



US00D813278S

(12) **United States Design Patent**  
**Savill, Jr.**

(10) **Patent No.:** **US D813,278 S**  
(45) **Date of Patent:** **\*\* Mar. 20, 2018**

- (54) **ELECTRODE**
- (71) Applicant: **OERLIKON METCO (US) INC.,**  
Westbury, NY (US)
- (72) Inventor: **Robert F. Savill, Jr.,** Levittown, NY  
(US)
- (73) Assignee: **OERLIKON METCO (US) INC.,**  
Westbury, NY (US)
- (\*\*) Term: **14 Years**
- (21) Appl. No.: **29/521,230**
- (22) Filed: **Mar. 20, 2015**

- D384,682 S \* 10/1997 Turner ..... D15/144
- D414,788 S \* 10/1999 Shintani ..... D15/144
- D417,459 S \* 12/1999 Shintani ..... D15/144
- D446,231 S \* 8/2001 Kuraoka ..... D15/144
- D446,530 S 8/2001 Kuraoka
- D446,795 S \* 8/2001 Shintani ..... D15/144
- D451,113 S \* 11/2001 Shintani ..... D15/144
- 6,559,407 B2 5/2003 Chancey
- D492,709 S \* 7/2004 Horner-Richardson .... D15/144
- D499,124 S \* 11/2004 Kuraoka ..... D15/144
- D500,064 S \* 12/2004 Kuraoka ..... D15/144
- D504,142 S \* 4/2005 Horner-Richardson .... D15/144
- D505,963 S 6/2005 Conway
- D517,577 S 3/2006 Conway
- D527,401 S 8/2006 Mizuno
- D535,672 S 1/2007 MacKenzie
- 7,176,404 B2 2/2007 Herres
- D551,182 S 9/2007 Furukawa
- D580,960 S \* 11/2008 Yamaguchi ..... D15/144

(Continued)

**Related U.S. Application Data**

- (62) Division of application No. 29/420,557, filed on May 10, 2012, now Pat. No. Des. 728,647.
- (51) **LOC (11) Cl.** ..... **15-09**
- (52) **U.S. Cl.**  
USPC ..... **D15/144**
- (58) **Field of Classification Search**  
USPC ..... D8/373; D15/144, 144.1, 144.2;  
D23/223, 263; 138/109, 120, 155, 177;  
219/76.16, 121.38, 121.44-121.55  
CPC ..... B23K 11/3009; H05H 1/34; H05H  
2001/3436; H05H 2001/3478  
See application file for complete search history.

(56) **References Cited**

**U.S. PATENT DOCUMENTS**

- D231,834 S 6/1974 Gulrich
- D269,519 S \* 6/1983 Braun ..... D15/138
- D362,860 S \* 10/1995 Carkhuff ..... D15/144
- D365,345 S \* 12/1995 Carkhuff ..... D15/144
- D371,058 S \* 6/1996 Walters ..... 219/119

*Primary Examiner* — Patricia A Palasik

(74) *Attorney, Agent, or Firm* — Greenblum & Bernstein, P.L.C.

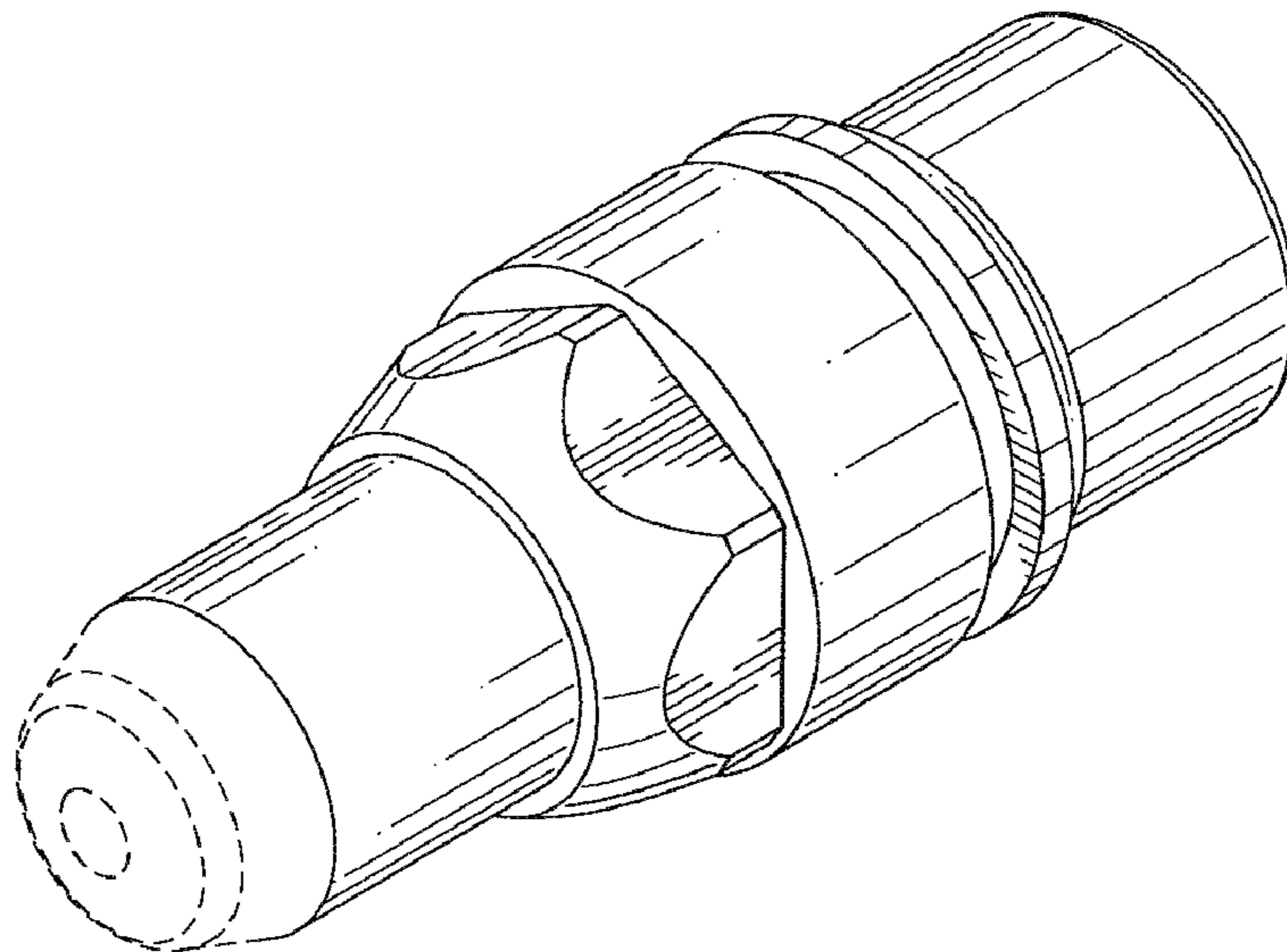
(57) **CLAIM**

I claim the ornamental design for an electrode, as shown and described.

**DESCRIPTION**

FIG. 1 shows a side view of an embodiment of an electrode; FIG. 2 shows a front view of FIG. 1; FIG. 3 shows a rear view of FIG. 1; FIG. 4 shows a front side perspective view of FIG. 1; FIG. 5 shows another front side perspective view of FIG. 1; FIG. 6 shows a back side perspective view of FIG. 1; and, FIG. 7 shows another back side perspective view of FIG. 1. The broken lines in the drawings depict unclaimed environmental subject matter.

**1 Claim, 3 Drawing Sheets**



(56)

**References Cited**

U.S. PATENT DOCUMENTS

D582,950	S	12/2008	Yamaguchi	
D582,951	S	12/2008	Yamaguchi	
D582,952	S	12/2008	Yamaguchi	
D647,548	S	10/2011	Savill, Jr.	
D653,270	S	1/2012	Furujo	
D654,104	S	2/2012	Fitzpatrick	
D670,247	S	11/2012	Savill, Jr.	
D675,171	S	1/2013	Tanaka	
D687,874	S	8/2013	Furujo	
D720,784	S *	1/2015	Hassan	D15/144
D721,111	S *	1/2015	Hassan	D15/144
D728,647	S *	5/2015	Savill, Jr.	D15/144
D728,649	S *	5/2015	Hassan	D15/144
D733,776	S *	7/2015	Buttiker	D15/144
2009/0057277	A1	3/2009	Ranault	
2010/0237050	A1	9/2010	Zehavi	
2010/0264120	A1	10/2010	Reinke	

\* cited by examiner

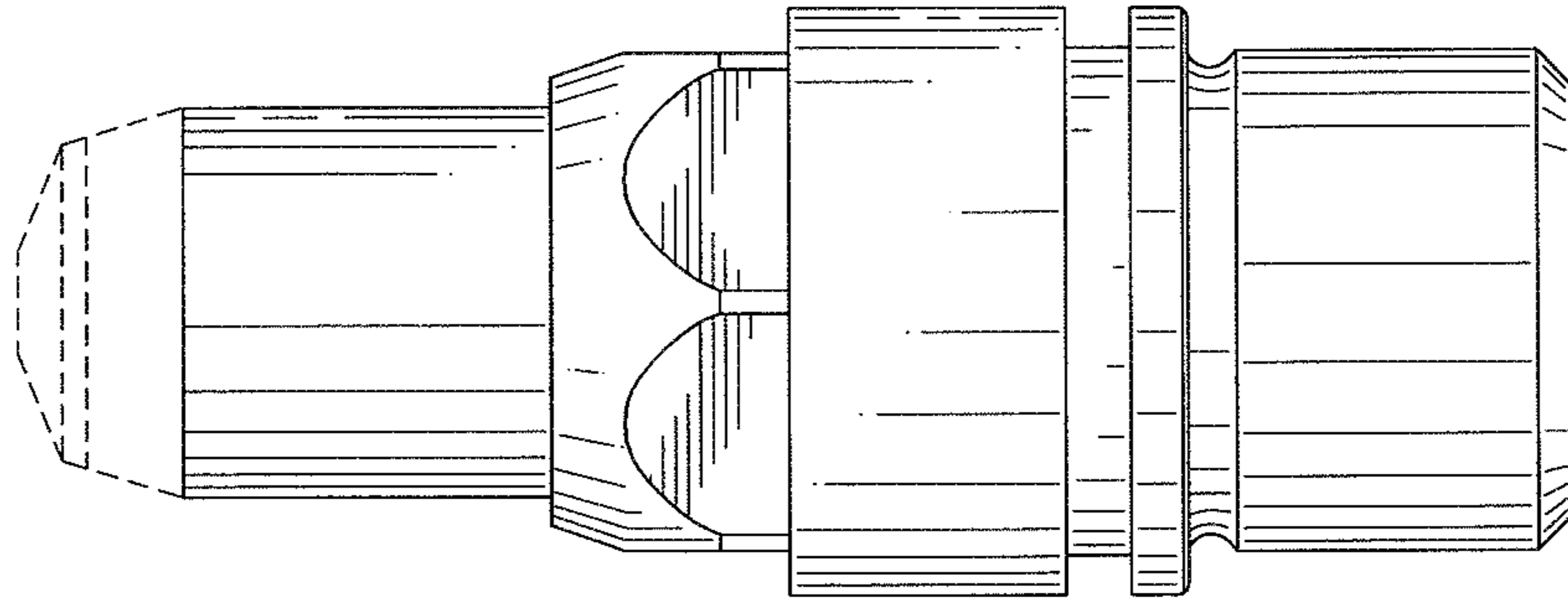


FIG. 1

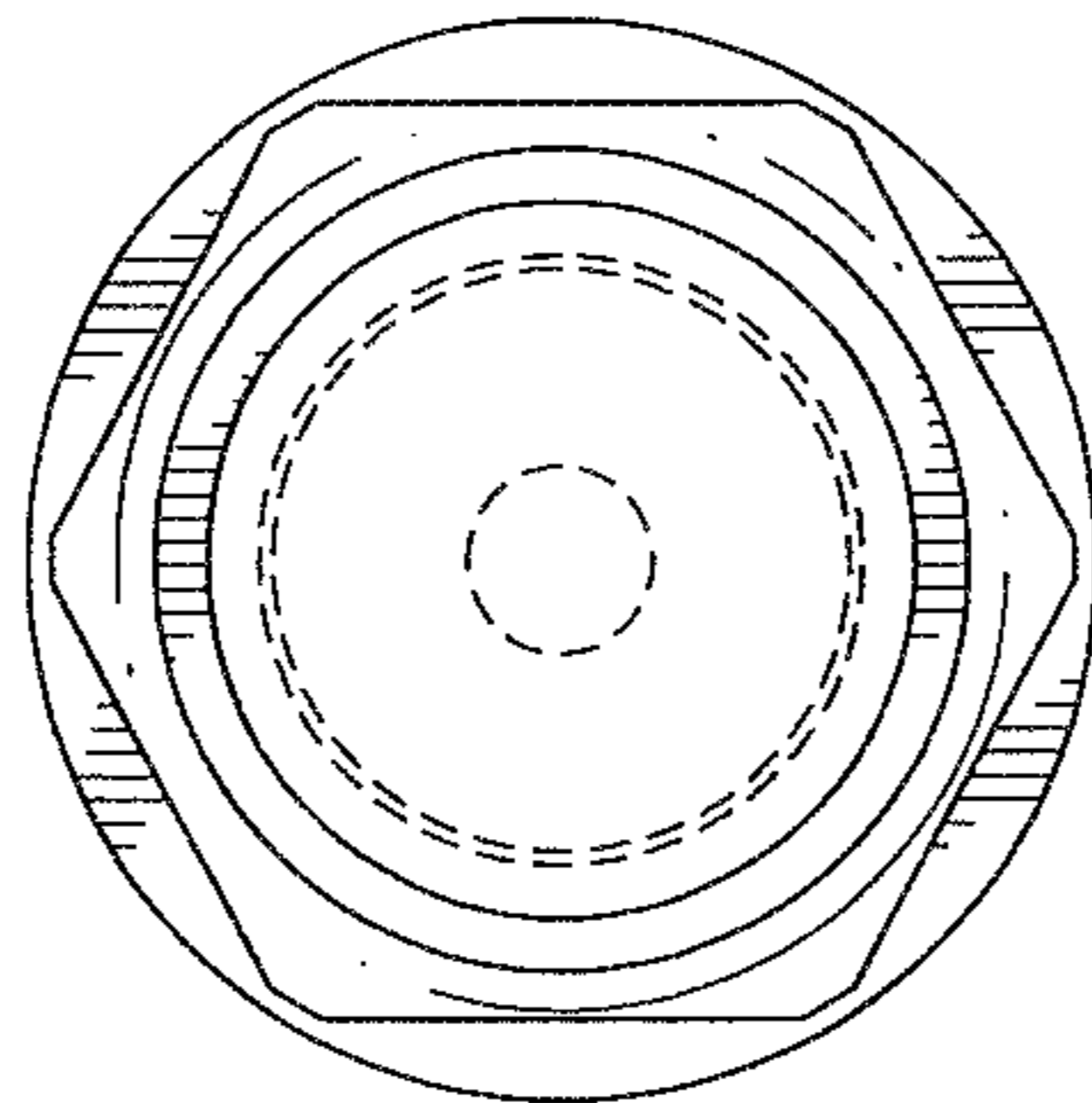


FIG. 2

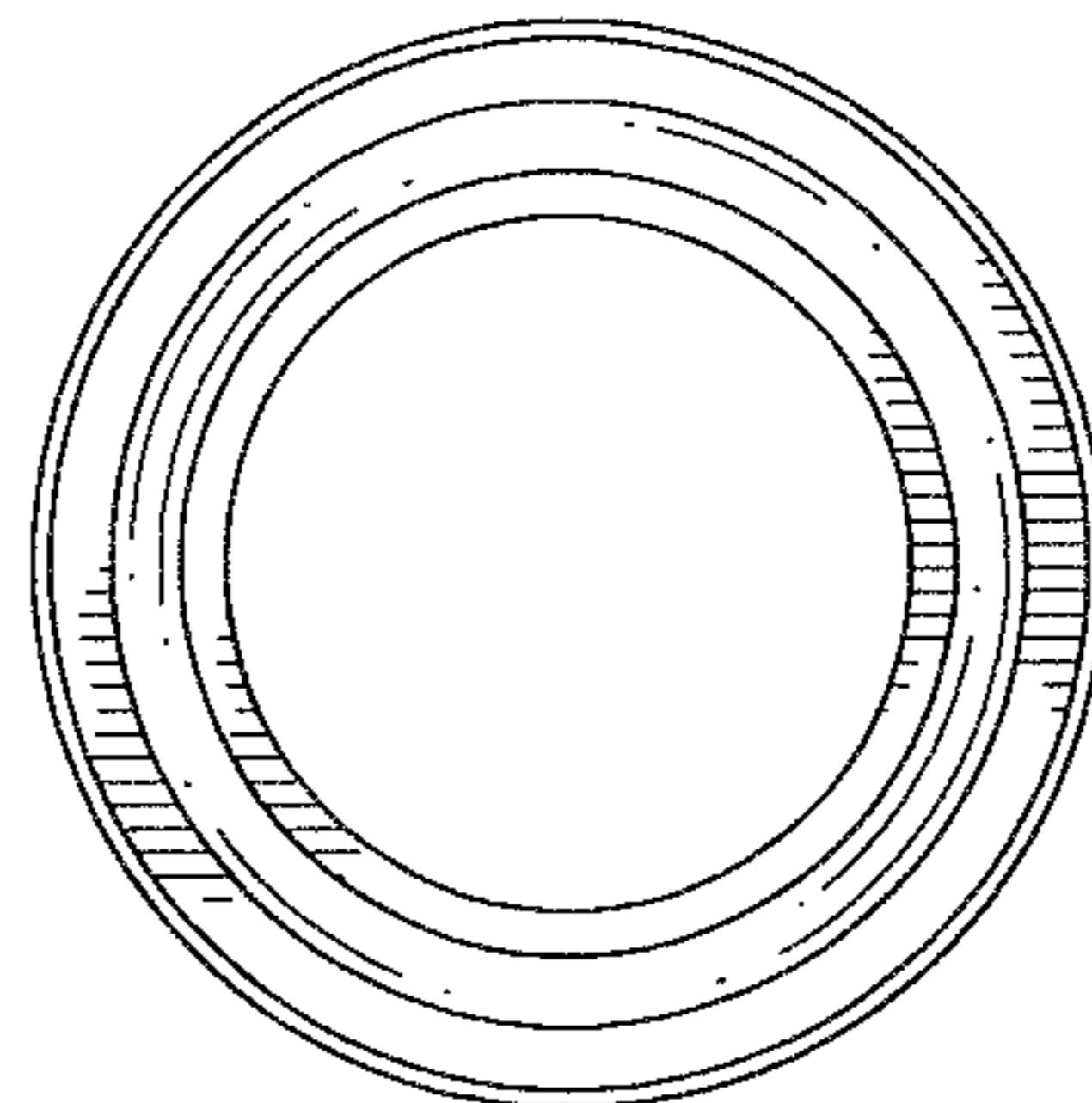


FIG. 3

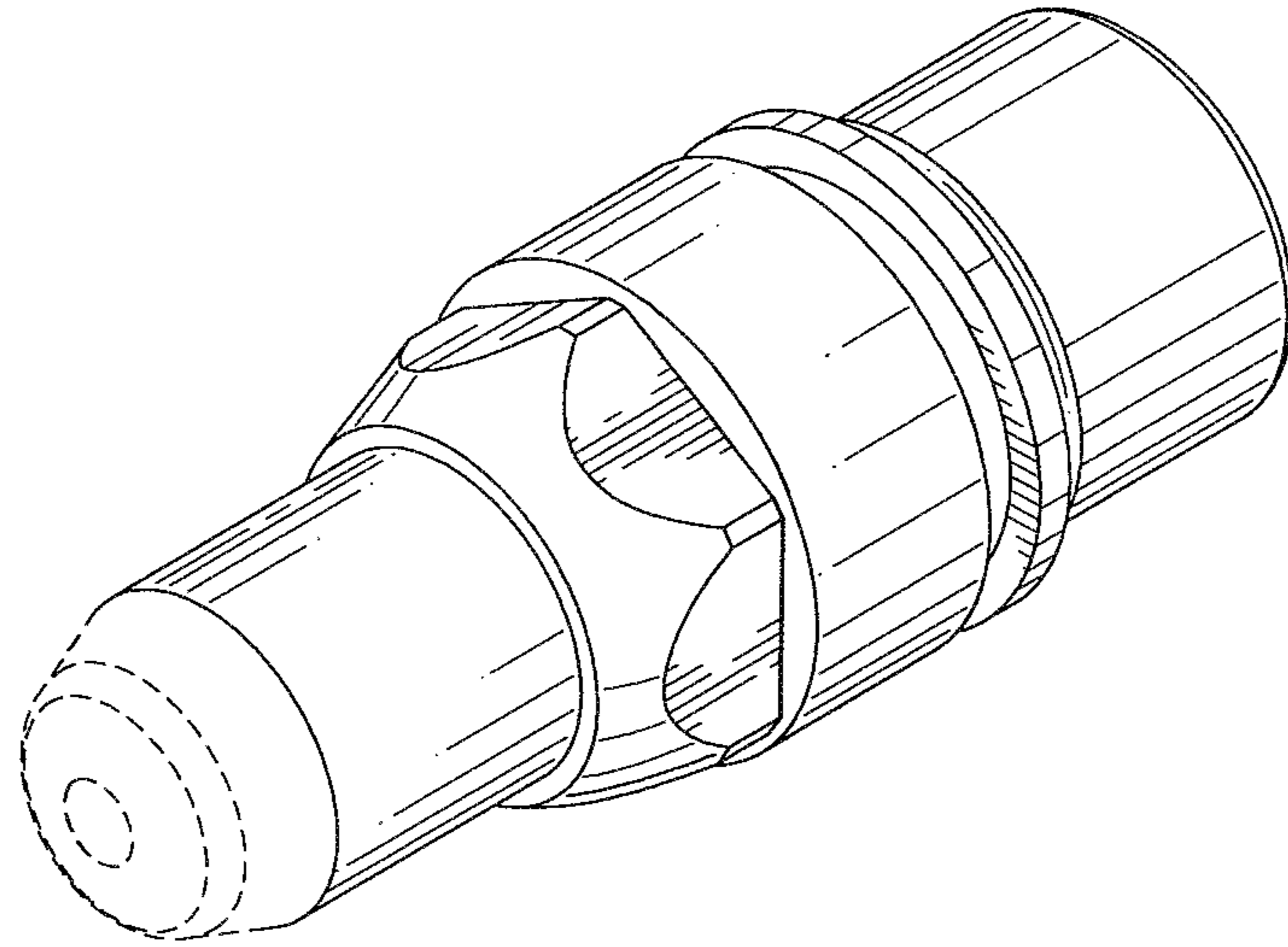


FIG. 4

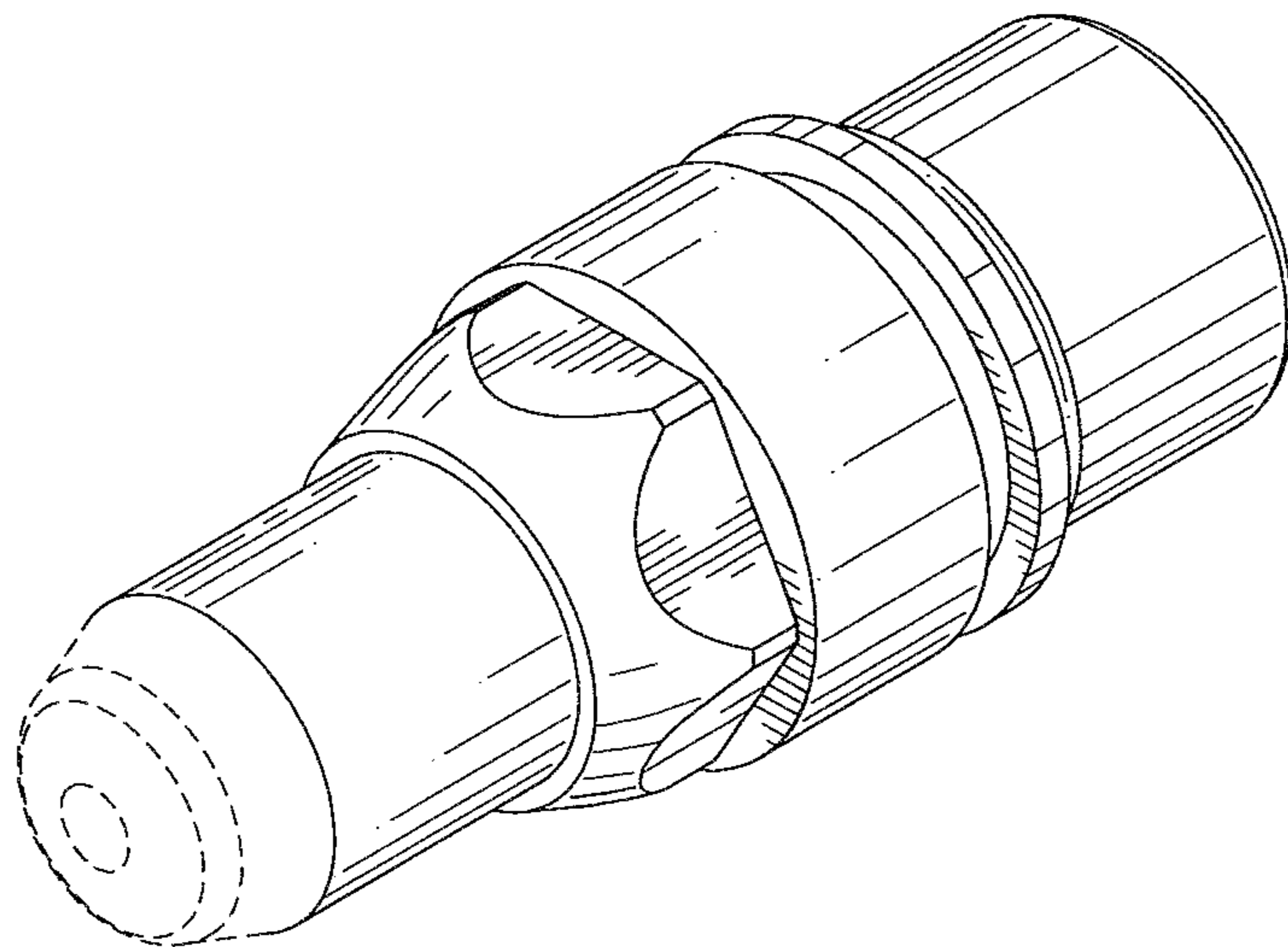


FIG. 5

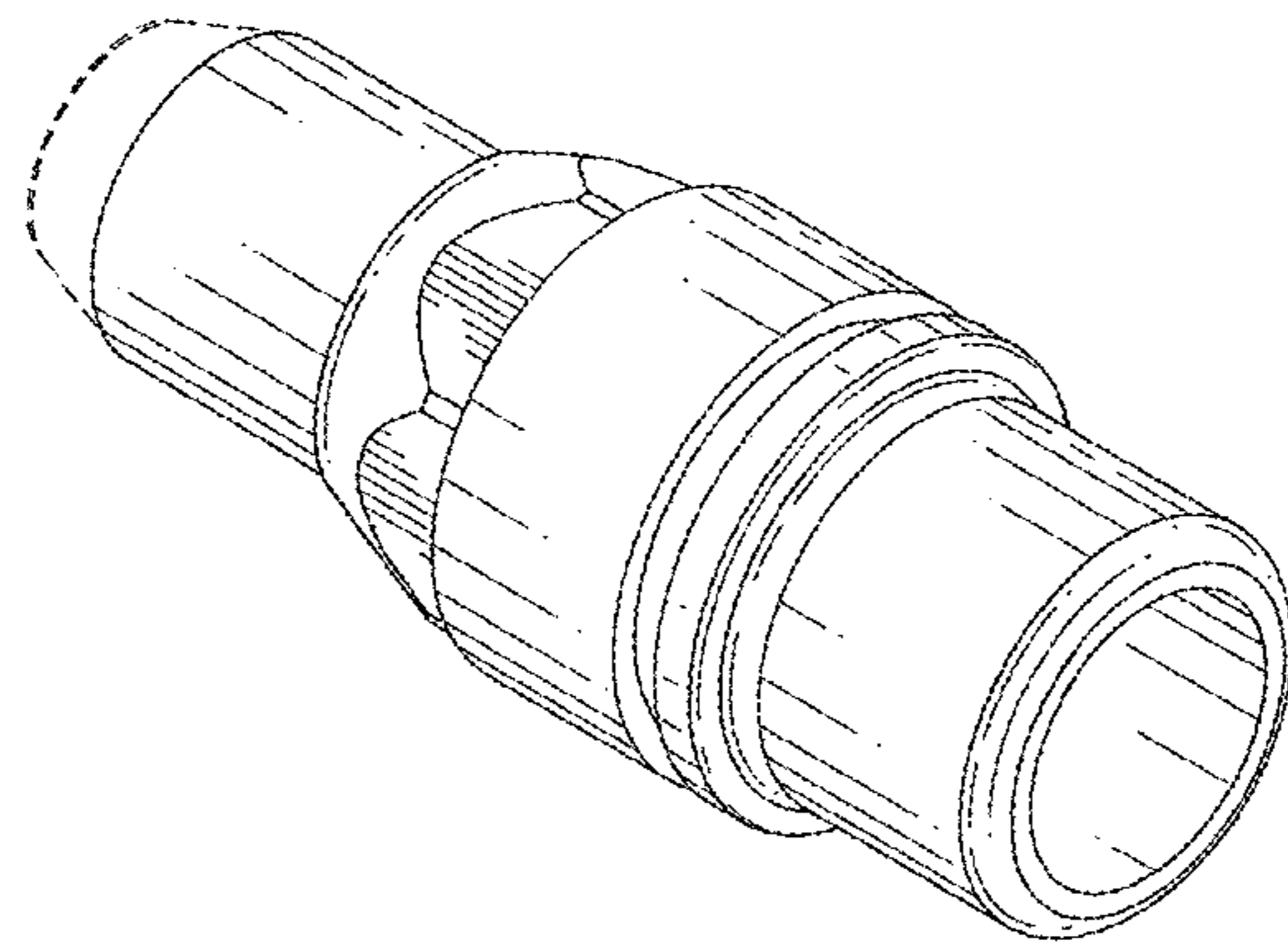


FIG. 6

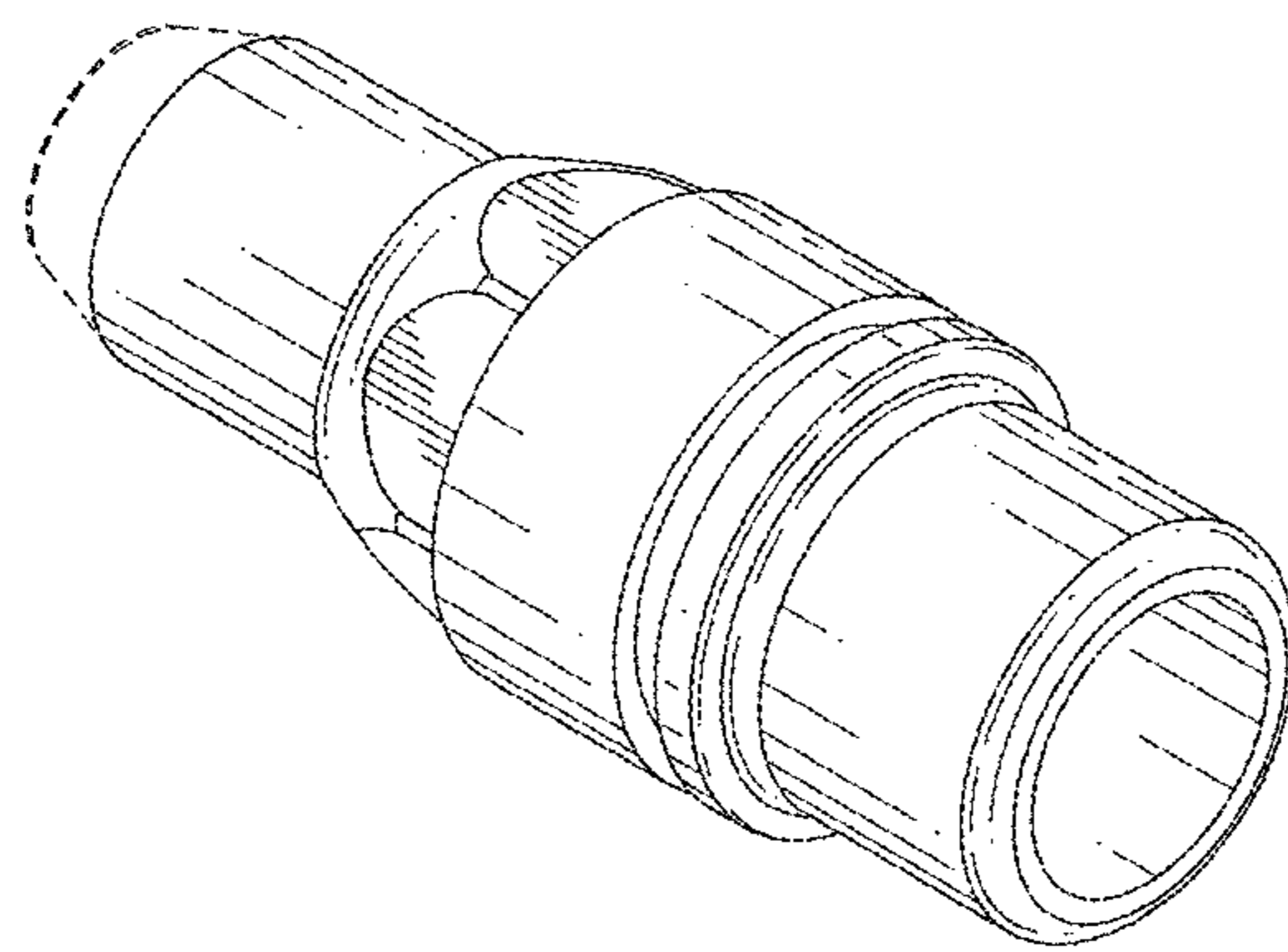


FIG. 7