



US00D813276S

(12) **United States Design Patent**
Yuan et al.

(10) **Patent No.:** **US D813,276 S**
(45) **Date of Patent:** **** Mar. 20, 2018**

(54) **BICYCLE PUMP**

(71) Applicants: **Brandon V. Yuan**, Elk Grove Village, IL (US); **Vincent Yuan**, Elk Grove Village, IL (US)

(72) Inventors: **Brandon V. Yuan**, Elk Grove Village, IL (US); **Vincent Yuan**, Elk Grove Village, IL (US)

(**) Term: **15 Years**

(21) Appl. No.: **29/603,574**

(22) Filed: **May 10, 2017**

(51) **LOC (11) Cl.** **15-02**

(52) **U.S. Cl.**
USPC **D15/7**

(58) **Field of Classification Search**
USPC D15/7-9; D23/231, 232, 225; 417/60, 417/235, 265, 321, 355, 358, 363, 359, 417/410.1, 415-416, 405, 900, 269, 539; 60/408, 412; 184/26-37; 415/140-147; 123/495, 509; 137/565.34
CPC F02M 37/04; F02M 37/14; F04B 53/92; F04B 1/005; F04D 13/06; F04D 29/22; F04D 29/046; F04D 29/2266
See application file for complete search history.

(56) **References Cited**

U.S. PATENT DOCUMENTS

D342,263 S * 12/1993 Harrell, Jr. D15/7
D351,896 S * 10/1994 Sundheim D15/7

D632,307 S * 2/2011 Wang D15/7
D686,639 S * 7/2013 Dooley D15/7
D744,002 S * 11/2015 Scott D15/7
D745,570 S * 12/2015 Scott D15/7

* cited by examiner

Primary Examiner — Ralf Seifert

(74) *Attorney, Agent, or Firm* — Neal, Gerber & Eisenberg LLP

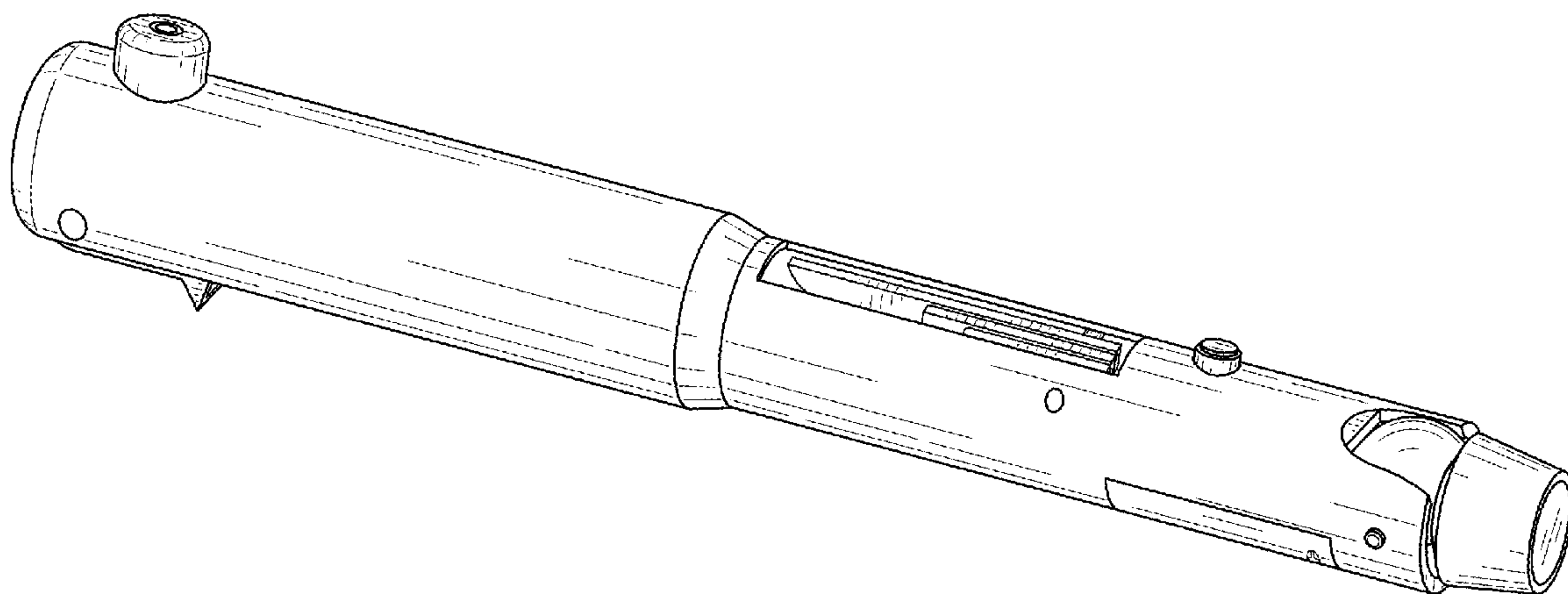
(57) **CLAIM**

The ornamental design for a bicycle pump, as shown and described.

DESCRIPTION

FIG. 1 is a perspective view of a bicycle pump, embodying our new design;
FIG. 2 is right side elevation view thereof;
FIG. 3 is a left side elevation view thereof;
FIG. 4 is a rear elevation view thereof;
FIG. 5 is a front elevation view thereof;
FIG. 6 is a top plan view thereof; and
FIG. 7 is a bottom plan view thereof; and,
FIG. 8 is another perspective view thereof showing an alternate position of multiple elements of the design.

1 Claim, 4 Drawing Sheets



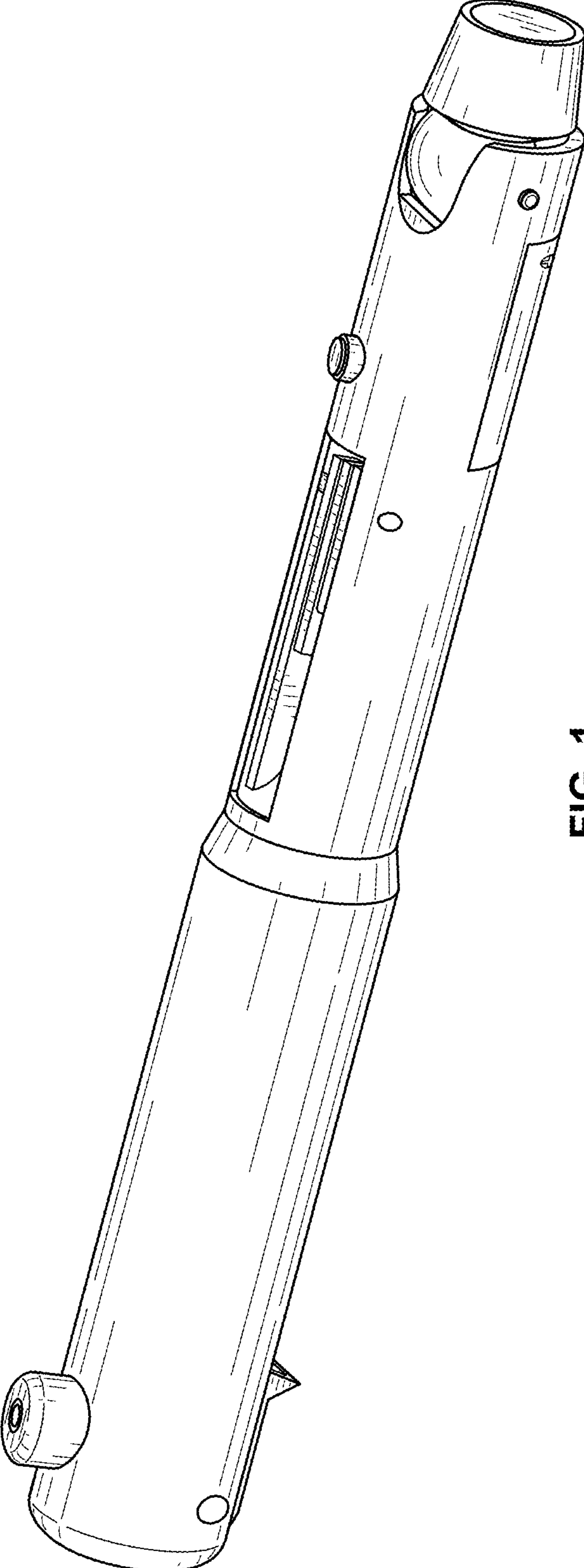


FIG. 1

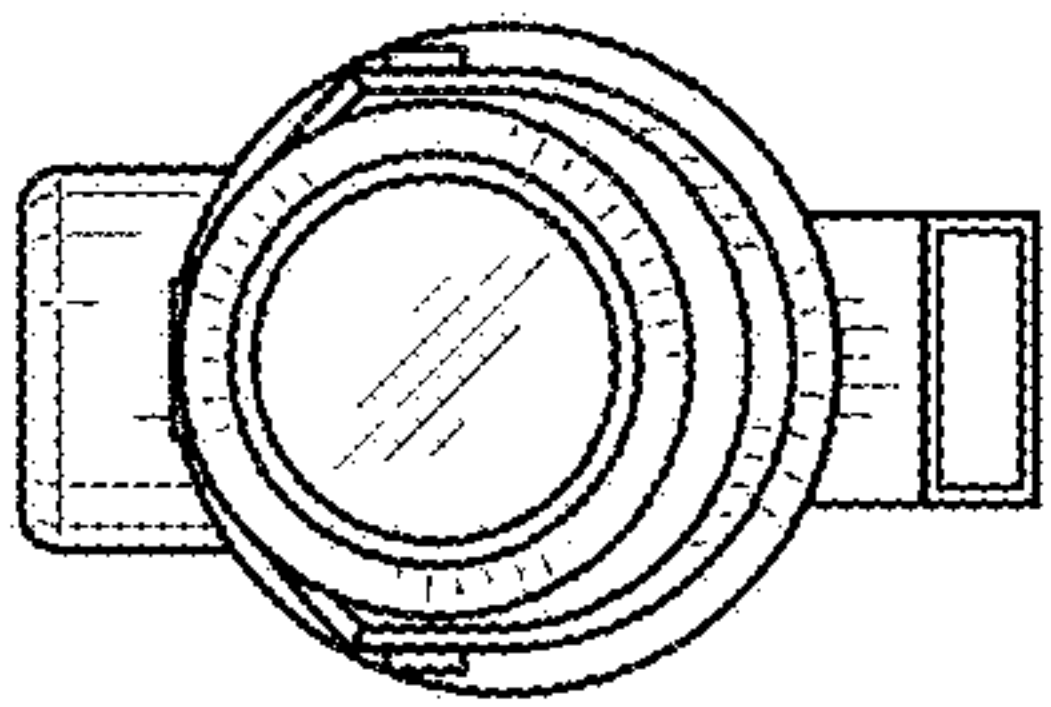


FIG. 2

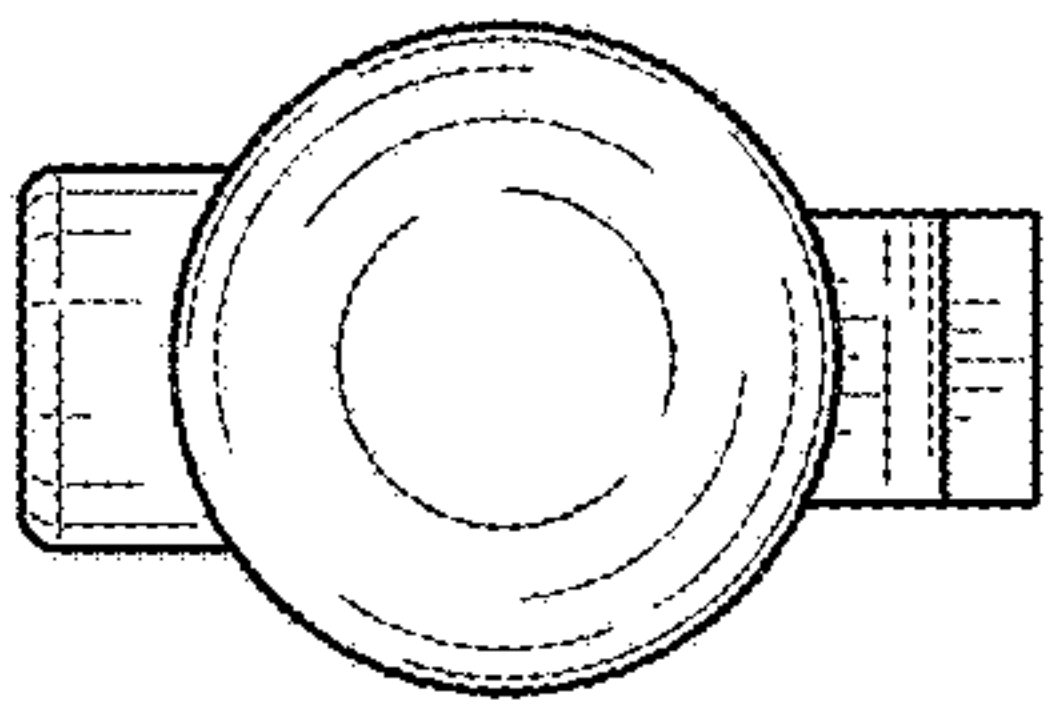


FIG. 3

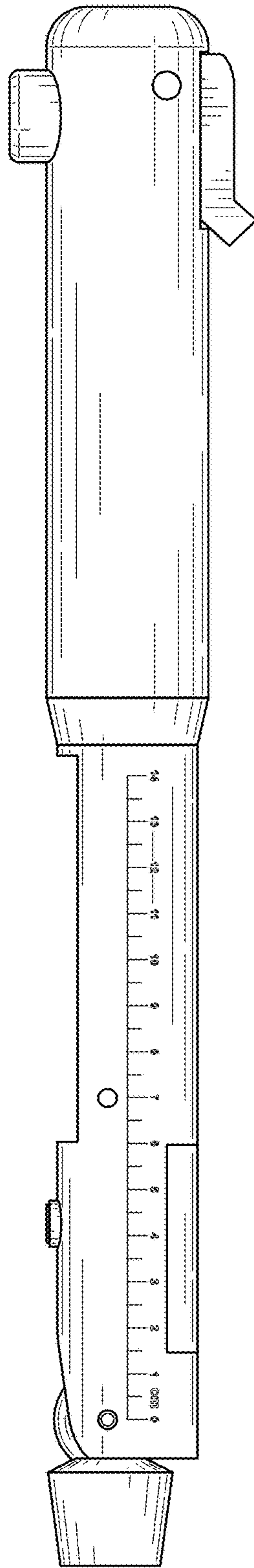


FIG. 4

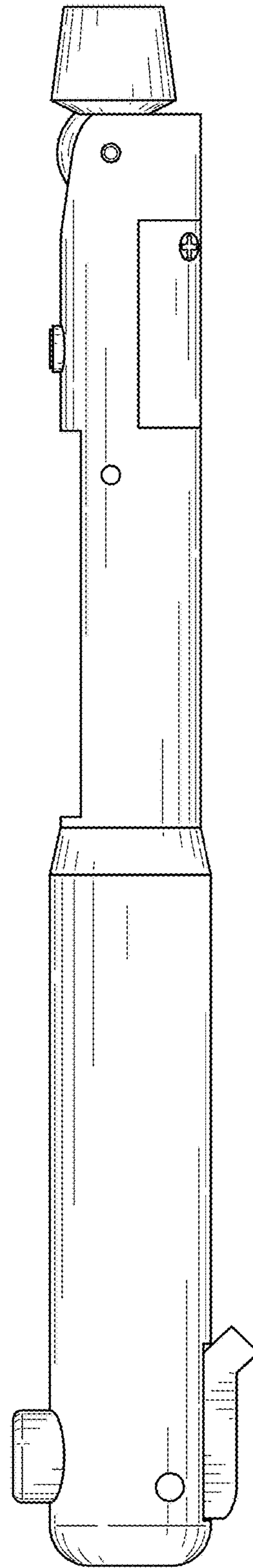


FIG. 5

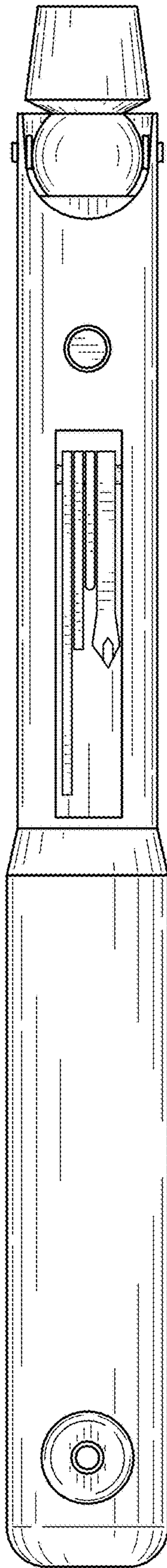


FIG. 6

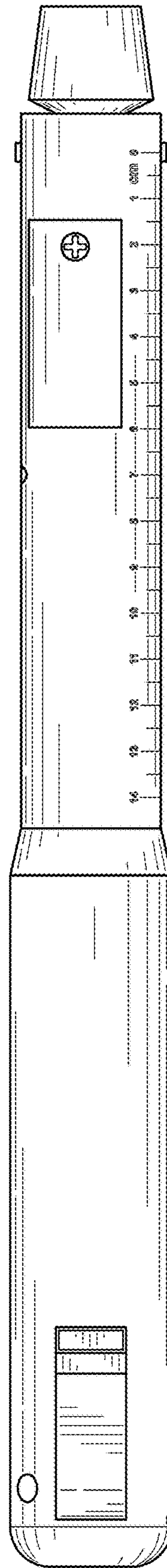


FIG. 7

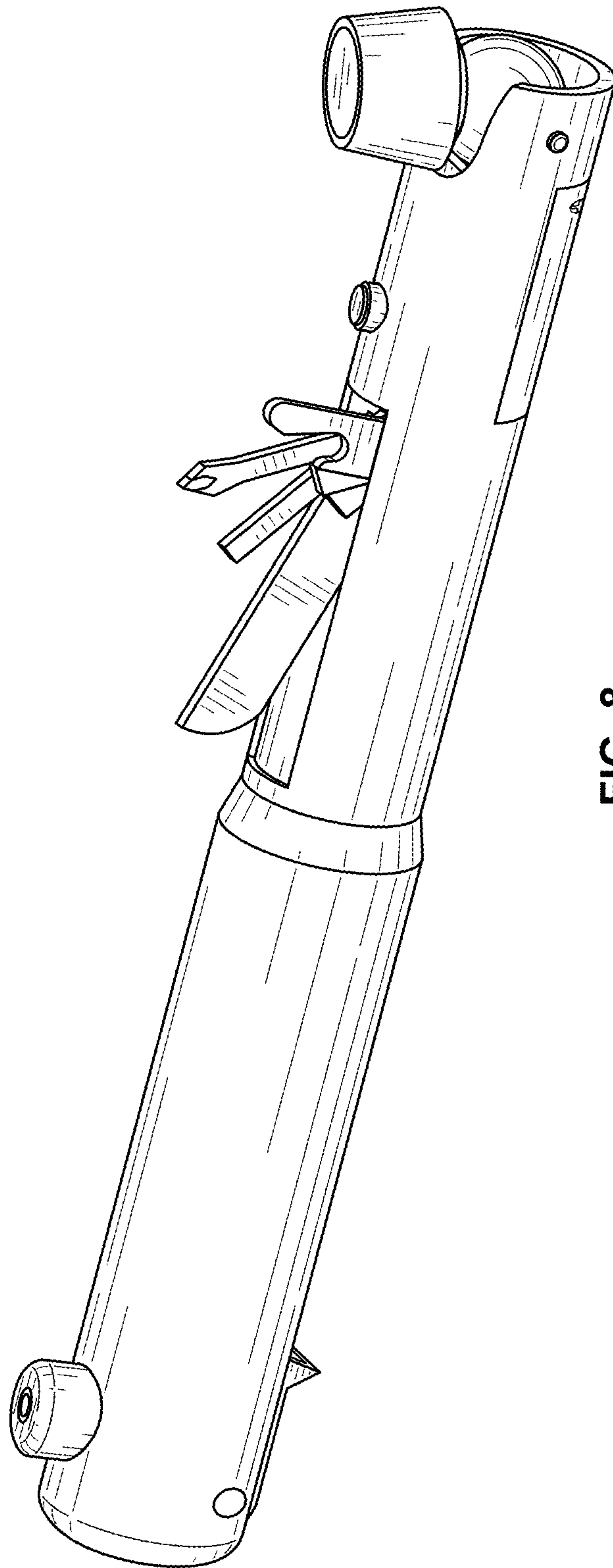


FIG. 8