



US00D813275S

(12) **United States Design Patent**
Lüke

(10) **Patent No.:** **US D813,275 S**
(45) **Date of Patent:** **** Mar. 20, 2018**

(54) **PUMP**

(71) Applicant: **OASE GmbH**, Hörstel-Riesenbeck (DE)

(72) Inventor: **Wilfried Lüke**, Schloß Holte-Stukenbrock (DE)

(73) Assignee: **OASE GmbH**, Hörstel-Riesenbeck (DE)

(**) Term: **15 Years**

(21) Appl. No.: **29/562,685**

(22) Filed: **Apr. 28, 2016**

(30) **Foreign Application Priority Data**

Oct. 28, 2015 (EM) 002840405-0004

(51) **LOC (11) Cl.** **15-02**

(52) **U.S. Cl.**
USPC **D15/7**

(58) **Field of Classification Search**

USPC D15/7-9; D23/231, 232, 225; 417/60, 417/235, 265, 321, 355, 358, 363, 359, 417/410.1, 415-416, 405, 900, 269, 539; 60/408, 412; 184/26-37; 415/140-147; 123/495, 509; 137/565.34
CPC F02M 37/04; F02M 37/14; F04B 53/92; F04B 1/005

See application file for complete search history.

(56) **References Cited**

U.S. PATENT DOCUMENTS

D327,075 S * 6/1992 Tiedemann D15/7
D660,320 S * 5/2012 Varini D15/7
D698,369 S * 1/2014 Meza D15/7
D708,648 S * 7/2014 Orsini D15/7
D726,771 S * 4/2015 Pansegrouw D15/7

* cited by examiner

Primary Examiner — Ralf T Seifert

(74) *Attorney, Agent, or Firm* — Gudrun E. Hockett

(57) **CLAIM**

The ornamental design for a pump, as shown and described.

DESCRIPTION

FIG. 1 is a perspective top view of a pump showing my new design;

FIG. 2 is a front elevational view thereof;

FIG. 3 is a rear elevational view thereof;

FIG. 4 is a top plan view thereof,

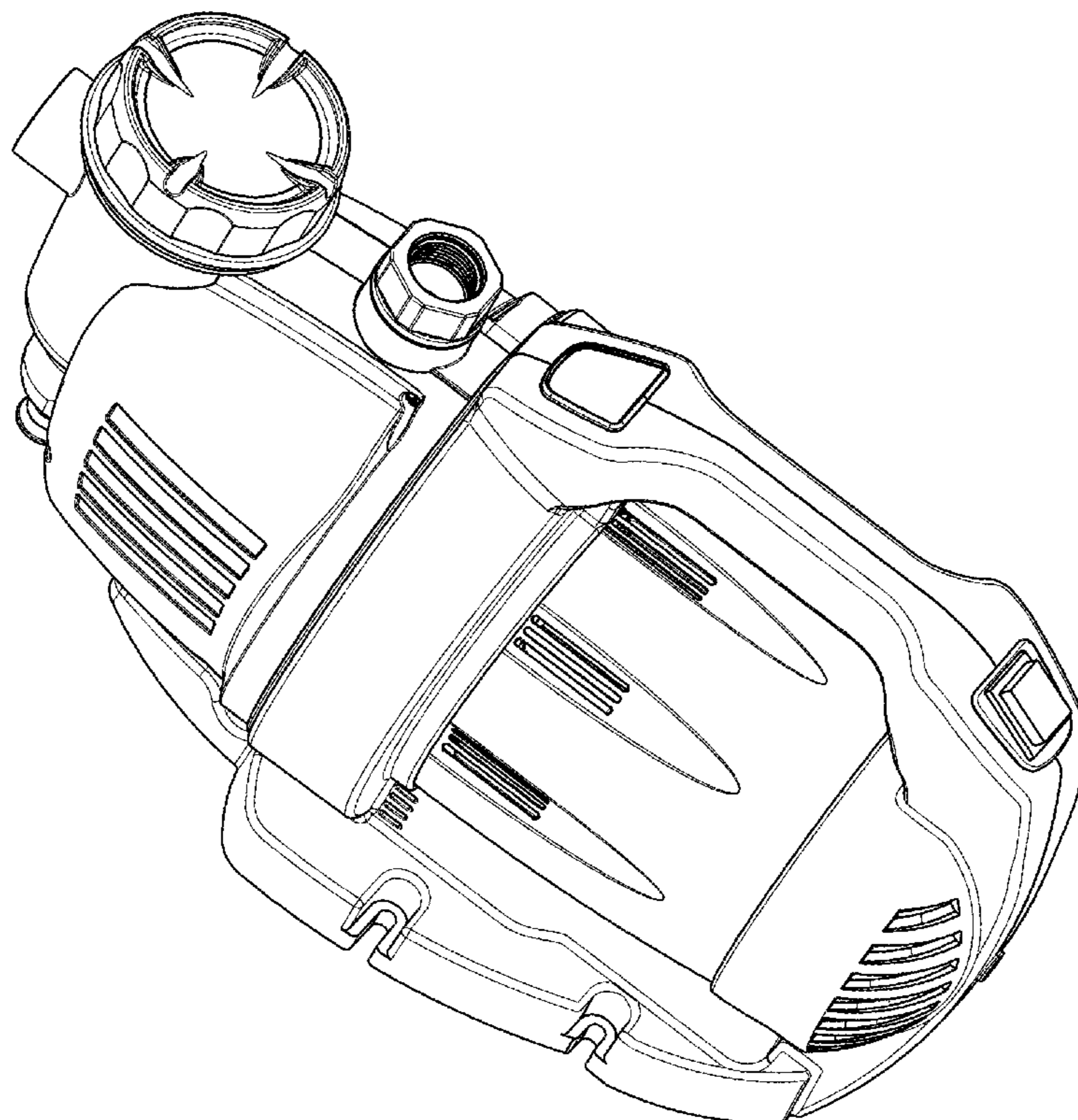
FIG. 5 is a bottom plan view thereof;

FIG. 6 is a left elevational view thereof; and,

FIG. 7 is a right elevational view thereof.

The broken lines are included for the purpose of illustrating portions of the pump that form no part of the claimed design.

1 Claim, 7 Drawing Sheets



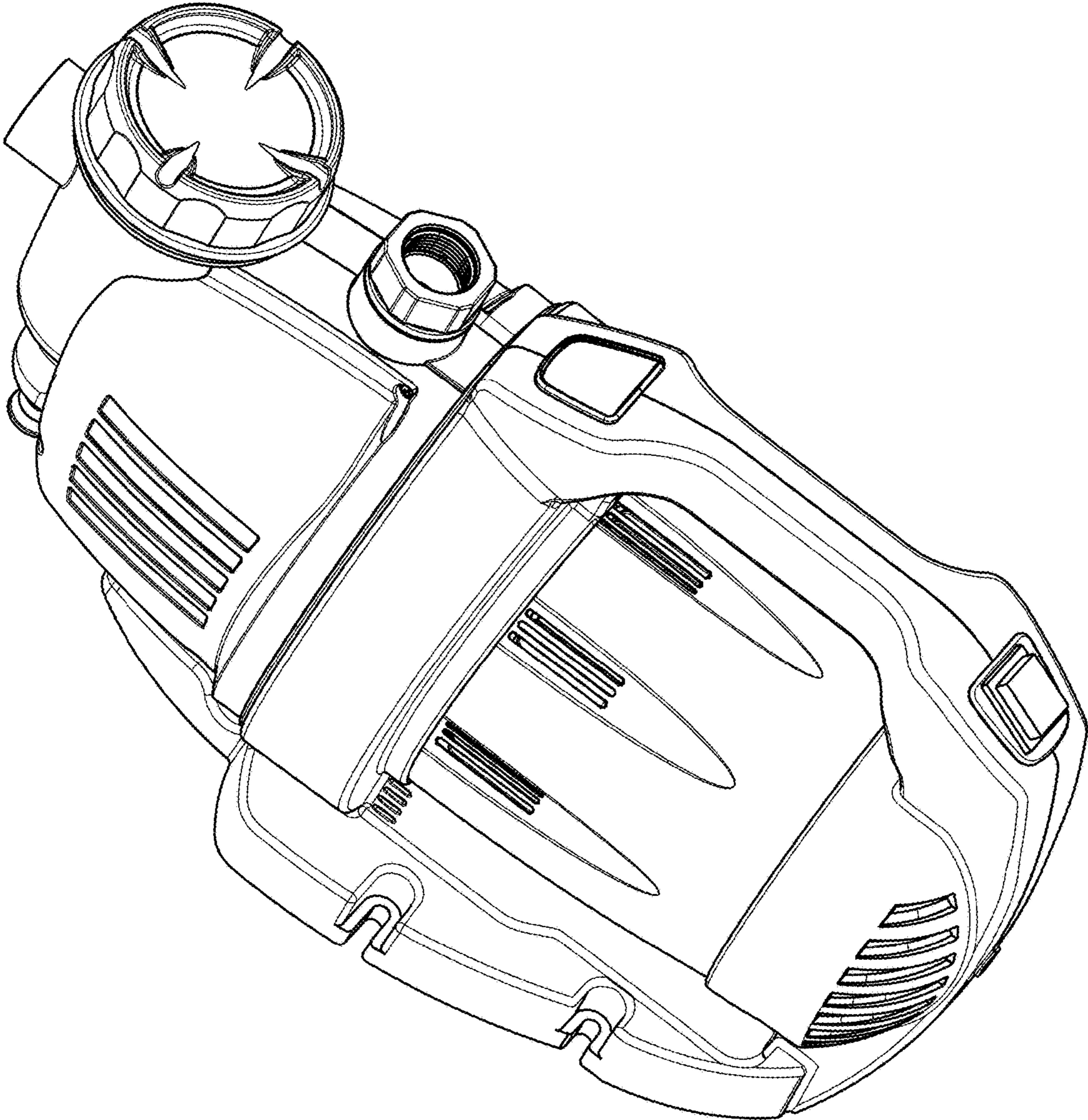


Fig. 1

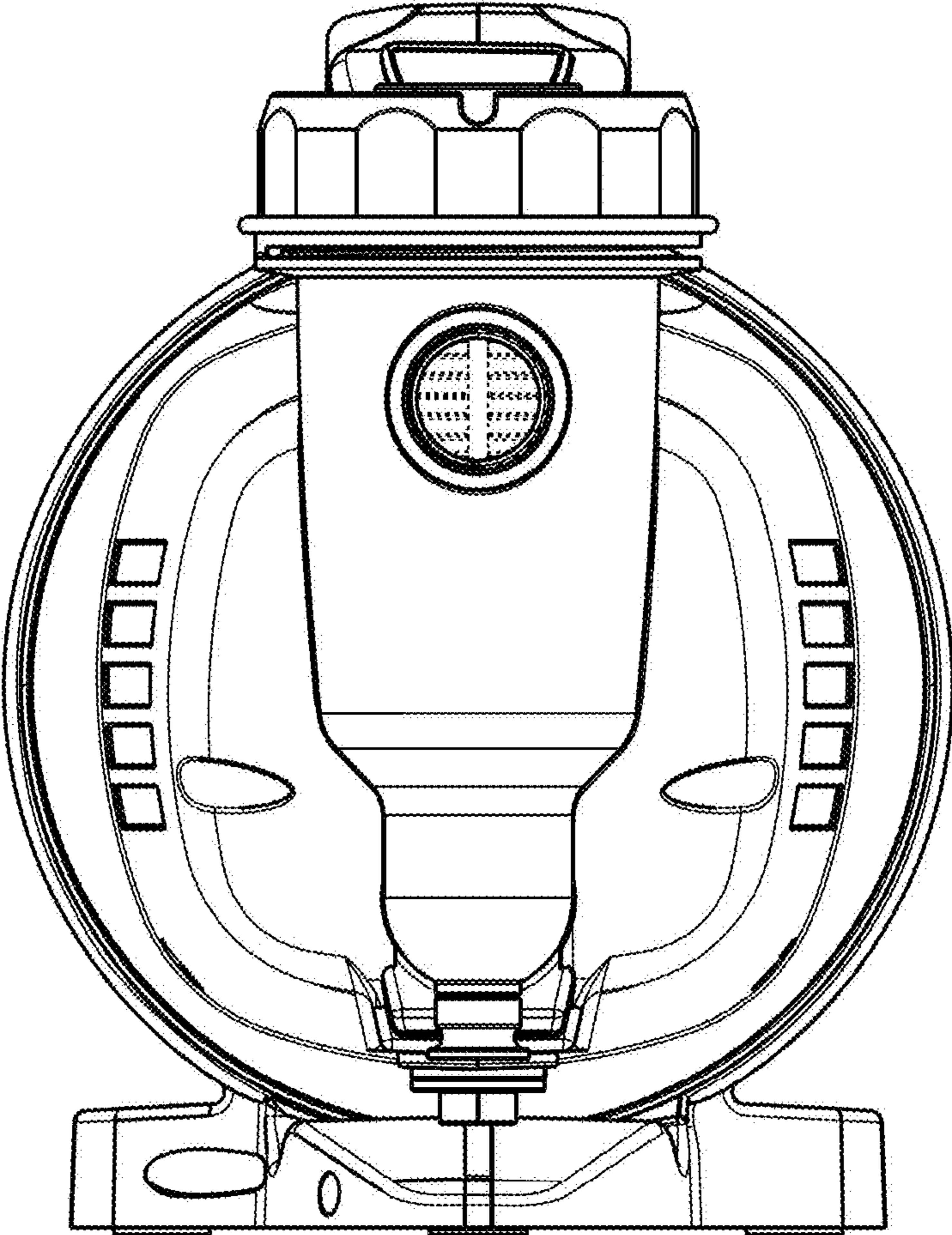


Fig. 2

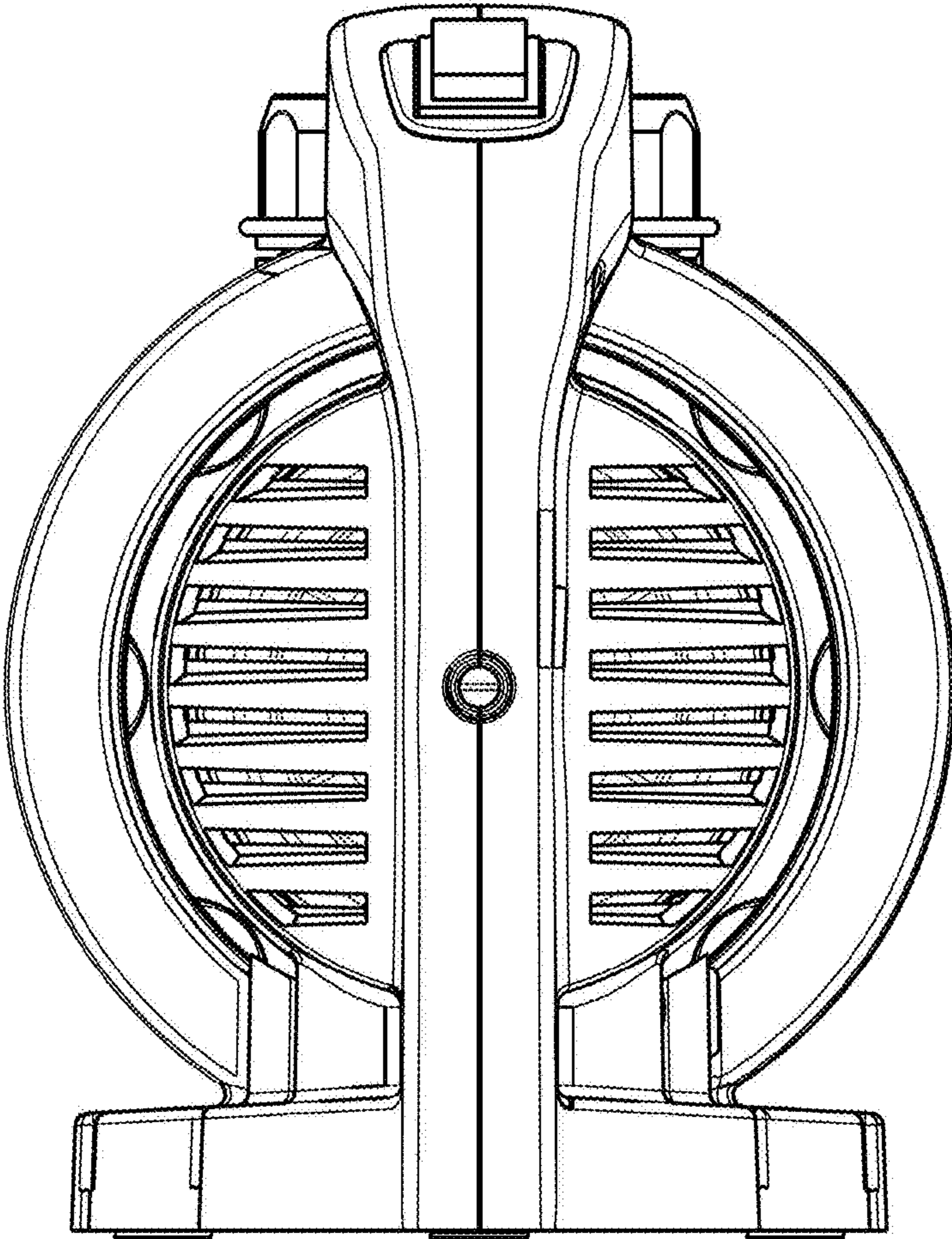


Fig. 3

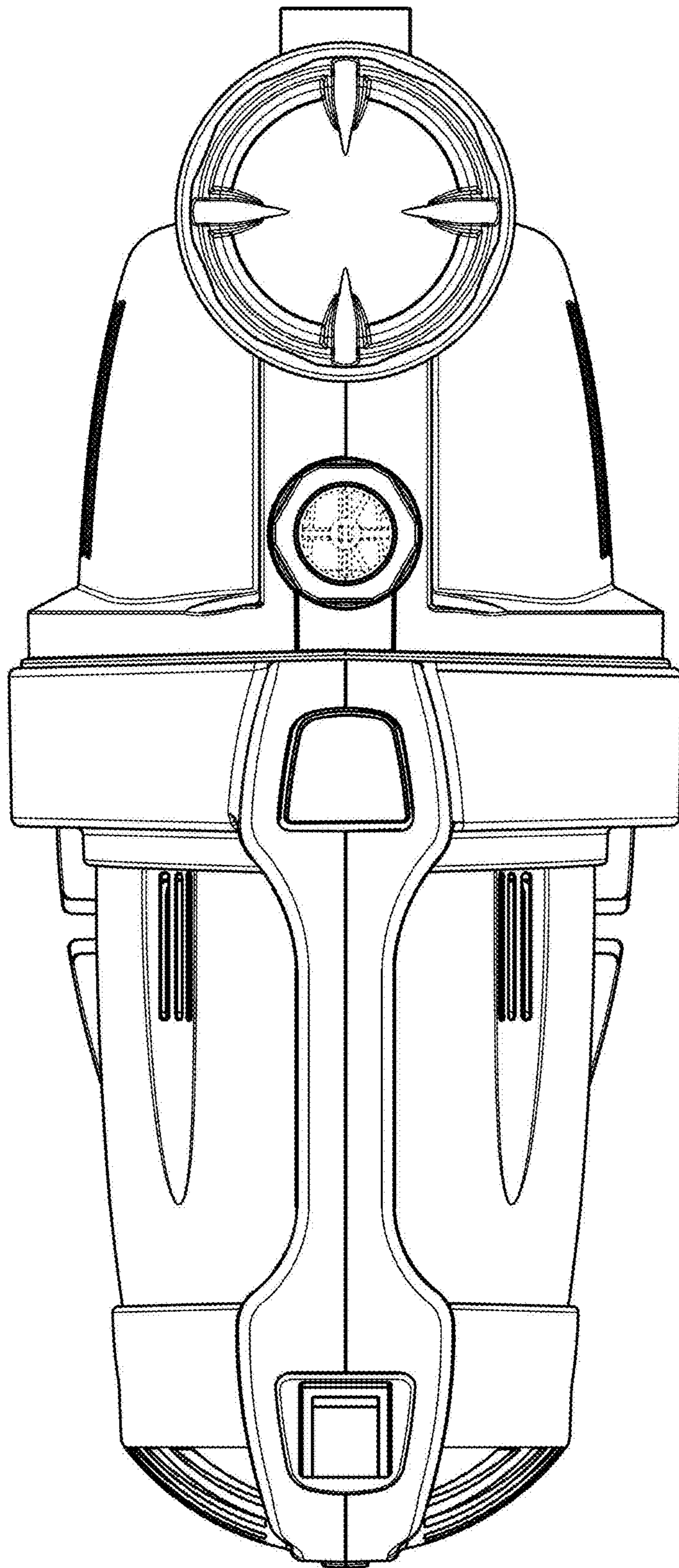


Fig. 4

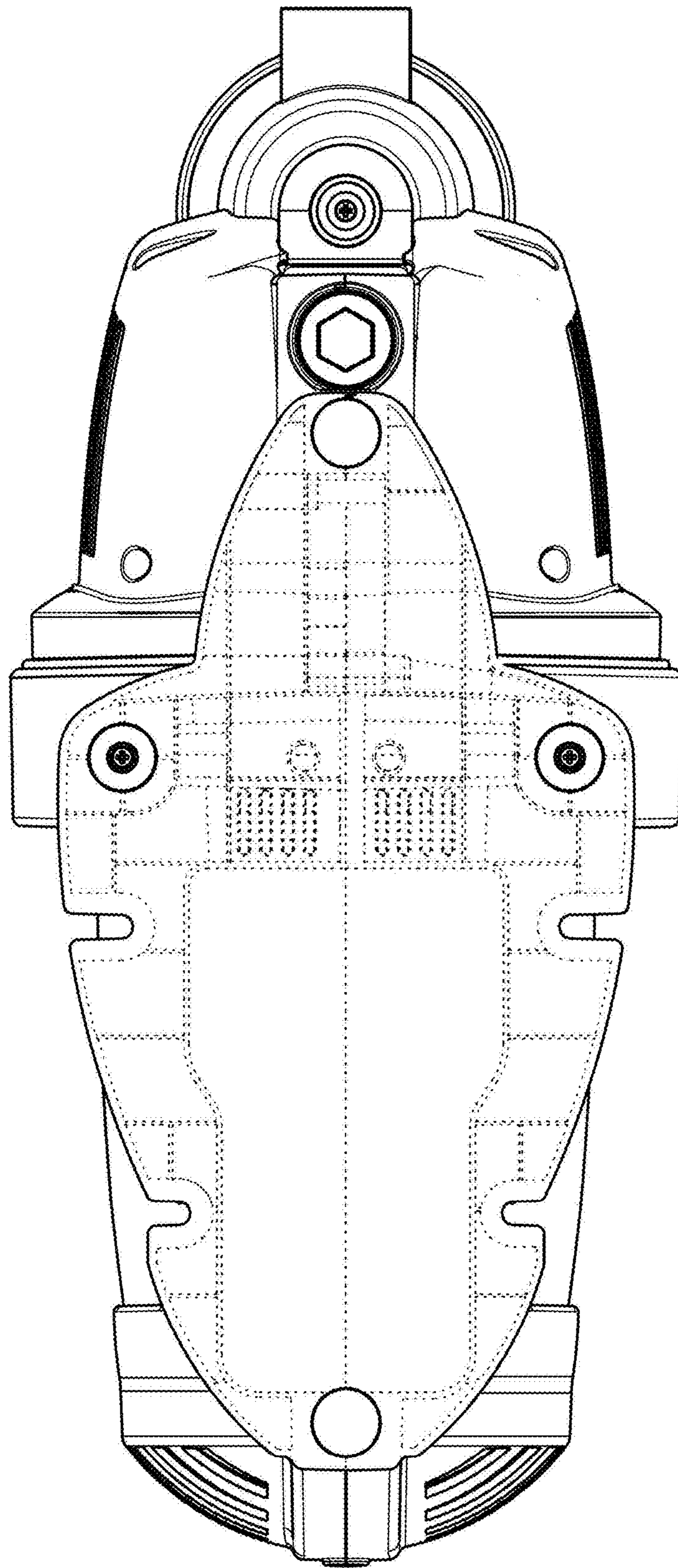


Fig. 5

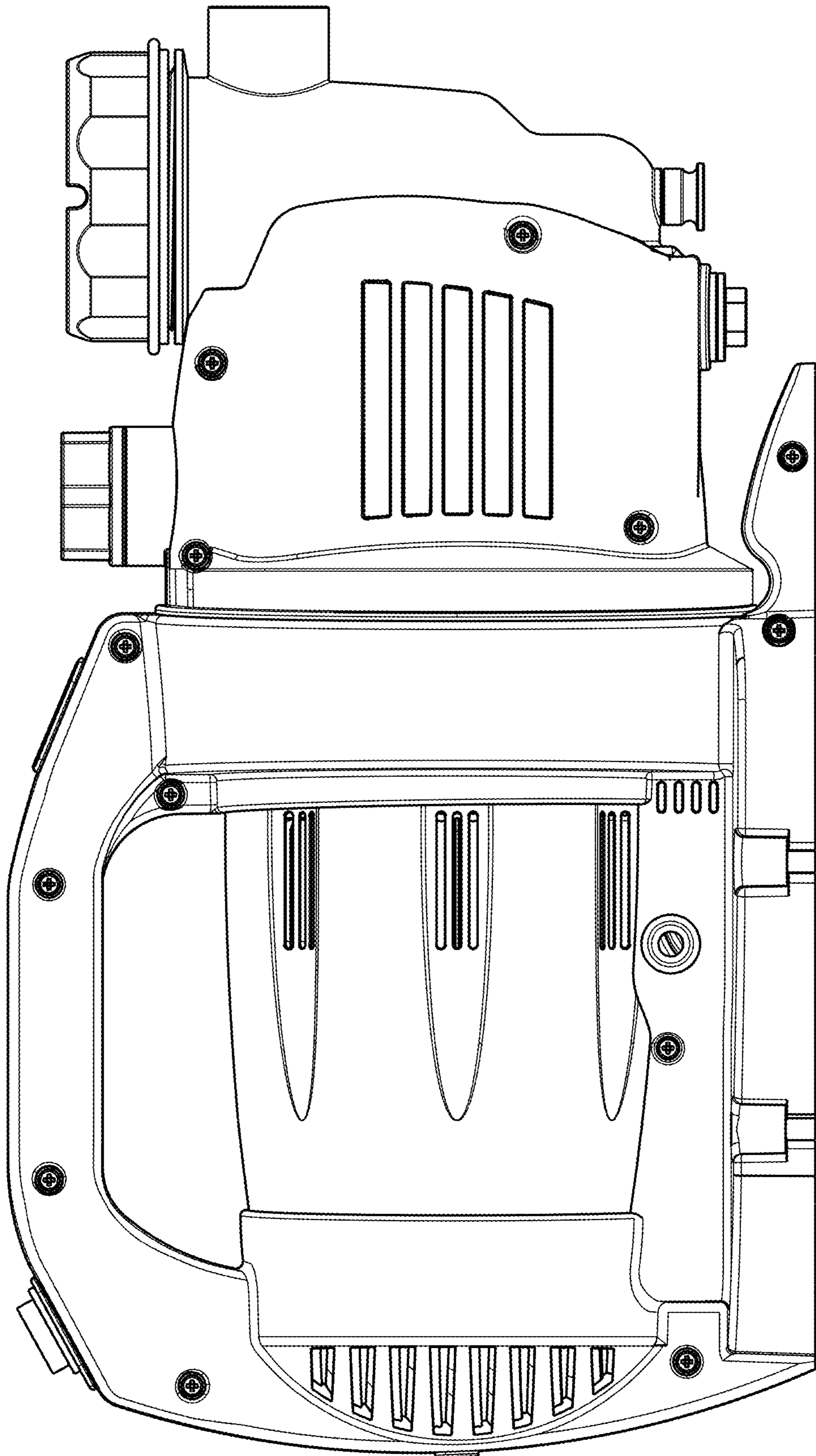


Fig. 6

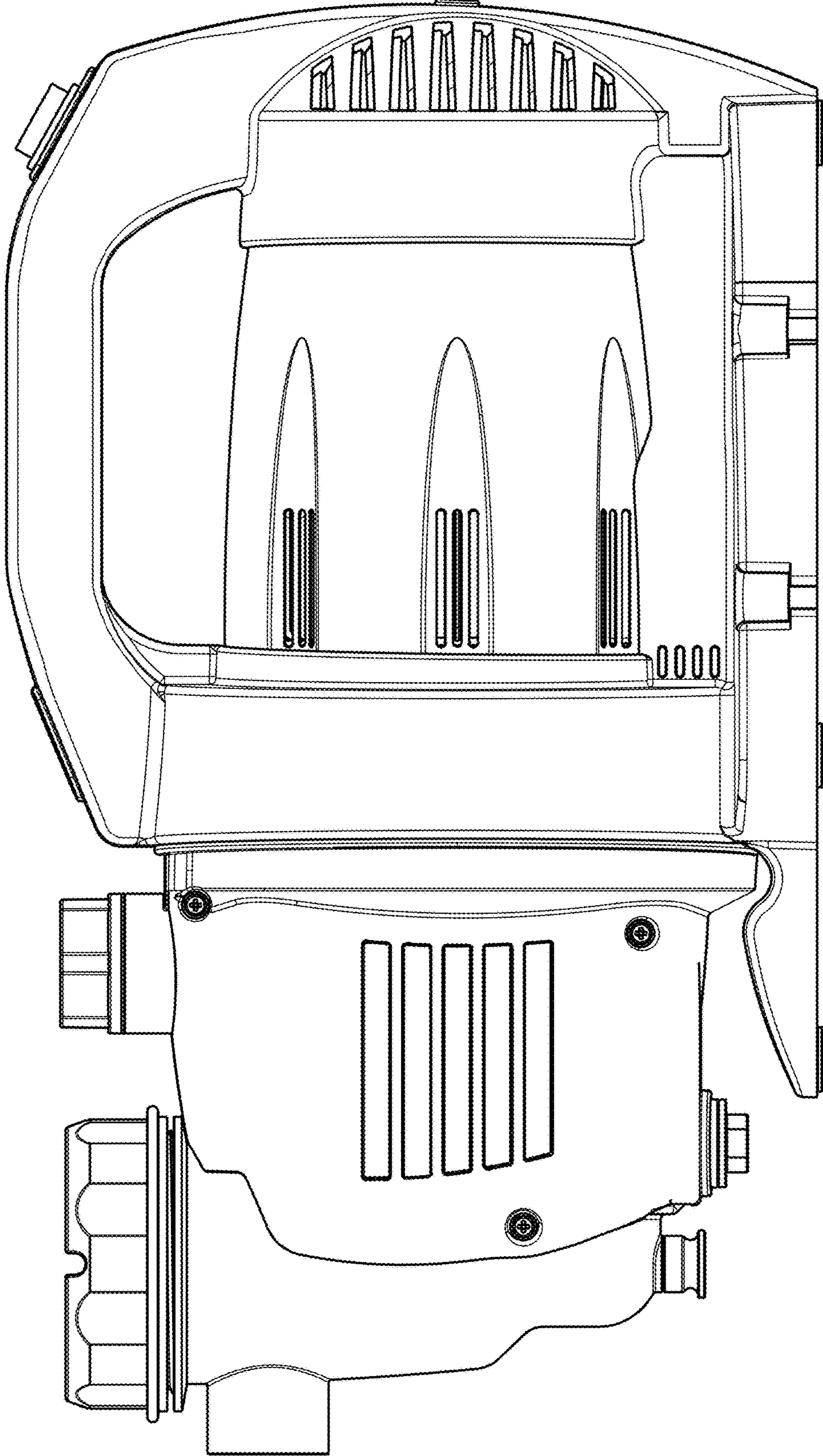


Fig. 7