



US00D813274S

(12) **United States Design Patent**
Platt et al.

(10) **Patent No.:** **US D813,274 S**
(45) **Date of Patent:** **** *Mar. 20, 2018**

- (54) **ENGINE AIR CLEANER HOUSING**
- (71) Applicants: **Richard Booth Platt**, Grosse Pointe Farms, MI (US); **Richard Booth Platt, Jr.**, Huntington Woods, MI (US)
- (72) Inventors: **Richard Booth Platt**, Grosse Pointe Farms, MI (US); **Richard Booth Platt, Jr.**, Huntington Woods, MI (US)
- (*) Notice: This patent is subject to a terminal disclaimer.
- (**) Term: **14 Years**
- (21) Appl. No.: **29/510,059**
- (22) Filed: **Nov. 24, 2014**
- (51) **LOC (11) Cl.** **15-01**
- (52) **U.S. Cl.**
USPC **D15/5**
- (58) **Field of Classification Search**
USPC D15/1-6; D23/365, 209, 363, 358, 386, D23/354, 341, 364, 303
CPC .. F02M 19/00; F02M 17/46; F02M 35/02416; F02M 35/0201; F02M 35/02; F02M 35/024; B01D 46/0002; B01D 46/0004; B01D 46/2422; B01D 2046/2488
See application file for complete search history.

- 3,541,765 A * 11/1970 Adler F02M 25/0854
123/519
- 3,849,094 A * 11/1974 Holland B01D 50/006
55/330
- 4,086,899 A * 5/1978 Gaylord F02M 19/00
261/78.1
- 5,447,546 A * 9/1995 Thibodeau B01D 46/24
261/23.2
- 5,531,803 A * 7/1996 Salapow B01D 46/0004
55/498
- D398,997 S * 9/1998 Taylor D23/386
- 6,004,366 A * 12/1999 Engel B01D 46/0002
55/428
- 6,216,661 B1 * 4/2001 Pickens F02M 19/00
123/198 E
- D623,437 S * 9/2010 Dively D6/688.1
- 7,980,516 B2 * 7/2011 Birchette F04C 21/002
244/207
- 8,960,171 B1 * 2/2015 Sinden F02M 19/00
123/590

* cited by examiner

Primary Examiner — T. Chase Nelson
Assistant Examiner — Ania Aman
(74) *Attorney, Agent, or Firm* — Jerome R. Drouillard

(57) **CLAIM**

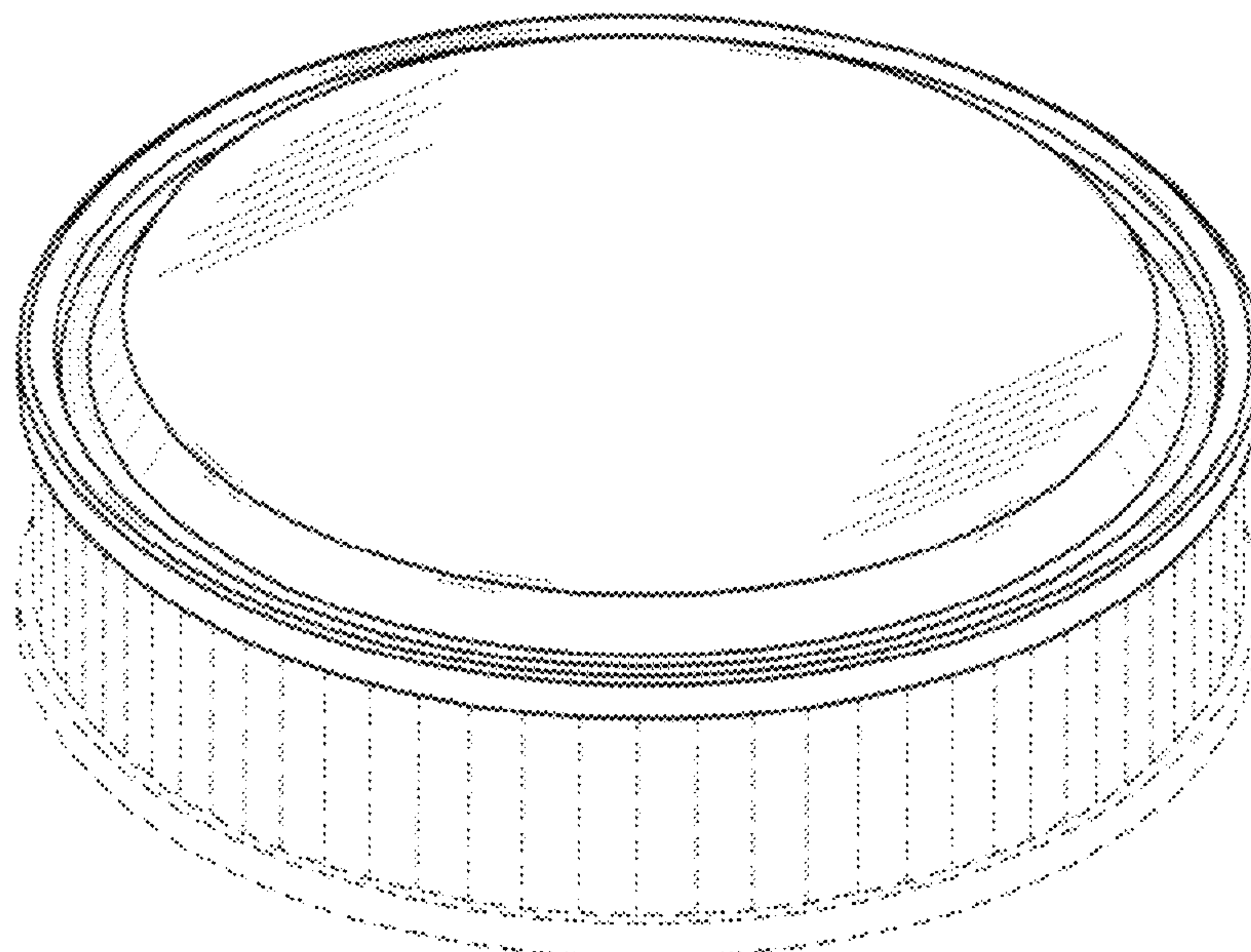
We claim the ornamental design for an engine air cleaner housing, as shown and described.

DESCRIPTION

FIG. 1 is a perspective view of an engine air cleaner housing according to the present invention.
FIG. 2 is a top plan view of the inventive engine air cleaner housing; and,
FIG. 3 is a cross-section of the inventive air cleaner housing. In the drawings, the broken lines depict environmental subject matter only that forms no part of the claimed design.

1 Claim, 2 Drawing Sheets

- (56) **References Cited**
U.S. PATENT DOCUMENTS
3,039,254 A * 6/1962 Thornburgh B01D 46/0002
55/332
3,277,876 A * 10/1966 Abts F01M 13/022
123/572
3,460,321 A * 8/1969 Canzoneri B01D 39/18
55/495



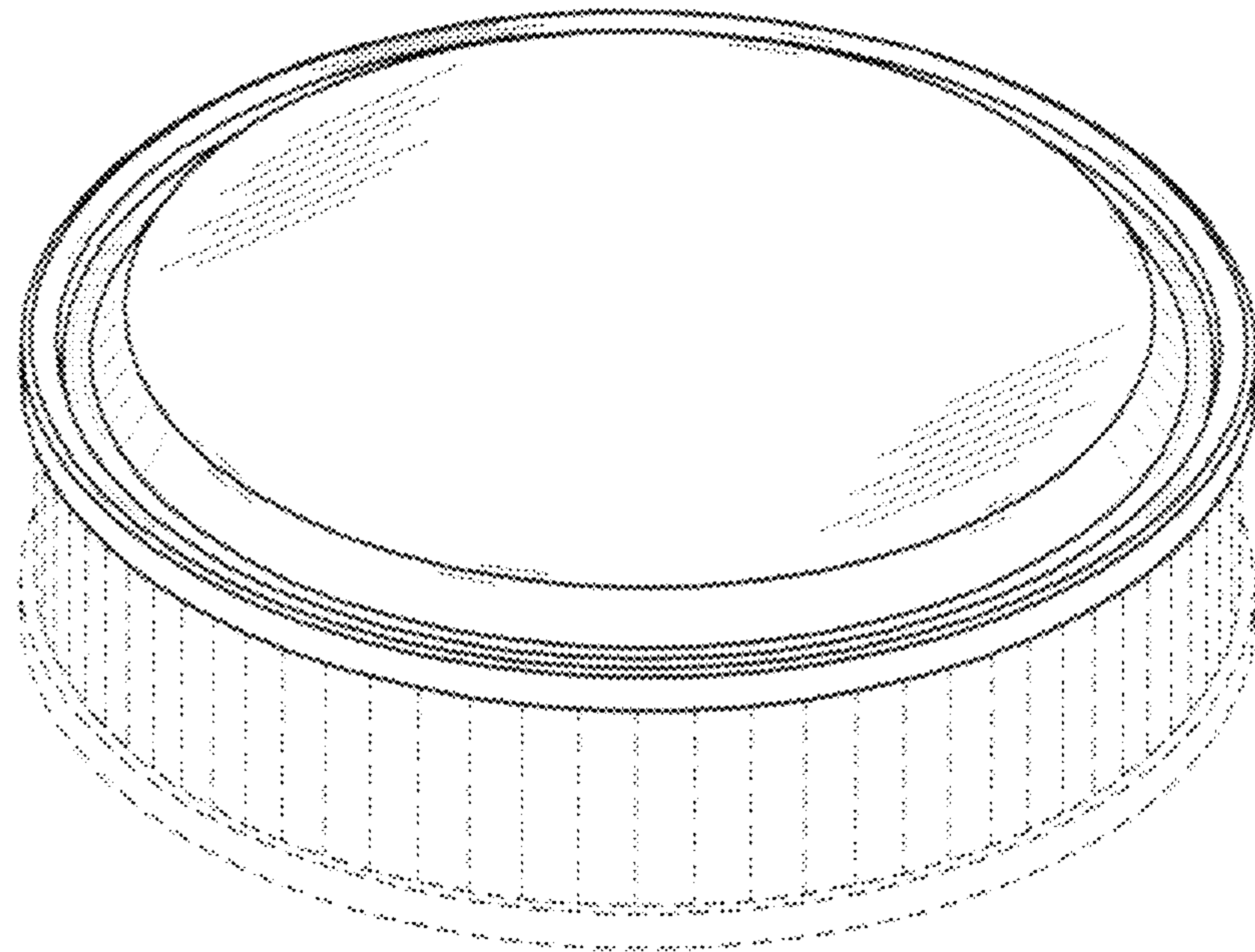


Figure 1

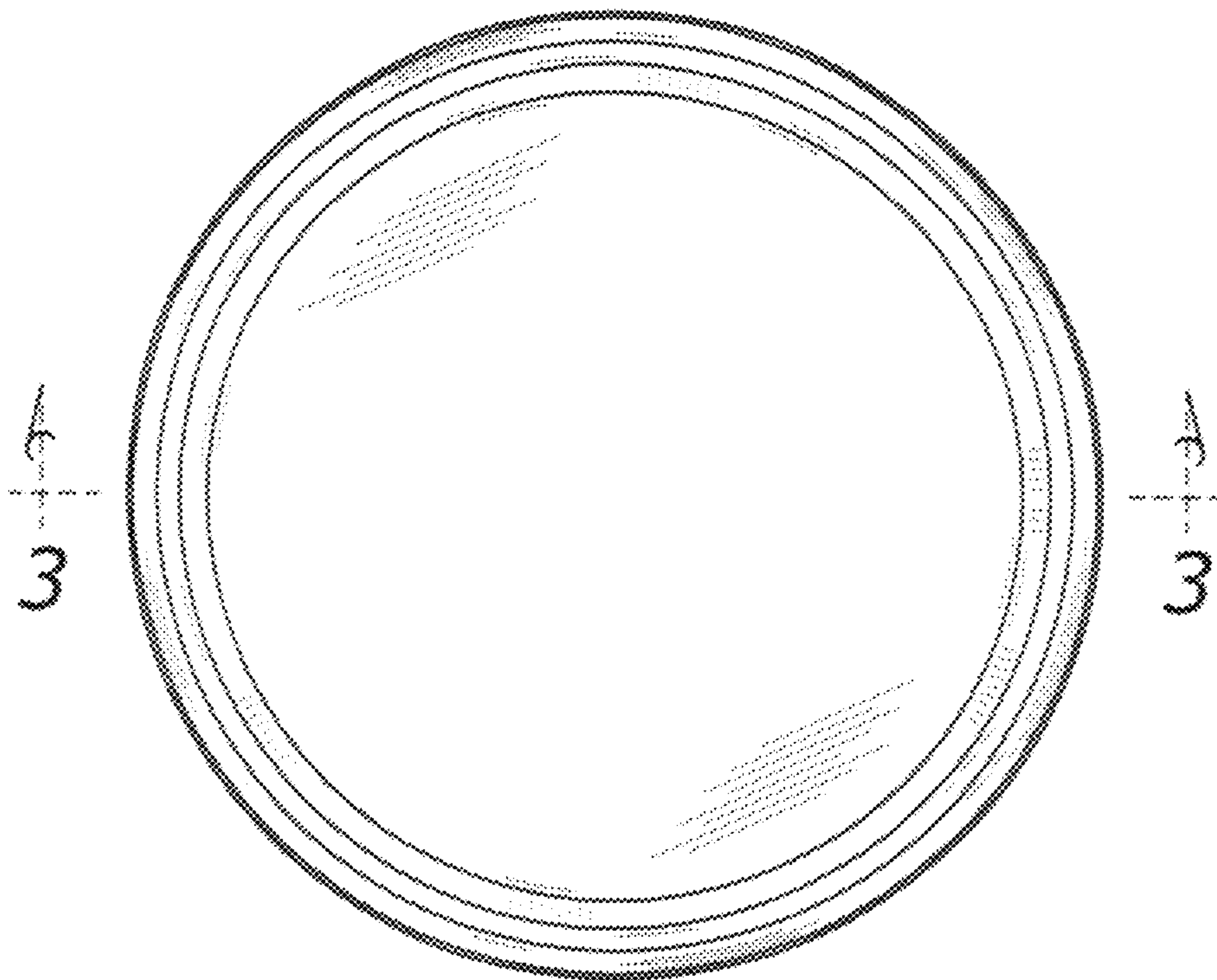


Figure 2



Figure 3