



US00D813273S

(12) **United States Design Patent** (10) **Patent No.:** **US D813,273 S**
Mecchella et al. (45) **Date of Patent:** **** Mar. 20, 2018**

(54) **DEVICE COVER**

- (71) Applicant: **Amazon Technologies, Inc.**, Seattle, WA (US)
- (72) Inventors: **Monica Liane Mecchella**, San Francisco, CA (US); **Ravi Yatnalkar**, Mountain View, CA (US)
- (73) Assignee: **Amazon Technologies, Inc.**, Seattle, WA (US)
- (**) Term: **15 Years**
- (21) Appl. No.: **29/578,317**
- (22) Filed: **Sep. 20, 2016**
- (51) **LOC (11) Cl.** **14-03**
- (52) **U.S. Cl.**
USPC **D14/511**; D14/496; D14/203.6
- (58) **Field of Classification Search**
USPC D14/496, 356, 432, 511, 203, 0.3, 203.6, D14/217, 216, 238.1, 440, 447; D21/324,
(Continued)

(56) **References Cited**

U.S. PATENT DOCUMENTS

- 5,144,821 A * 9/1992 Ernesti E05B 67/006
292/DIG. 69
- D397,026 S * 8/1998 Drake D8/346
(Continued)

OTHER PUBLICATIONS

Chinese Office Action dated Jul. 4, 2017 for Chinese design application No. 201730089853.1, a counterpart foreign application of design U.S. Appl. No. 29/578,317, 1 page.
(Continued)

Primary Examiner — Prabhakar G Deshmukh
(74) *Attorney, Agent, or Firm* — Lee & Hayes, PLLC

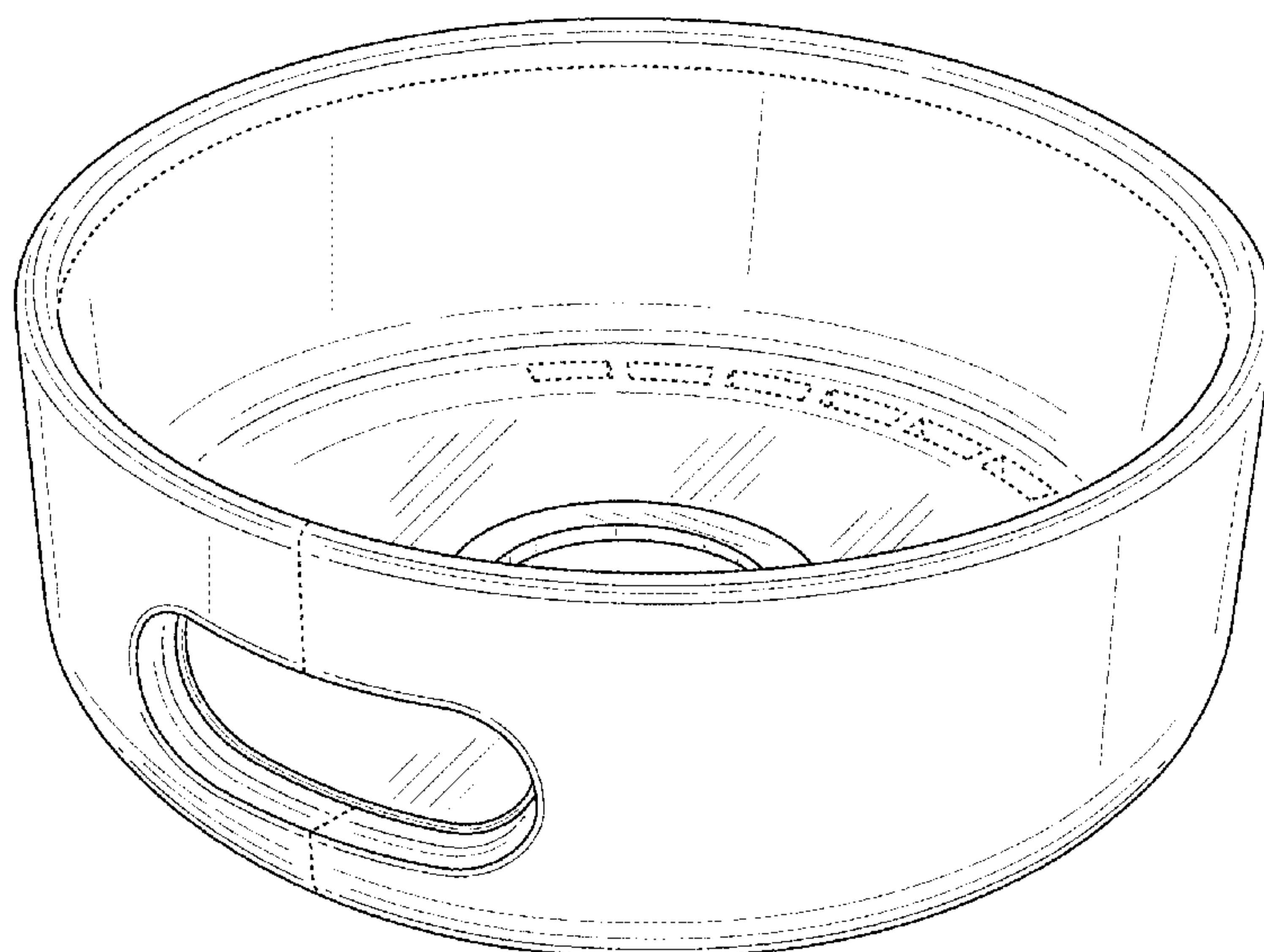
(57) **CLAIM**

The ornamental design for a device cover, as shown and described.

DESCRIPTION

FIG. 1 is a first perspective view of a first embodiment-of a device cover, taken from above.
 FIG. 2 is a second perspective view of the first embodiment of the device cover, taken from below.
 FIG. 3 is a top view of the first embodiment of the device cover of FIG. 1.
 FIG. 4 is a bottom view of the first embodiment of the device cover of FIG. 1.
 FIG. 5 is a back view of the first embodiment of the device cover of FIG. 1.
 FIG. 6 is a front view of the first embodiment of the device cover of FIG. 1.
 FIG. 7 is a left-side view of the first embodiment of the device cover of FIG. 1.
 FIG. 8 is a right-side view of the first embodiment of the device cover of FIG. 1.
 FIG. 9 is a first perspective view of a second embodiment of a device cover, taken from above. The crosshatched pattern shown on the views of the second embodiment is meant to represent fabric (e.g., a woven fabric), and is understood to be distributed uniformly over the surface of the claimed design upon which the pattern occurs.
 FIG. 10 is a second perspective view of the second embodiment of the device cover, taken from below.
 FIG. 11 is a top view of the second embodiment of the device cover of FIG. 9.
 FIG. 12 is a bottom view of the second embodiment of the device cover of FIG. 9.
 FIG. 13 is a back view of the second embodiment of the device cover of FIG. 9.
 FIG. 14 is a front view of the second embodiment of the device cover of FIG. 9.
 FIG. 15 is a left-side view of the second embodiment of the device cover of FIG. 9; and,
 FIG. 16 is a right-side view of the second embodiment of the device cover of FIG. 9.
 The broken lines represent features of the device cover which form no part of the claimed design.

1 Claim, 16 Drawing Sheets



(58) **Field of Classification Search**

USPC D21/328, 333; D8/330, 343, 346;
273/148 B; 463/1, 29–36, 46, 47

CPC G06F 1/1628; G06F 1/1613; G06F 1/1626;
E05B 9/00; E05B 9/04

See application file for complete search history.

(56) **References Cited**

U.S. PATENT DOCUMENTS

D437,542 S *	2/2001	Mimlitch	D8/346
D446,441 S *	8/2001	Brake	D8/346
D454,051 S *	3/2002	Drake	D8/346
D569,226 S *	5/2008	Brewster	D8/346
7,596,830 B2 *	10/2009	Yin	G06F 1/1616 16/303
7,631,397 B2 *	12/2009	Yin	G06F 1/1616 16/303
D763,209 S *	8/2016	Park	D14/125
D776,121 S *	1/2017	Mecchella	D14/440
D784,317 S *	4/2017	Mecchella	D14/253
9,621,216 B1 *	4/2017	Yeh	H04B 1/3888

OTHER PUBLICATIONS

Translated Japanese Office Action dated Aug. 4, 2017 for Japanese design application No. 2017-005654, a counterpart foreign application of design U.S. Appl. No. 29/578,317, 2 pages.

Translated Japanese Office Action dated Aug. 4, 2017 for Japanese design application No. 2017-005655, a counterpart foreign application of design U.S. Appl. No. 29/578,317, 2 pages.

Translated Japanese Office Action dated Aug. 4, 2017 for Japanese design application No. 2017-005656, a counterpart foreign application of design U.S. Appl. No. 29/578,317, 2 pages.

Translated Japanese Office Action dated Aug. 4, 2017 for Japanese design application No. 2017-005657, a counterpart foreign application of design U.S. Appl. No. 29/578,317, 2 pages.

Translated Japanese Office Action dated Aug. 4, 2017 for Japanese design application No. 2017-005658, a counterpart foreign application of design U.S. Appl. No. 29/578,317, 2 pages.

Translated Japanese Office Action dated Aug. 4, 2017 for Japanese design application No. 2017-005659, a counterpart foreign application of design U.S. Appl. No. 29/578,317, 2 pages.

Indian Office Action dated Apr. 20, 2017 for Indian design application No. 291854, a counterpart foreign application of design U.S. Appl. No. 29/578,317, 19 pages.

Indian Office Action dated Apr. 11, 2017 for Indian design application No. 291848, a counterpart foreign application of design U.S. Appl. No. 29/578,317, 20 pages.

Indian Office Action dated Apr. 20, 2017 for Indian design application No. 291849, a counterpart foreign application of design U.S. Appl. No. 29/578,317, 19 pages.

Canadian Office Action dated Oct. 17, 2017 for Canadian Design Application No. 173566, a counterpart foreign application of Design U.S. Appl. No. 29/578,317, 4 pages.

Canadian Office Action dated Oct. 17, 2017 for Canadian Design Application No. 173568, a counterpart foreign application of Design U.S. Appl. No. 29/578,317, 4 pages.

* cited by examiner

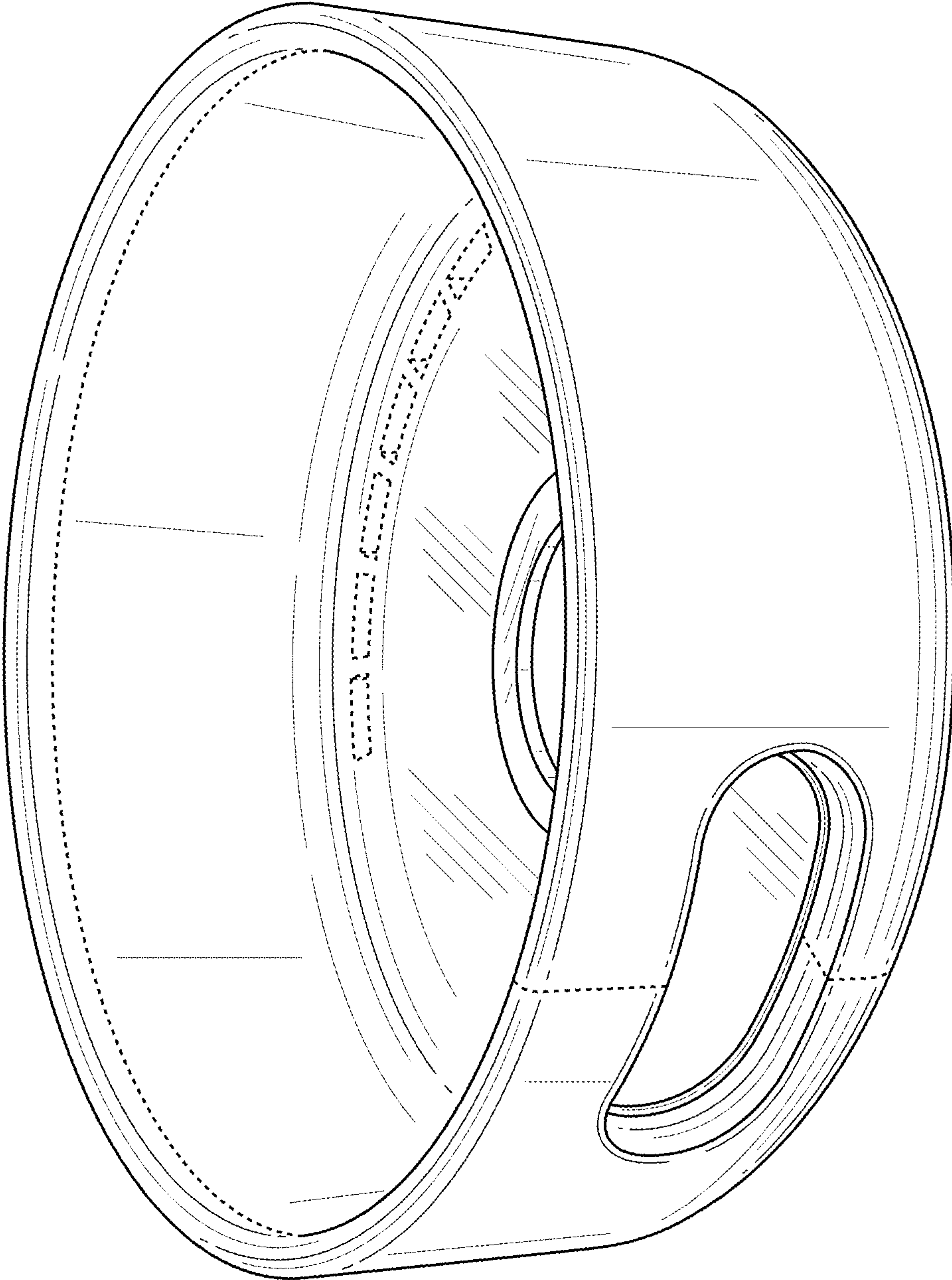


FIG. 1

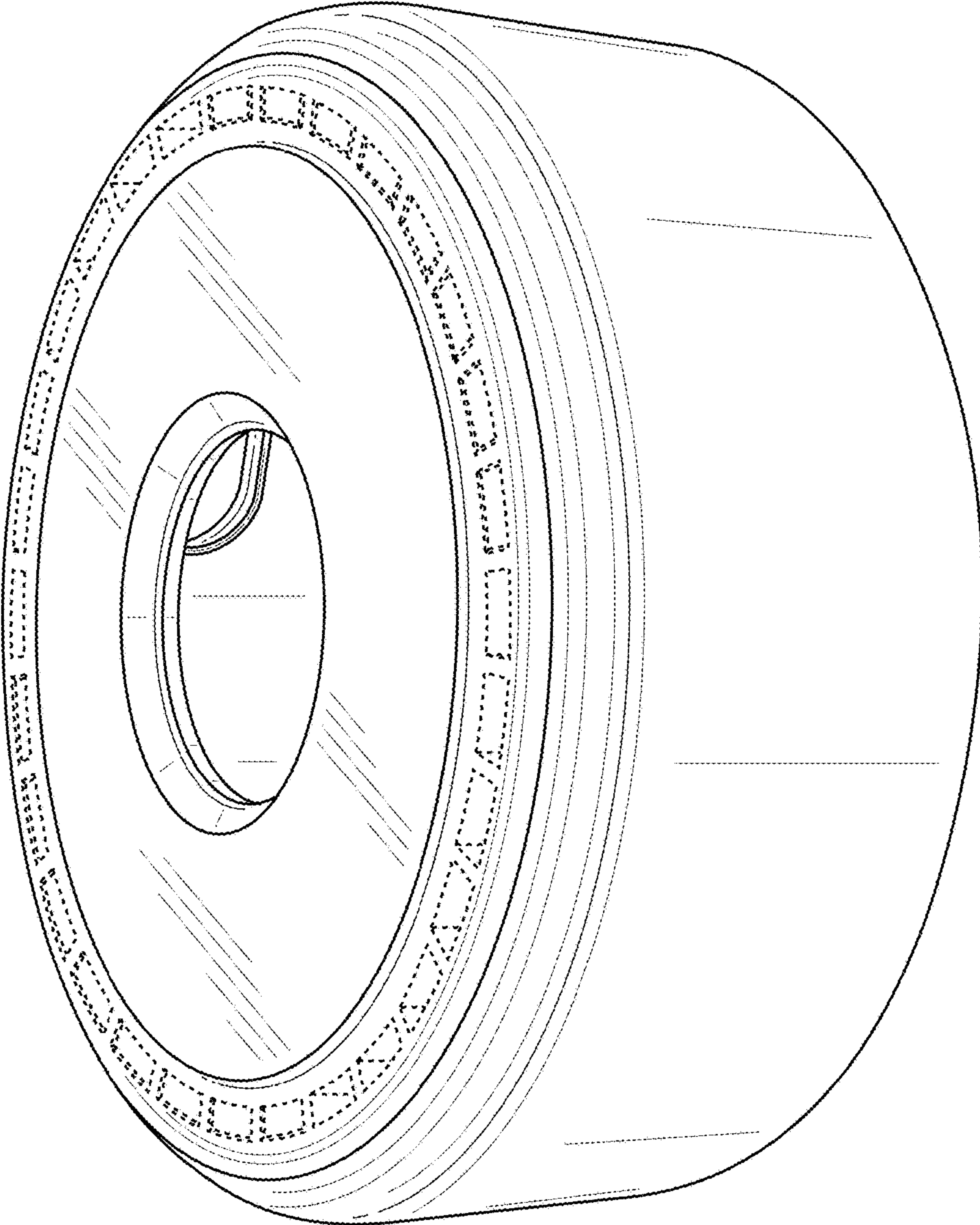


FIG. 2

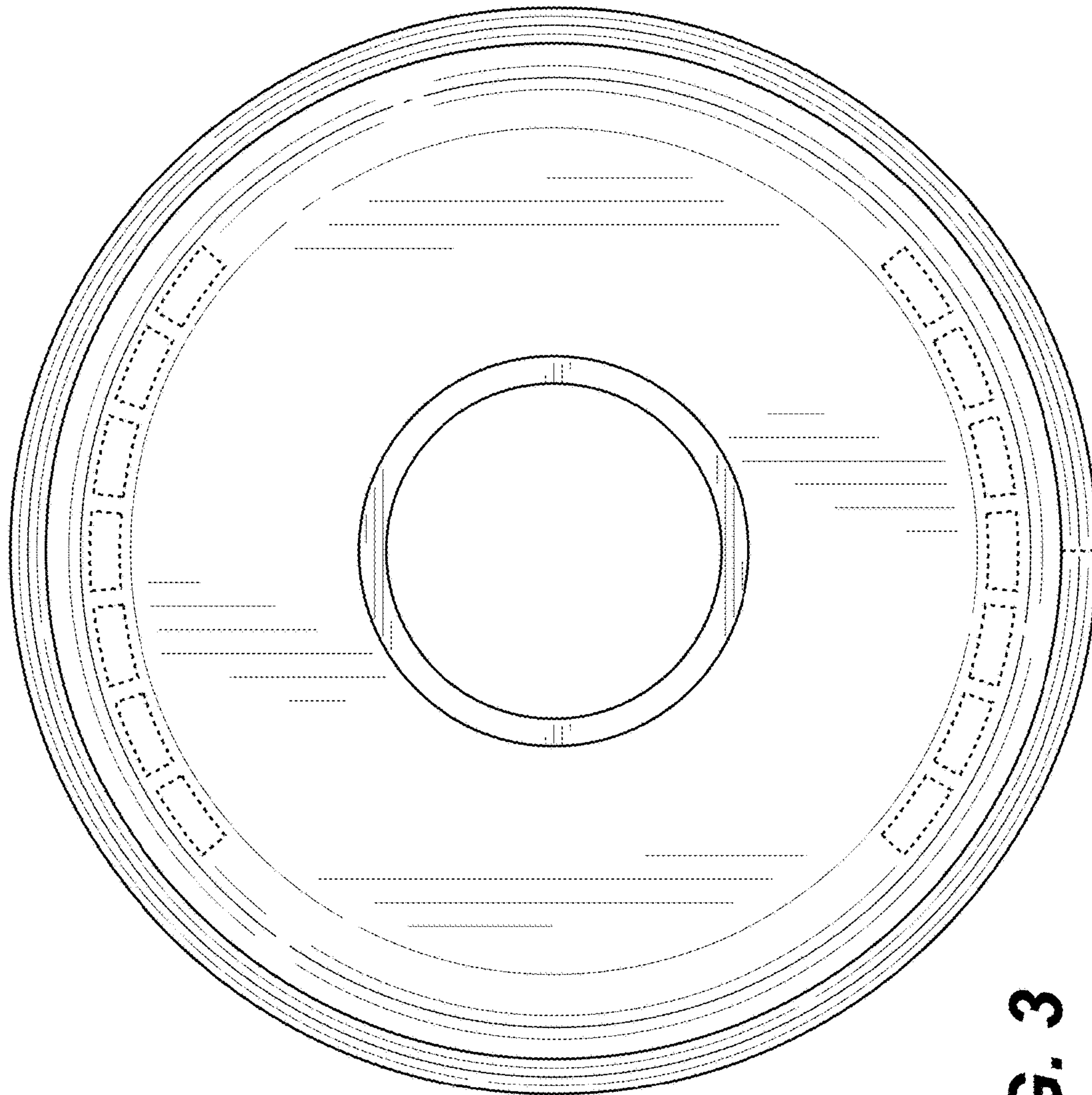


FIG. 3

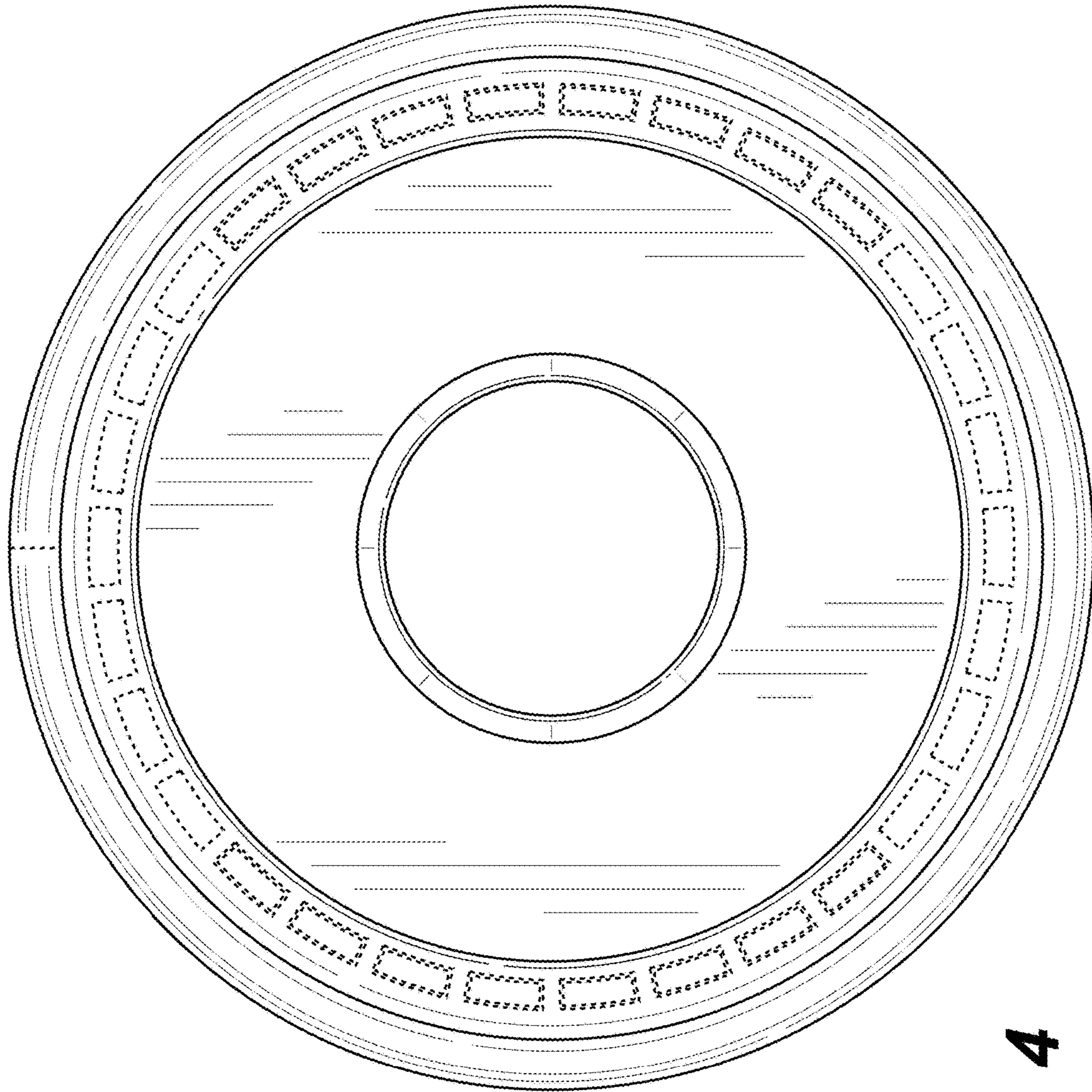


FIG. 4

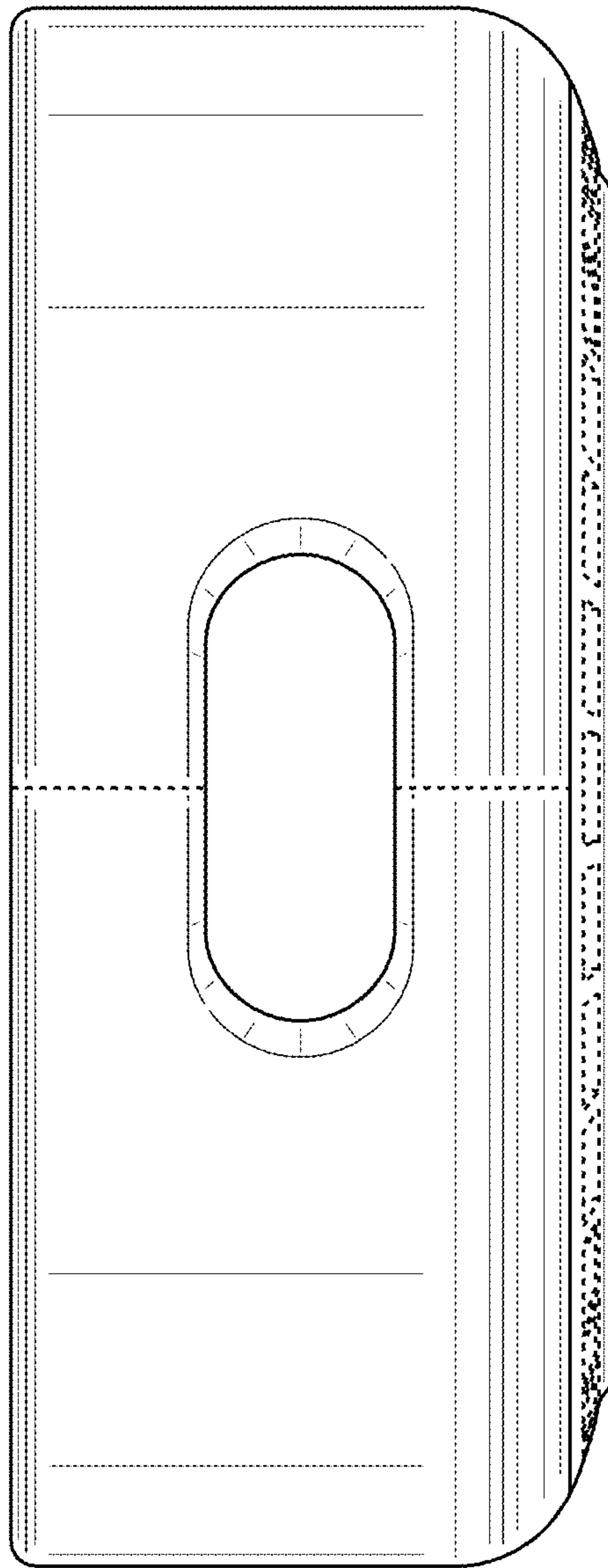


FIG. 5

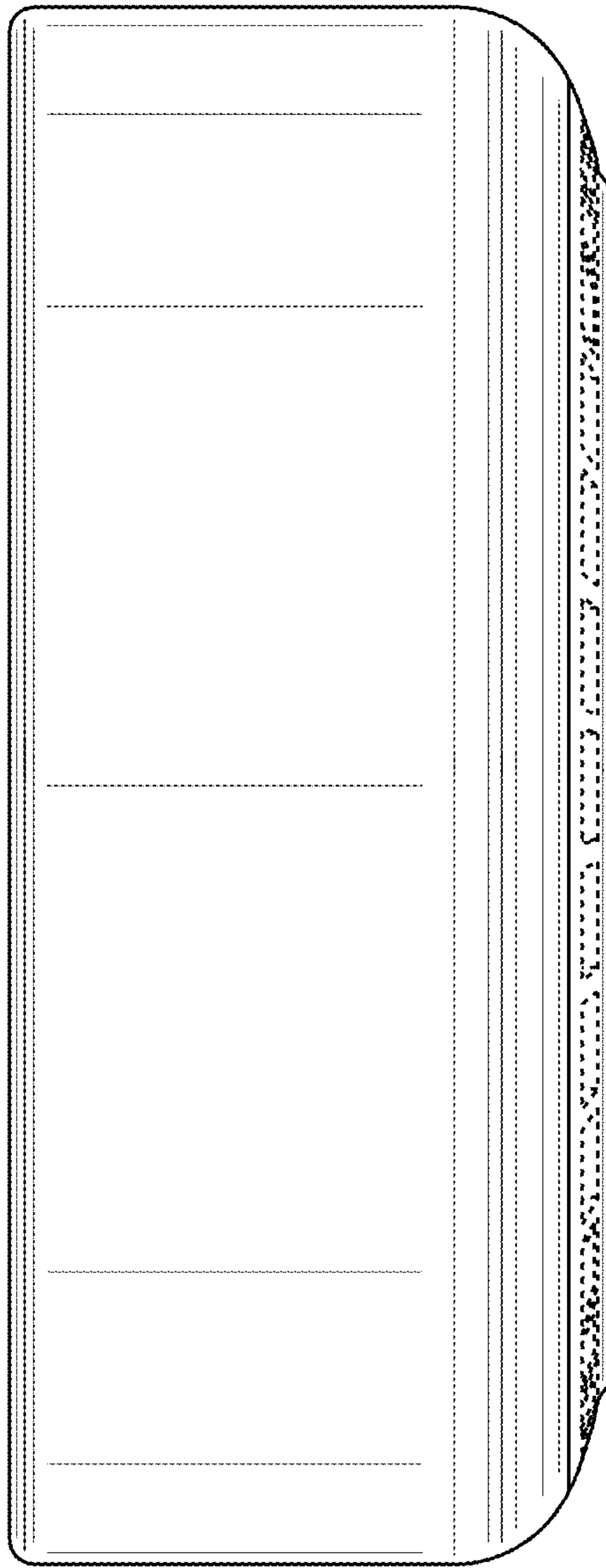


FIG. 6

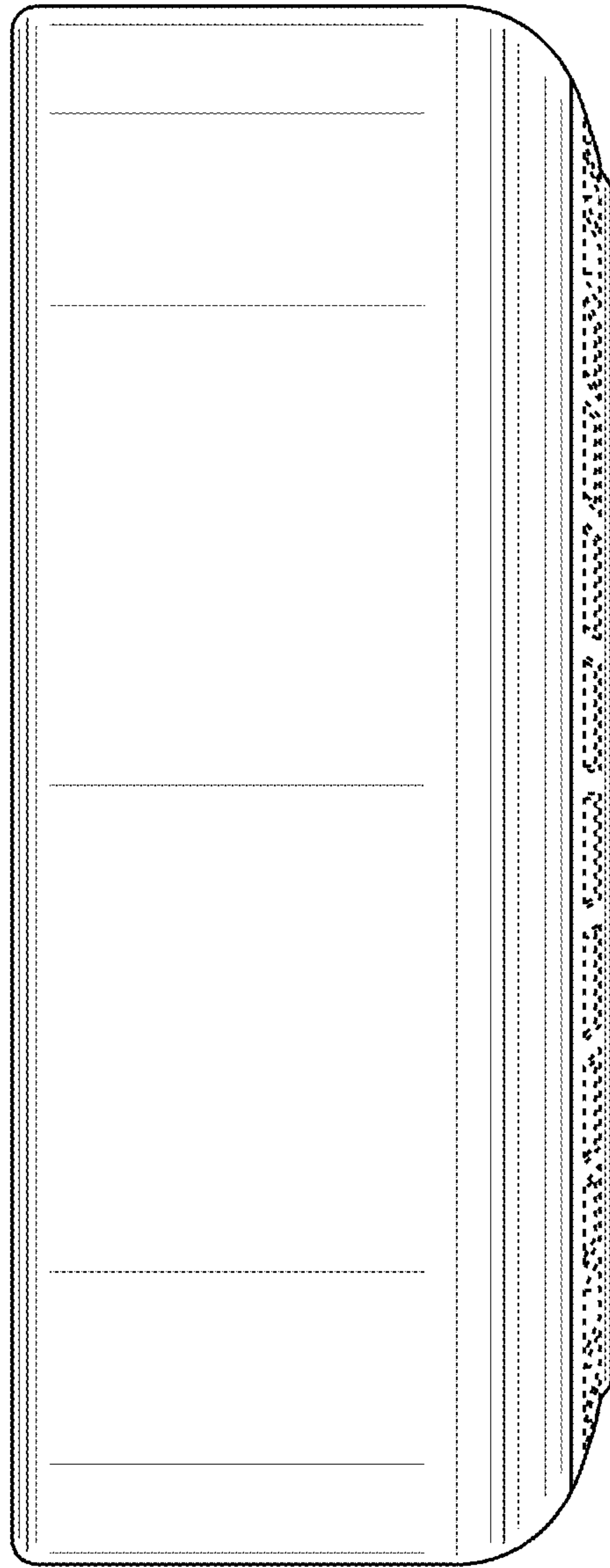


FIG. 7

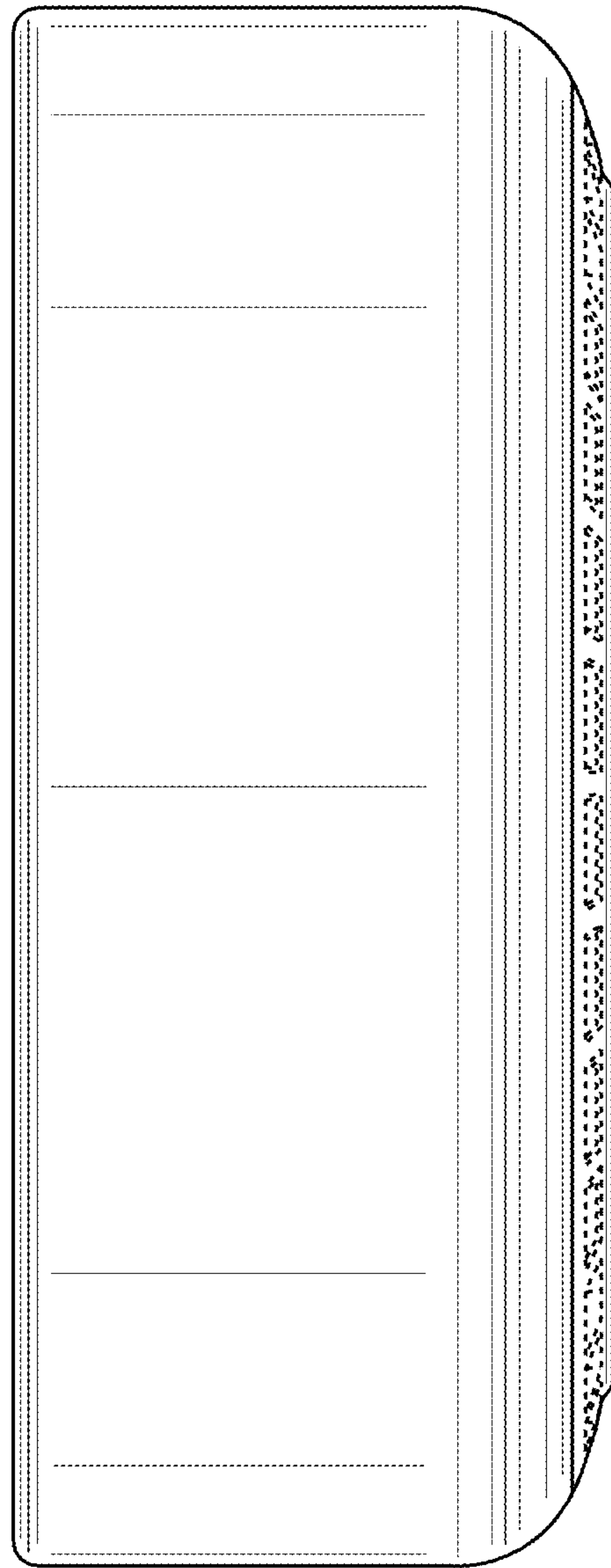


FIG. 8

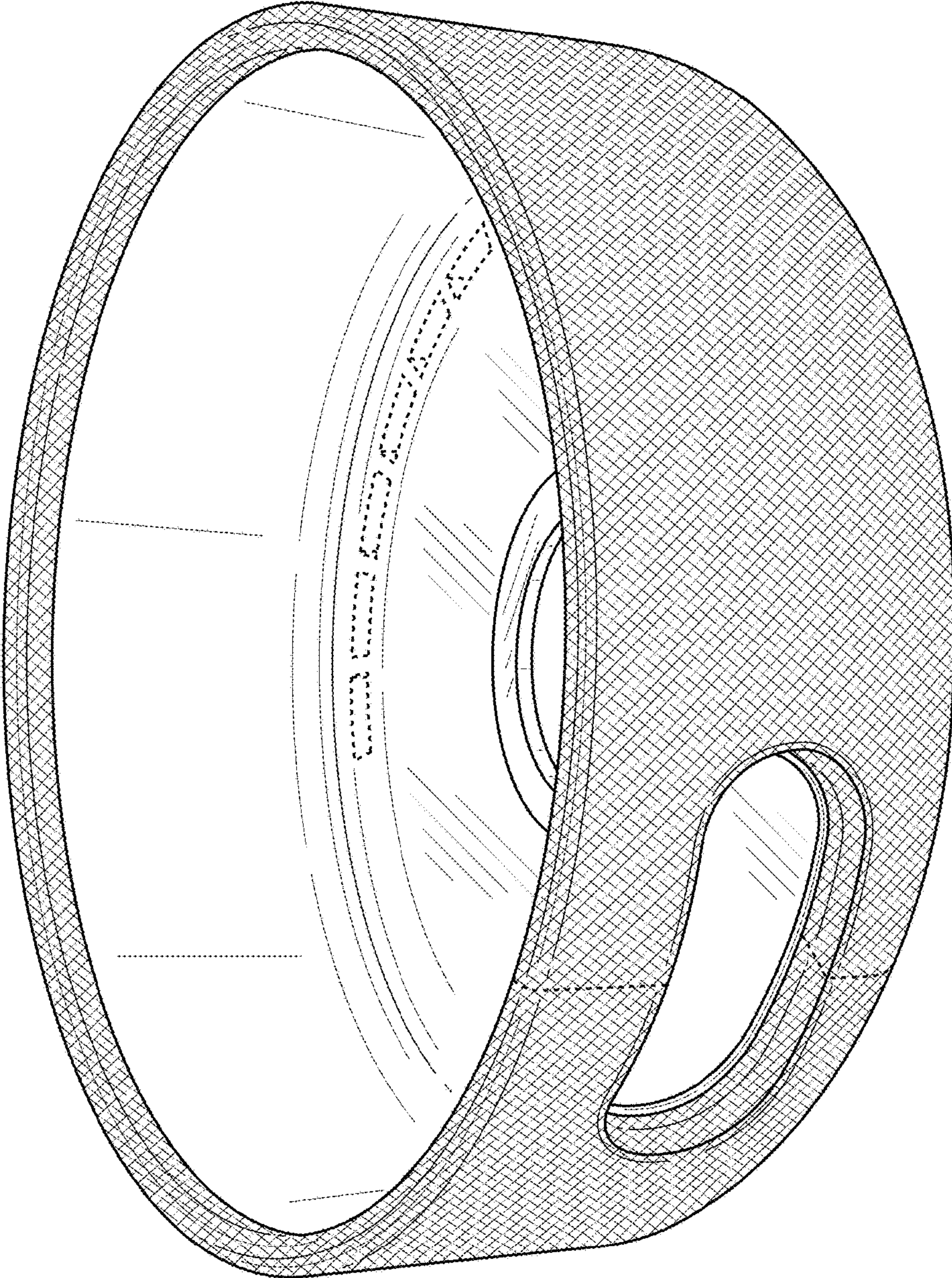


FIG. 9

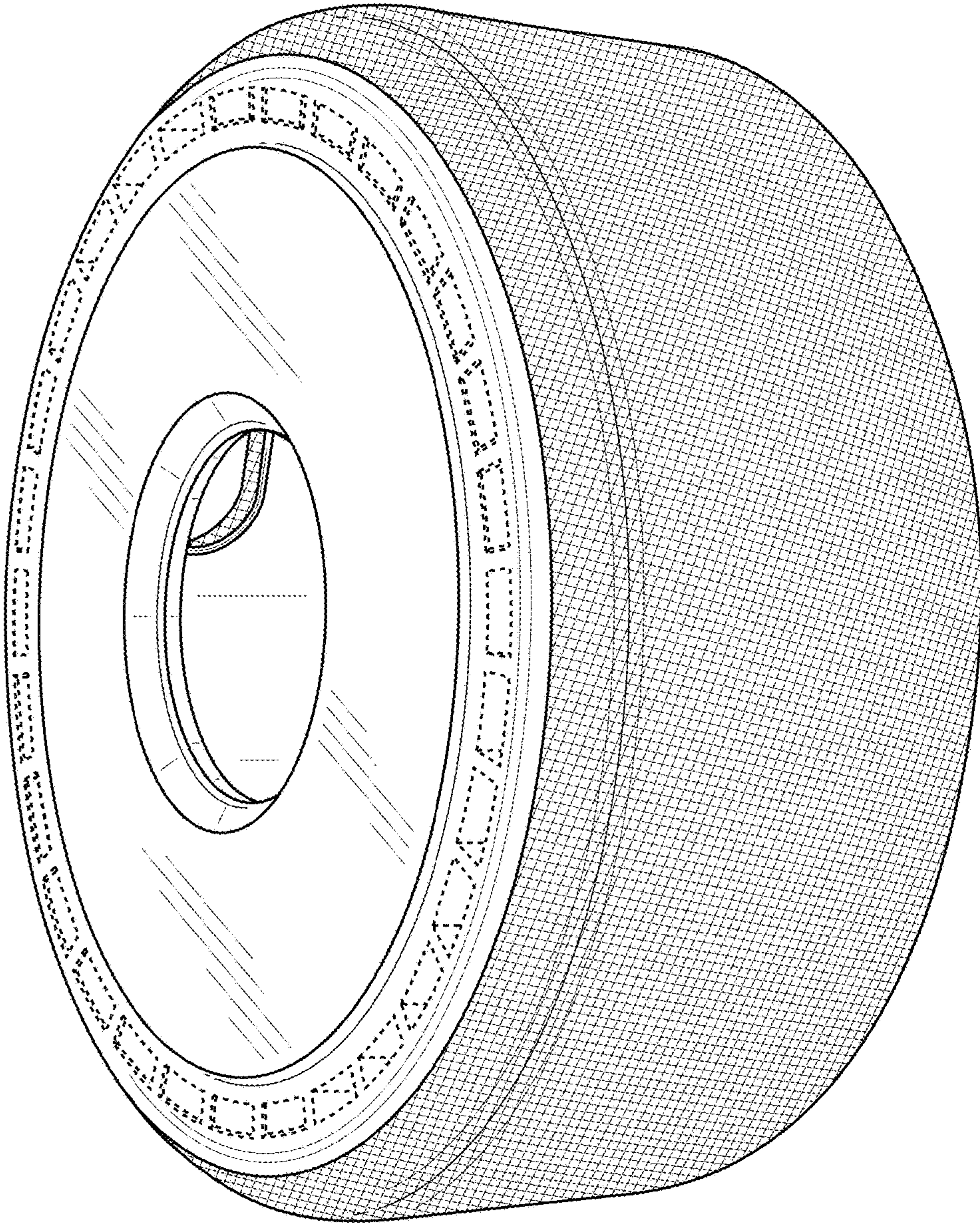


FIG. 10

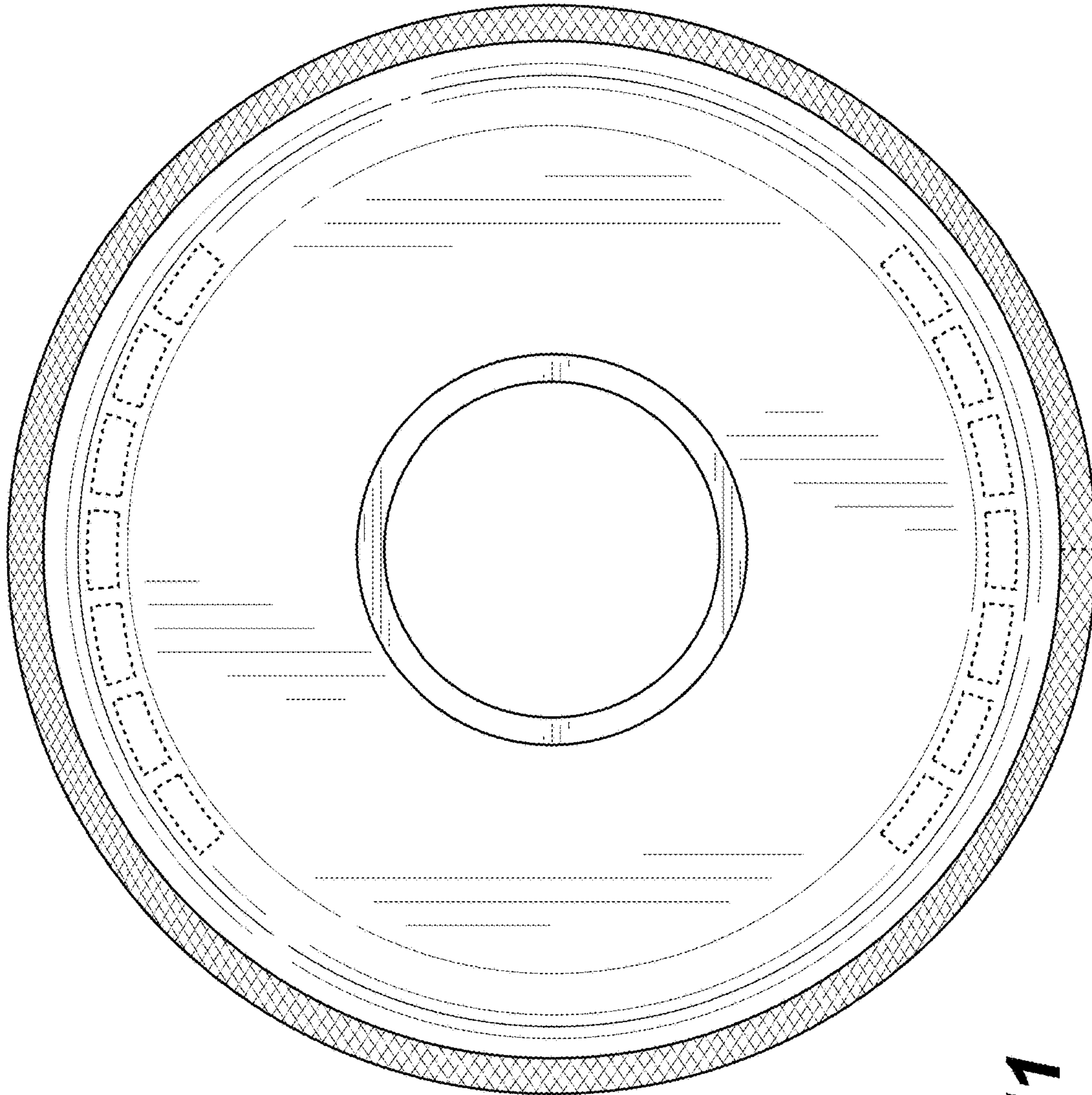


FIG. 11

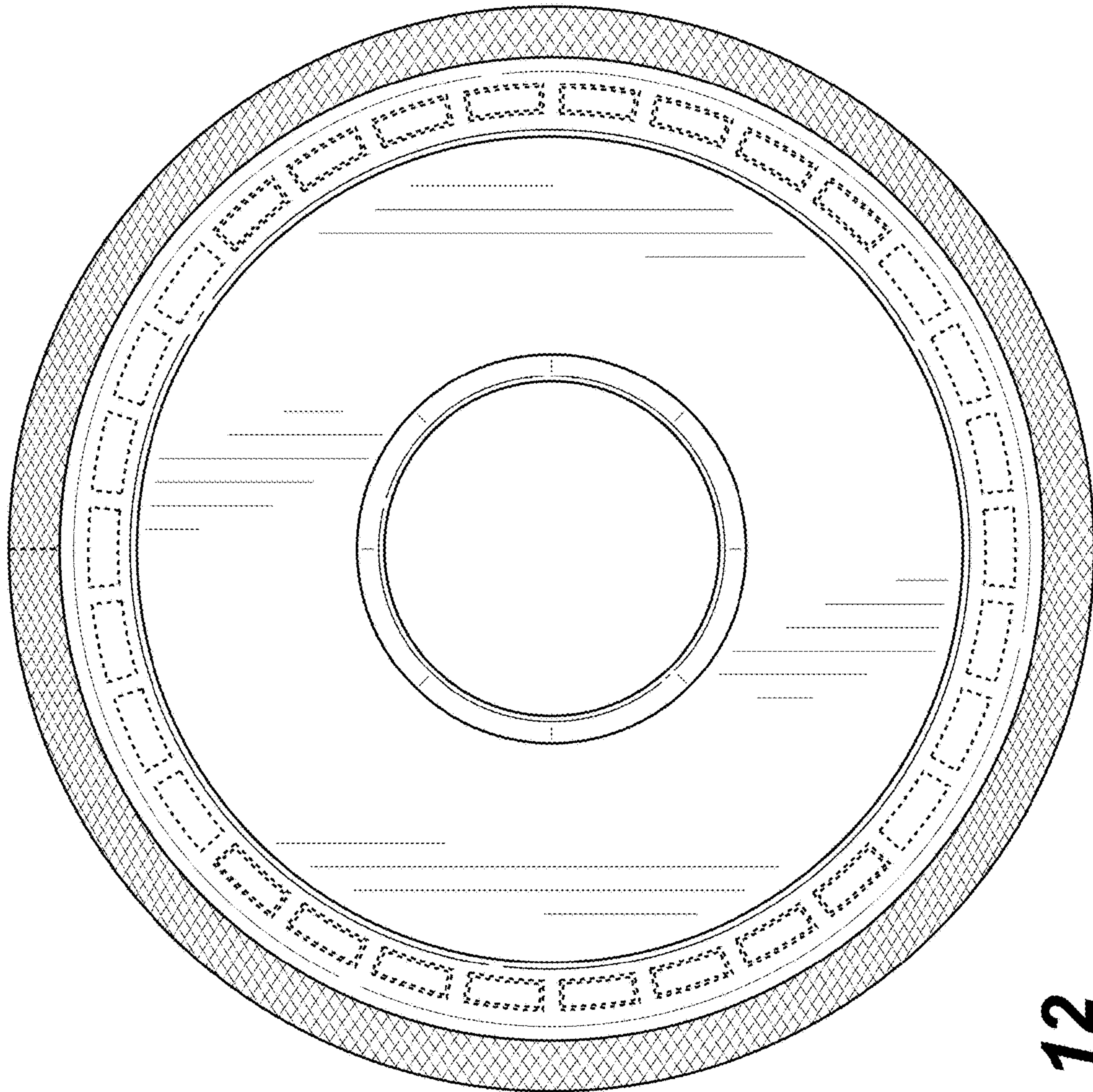


FIG. 12

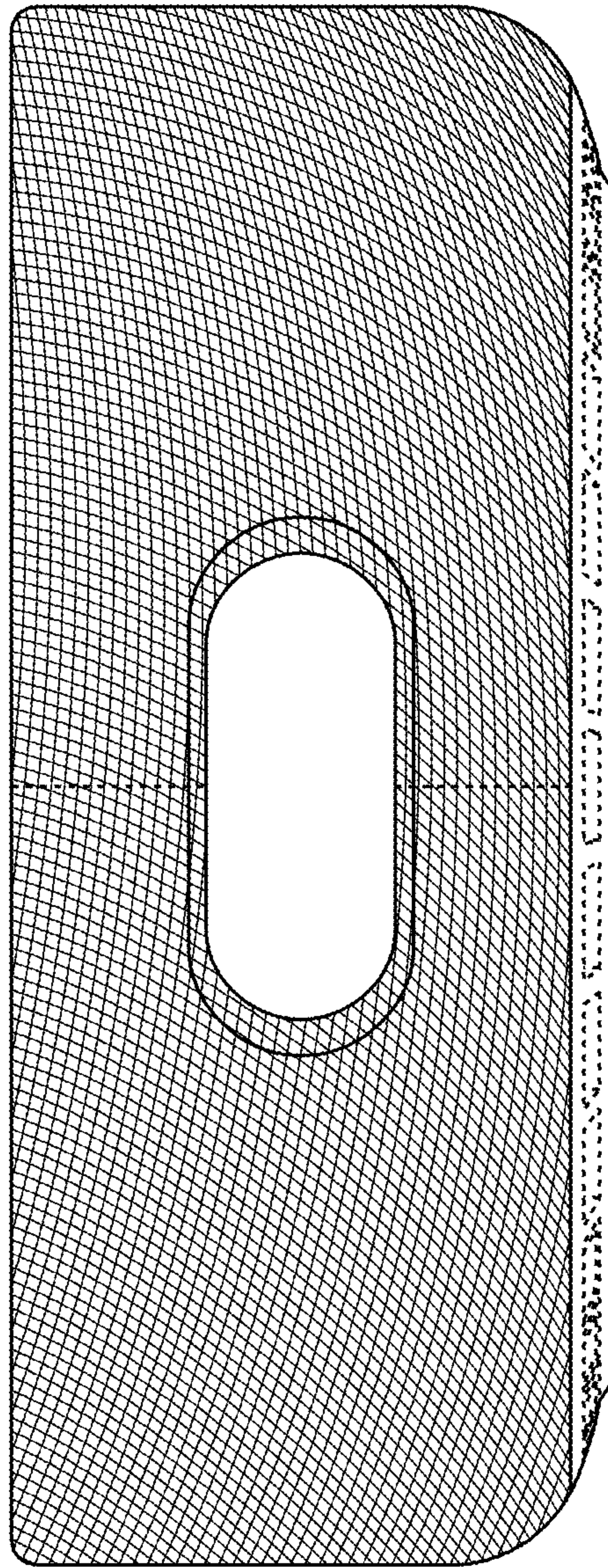


FIG. 13

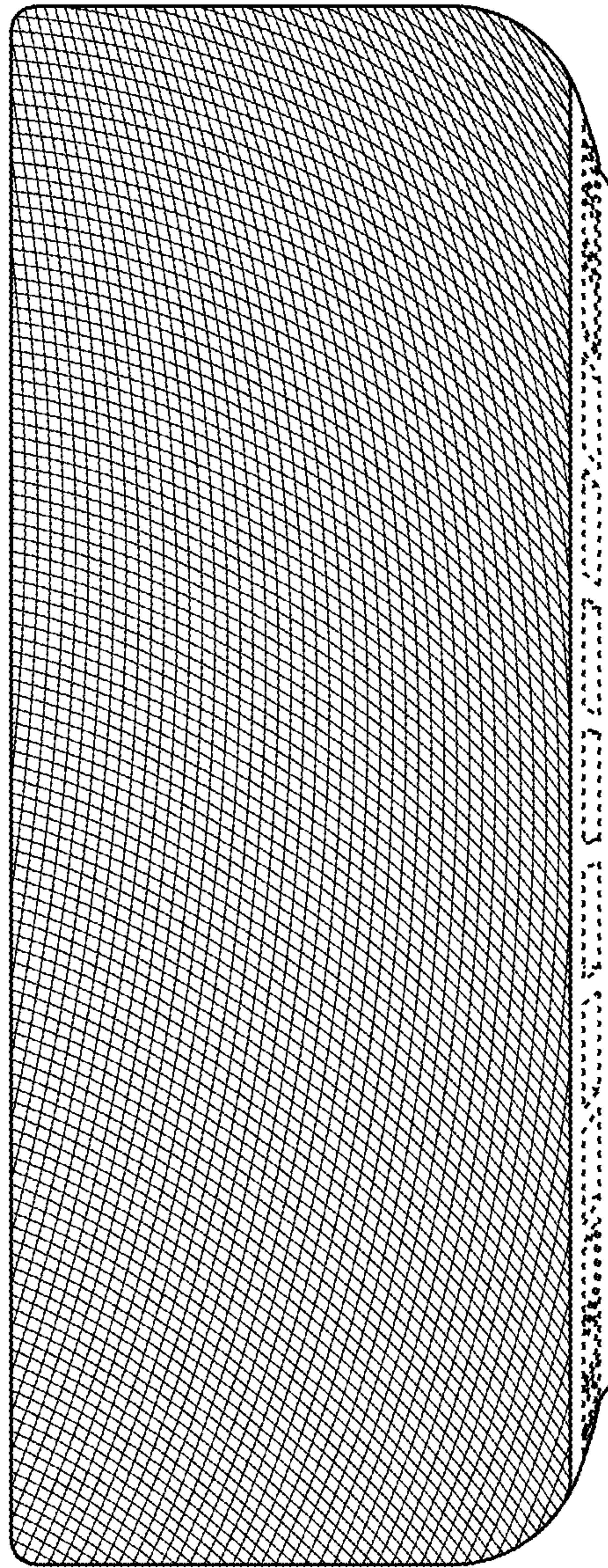


FIG. 14

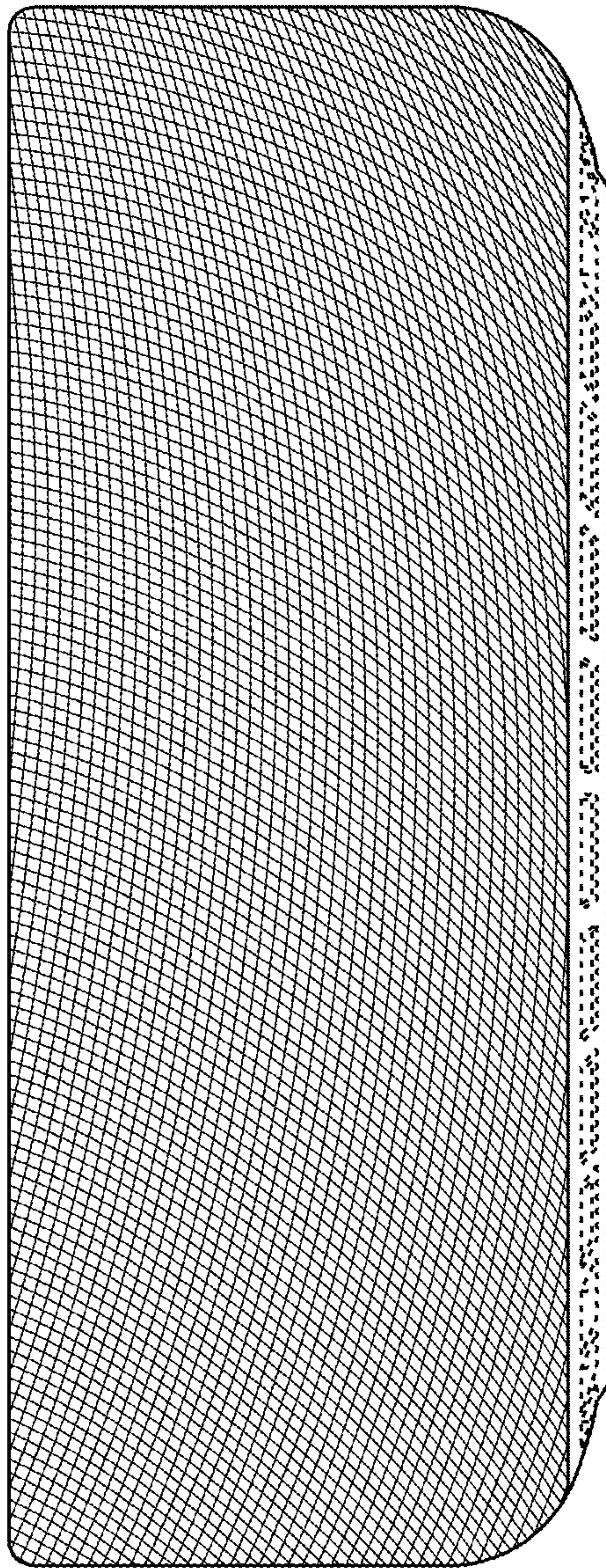


FIG. 15

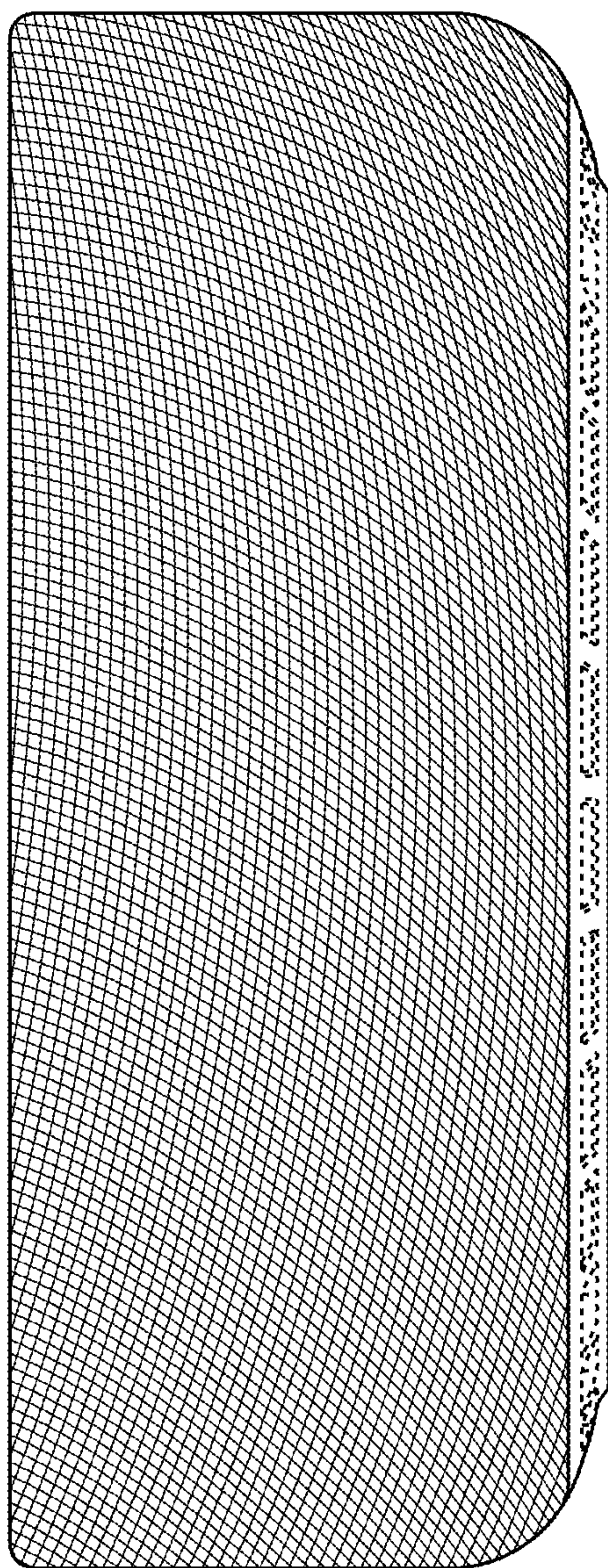


FIG. 16