



US00D813270S

(12) **United States Design Patent**  
**Stephens et al.**

(10) **Patent No.:** **US D813,270 S**  
(45) **Date of Patent:** **\*\* Mar. 20, 2018**

(54) **DISPLAY SCREEN WITH ANIMATED GRAPHICAL USER INTERFACE**

(71) Applicant: **CFPH, LLC**, New York, NY (US)

(72) Inventors: **Jeffrey Stephens**, New York, NY (US);  
**Todd Berlent**, New York, NY (US);  
**Luis Fernandez**, New York, NY (US)

(73) Assignee: **CFPH, LLC**, New York, NY (US)

(\*\*) Term: **15 Years**

(21) Appl. No.: **29/545,529**

(22) Filed: **Nov. 13, 2015**

(51) **LOC (11) Cl.** ..... **14-04**

(52) **U.S. Cl.**  
USPC ..... **D14/491**

(58) **Field of Classification Search**  
USPC ..... D14/485–495

(Continued)

(56) **References Cited**

**U.S. PATENT DOCUMENTS**

D470,858 S \* 2/2003 Flamini ..... D14/488

D683,356 S \* 5/2013 Hally ..... D14/486

(Continued)

**FOREIGN PATENT DOCUMENTS**

WO WO 2006/126205 11/2006

**OTHER PUBLICATIONS**

StackOverflow | Diagonal stripes in CSS that are 1px wide, posted on May 26, 2014, © 2017 Stack Exchange Inc [online], [site visited Jun. 20, 2017]. Available from Internet, <<https://stackoverflow.com/questions/23878398/diagonal-stripes-in-css-that-are-1px-wide/>>.\*

(Continued)

*Primary Examiner* — Philip S Hyder  
*Assistant Examiner* — Cary M Robinson

(57) **CLAIM**

The ornamental design for a display screen with animated graphical user interface, as shown and described.

**DESCRIPTION**

FIG. 1 is a first image in a first embodiment for a display screen with animated graphical user interface showing the new design;

FIG. 2 is the second image thereof;

FIG. 3 is a first image in a second embodiment for a display screen with animated graphical user interface showing the new design;

FIG. 4 is the second image thereof;

FIG. 5 is a first image in a third embodiment for a display screen with animated graphical user interface showing the new design;

FIG. 6 is the second image thereof;

FIG. 7 is a first image in a fourth embodiment for a display screen with animated graphical user interface showing the new design;

FIG. 8 is the second image thereof;

FIG. 9 is a first image in a fifth embodiment for a display screen with animated graphical user interface showing the new design;

FIG. 10 is the second image thereof;

FIG. 11 is a first image in a sixth embodiment for a display screen with animated graphical user interface showing the new design;

FIG. 12 is the second image thereof;

FIG. 13 is a first image in a seventh embodiment for a display screen with animated graphical user interface showing the new design;

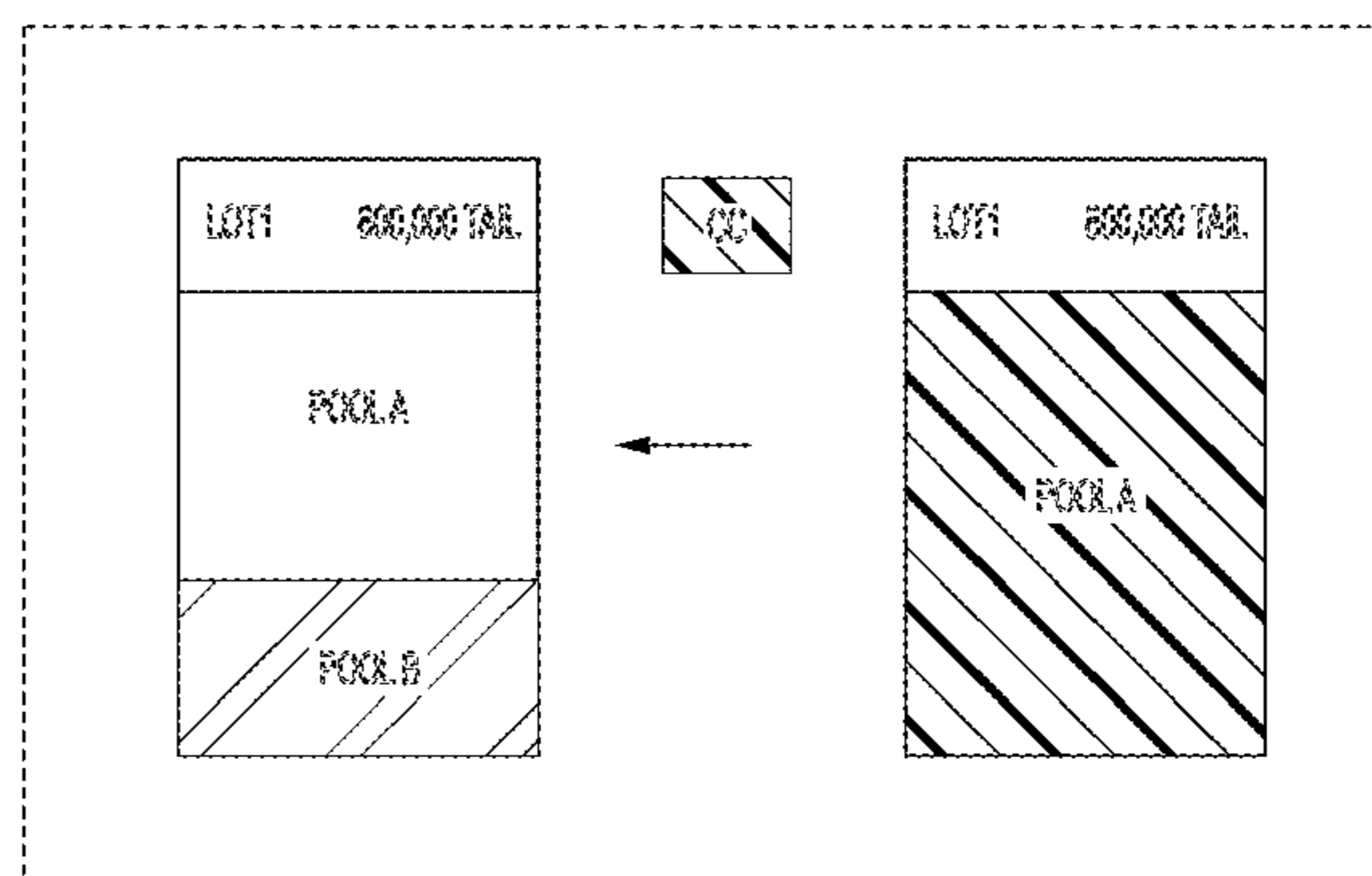
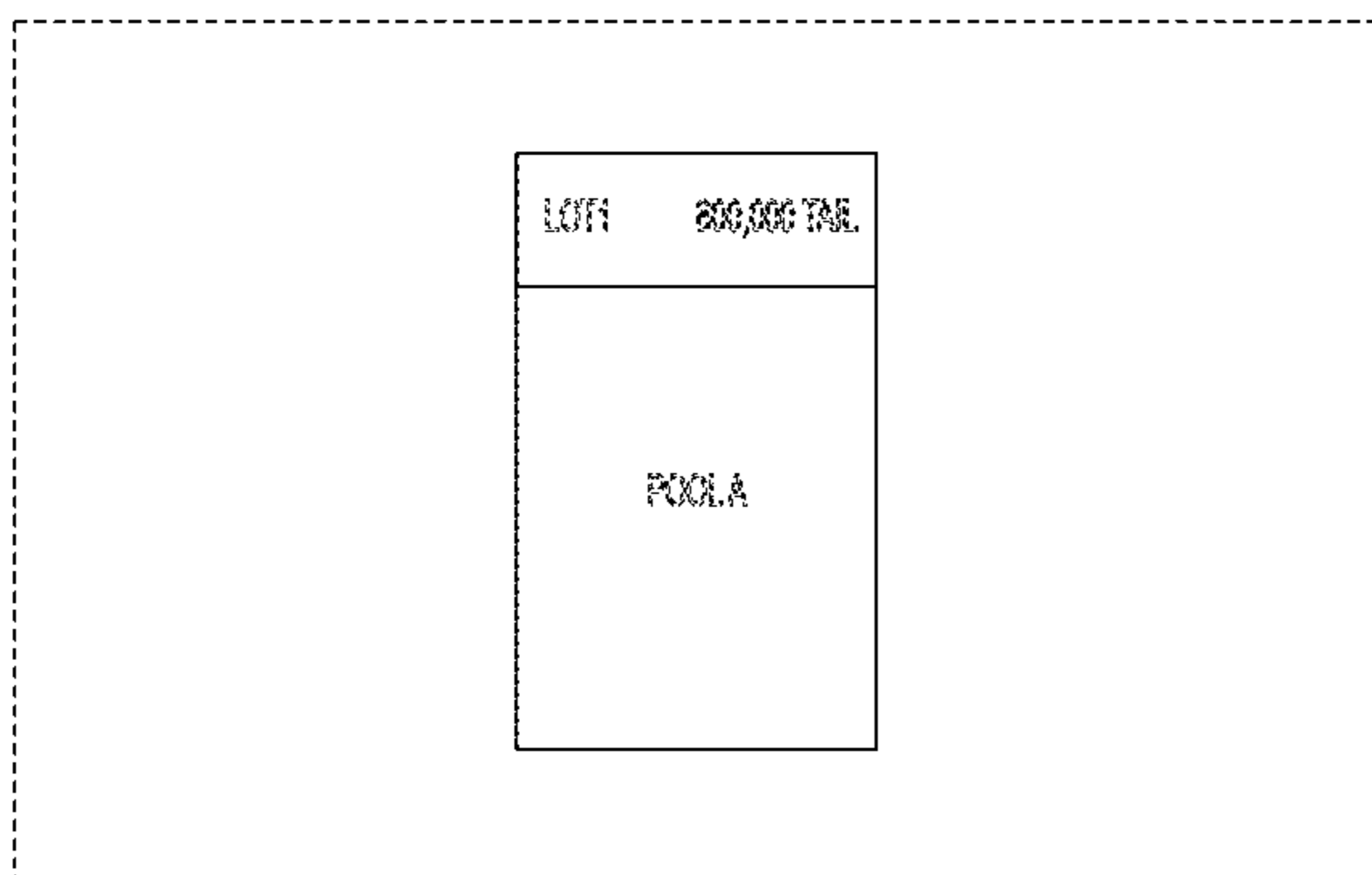
FIG. 14 is the second image thereof;

FIG. 15 is a first image in an eight embodiment for a display screen with animated graphical user interface showing the new design; and,

FIG. 16 is the second image thereof.

The outermost broken line illustrates the display screen and the broken line showing of text and numbers illustrate portions of the animated graphical user interface. None of the broken lines form part of the claimed design.

(Continued)



The appearance of the transitional image sequentially transitions between the images shown in FIGS. 1-2, FIGS. 3-4, FIGS. 5-6, FIGS. 7-8, FIGS. 9-10, FIGS. 11-12, FIGS. 13-14, and FIGS. 15-16. The process or period in which one image transitions to another form no part of the claimed design.

**1 Claim, 16 Drawing Sheets**

(58) **Field of Classification Search**

CPC ..... B61C 11/04; B64C 29/00; G06F 3/04817; G06F 3/0482; G06F 2203/04807; G06T 15/02; G06T 13/80; H04M 1/2477; H04N 1/00424

See application file for complete search history.

(56) **References Cited**

U.S. PATENT DOCUMENTS

8,661,465 B2 \* 2/2014 Gordon ..... H04N 5/4401  
725/32  
D710,377 S \* 8/2014 Rydenhag ..... D14/488  
D710,871 S \* 8/2014 McCormack ..... D14/486  
D722,319 S \* 2/2015 Moore ..... D14/486  
D736,811 S \* 8/2015 Teichner ..... D14/486  
D752,076 S \* 3/2016 Guesnon, Jr. .... D14/486

D756,389 S \* 5/2016 Kwon ..... D14/486  
9,600,298 B2 \* 3/2017 Geva ..... G06F 3/0481  
9,612,720 B2 \* 4/2017 Le ..... G06F 3/0482  
9,615,065 B2 \* 4/2017 Frenette ..... H04N 7/181  
9,632,692 B2 \* 4/2017 Puthenveetil ..... G06F 3/0488  
2004/0233201 A1 11/2004 Calkins et al.  
2011/0225522 A1 \* 9/2011 Kamiyama ..... G06F 8/34  
715/762  
2013/0268858 A1 \* 10/2013 Kim ..... G06F 3/0488  
715/716  
2015/0009219 A1 1/2015 Rubin et al.  
2015/0066980 A1 \* 3/2015 Kim ..... G06F 17/30277  
707/769  
2017/0004492 A1 1/2017 Berlent et al.  
2017/0092062 A1 \* 3/2017 Tsutsui ..... G07F 17/3246  
2017/0102870 A1 \* 4/2017 Won ..... G06F 3/0481

OTHER PUBLICATIONS

Roberts, P. "Information Visualization for Stock Market Ticks: Toward a New Trading Interface"; Massachusetts Institute of Technology Sloan School of Management. Publication online, Feb. 2014 [retrieved Aug. 31, 2016], 83 pages.  
Notification of Transmittal of the International Search Report and the Written Opinion of the International Searching Authority dated Sep. 30, 2016 for International Application No. PCT/US16/40734, 7 pages.

\* cited by examiner

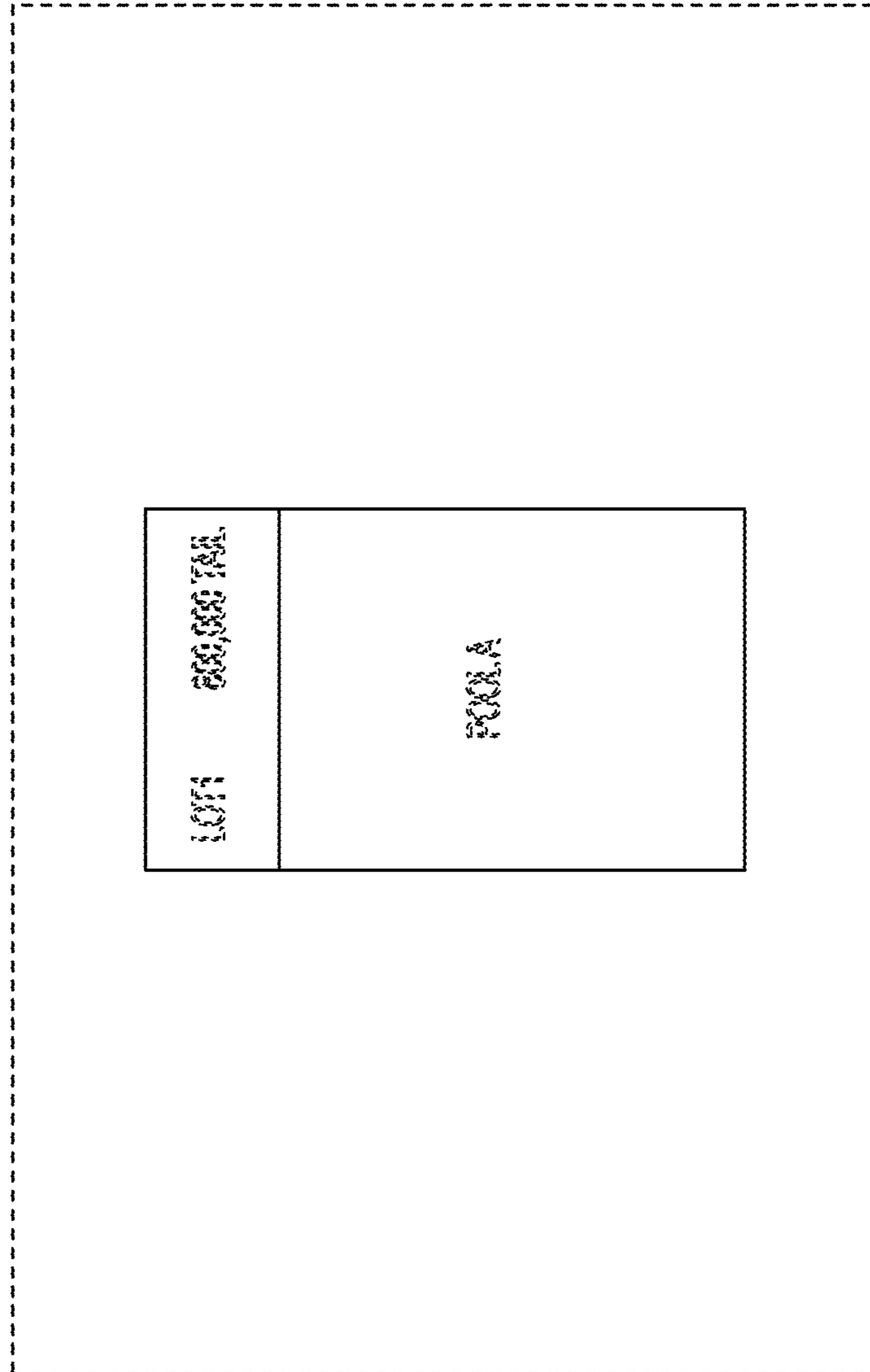


FIG. 1

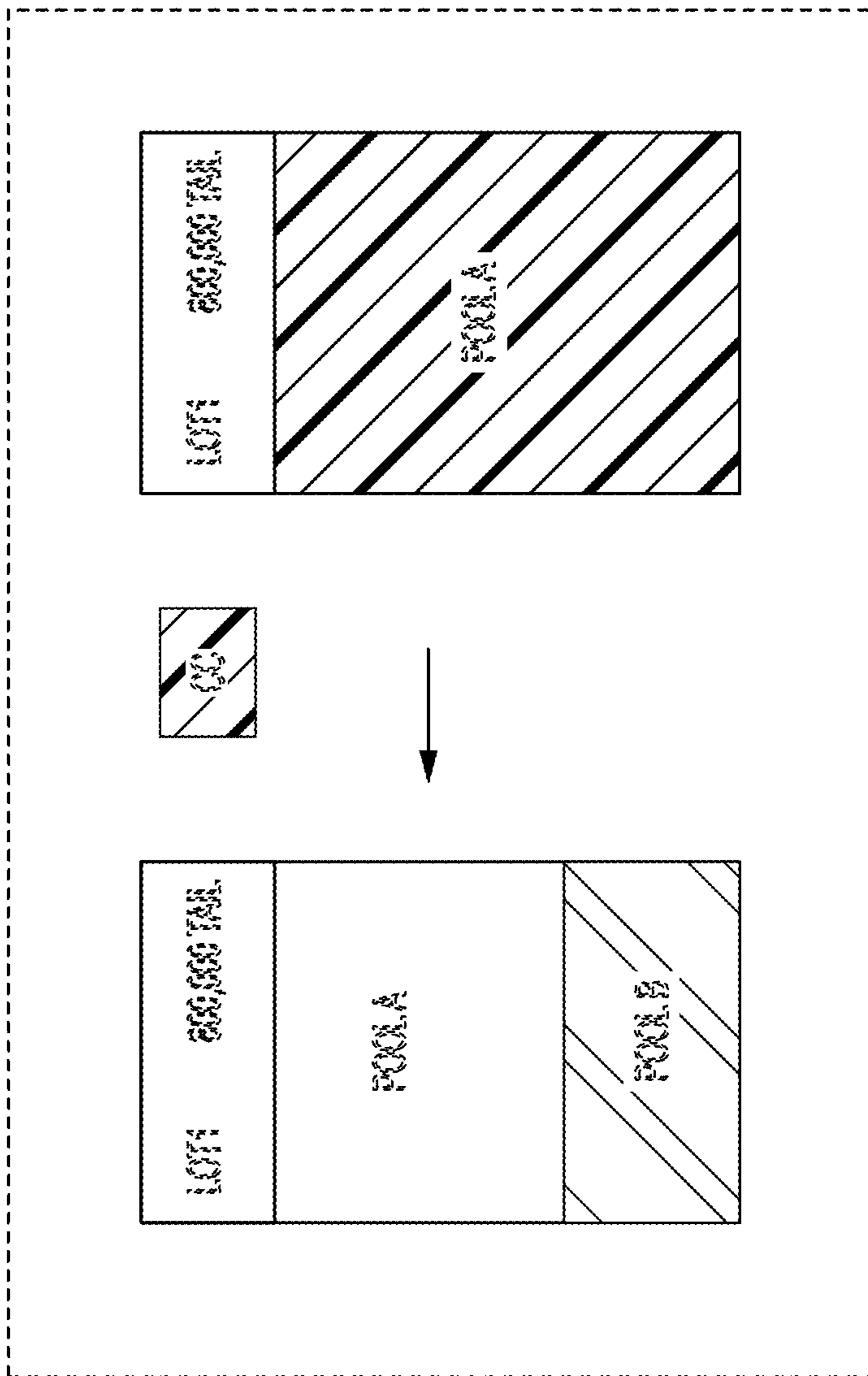


FIG. 2

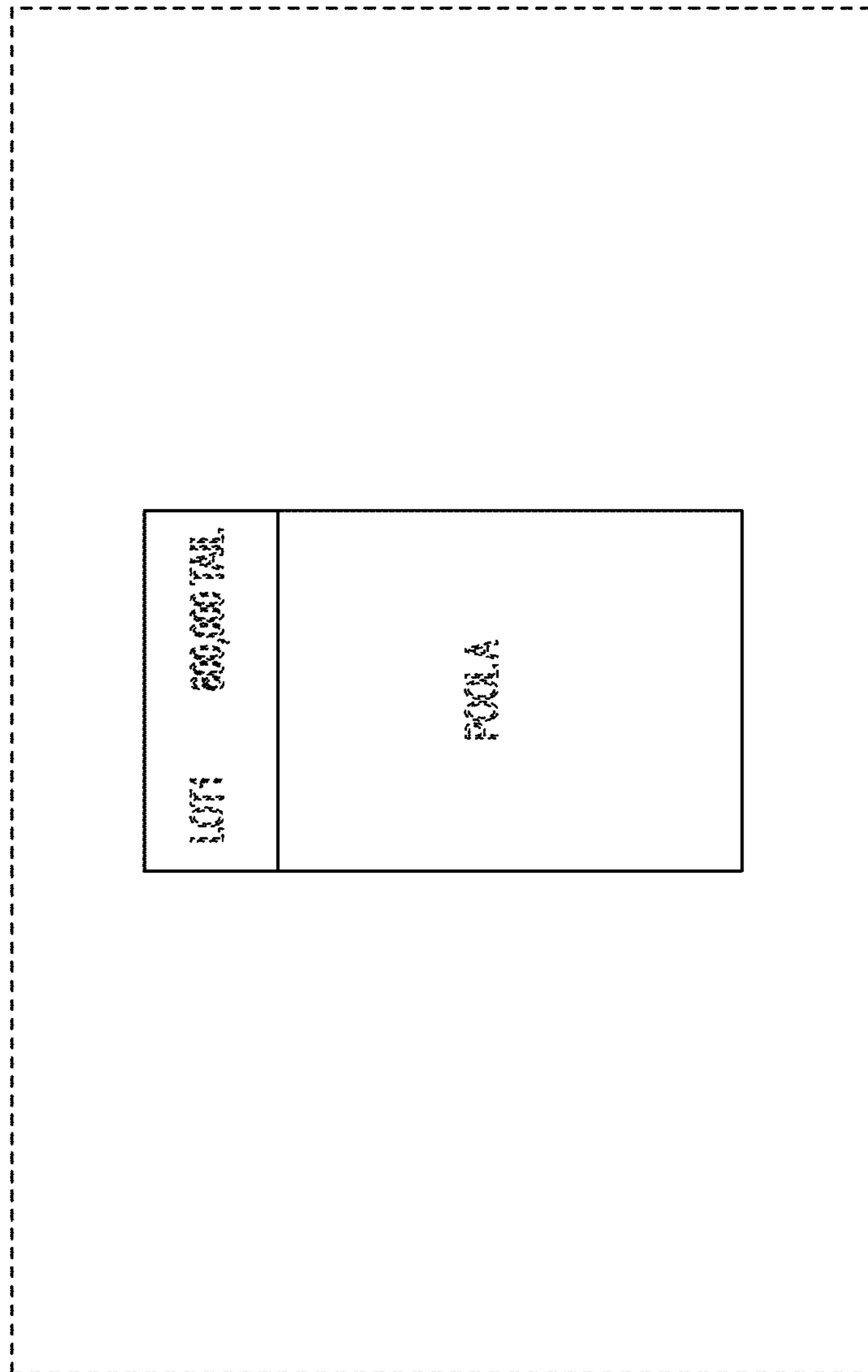


FIG. 3

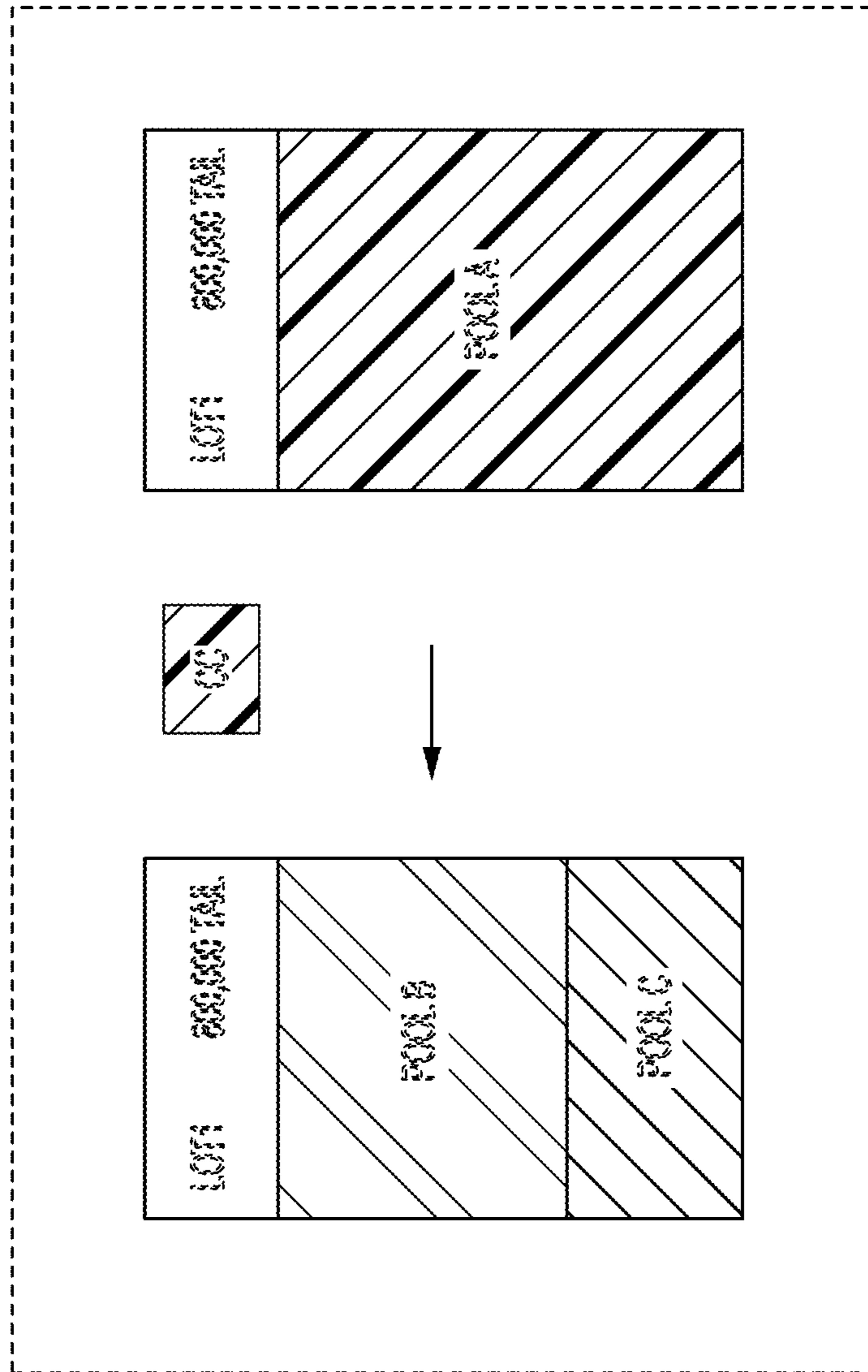


FIG. 4

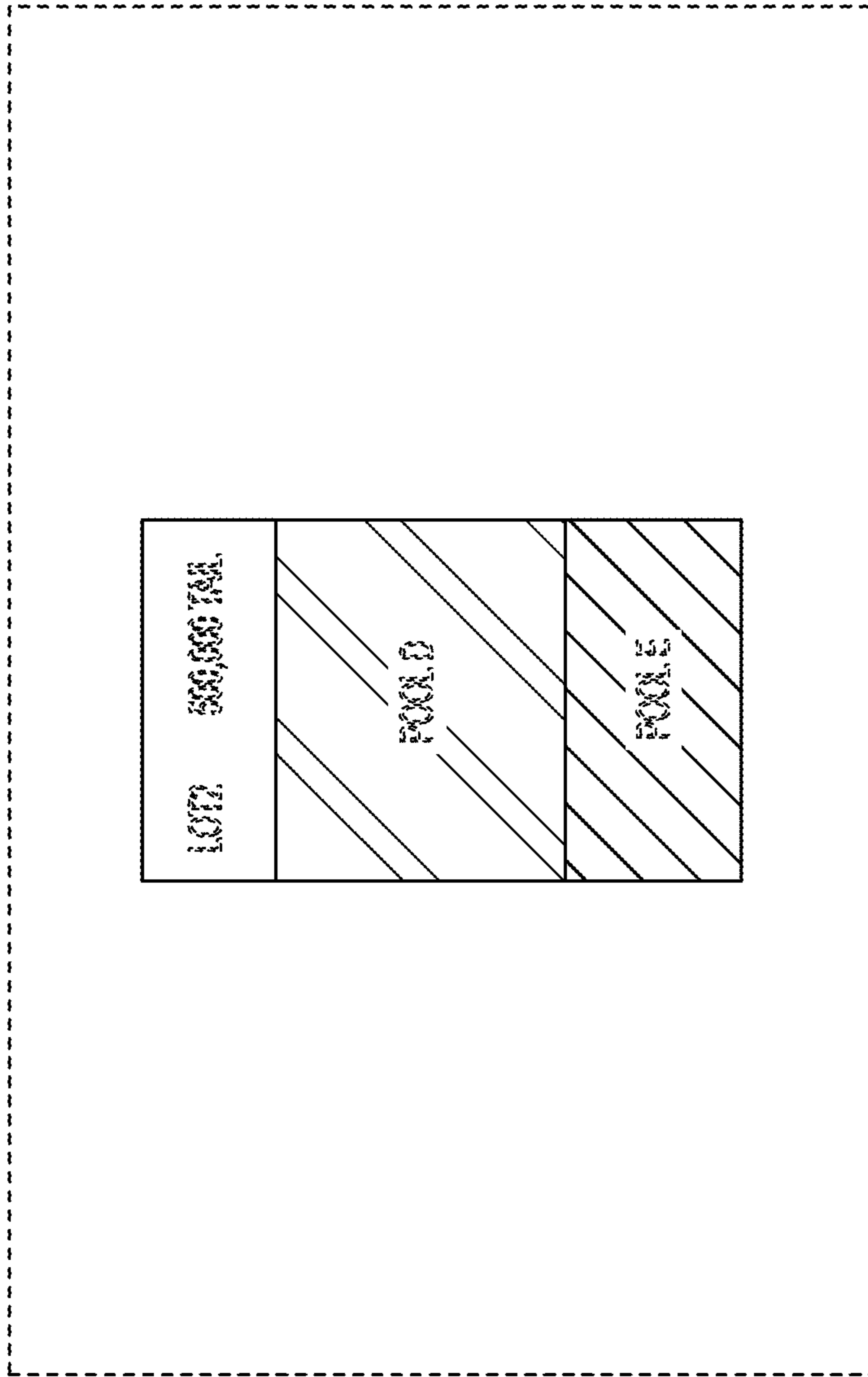


FIG. 5

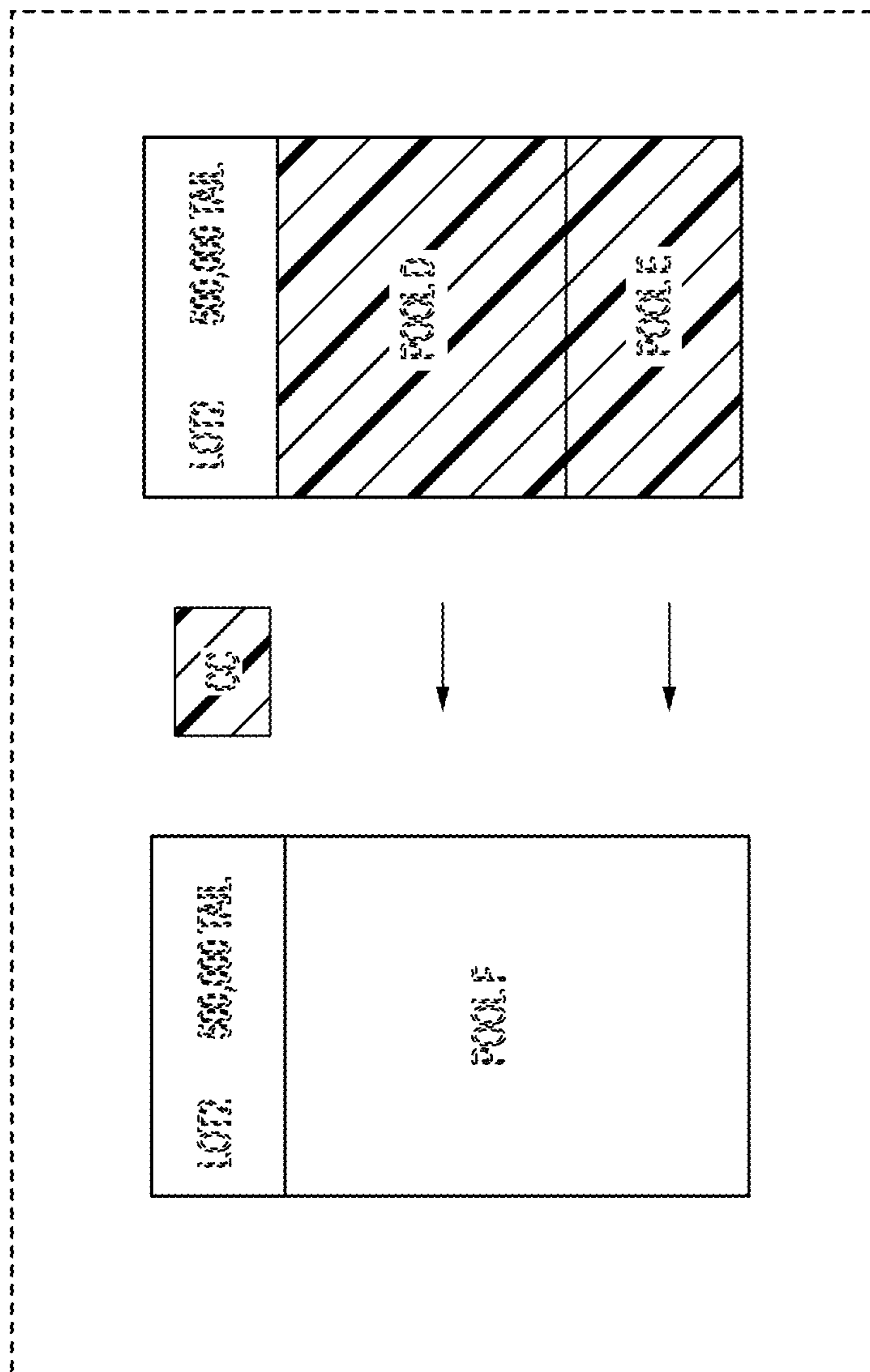


FIG. 6



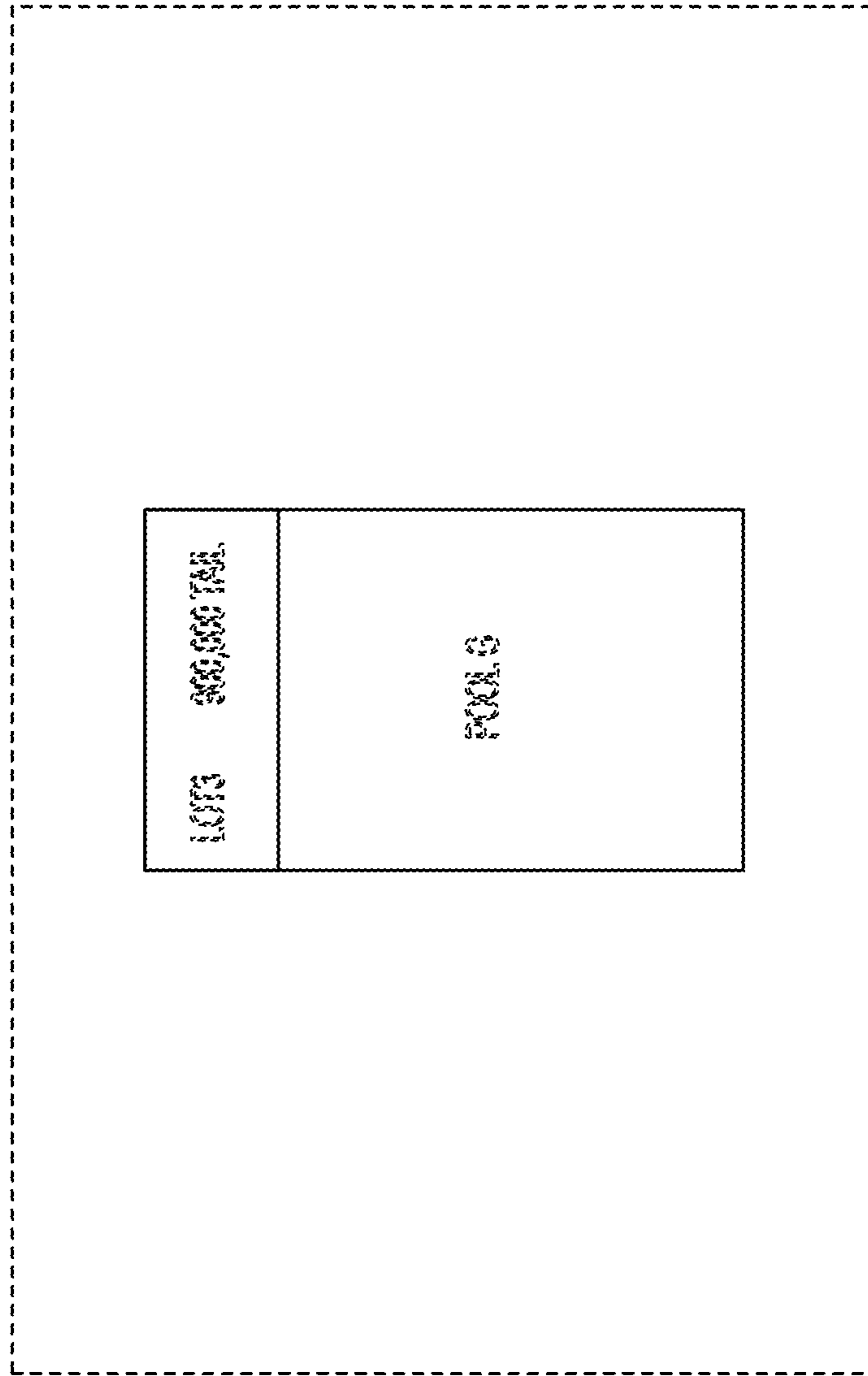


FIG. 7

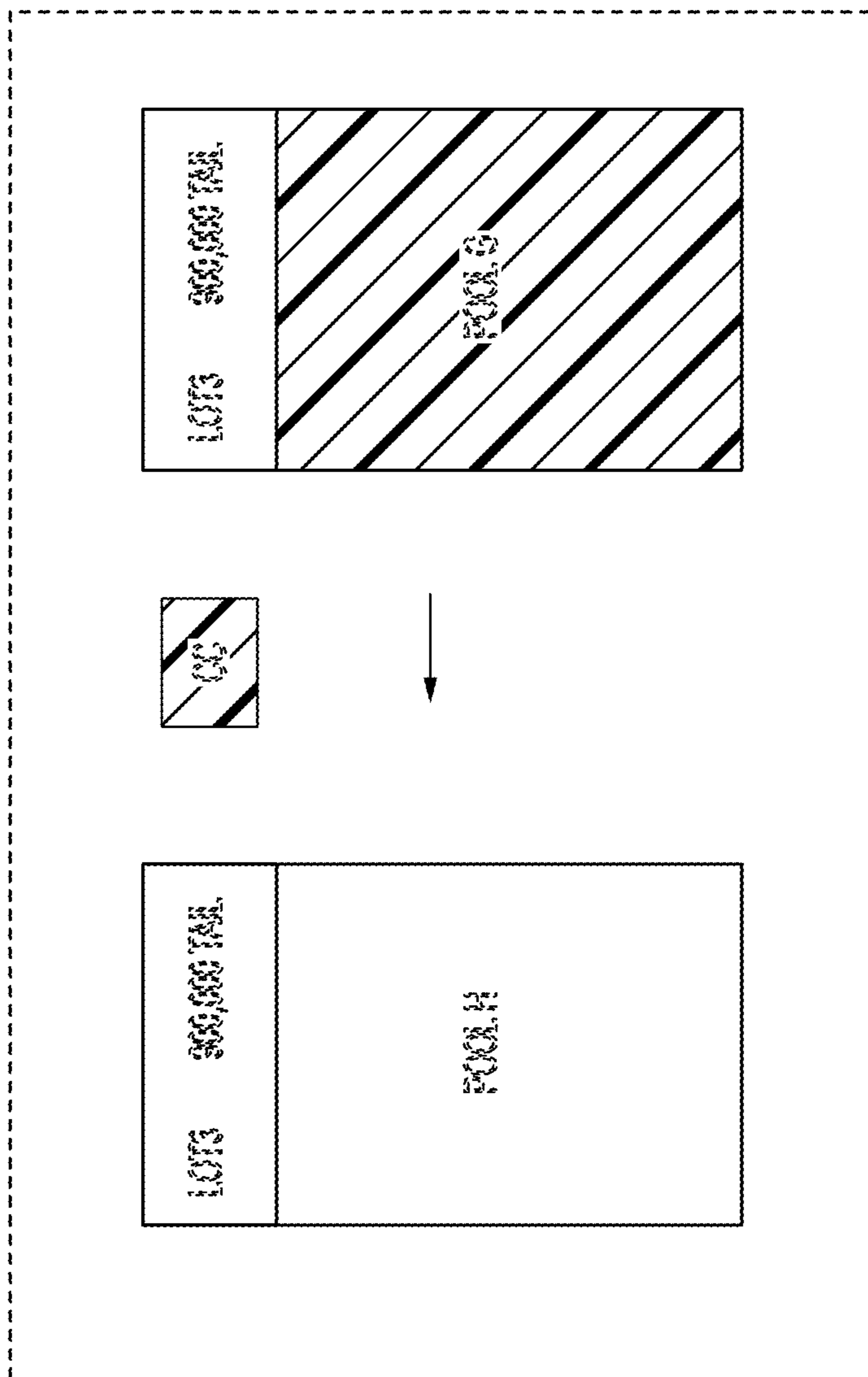


FIG. 8

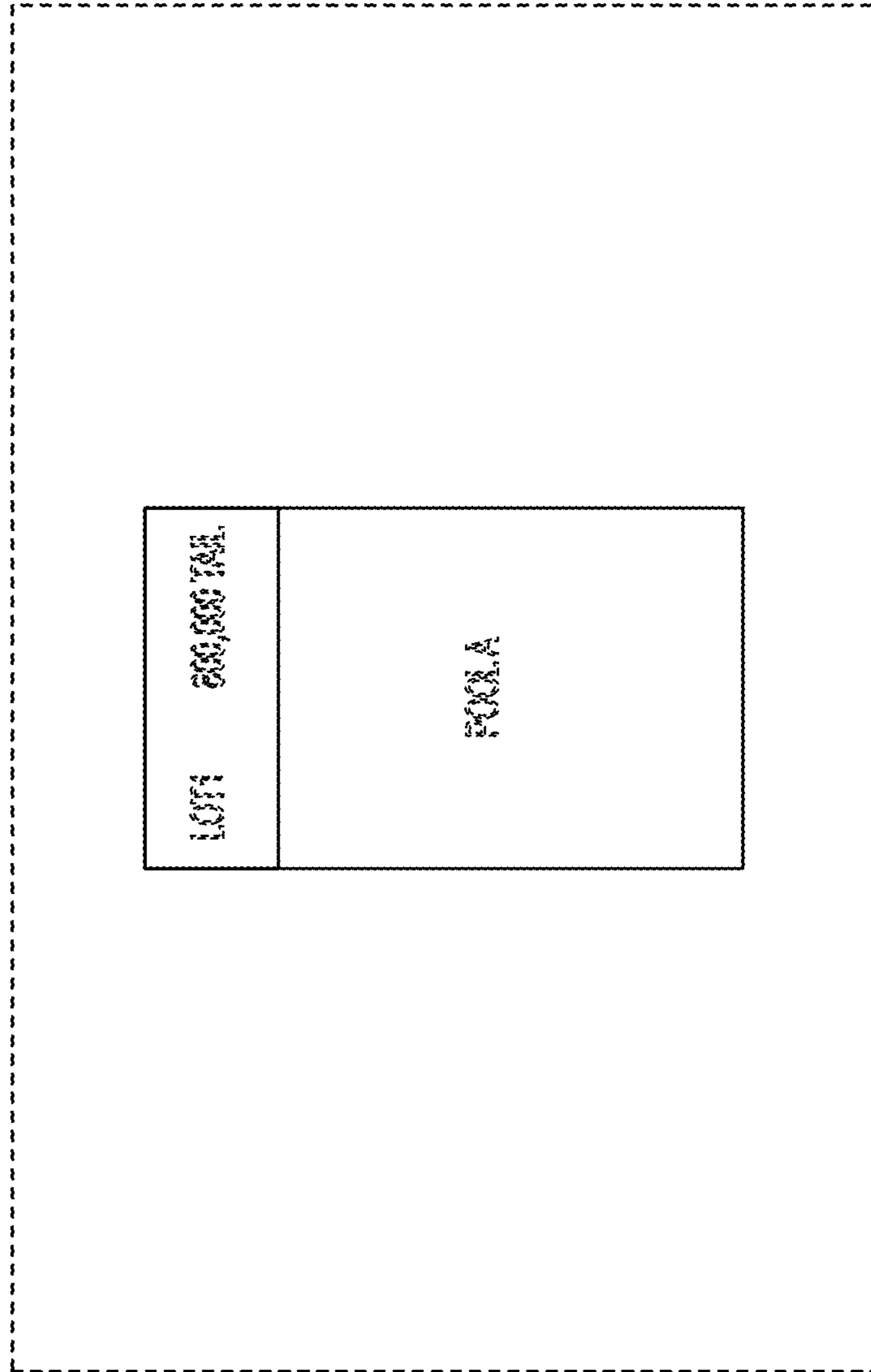


FIG. 9

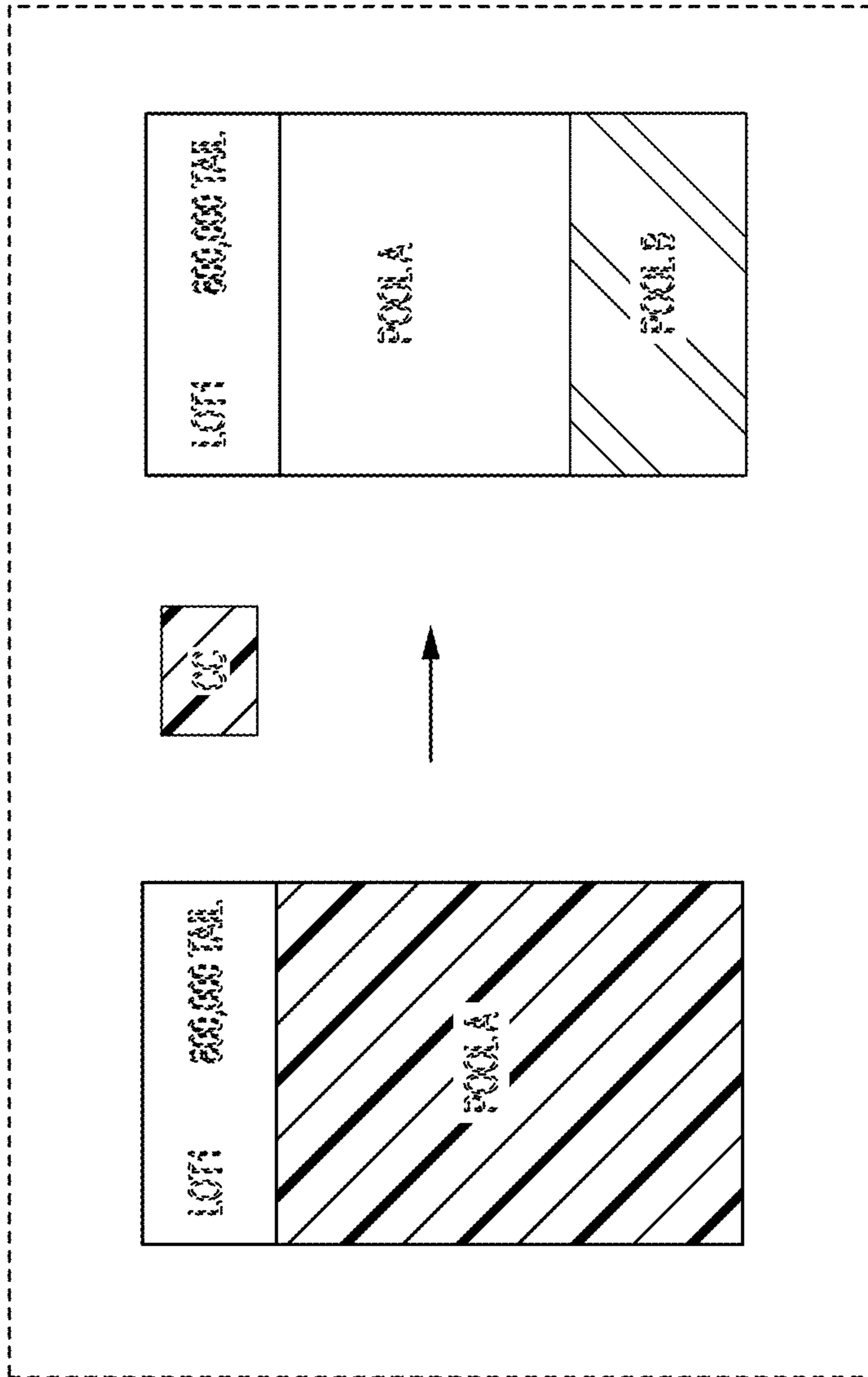


FIG. 10

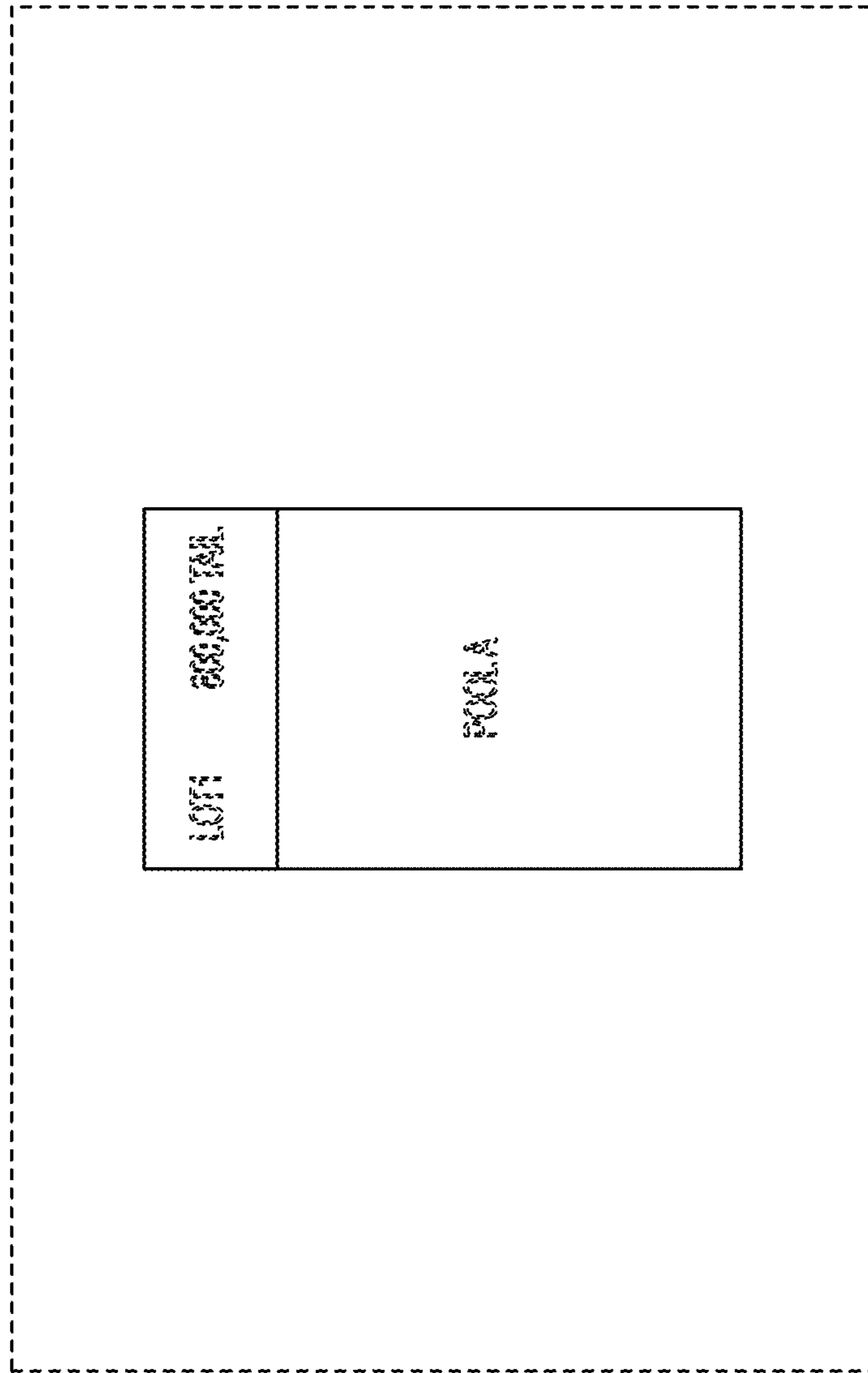


FIG. 11

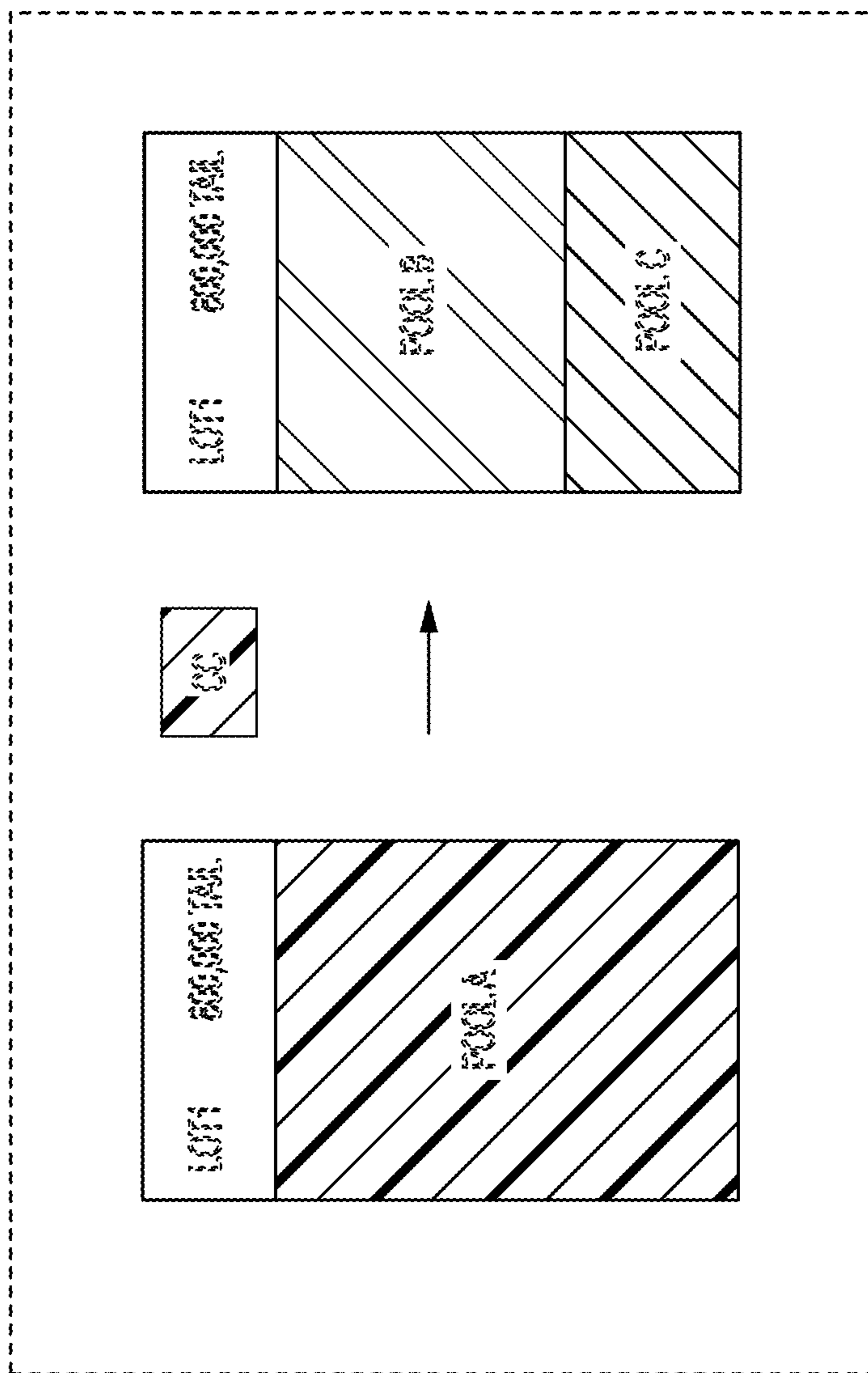


FIG. 12

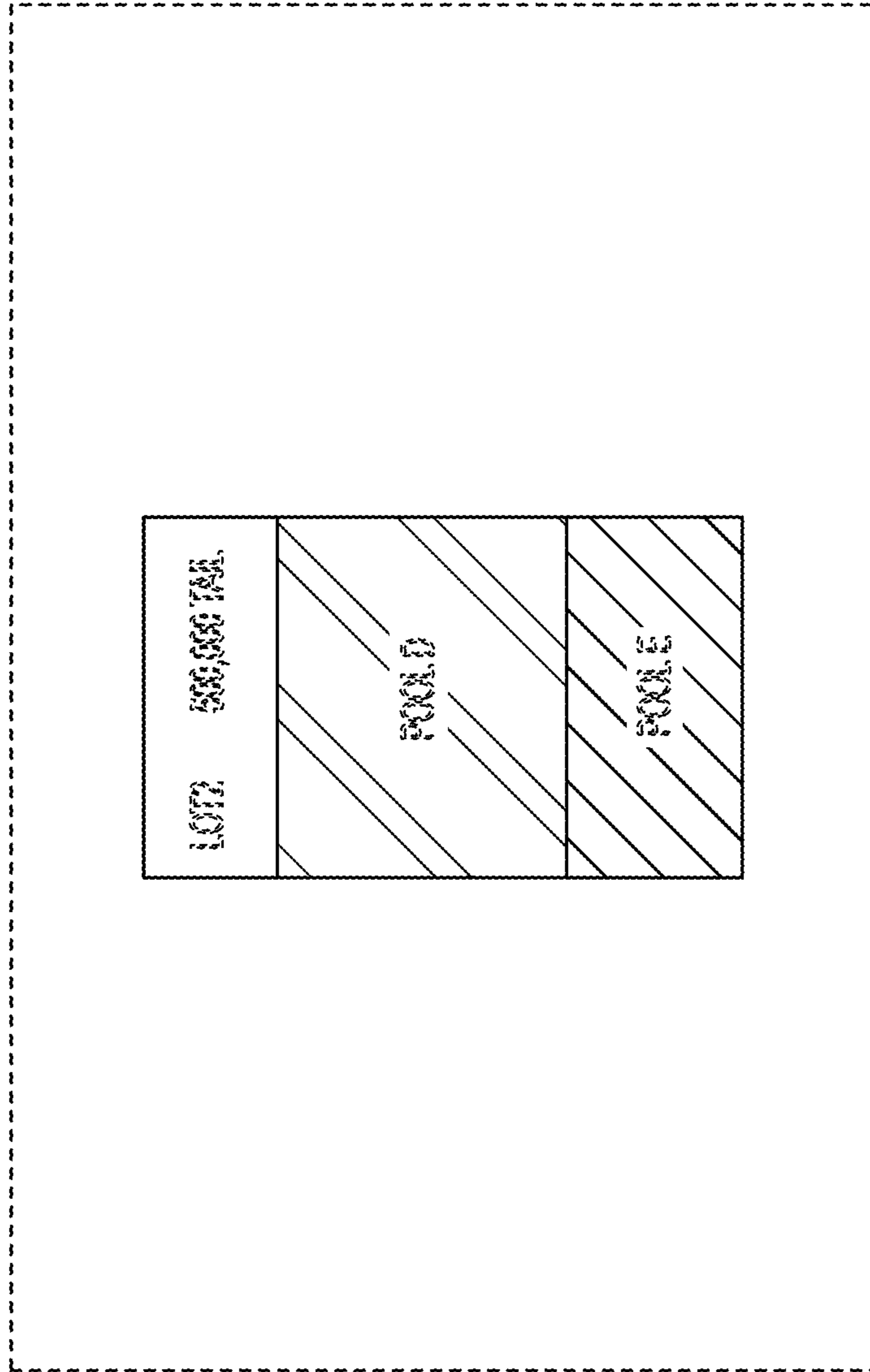


FIG. 13

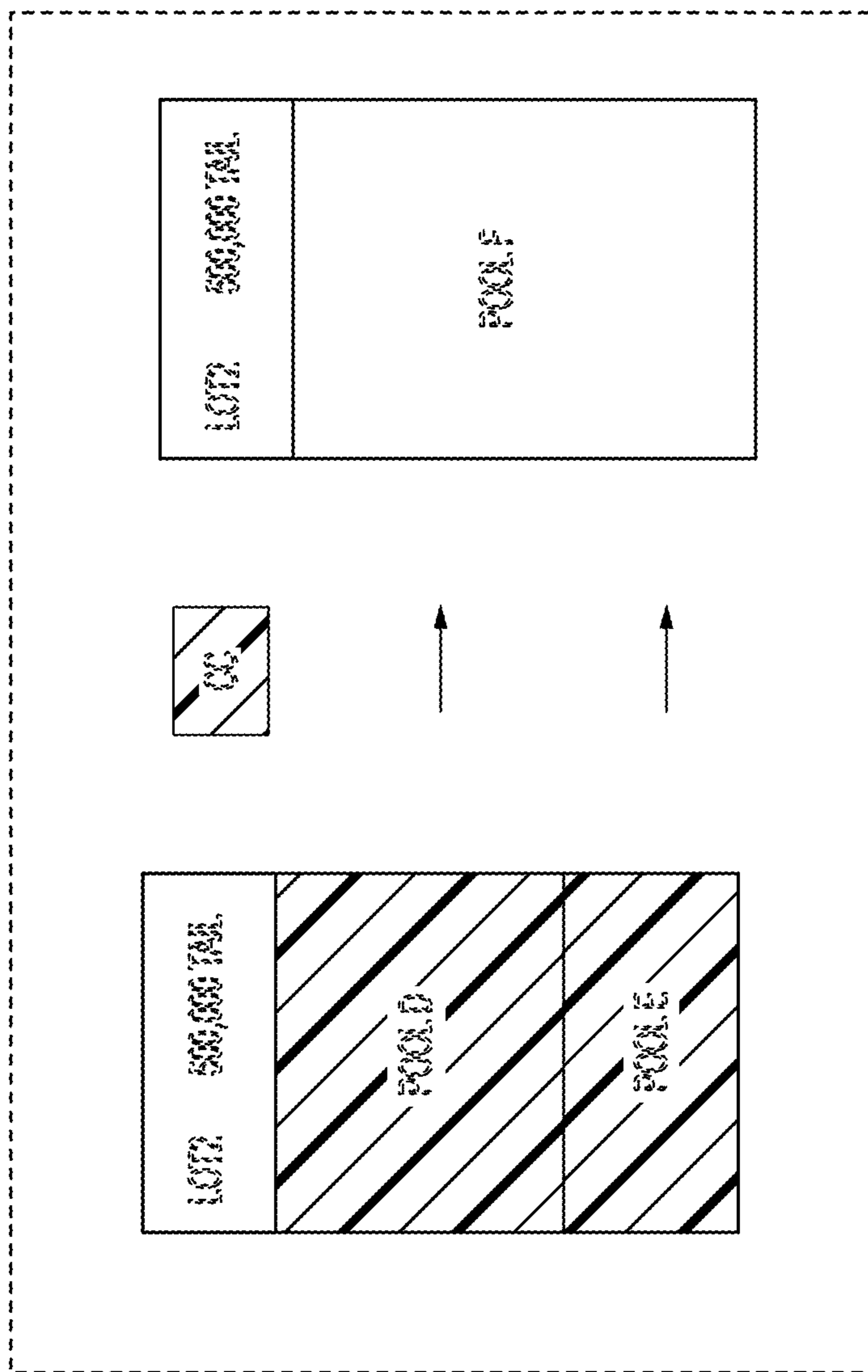


FIG. 14



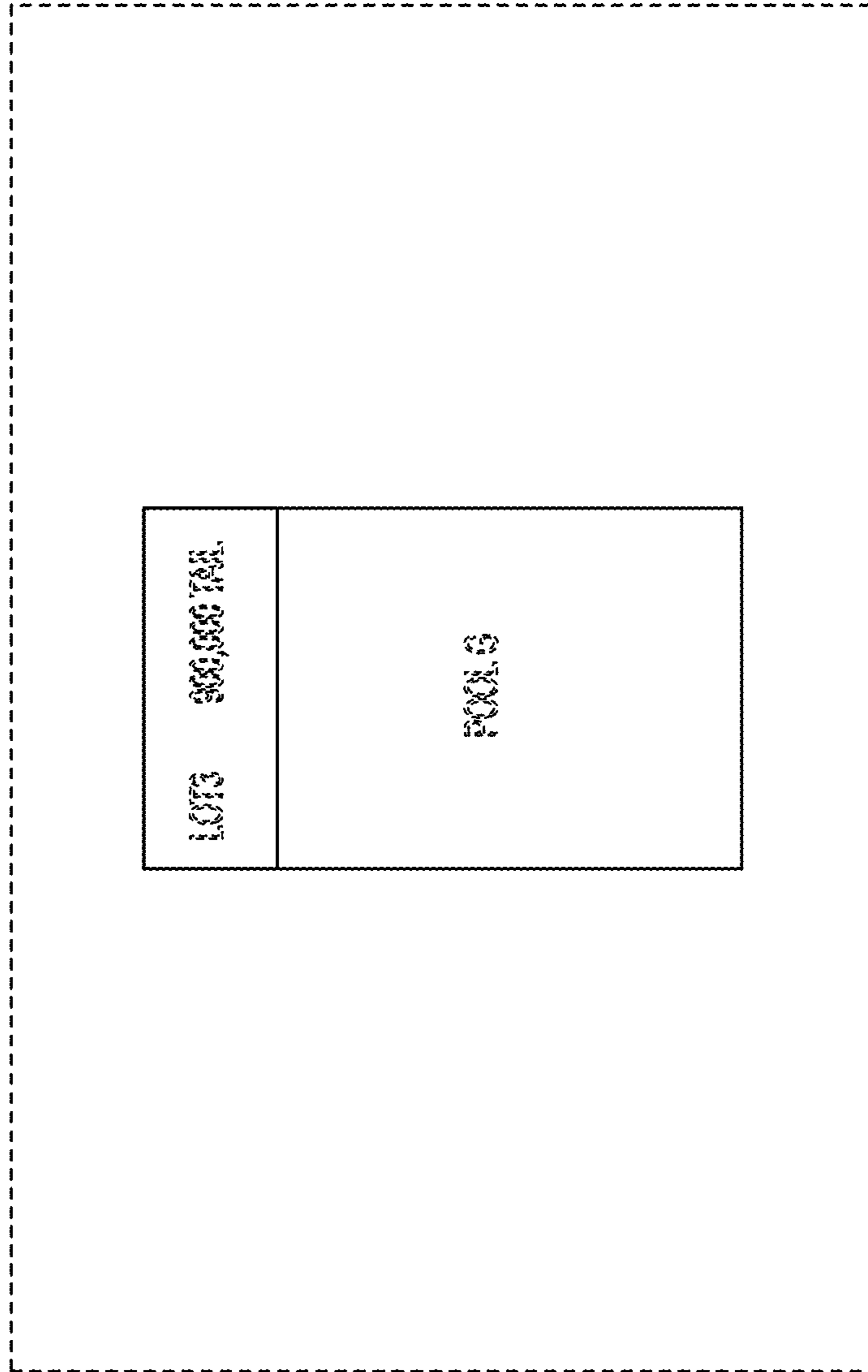


FIG. 15

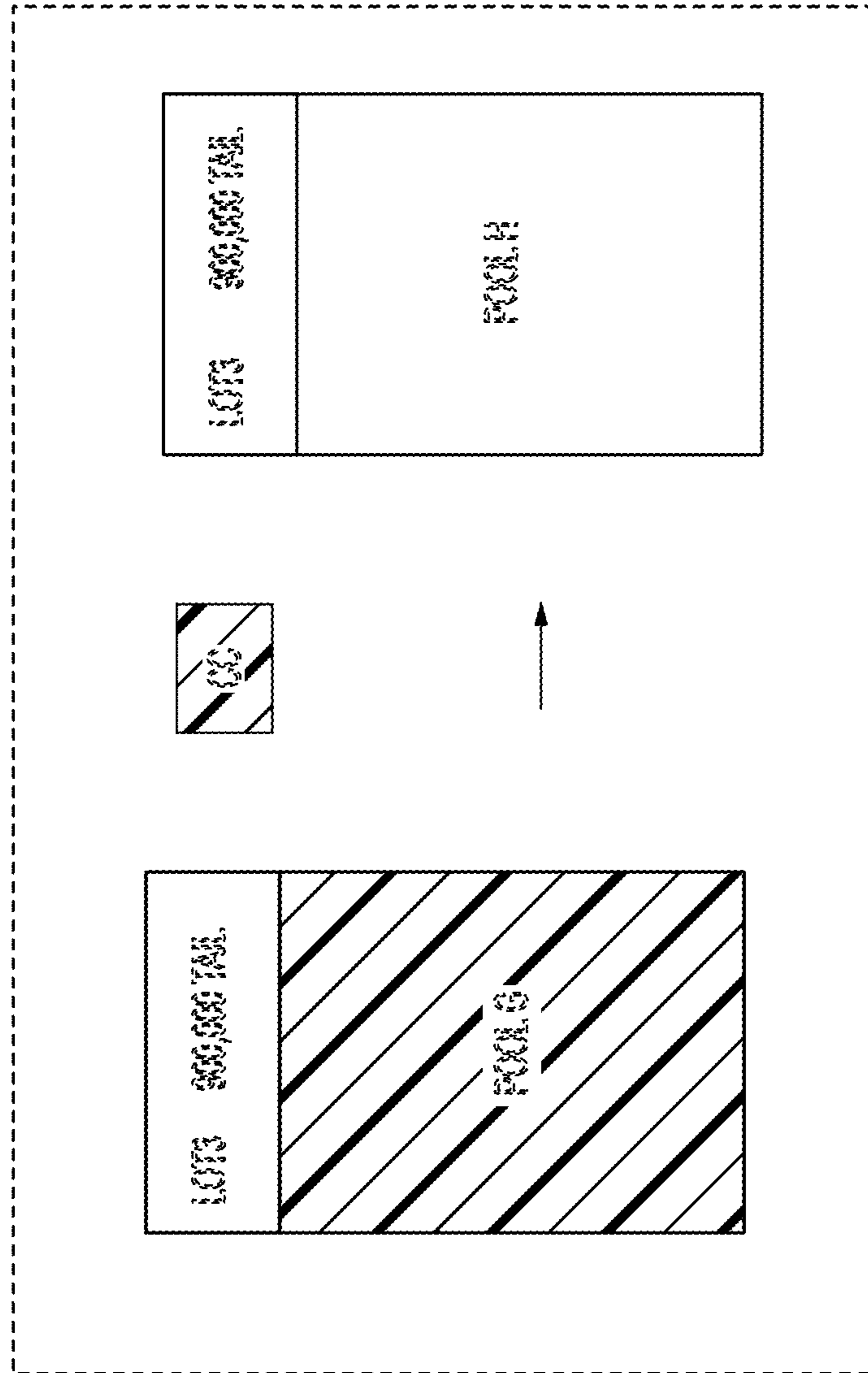


FIG. 16