



US00D813259S

(12) **United States Design Patent**
Dell

(10) **Patent No.: US D813,259 S**
(45) **Date of Patent: ** Mar. 20, 2018**

(54) **DISPLAY SCREEN WITH AN ANIMATED GRAPHICAL USER INTERFACE**

(71) Applicant: **Robert Bosch GmbH**, Stuttgart (DE)

(72) Inventor: **Hermann Dell**, München (DE)

(73) Assignee: **Robert Bosch GmbH**, Stuttgart (DE)

(**) Term: **15 Years**

(21) Appl. No.: **29/572,372**

(22) Filed: **Jul. 27, 2016**

(30) **Foreign Application Priority Data**

Jan. 27, 2016 (EM) 002961672

(51) **LOC (11) Cl.** **14-04**

(52) **U.S. Cl.**
USPC **D14/486**

(58) **Field of Classification Search**
USPC D14/485–495
See application file for complete search history.

(56) **References Cited**

U.S. PATENT DOCUMENTS

- 7,382,913 B2 * 6/2008 Dorranc G01B 11/2755
29/273
- D749,612 S * 2/2016 Noack D14/486
- D749,613 S * 2/2016 Noack D14/486
- D749,614 S * 2/2016 Noack D14/486
- D749,615 S * 2/2016 Noack D14/486
- D749,616 S * 2/2016 Noack D14/486
- D749,618 S * 2/2016 Noack D14/486
- 9,300,864 B2 * 3/2016 Cerruti G01B 11/2755

- 9,587,934 B2 * 3/2017 Rogers G01B 11/2755
- 2005/0096807 A1 * 5/2005 Murray G01B 11/272
33/288
- 2011/0209074 A1 * 8/2011 Gill G06Q 10/20
715/760

OTHER PUBLICATIONS

EN I Bosch FWA 9000 Wheel Alignment—Product Information Video, Bosch Auto Tools, published Mar. 24, 2016, youtube.com [online] , [retrieved Aug. 28, 2017]. Available from internet URL:https://www.youtube.com/watch?v=thKO-PAqnaA.*

* cited by examiner

Primary Examiner — Cathron C Brooks

Assistant Examiner — Andrew T Nemeth

(74) *Attorney, Agent, or Firm* — Maginot, Moore & Beck LLP

(57) **CLAIM**

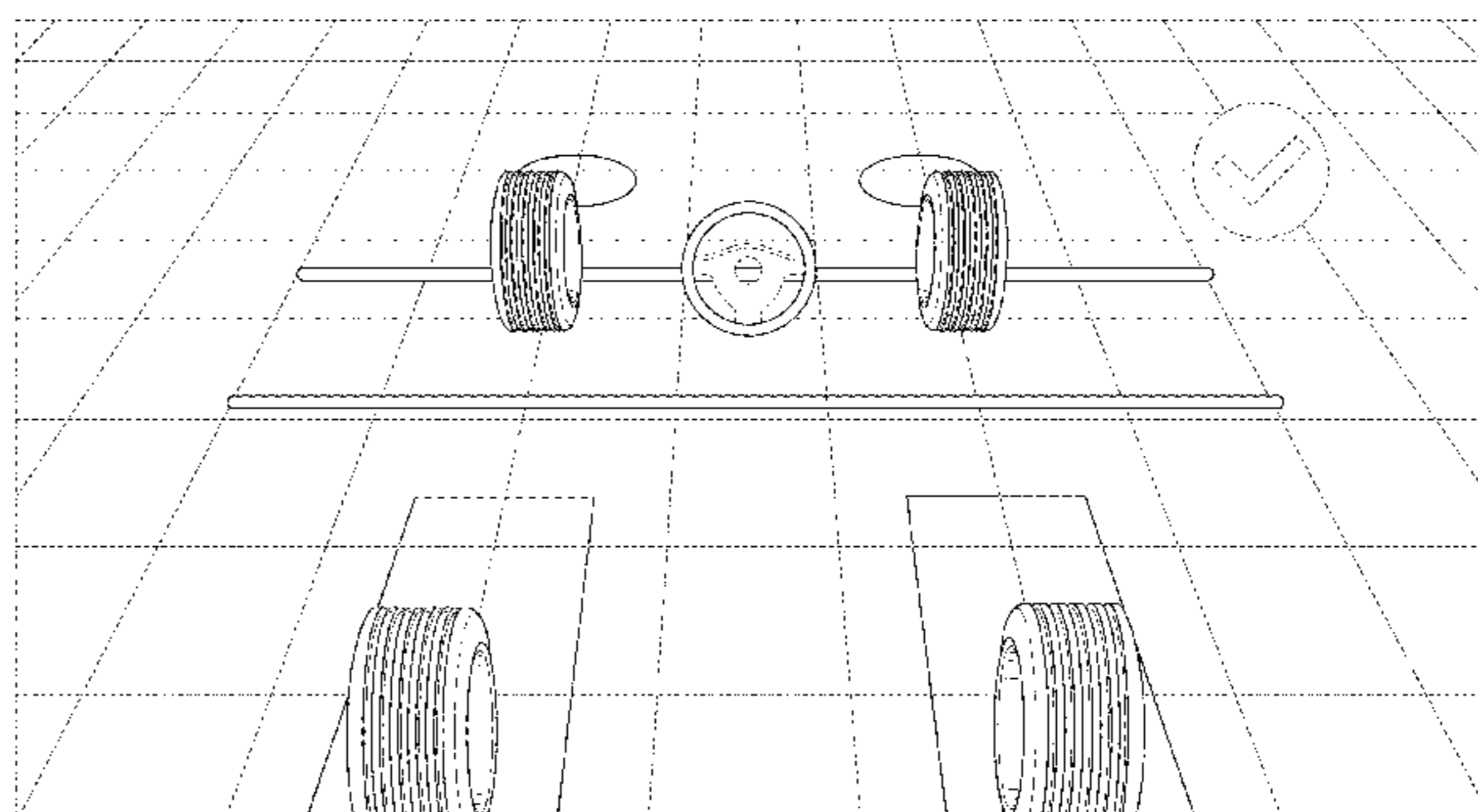
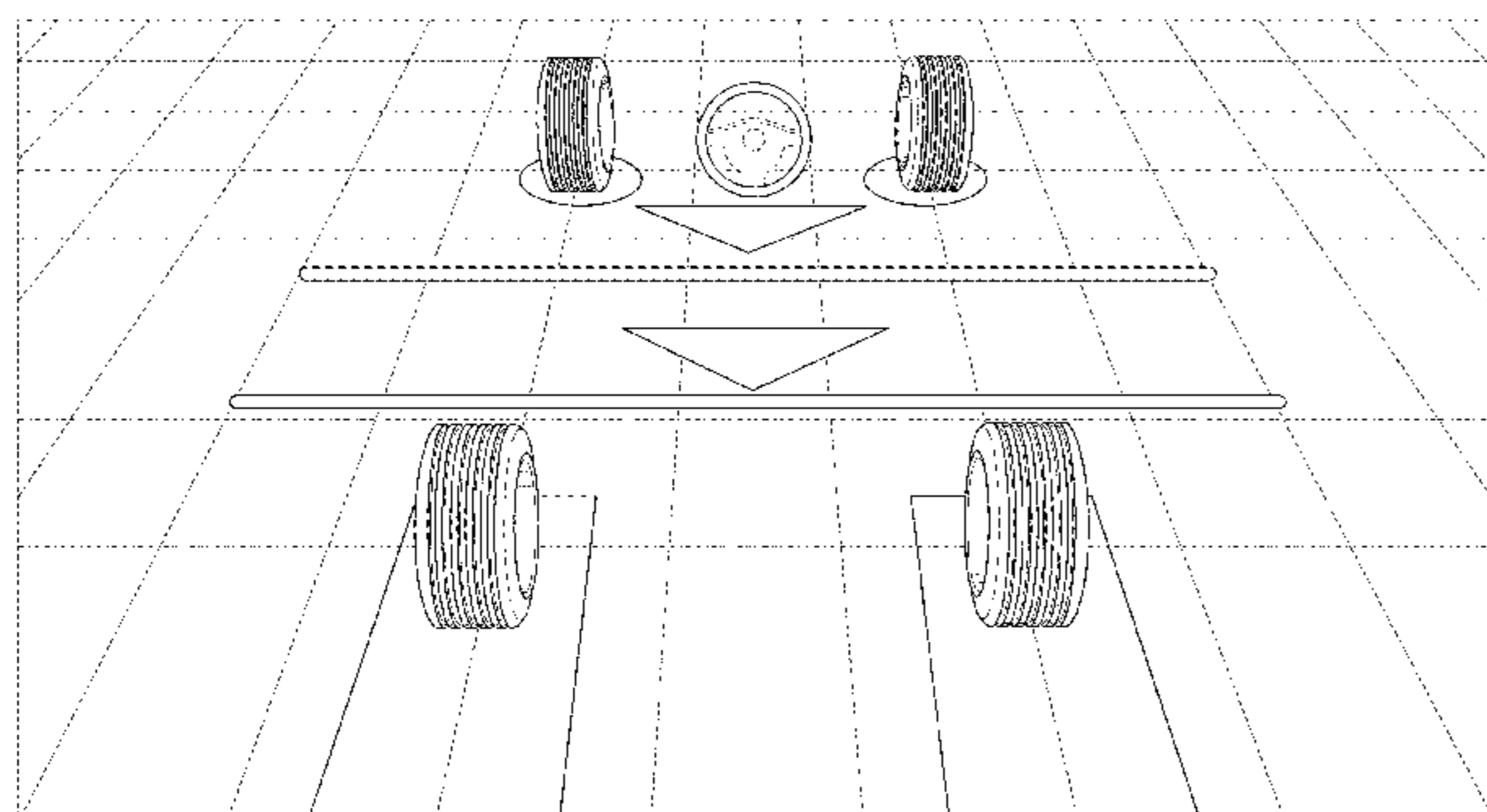
The ornamental design for a display screen with an animated graphical user interface, as shown and described.

DESCRIPTION

FIG. 1 is a front view of a first image in a sequence for a display screen with an animated graphical user interface showing my new design; and, FIG. 2 is a second image thereof.

The appearance of the animated graphical user interface sequentially transitions between the images shown in FIGS. 1 and 2. The process or period in which one image transitions to another forms no part of the claimed design. The broken lines shown in the drawings illustrate portions of the display screen with an animated graphical user interface that form no part of the claimed design.

1 Claim, 2 Drawing Sheets



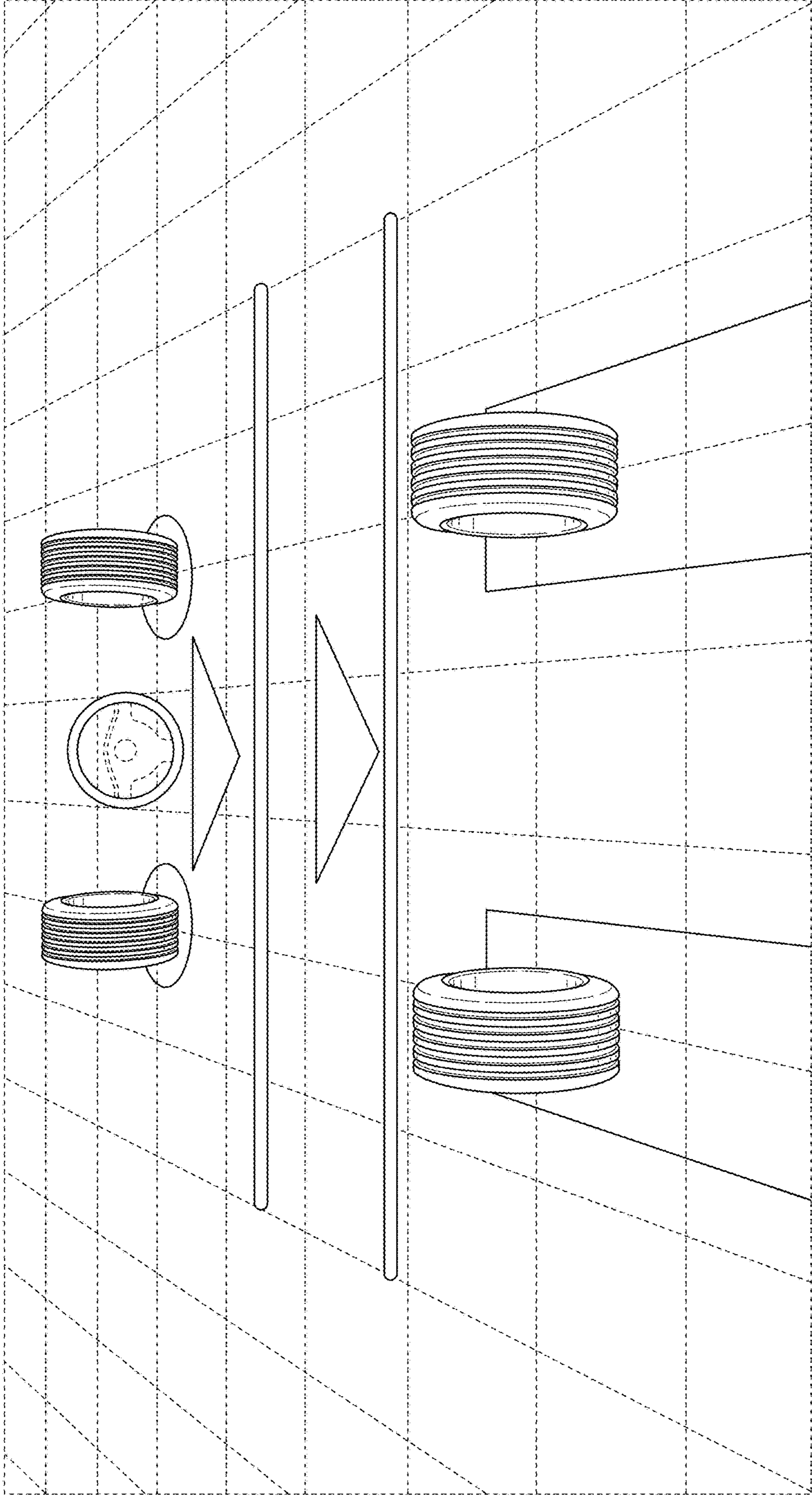


FIG. 1

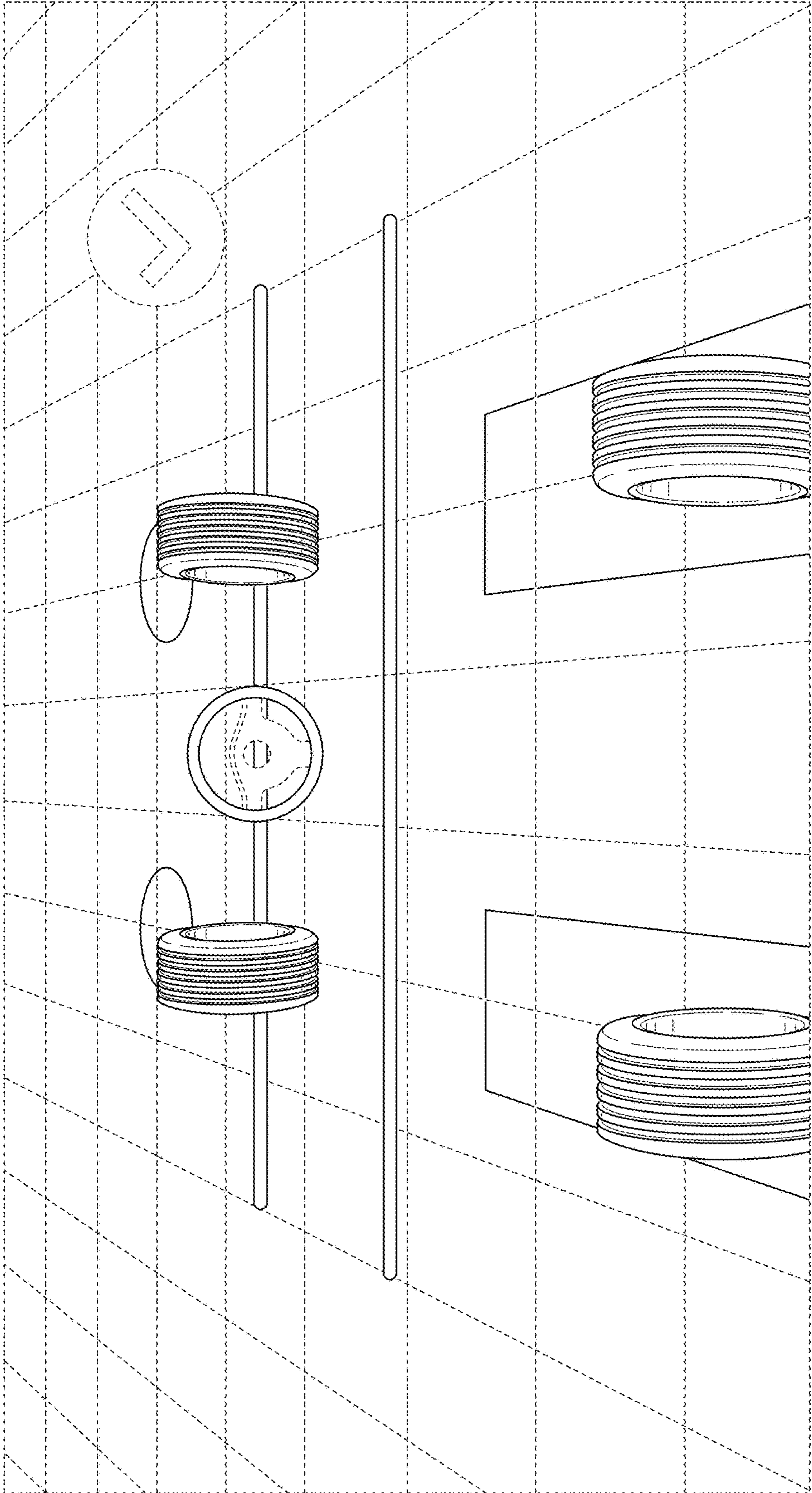


FIG. 2