



US00D813251S

(12) **United States Design Patent** (10) **Patent No.:** **US D813,251 S**
Basu et al. (45) **Date of Patent:** **** Mar. 20, 2018**

(54) **DISPLAY SCREEN WITH ANIMATED GRAPHICAL USER INTERFACE**

(71) Applicant: **Tata Consultancy Services Limited**, Maharashtra (IN)

(72) Inventors: **Indira Basu**, Gujarat (IN); **Sourav Maulik**, Gujarat (IN); **Nekin Vachhani**, Gujarat (IN); **Sanjay Nayak**, Gujarat (IN)

(73) Assignee: **TATA CONSULTANCY SERVICES LIMITED** (IN)

(**) Term: **15 Years**

(21) Appl. No.: **29/595,320**

(22) Filed: **Feb. 27, 2017**

(51) **LOC (11) Cl.** **14-04**

(52) **U.S. Cl.**
USPC **D14/485**

(58) **Field of Classification Search**
USPC D14/485-495
CPC .. G06F 3/048; G06F 3/04842; G06F 3/04847; G06F 3/0481; G06F 17/211; G06F 17/212

See application file for complete search history.

(56) **References Cited**

U.S. PATENT DOCUMENTS

| | | | | |
|--------------|---------|----------|-------|---------|
| D569,875 S * | 5/2008 | Fletcher | | D14/488 |
| D593,576 S * | 6/2009 | Ball | | D14/486 |
| D636,392 S * | 4/2011 | Akana | | D14/341 |
| D660,862 S * | 5/2012 | Anzures | | D14/486 |
| D660,864 S * | 5/2012 | Anzures | | D14/486 |
| D670,723 S * | 11/2012 | Khan | | D14/486 |
| D677,326 S * | 3/2013 | Gleasant | | D18/27 |

(Continued)

Primary Examiner — Darlington Ly
Assistant Examiner — Daniel J Domino

(74) *Attorney, Agent, or Firm* — Hayes Soloway P.C.

(57) **CLAIM**

We claim the ornamental design for a display screen with animated graphical user interface, as shown and described.

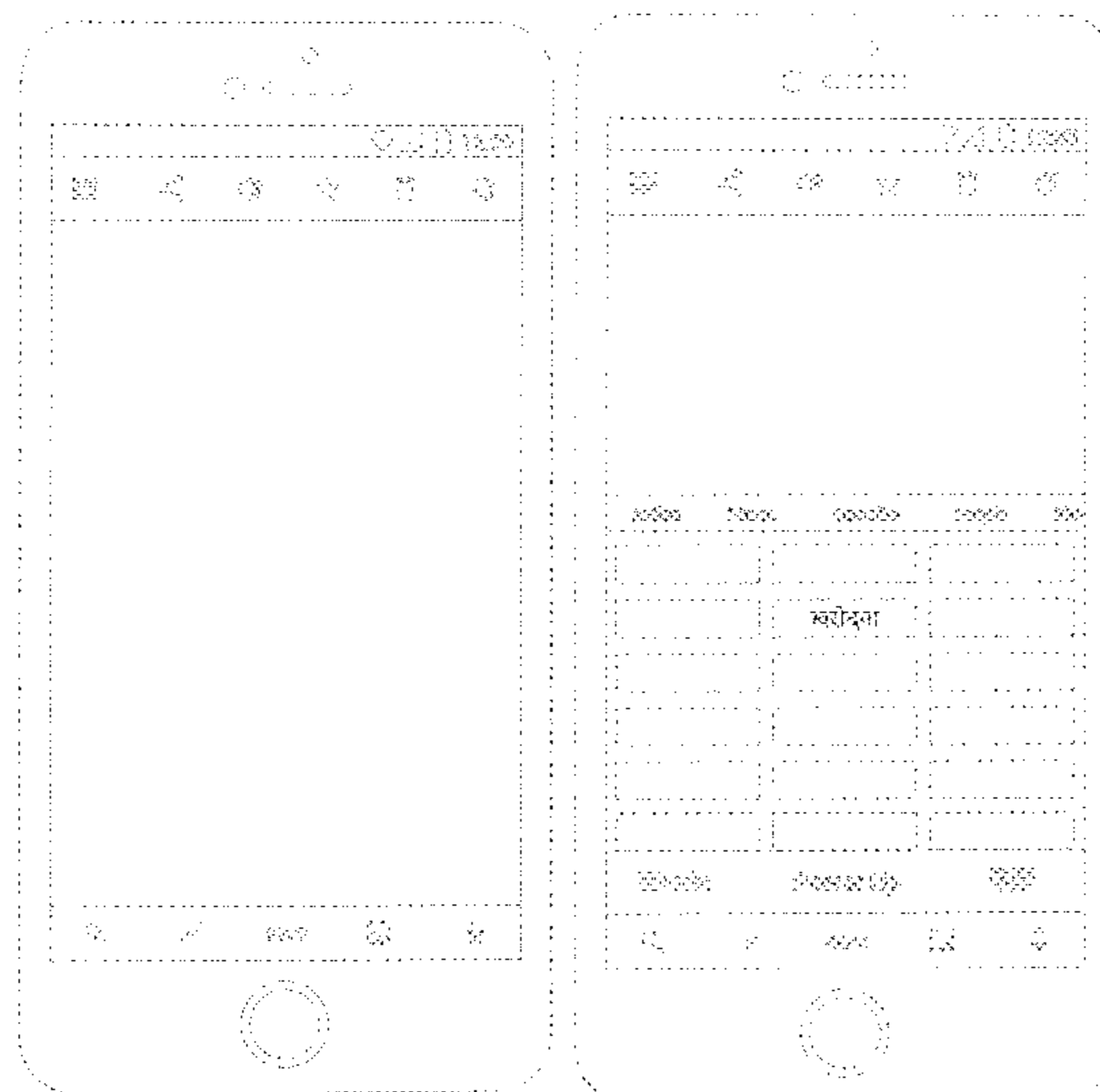
DESCRIPTION

FIG. 1 is a front view of a display screen with animated graphical user interface or a portion thereof; FIG. 2 is a front view of a second image thereof; FIG. 3 is a front view of a third image thereof; FIG. 4 is a front view of a fourth image thereof; FIG. 5 is a front view of a fifth image thereof; FIG. 6 is a front view of a sixth image thereof; FIG. 7 is a front view of a seventh image thereof; FIG. 8 is a front view of an eighth image thereof; FIG. 9 is a front view of a ninth image thereof; FIG. 10 is a front view of a tenth image thereof; FIG. 11 is a front view of an eleventh image thereof; FIG. 12 is a front view of a twelfth image thereof; FIG. 13 is a front view of a thirteenth image thereof; FIG. 14 is a front view of a fourteenth image thereof; FIG. 15 is a front view of a fifteenth image thereof; FIG. 16 is a front view of a sixteenth image thereof; FIG. 17 is a front view of a seventeenth image thereof; FIG. 18 is a front view of an eighteenth image thereof; FIG. 19 is a front view of a nineteenth image thereof; FIG. 20 is a front view of a twentieth image thereof; and, FIG. 21 is a front view of a twenty-first image thereof.

The appearance of the animated graphical user interface transitions sequentially between the images shown in FIGS. 1-21. The process or period in which one image transitions to another forms no part of the claimed design.

The broken lines showing an electronic device illustrate environmental subject matter, whereas the broken lines showing a display screen and elements of the graphical user interface illustrate portions of the article. No subject matter depicted in broken lines form part of the claimed design.

1 Claim, 21 Drawing Sheets



(56)

References Cited

U.S. PATENT DOCUMENTS

| | | | | | | | |
|--------------|---------|----------------|---------|-------------------|---------|-------------------|------------------------|
| D682,881 S * | 5/2013 | Davydov | D14/492 | D749,114 S * | 2/2016 | Tanaka | D14/486 |
| D699,733 S * | 2/2014 | Chaudhri | D14/486 | D750,109 S * | 2/2016 | Schaedle | D14/486 |
| D701,868 S * | 4/2014 | Chaudhri | D14/486 | D750,637 S * | 3/2016 | Chaudhri | D14/485 |
| D703,695 S * | 4/2014 | Anzures | D14/488 | D752,037 S * | 3/2016 | Akana | D14/341 |
| D711,897 S * | 8/2014 | Chaudhri | D14/486 | D753,139 S * | 4/2016 | Bovet | D14/485 |
| D716,837 S * | 11/2014 | Bickel | D14/487 | D762,223 S * | 7/2016 | Alonso Ruiz | D14/485 |
| D722,320 S * | 2/2015 | Lee | D14/486 | D762,698 S * | 8/2016 | Na | D14/486 |
| D726,743 S * | 4/2015 | Sands | D14/486 | D771,114 S * | 11/2016 | Lee | D14/487 |
| D730,388 S * | 5/2015 | Rehberg | D14/488 | D772,925 S * | 11/2016 | Zhou | D14/488 |
| D733,183 S * | 6/2015 | Lee | D14/488 | D774,088 S * | 12/2016 | Park | D14/485 |
| D734,358 S * | 7/2015 | Rehberg | D14/487 | D775,138 S * | 12/2016 | van Os | D14/485 |
| D737,833 S * | 9/2015 | Anzures | D14/485 | D775,164 S * | 12/2016 | Anzures | D14/486 |
| D738,897 S * | 9/2015 | Soegiono | D14/486 | D778,937 S * | 2/2017 | Murata | D14/486 |
| D738,904 S * | 9/2015 | Tyler | D14/488 | 2012/0117504 A1 * | 5/2012 | Lemay | G06F 8/61 715/772 |
| D739,433 S * | 9/2015 | Kim | D14/489 | 2012/0131510 A1 * | 5/2012 | Forstall | G01C 21/20 715/835 |
| D741,353 S * | 10/2015 | Anzures | D14/487 | 2013/0254717 A1 * | 9/2013 | Al-Ali | G06F 3/0488 715/830 |
| D747,741 S * | 1/2016 | Paniaras | D14/492 | | | | |

* cited by examiner



Fig 1

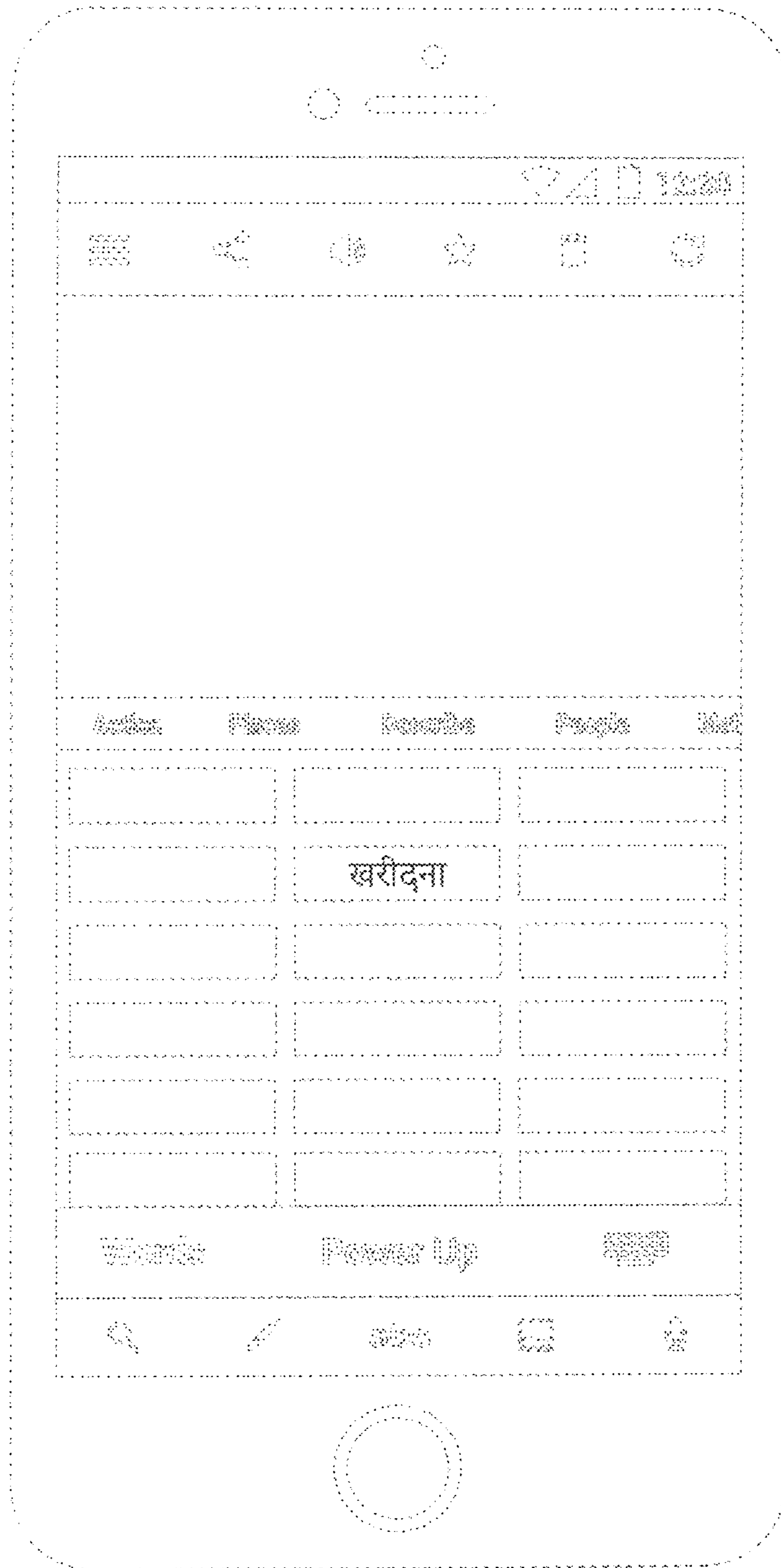


Fig 2



Fig 3

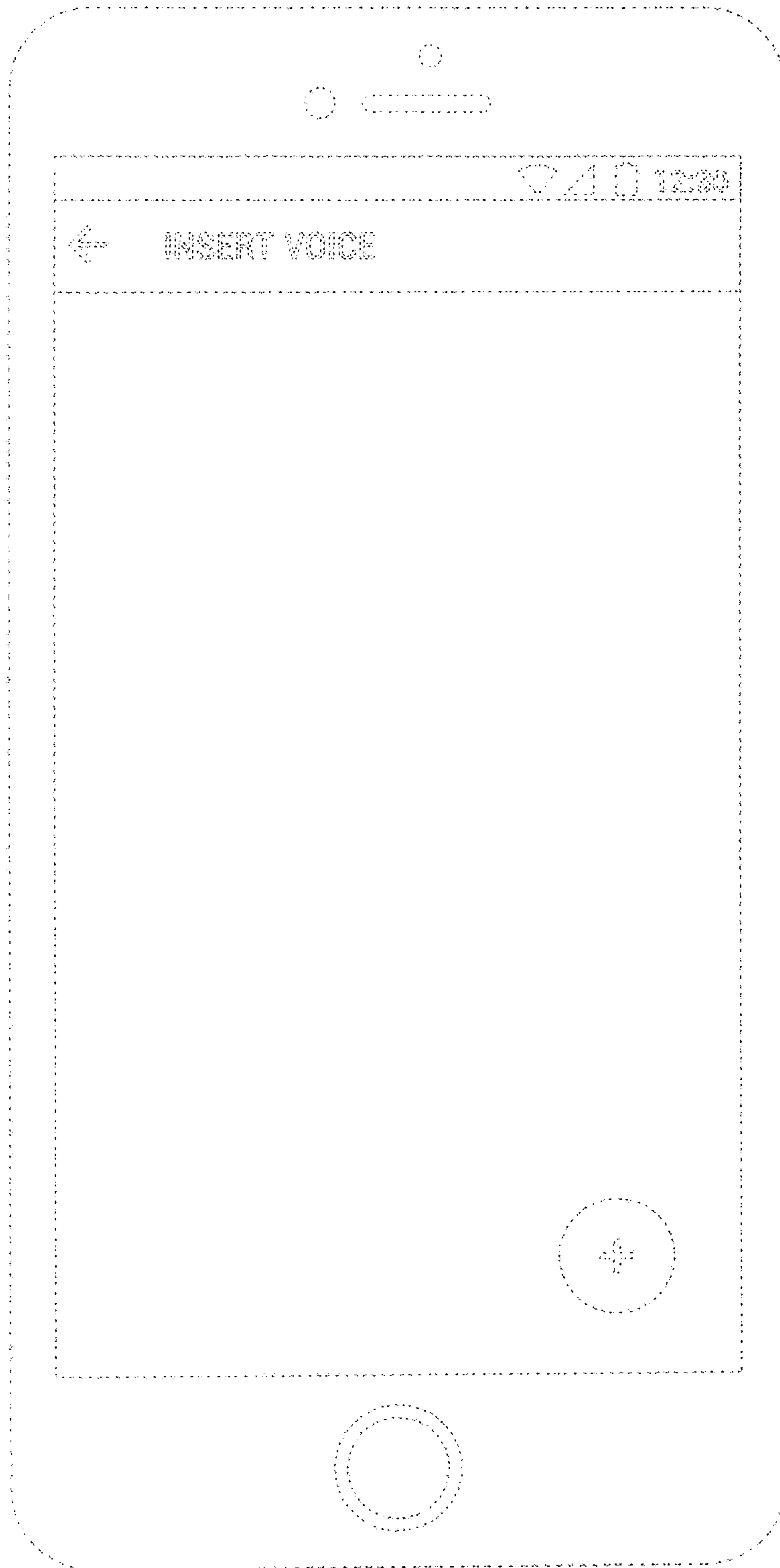


Fig 4

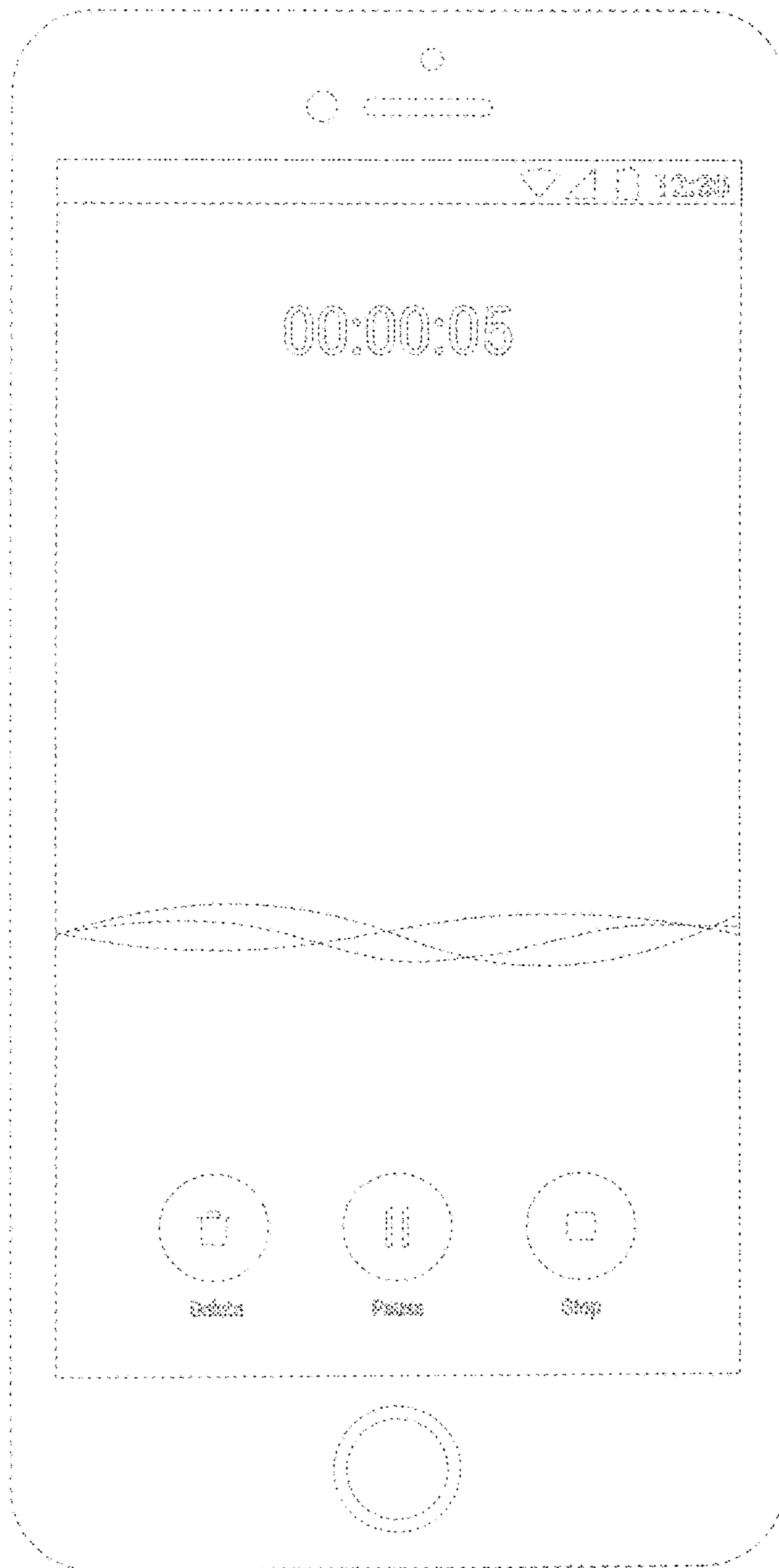


Fig 5

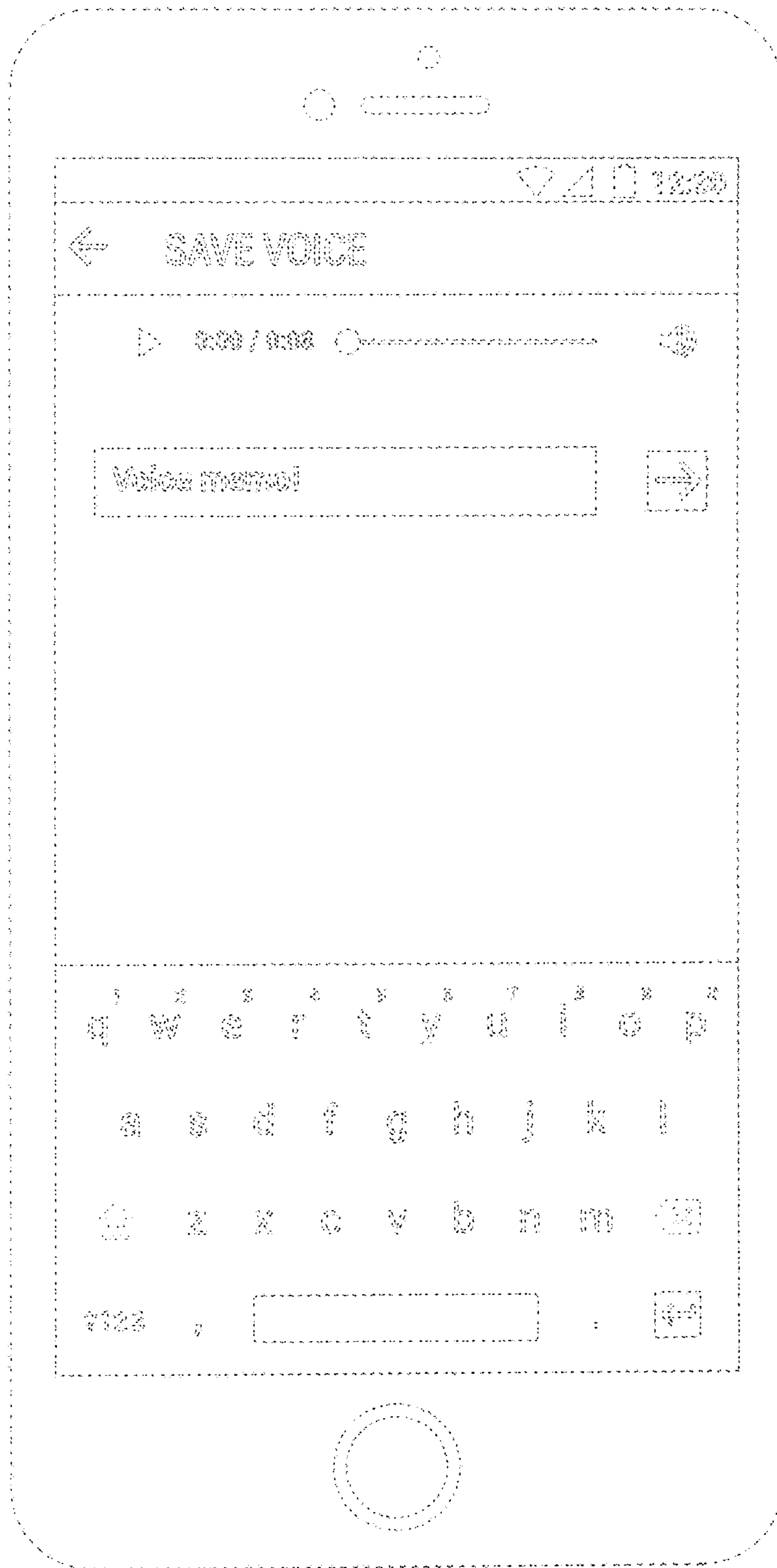


Fig 6

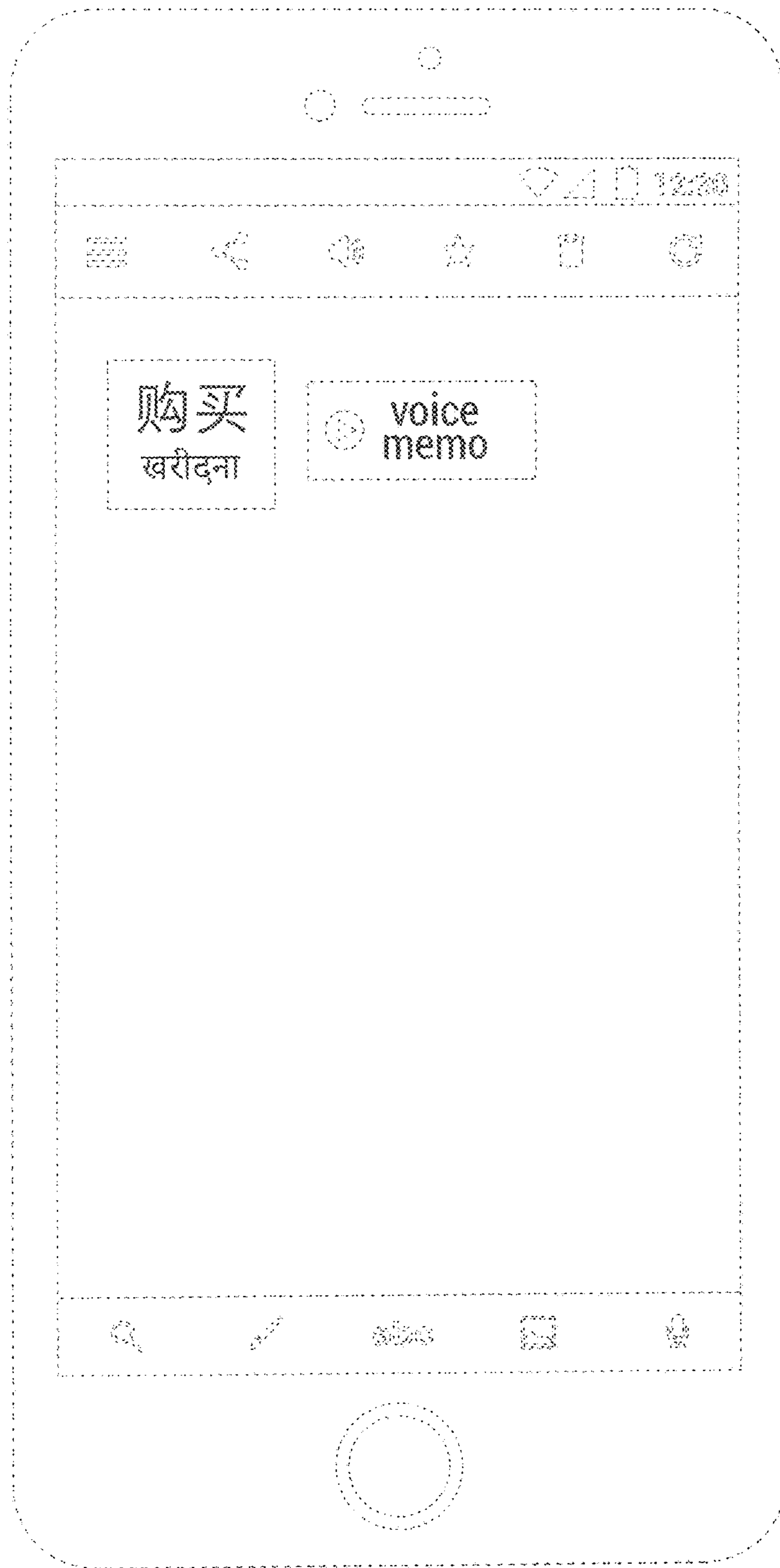


Fig 7

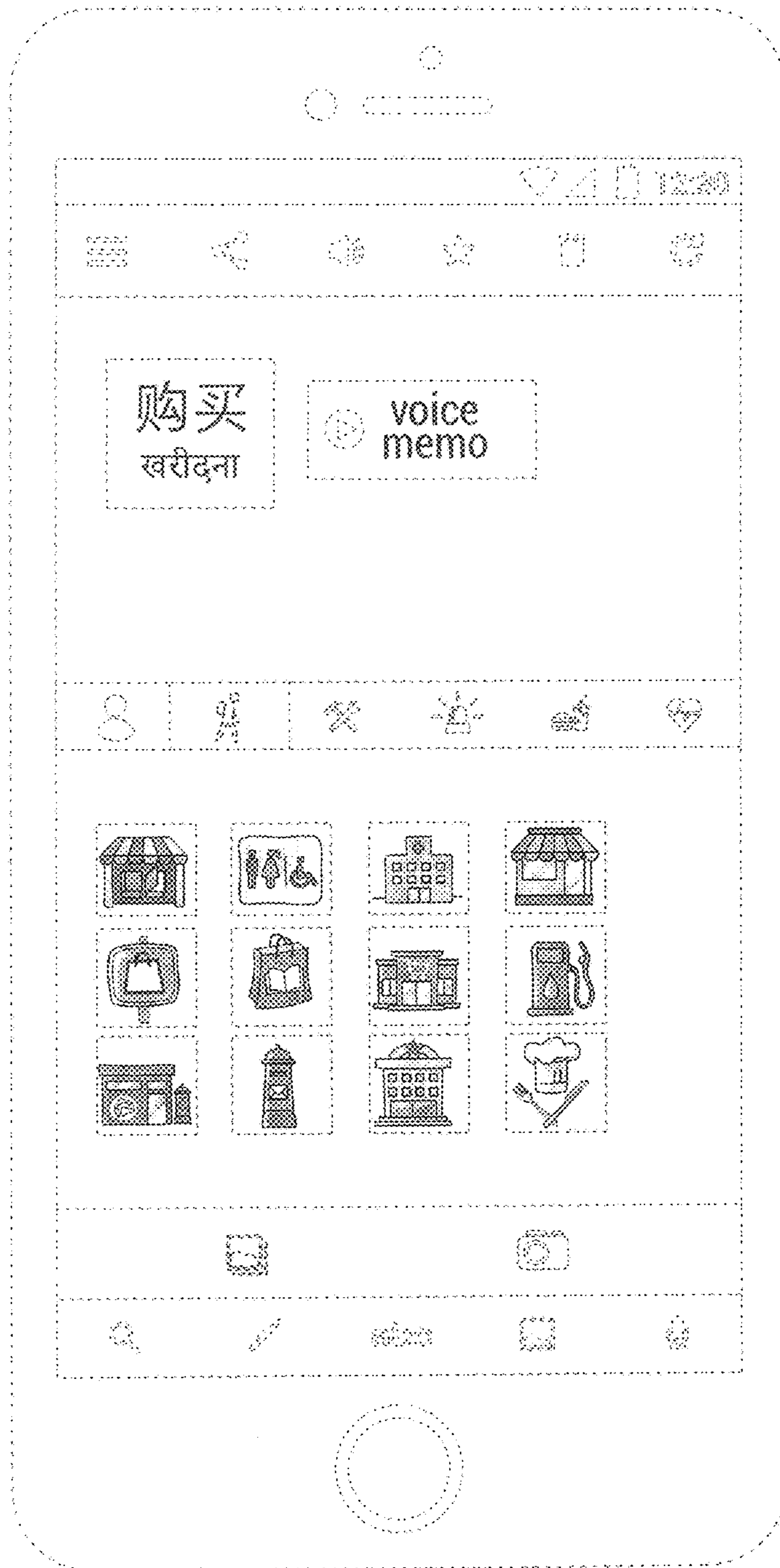


Fig 8

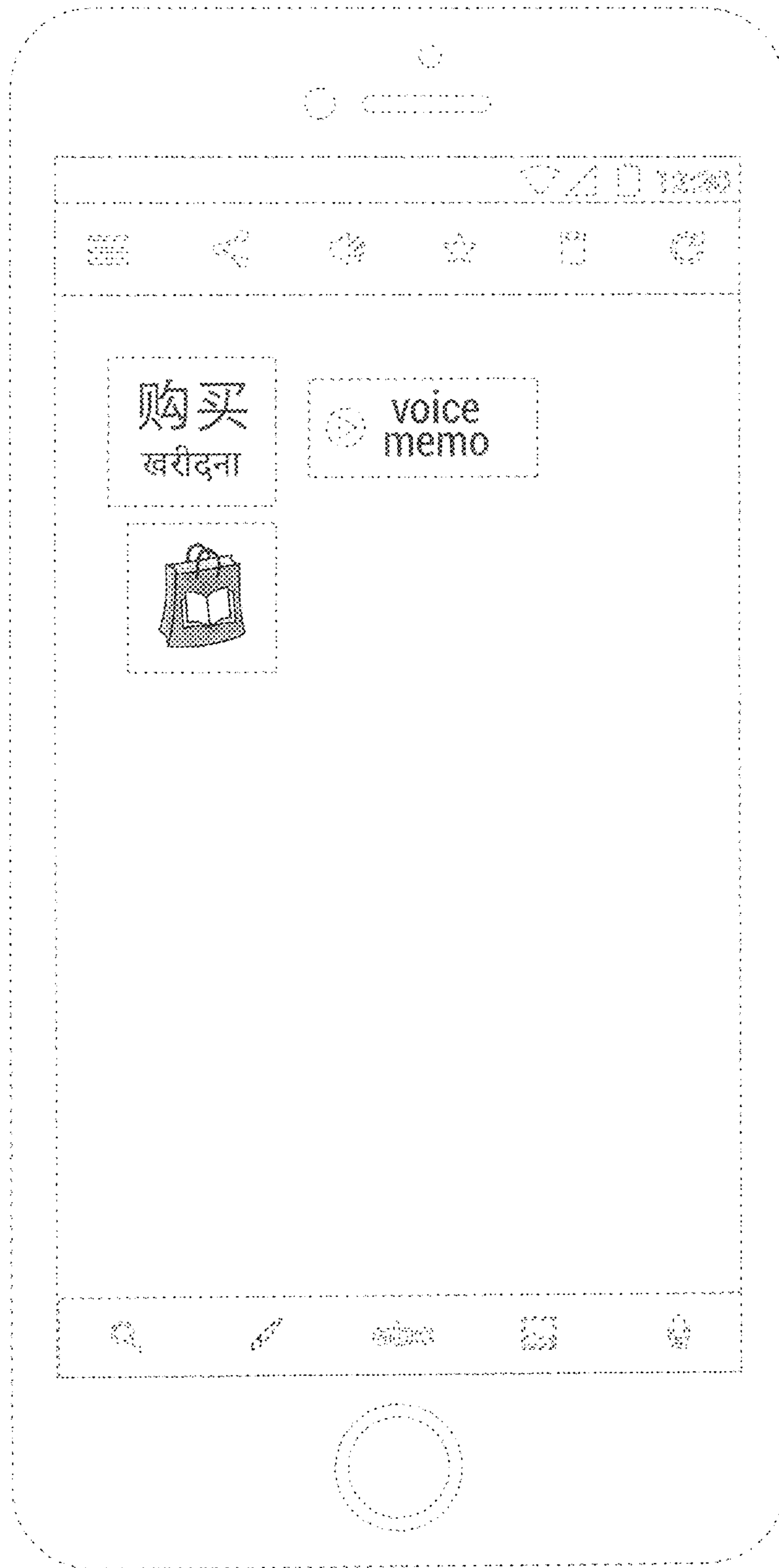


Fig 9

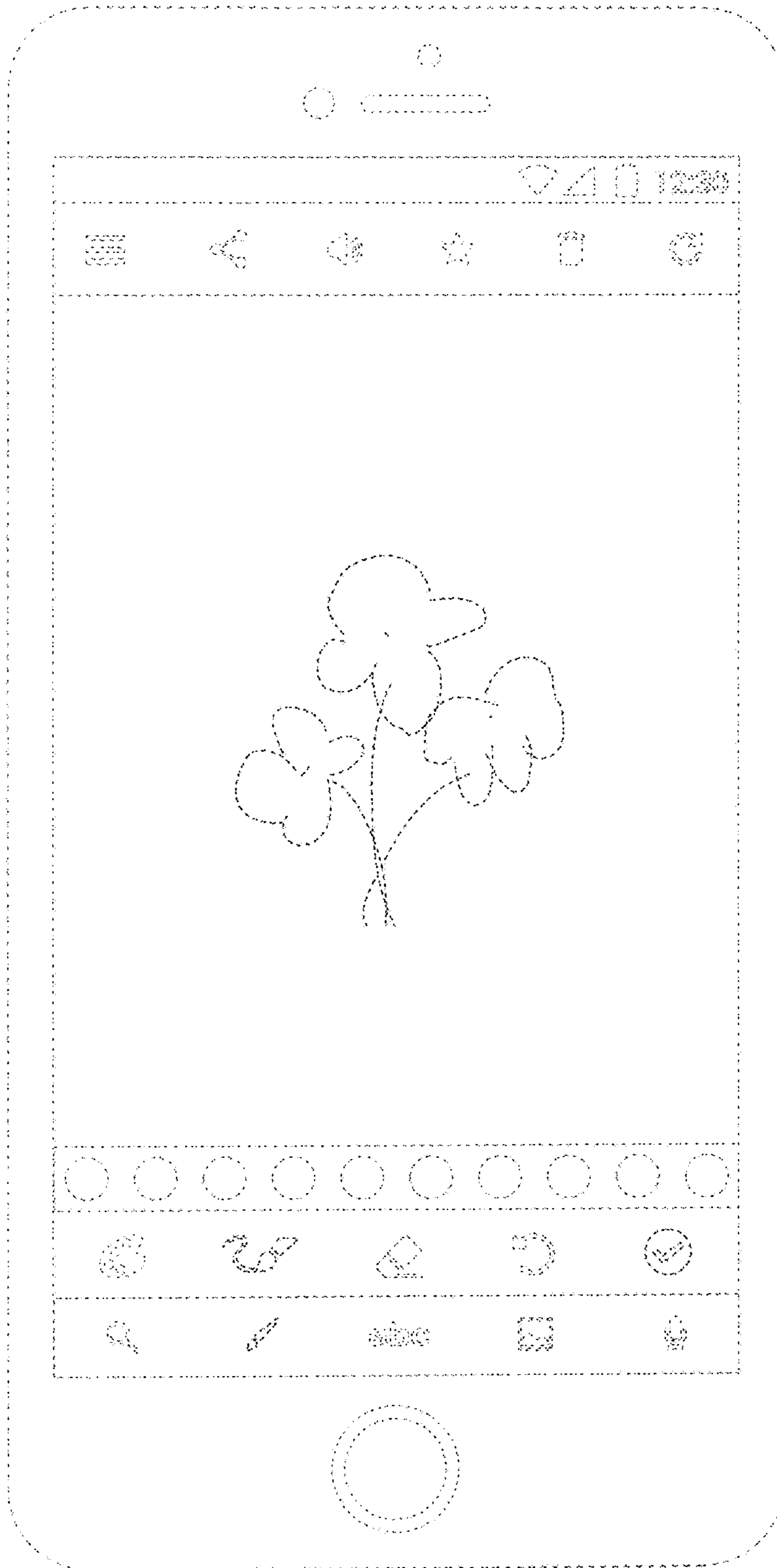


Fig 10

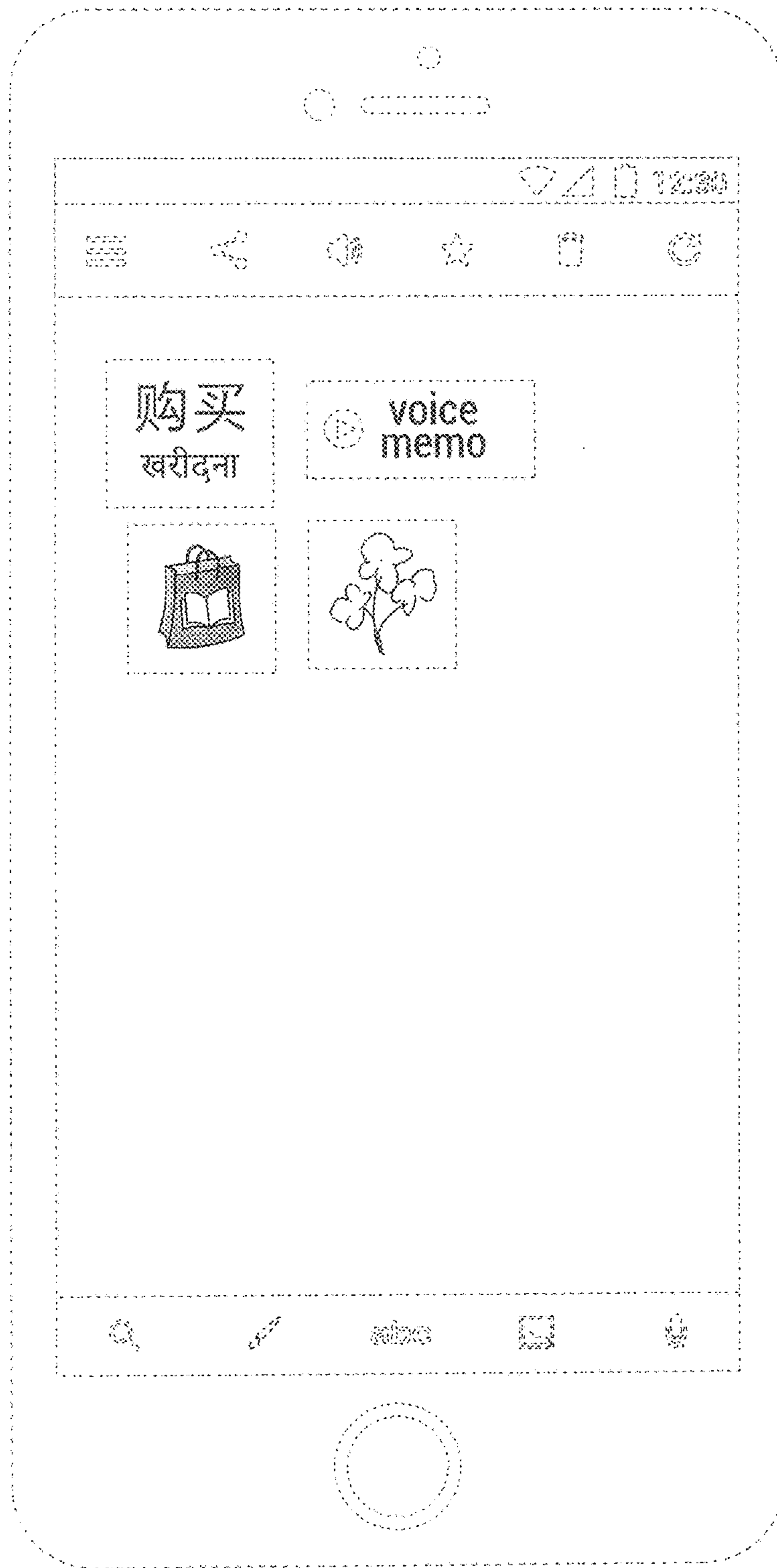


Fig 11



Fig 12

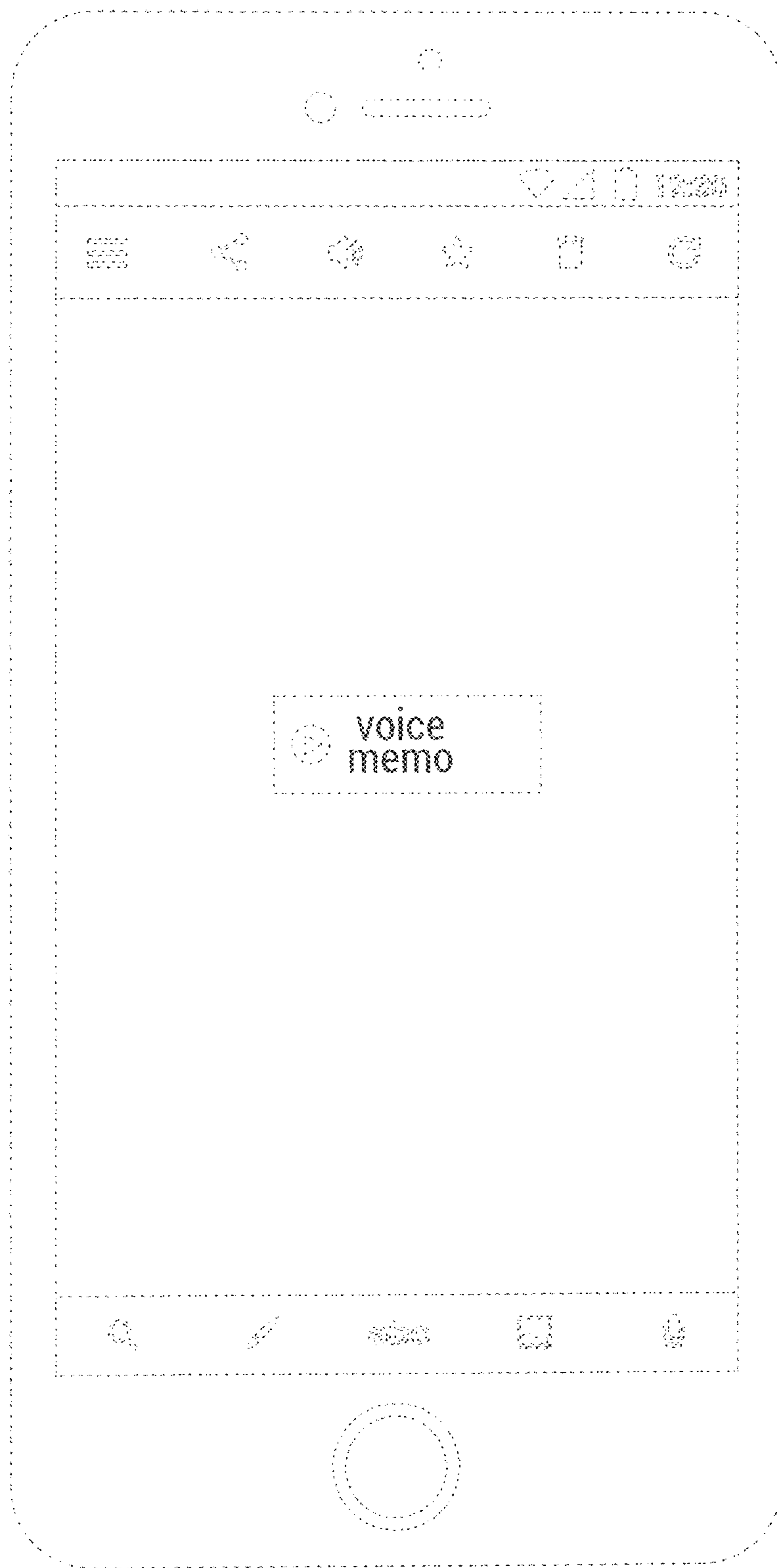


Fig 13

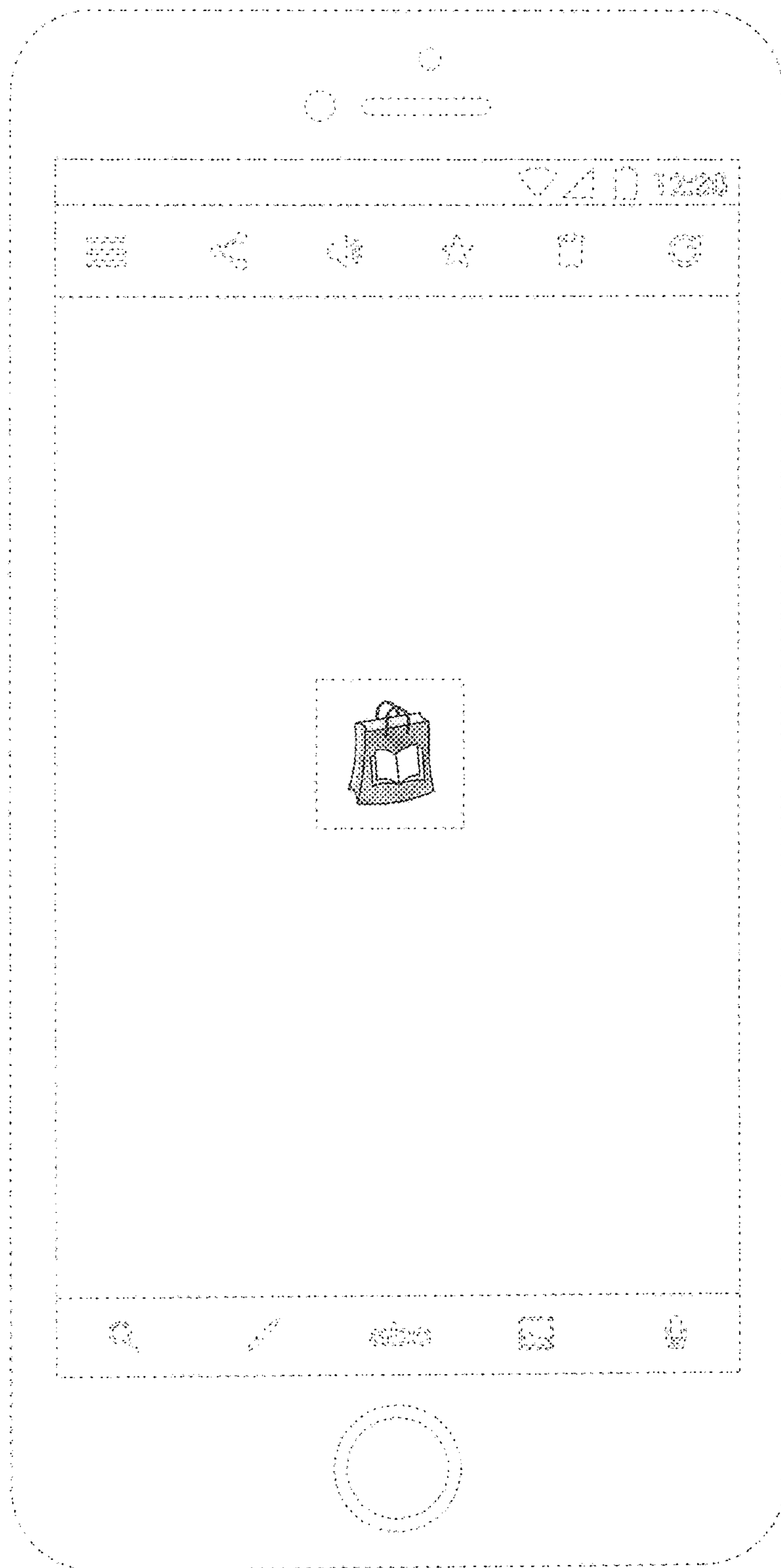


Fig 14

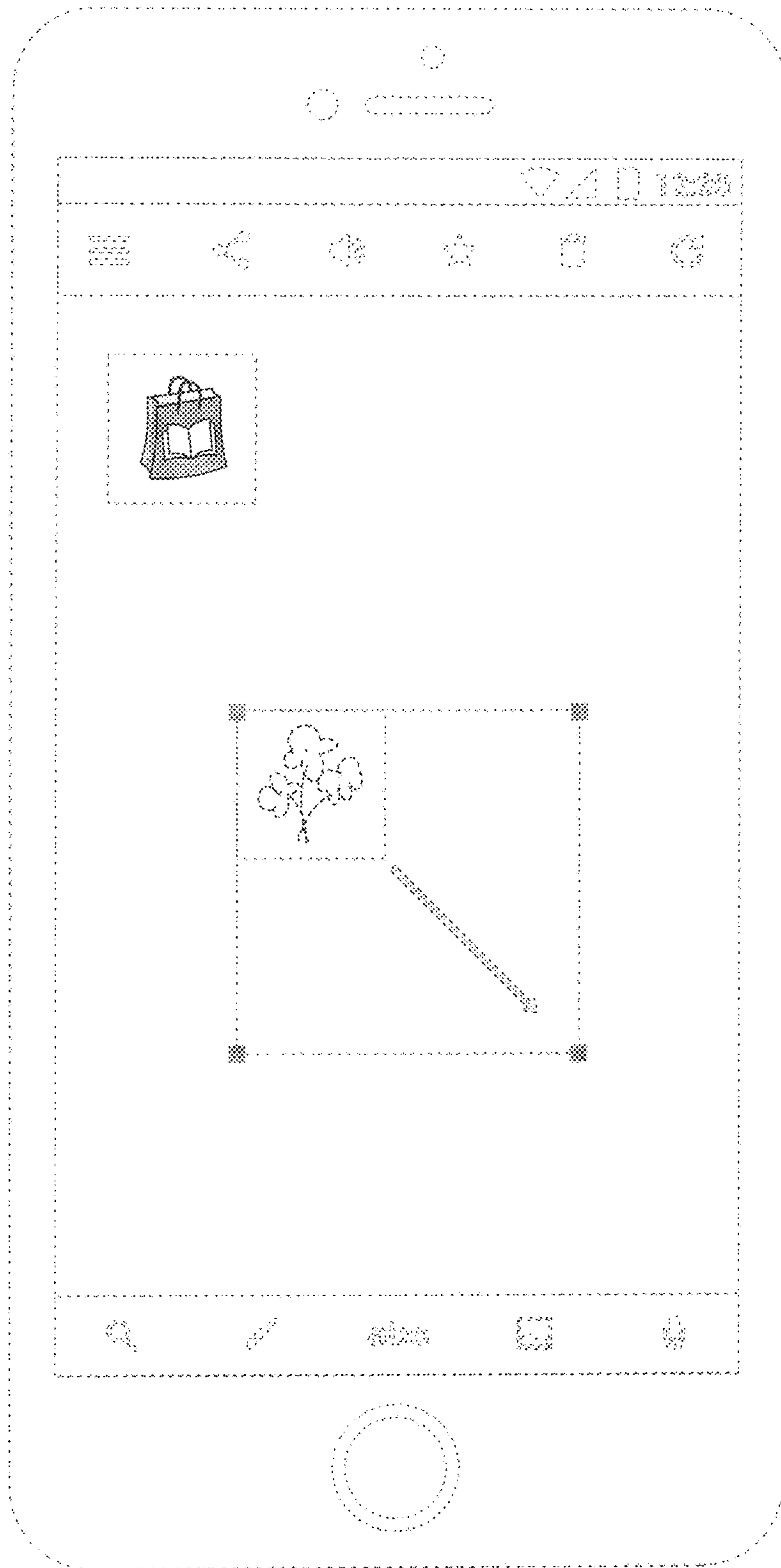


Fig 15

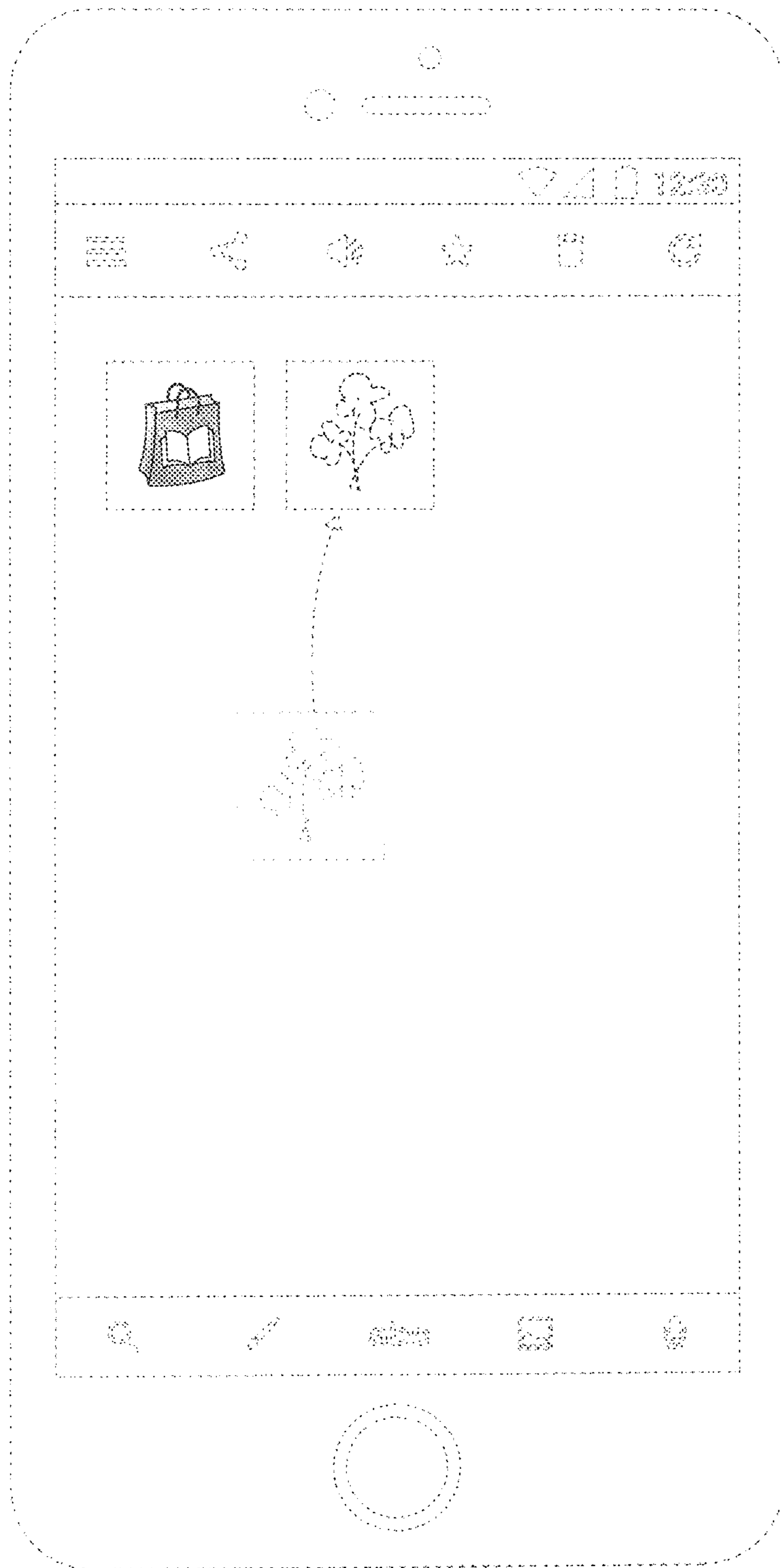


Fig 16

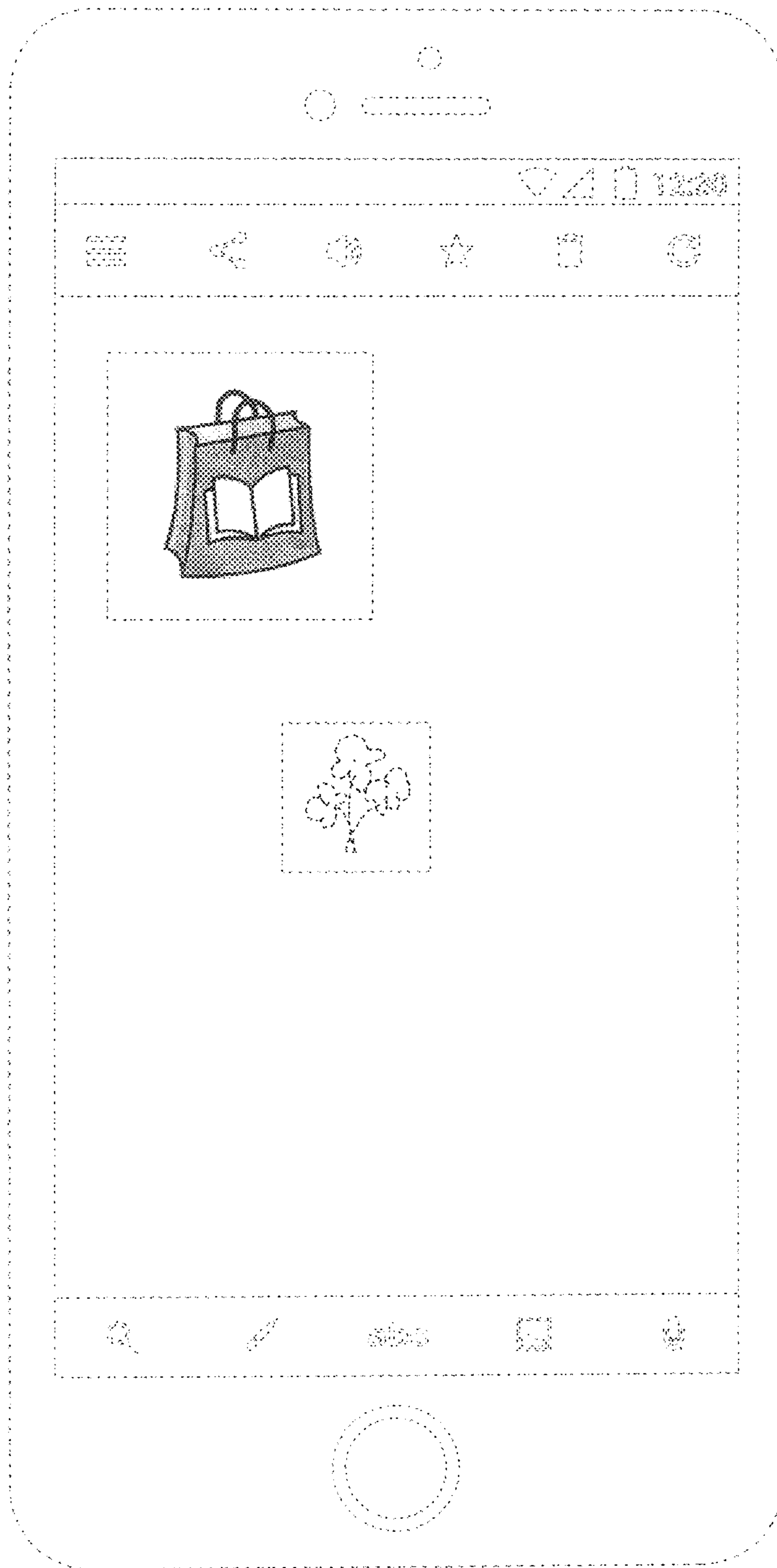


Fig 17

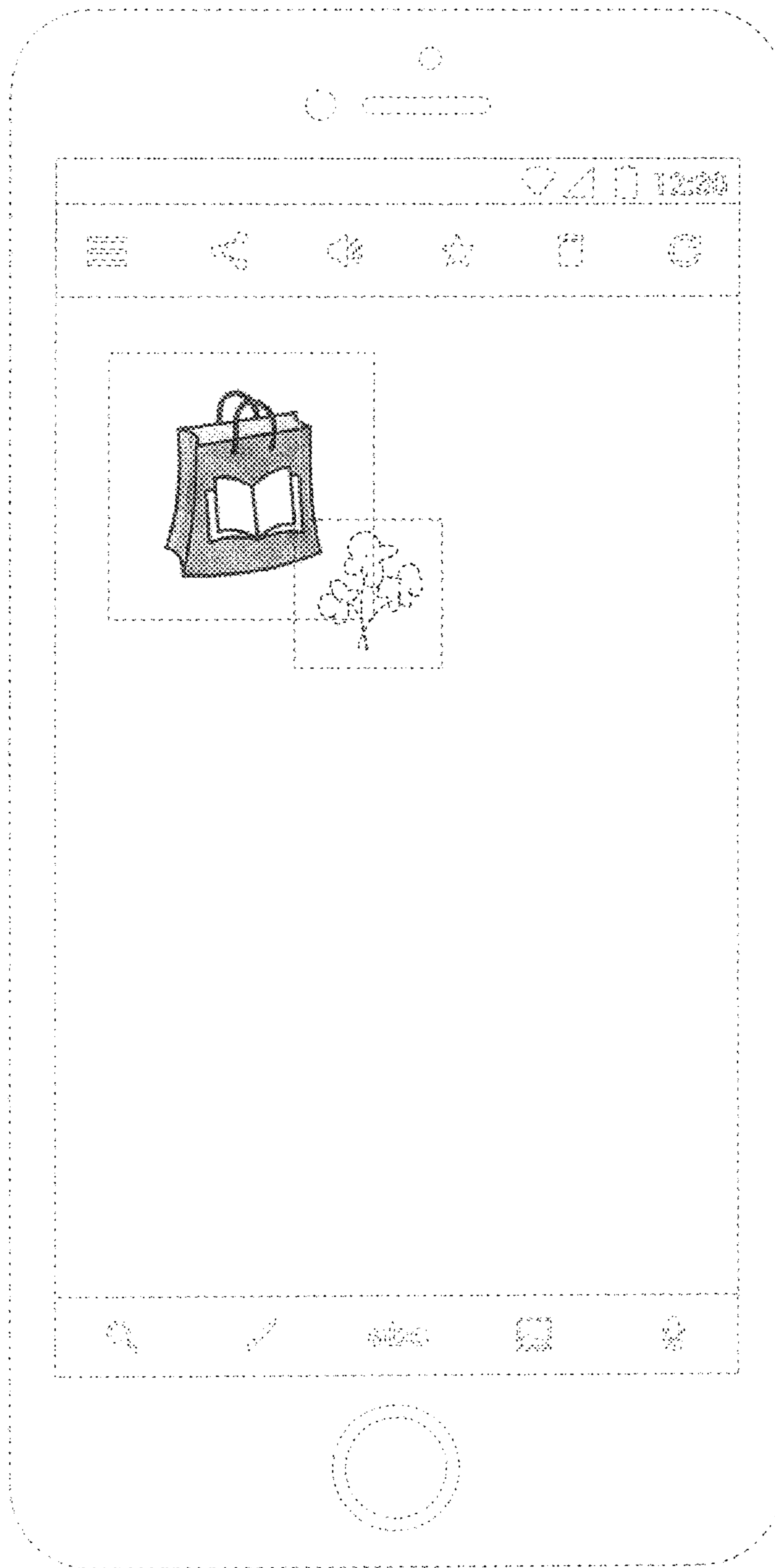


Fig 18

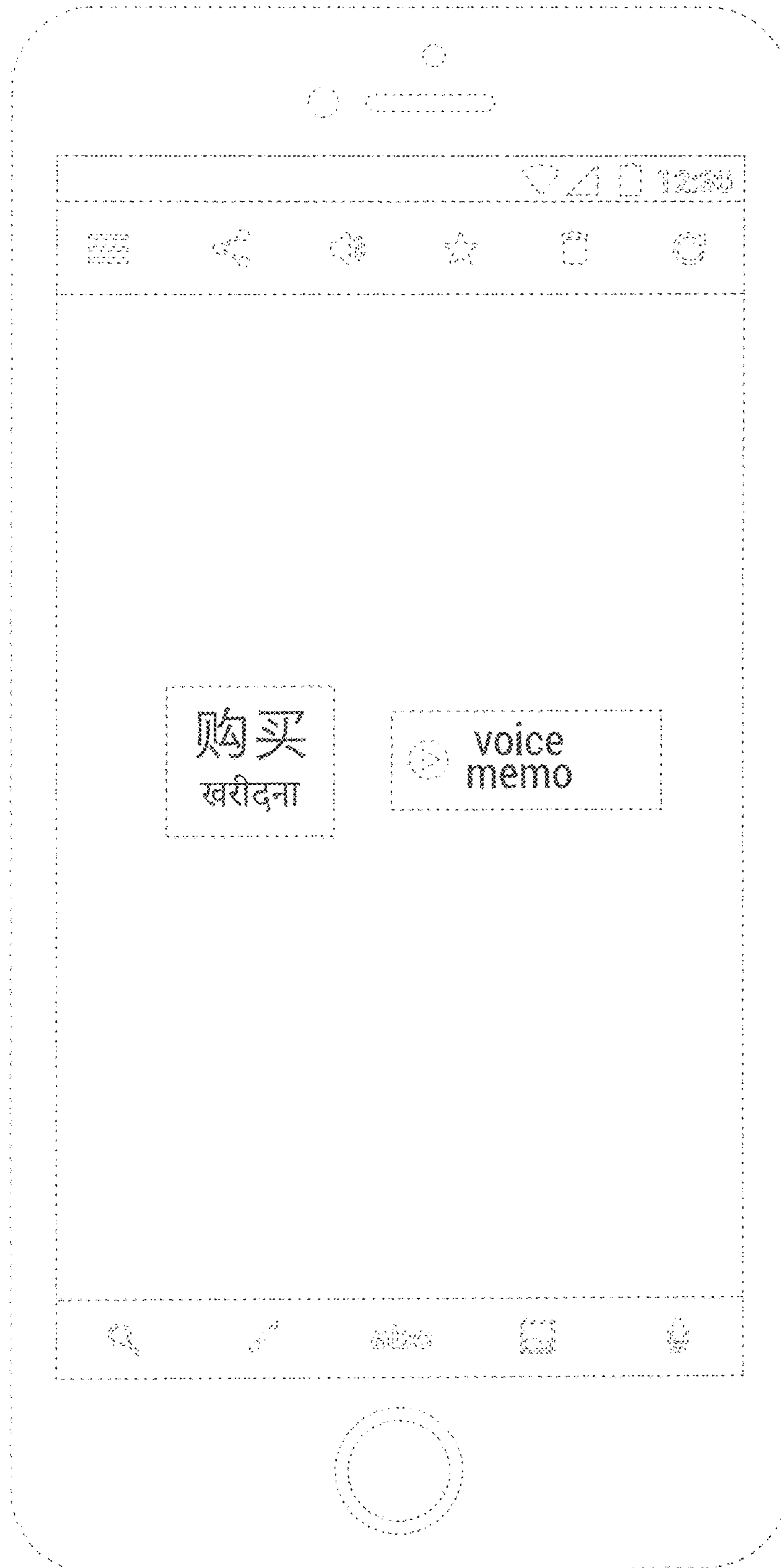


Fig 19



Fig 20

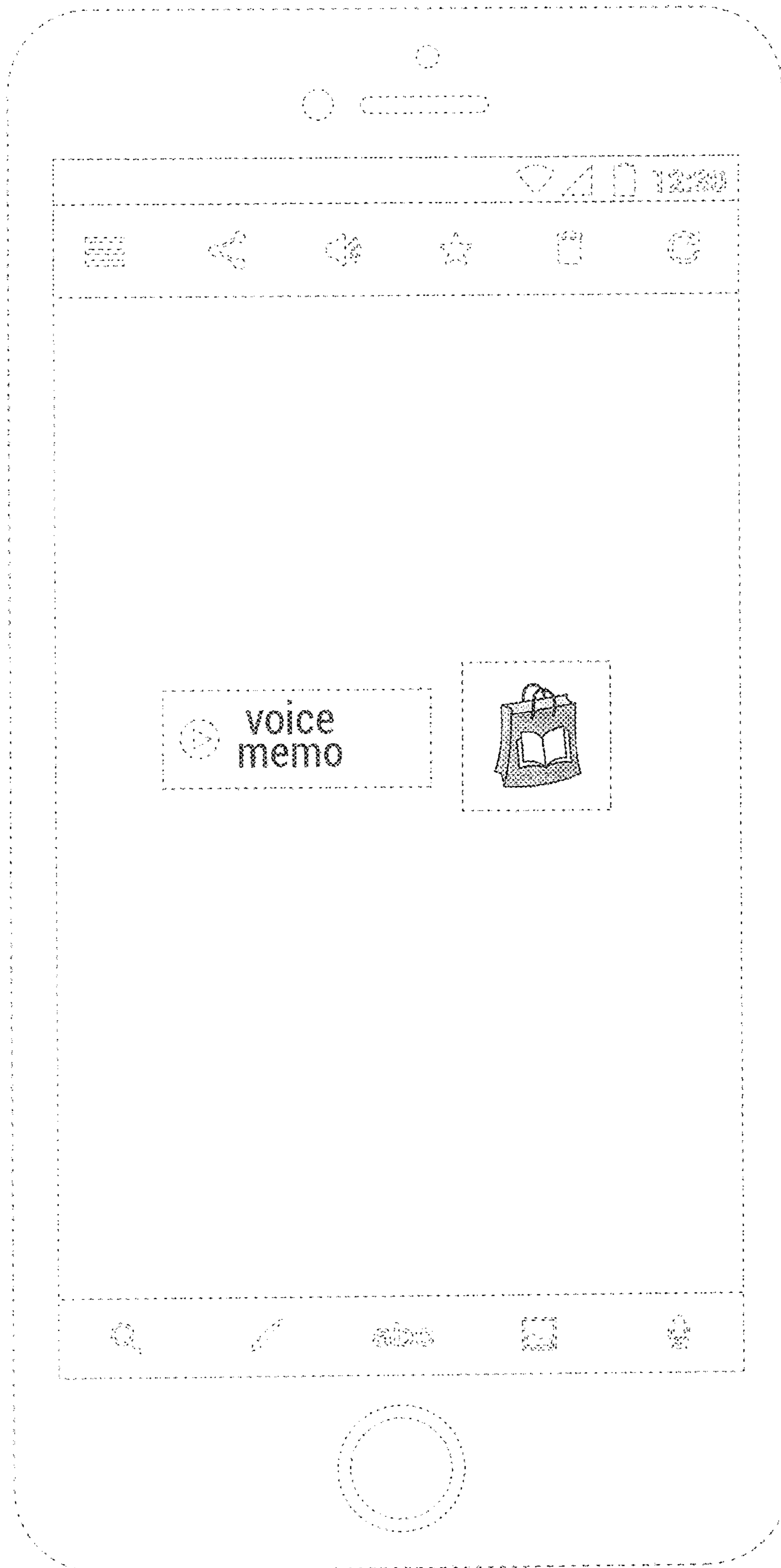


Fig 21