



US00D813246S

(12) **United States Design Patent**
Nakajima

(10) **Patent No.:** **US D813,246 S**
(45) **Date of Patent:** **** Mar. 20, 2018**

(54) **DISPLAY SCREEN OR PORTIONS THEREOF OF PORTABLE MEDICAL ENDOSCOPE OPERATING UNIT WITH TRANSITIONAL GRAPHICAL USER INTERFACE**

D800,737 S * 10/2017 Wang D14/485
D802,619 S * 11/2017 Kim D14/487
2012/0162401 A1* 6/2012 Melder H04N 7/183
348/65

(71) Applicant: **OLYMPUS CORPORATION**, Tokyo (JP)

* cited by examiner

Primary Examiner — Richelle G Shelton

(72) Inventor: **Tomomi Nakajima**, West Coast Walk (SG)

(74) *Attorney, Agent, or Firm* — Scully, Scott, Murphy & Presser, P.C.

(73) Assignee: **OLYMPUS CORPORATION**, Tokyo (JP)

(57) **CLAIM**

The ornamental design for the display screen or portions thereof of portable medical endoscope operating unit with transitional graphical user interface, as shown and described.

(**) Term: **15 Years**

DESCRIPTION

(21) Appl. No.: **29/571,329**

(22) Filed: **Jul. 18, 2016**

(30) **Foreign Application Priority Data**

Jan. 20, 2016 (JP) 2016-000942

(51) **LOC (11) Cl.** **14-04**

(52) **U.S. Cl.**
USPC **D14/485**

(58) **Field of Classification Search**
USPC D14/485-495
CPC G06T 13/00; G06T 13/80; G06F 3/04845;
G06F 3/0482
See application file for complete search history.

FIG. 1 is a front view of a display screen or portions thereof of portable medical endoscope operating unit with transitional graphical user interface, showing my new design; FIG. 2 is a rear view thereof; FIG. 3 is a top view thereof; FIG. 4 is a bottom view thereof; FIG. 5 is a left side view thereof; FIG. 6 is a right side view thereof; FIG. 7 is an enlarged, partial top view thereof showing a first image; and, FIG. 8 is a second image thereof.

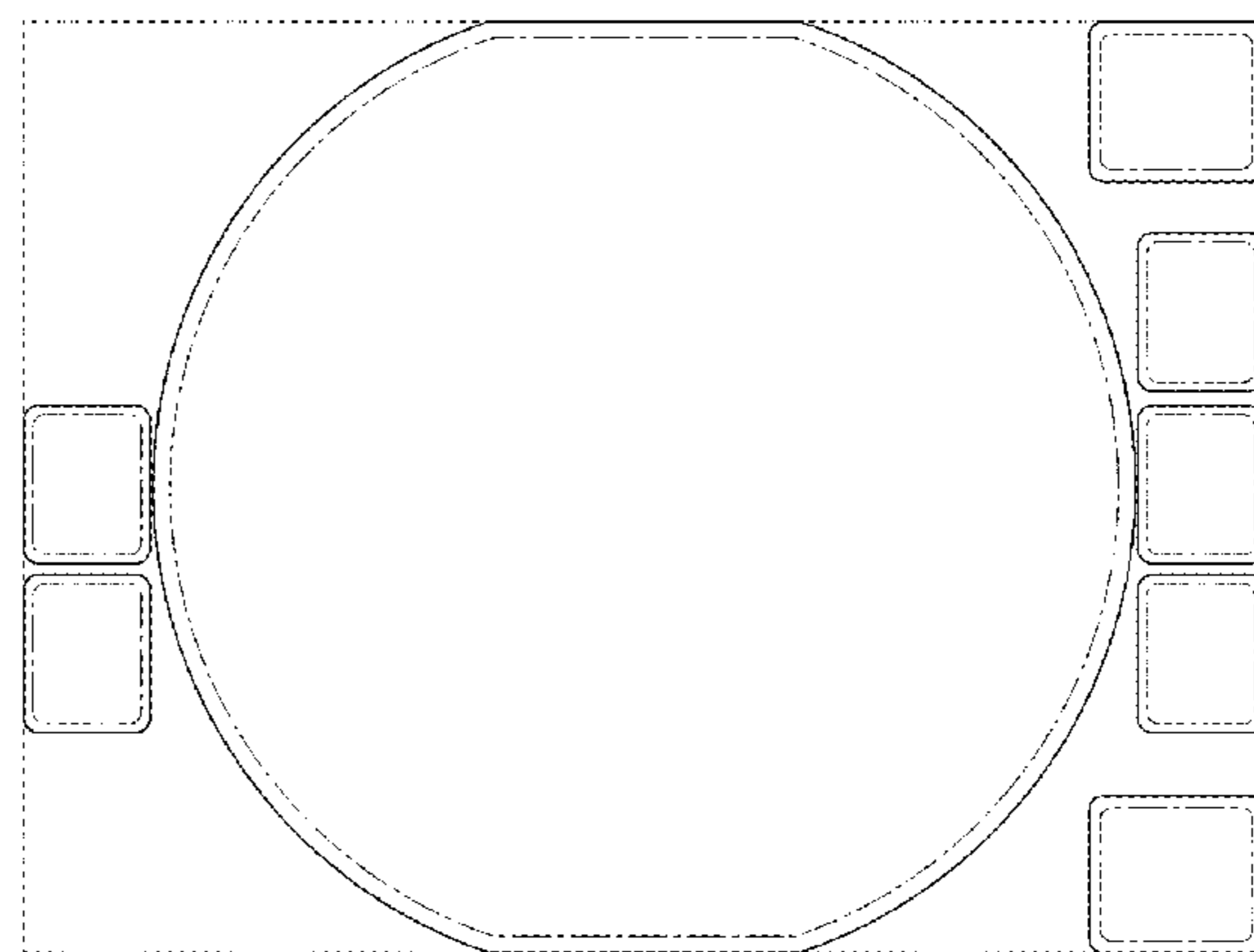
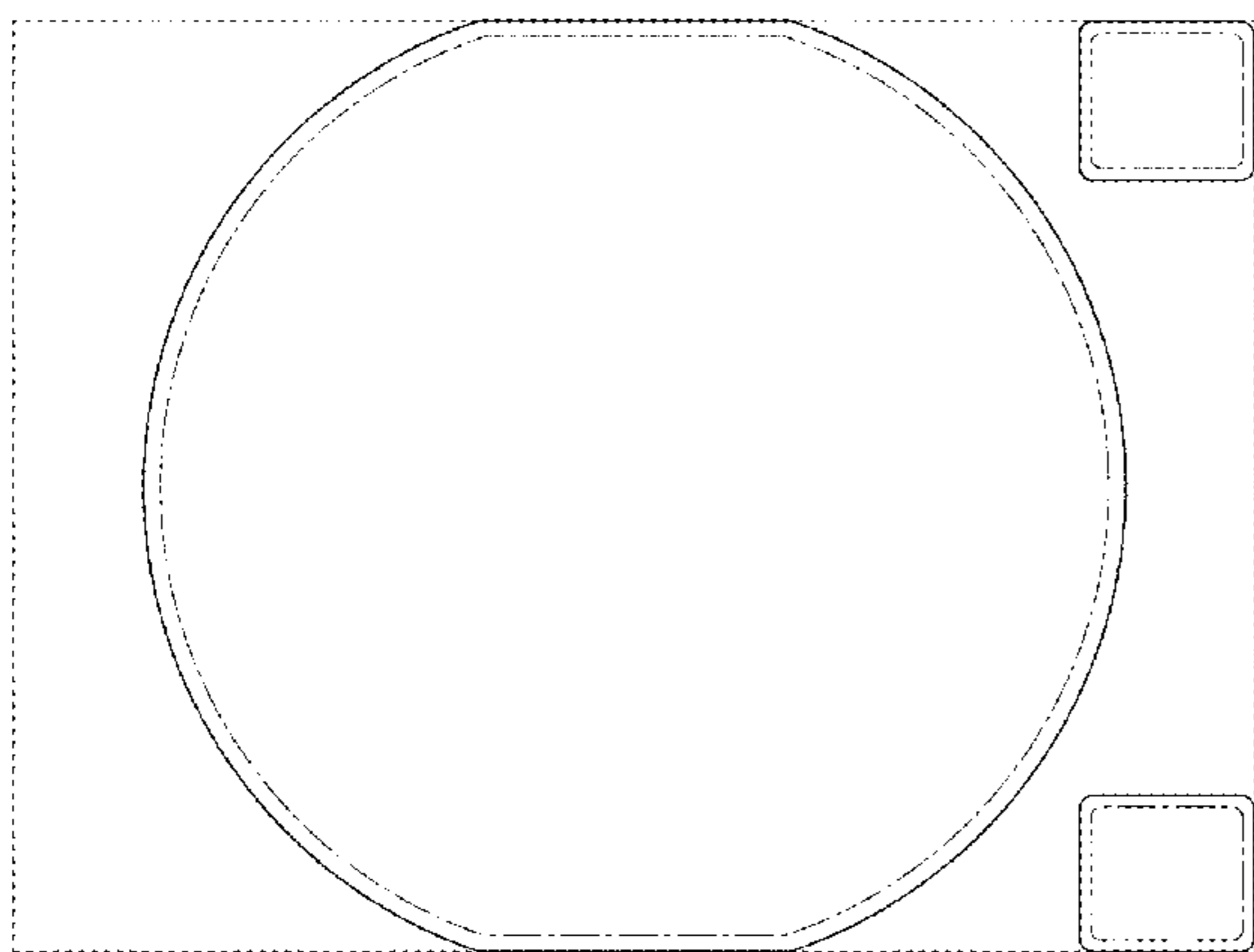
The evenly spaced broken lines in the figures show a display screen or portions thereof and a portable medical endoscope or portions thereof, and form no part of the claimed design. The dot-dash broken lines in the figures show content within a graphical user interface and form no part of the claimed design. The appearance of the display screen or portions thereof of portable medical endoscope operation unit with transitional graphical user interface transitions between the images shown in FIGS. 7 and 8. The process or period in which one image transitions to another forms no part of the claimed design.

(56) **References Cited**

U.S. PATENT DOCUMENTS

5,953,112 A * 9/1999 Rosow G01M 11/00
356/121
D712,914 S * 9/2014 Lee D14/486
D761,285 S * 7/2016 Kim D14/486
D771,075 S * 11/2016 Moriya D14/485
D774,051 S * 12/2016 Hart D14/485
D790,569 S * 6/2017 Anzures D14/486

1 Claim, 6 Drawing Sheets



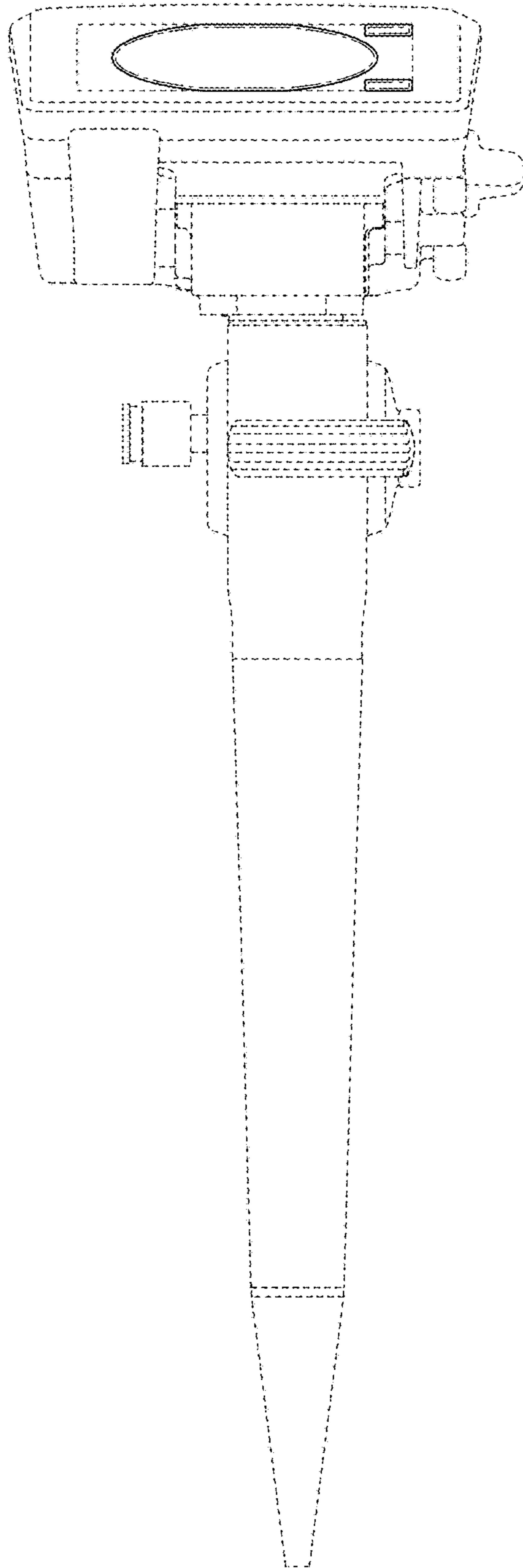


Fig. 1

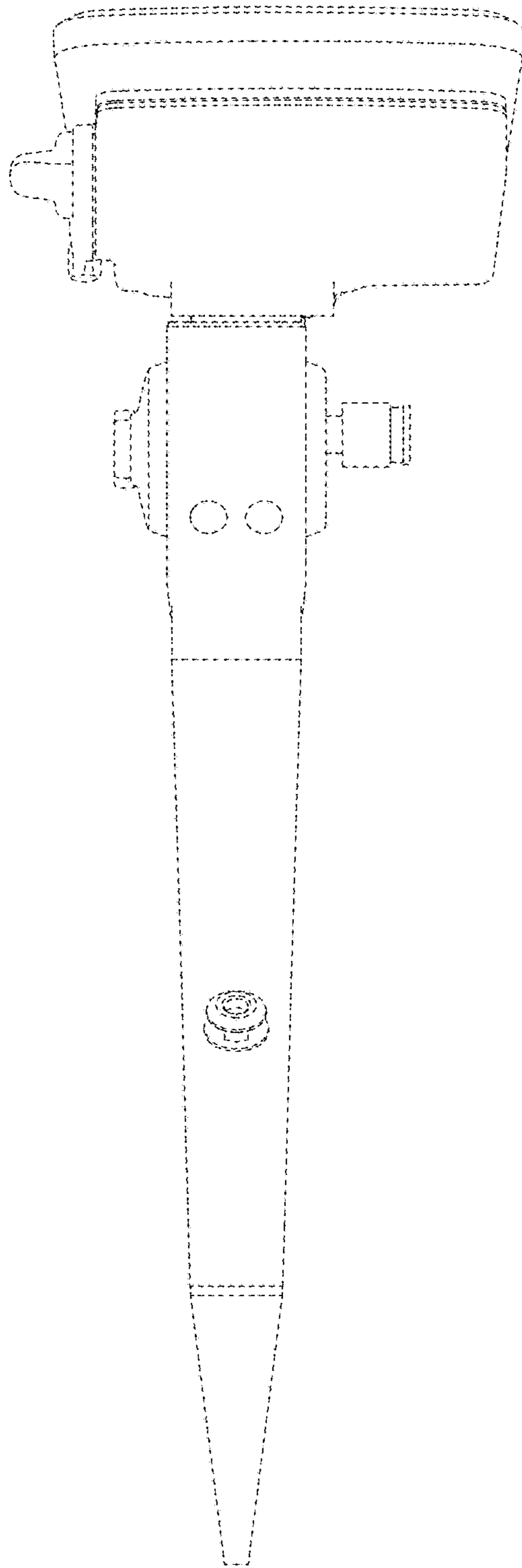


Fig.2

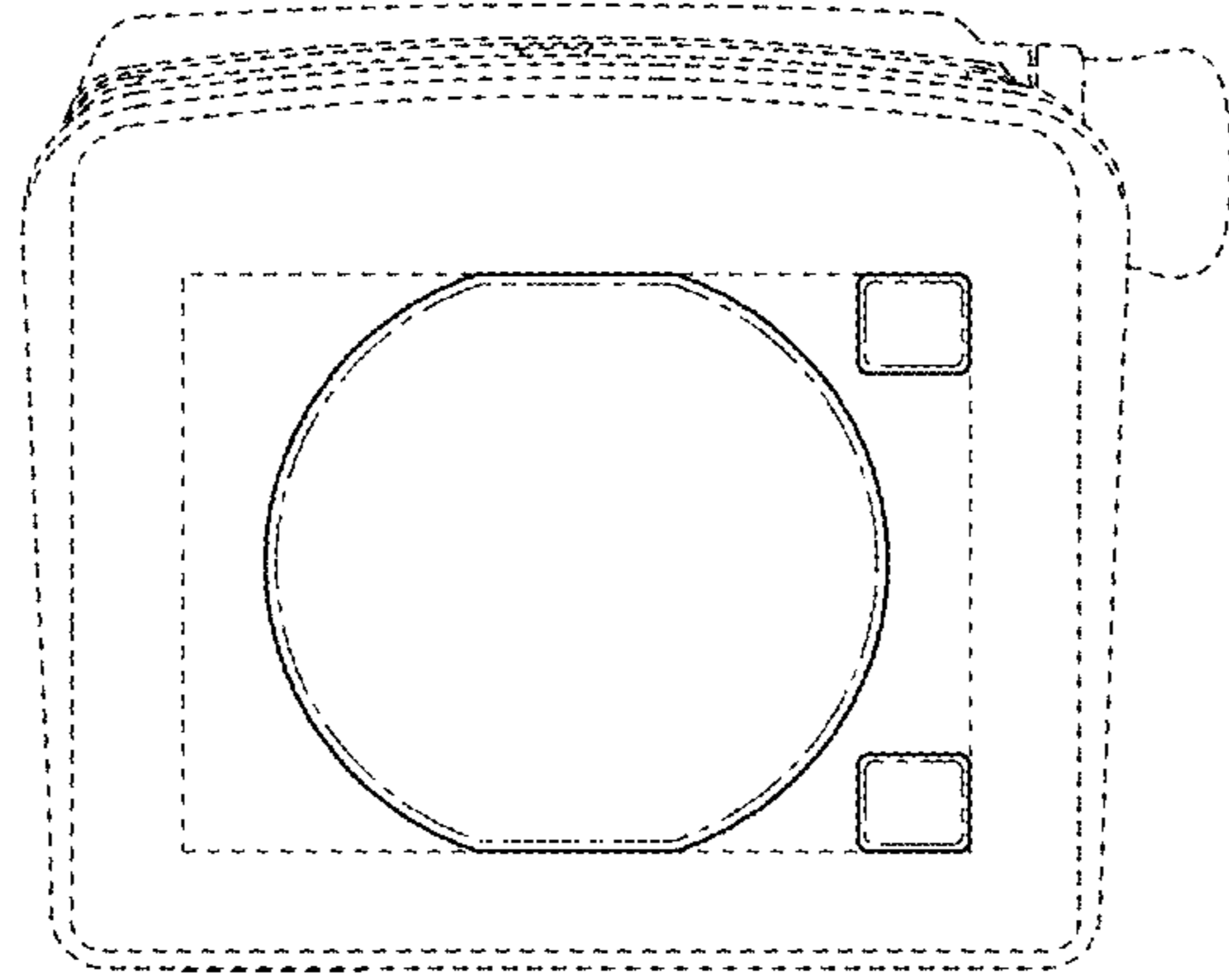


Fig.3

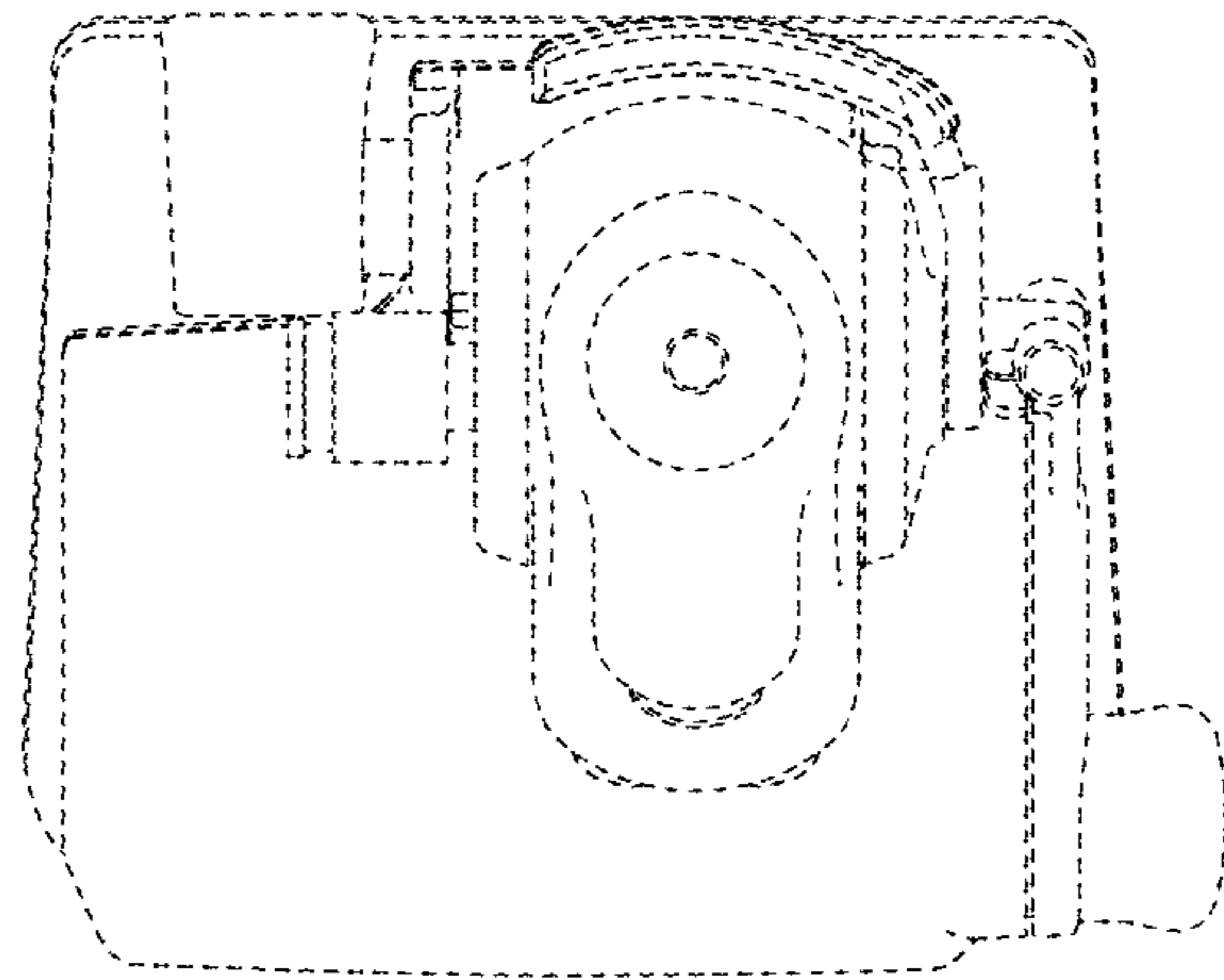


Fig.4

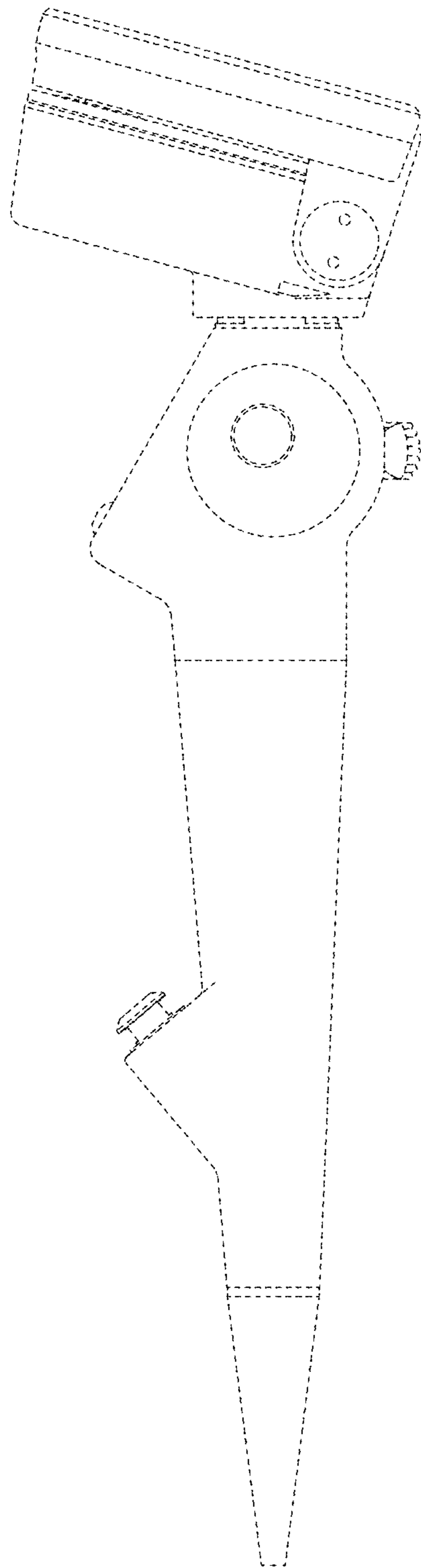


Fig. 5

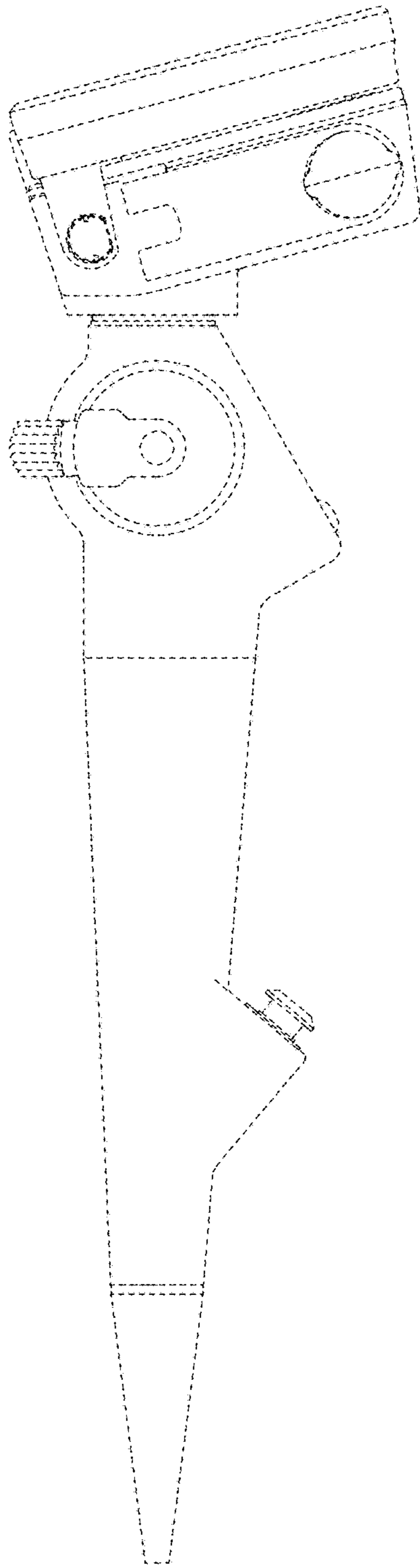


Fig. 6

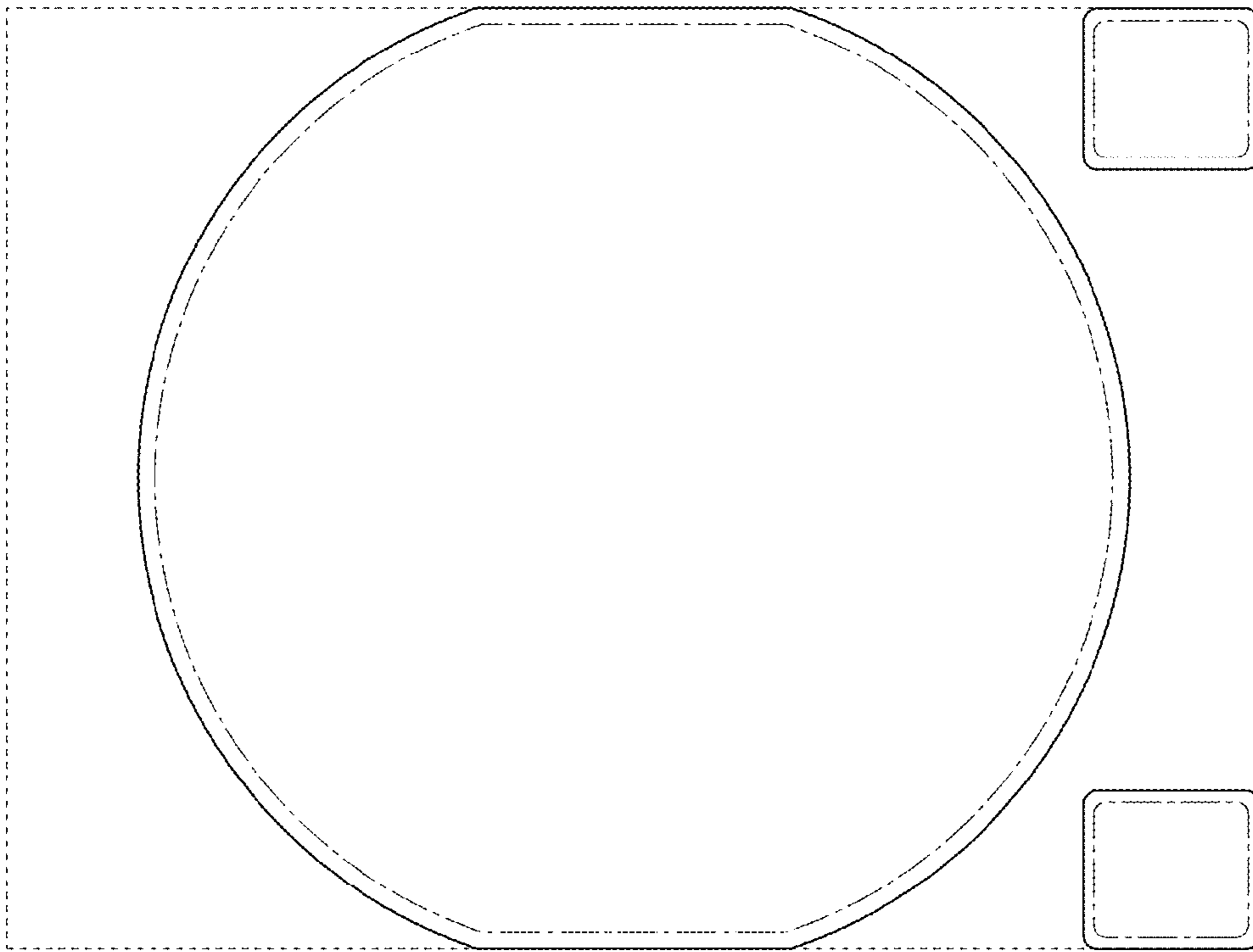


Fig. 7

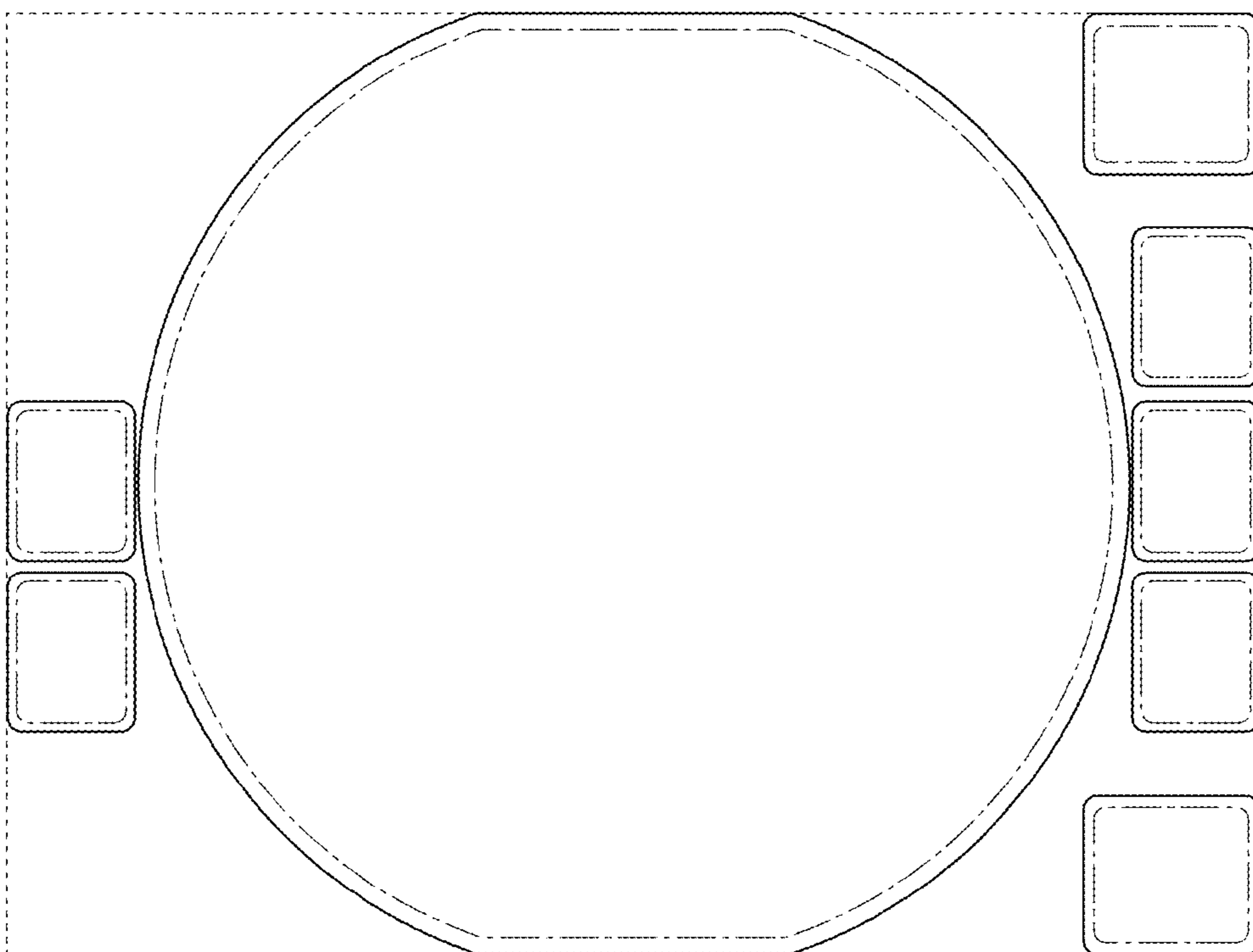


Fig. 8