



US00D813241S

(12) **United States Design Patent**
Wengreen

(10) **Patent No.:** **US D813,241 S**
(45) **Date of Patent:** **** Mar. 20, 2018**

- (54) **MOUNT FOR ELECTRONIC DEVICE**
- (71) Applicant: **Innovelis, Inc.**, Sammamish, WA (US)
- (72) Inventor: **Eric John Wengreen**, Sammamish, WA (US)
- (73) Assignee: **Innovelis, Inc.**, Sammamish, WA (US)
- (**) Term: **15 Years**
- (21) Appl. No.: **29/597,508**

- 4,467,244 A 8/1984 Dickie
- 4,519,656 A 5/1985 Raz
- D280,466 S 9/1985 Seltzer
- D282,034 S 1/1986 Janke
- 4,602,761 A 7/1986 Carter
- 4,697,780 A 10/1987 Wenkman
- 4,746,042 A 5/1988 King
- 4,771,927 A 9/1988 Ventura
- 4,815,683 A 3/1989 Ferrante
- 4,825,590 A 5/1989 Cullinane
- 4,826,115 A 5/1989 Novitski
- 4,840,773 A 6/1989 Wade

(Continued)

- (22) Filed: **Mar. 17, 2017**
- (51) **LOC (11) Cl.** **14-02**
- (52) **U.S. Cl.**
USPC **D14/434; D14/496; D14/238.1**
- (58) **Field of Classification Search**
USPC ... D14/217, 209.1, 432, 434, 188, 356, 439,
D14/447, 454, 251; D8/373; D13/107,
D13/108, 146; 248/176.1; 320/109,
320/112-115; 361/679.4, 679.31-679.33,
361/679.41, 679.55; 455/557, 34-351;
710/15, 303; D21/332, 333, 324
CPC F16M 11/02; F16M 11/04; A47F 5/00;
A47F 5/10; G06F 1/16; G06F 1/1613
See application file for complete search history.

(56) **References Cited**

U.S. PATENT DOCUMENTS

- 1,618,573 A 2/1927 Cole
- 2,584,646 A 2/1952 Wagstaff
- 3,091,378 A 5/1963 O'Dwyer
- D196,542 S 10/1963 Zelnick
- 3,176,950 A 4/1965 Hittesdorf
- 3,279,009 A 10/1966 Teasdale
- 3,294,298 A 12/1966 Danielson
- 3,477,679 A 11/1969 Lovitz
- 3,990,617 A 11/1976 Carter
- D242,766 S 12/1976 Neece
- 4,067,532 A 1/1978 Viteretto
- 4,158,450 A 6/1979 Suzuki

OTHER PUBLICATIONS

Apple TV, downloaded on Feb. 3, 2014 from <http://www.apple.com/appletv/what-is/>.

(Continued)

Primary Examiner — Prabhakar G Deshmukh

(57) **CLAIM**

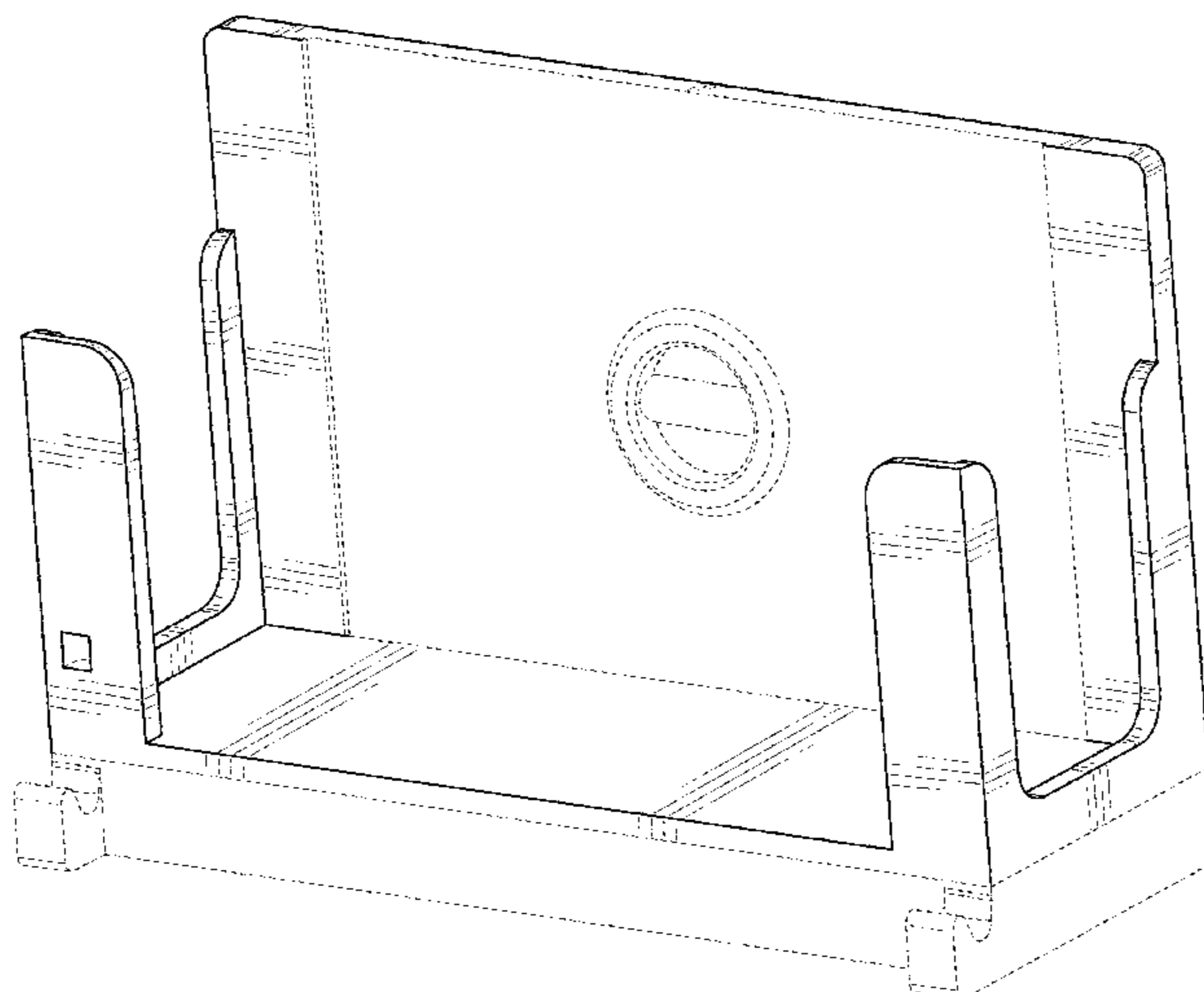
The ornamental design for a mount for electronic device, as shown and described.

DESCRIPTION

FIG. 1 is a front, first side, and top perspective view of a mount for electronic device embodying the new design; FIG. 2 is a back, second side, and bottom perspective view thereof; FIG. 3 is a front view thereof; FIG. 4 is a back view thereof; FIG. 5 is a second side view thereof; FIG. 6 is a first side view thereof; FIG. 7 is a top view thereof; and, FIG. 8 is a bottom view thereof.

The uniform repeating broken lines depict portions of a mount for electronic device in which the claimed design is embodied and form no part of the claimed design.

1 Claim, 8 Drawing Sheets



(56)

References Cited

U.S. PATENT DOCUMENTS

4,852,843 A	8/1989	Chandler		D557,266 S	12/2007	Hughes	
4,974,764 A	12/1990	Cantwell		D560,411 S	1/2008	Chung	
D317,157 S	5/1991	Jondelius		D564,529 S	3/2008	Hughes	
5,038,985 A	8/1991	Chapin		D565,399 S	4/2008	Grey	
5,092,395 A	3/1992	Amidzich		D568,889 S	5/2008	Hughes	
5,227,582 A	7/1993	Velasco		7,367,089 B2	5/2008	Cooke	
5,273,690 A	12/1993	McDowell		D570,801 S	6/2008	Allen	
5,297,318 A	3/1994	Adolphson		D586,795 S	2/2009	Richter	
D351,341 S	10/1994	Hung		D592,206 S *	5/2009	O'Brien	D12/415
5,385,282 A	1/1995	Chen		D596,172 S	7/2009	Ahlqvist	
5,400,990 A	3/1995	Frankel		D598,945 S	8/2009	Gillespie	
D359,616 S	6/1995	Ishibashi		7,580,255 B2	8/2009	Crooijmans	
D361,335 S	8/1995	Rudkiewicz		D601,000 S	9/2009	Cole	
D361,462 S	8/1995	Newham		D609,030 S	2/2010	Barabas	
D362,663 S *	9/1995	Nguyen	D14/434	D610,579 S	2/2010	Behar	
D369,465 S	5/1996	Scheid		D624,949 S	10/2010	Nakayama	
5,535,093 A	7/1996	Noguchi		D625,729 S	10/2010	McNames	
D376,787 S	12/1996	Calfee		D628,611 S	12/2010	Lewis	
5,593,124 A	1/1997	Wang		7,854,420 B2	12/2010	Depay	
5,619,395 A	4/1997	McBride		D633,503 S	3/2011	Bo	
5,619,774 A	4/1997	Perry		7,925,320 B2 *	4/2011	Pemble	B60R 11/0258 455/550.1
D388,107 S	12/1997	Huckins		7,959,121 B1	6/2011	Barnes	
D390,849 S	2/1998	Richter		7,980,435 B2	7/2011	Tages	
5,850,998 A	12/1998	Parsey		8,041,029 B2 *	10/2011	Wieggers	F16M 11/14 248/346.03
D407,408 S	3/1999	Hoff		D648,727 S	11/2011	Van Den Nieuwenhuizen	
D409,079 S	5/1999	Sobczynski		D657,362 S	4/2012	Lister	
5,899,371 A	5/1999	Weliver		D660,306 S *	5/2012	Voorhees	D14/238.1
D411,542 S	6/1999	Richter		D662,491 S	6/2012	Andre	
5,914,707 A	6/1999	Kono		D667,411 S	9/2012	Kim	
5,961,083 A	10/1999	Hartman		D669,890 S	10/2012	Hopkins	
5,979,724 A	11/1999	Loewenthal		D672,308 S	12/2012	Cobbett	
D420,149 S	2/2000	Hersh		8,322,584 B2	12/2012	Dethmers	
6,039,173 A	3/2000	Crow		D686,629 S	7/2013	Trinh	
D425,353 S	5/2000	Foy		D690,707 S	10/2013	Minn	
6,073,901 A	6/2000	Richter		8,544,805 B2	10/2013	Virgin	
6,102,660 A	8/2000	Lee		D695,748 S	12/2013	Morris	
6,105,923 A	8/2000	Robertson		D700,832 S	3/2014	Ng	
D431,250 S	9/2000	Richter		8,668,179 B2 *	3/2014	Corn	F16M 13/00 248/181.1
6,163,997 A	12/2000	Deralas		D705,229 S	5/2014	Wengreen	
6,193,546 B1	2/2001	Sadler		D710,340 S	8/2014	Wengreen	
D443,493 S	6/2001	Skeem		D710,363 S	8/2014	Wengreen	
6,275,885 B1	8/2001	Chin		D710,836 S	8/2014	Wengreen	
6,336,615 B1	1/2002	Jeon		D712,906 S	9/2014	Wengreen	
D456,024 S	4/2002	Richter		D713,395 S	9/2014	Godycki	
D456,413 S	4/2002	Malson		D713,399 S	9/2014	Green	
6,445,290 B1	9/2002	Fingal		D713,849 S *	9/2014	Kirwer	D12/416
6,485,144 B1	11/2002	Liao		8,847,549 B2	9/2014	Graham	
D471,547 S	3/2003	Ruohonen		8,848,113 B2	9/2014	Wengreen	
6,554,527 B1	4/2003	O'Donnell		D714,793 S	10/2014	Kim	
6,560,983 B1	5/2003	Schimmeyer		D716,580 S	11/2014	Wengreen	
6,657,868 B1 *	12/2003	Hsue	G11B 33/128 174/138 G	D717,307 S	11/2014	Chun	
6,691,374 B2	2/2004	Coyne		D717,804 S	11/2014	Budge	
6,888,940 B1	5/2005	Deppen		8,896,768 B1	11/2014	Wengreen	
D508,605 S	8/2005	Shih-Ming		8,934,060 B1	1/2015	Wengreen	
6,939,641 B2	9/2005	Kincaid		8,934,061 B1	1/2015	Wengreen	
6,983,126 B1	1/2006	Saalman		8,939,417 B1	1/2015	Wengreen	
D518,704 S	4/2006	Miao		D723,042 S	2/2015	Lee	
7,047,601 B1	5/2006	Vernon-Woods		8,988,616 B2	3/2015	Wengreen	
7,067,737 B2	6/2006	Mallen		9,019,698 B2 *	4/2015	Thiers	H04W 88/02 248/922
7,079,384 B2	7/2006	Wang		D729,544 S	5/2015	Wengreen	
7,080,764 B2	7/2006	McNicholas		D732,939 S	6/2015	Cannaverde	
7,113,218 B2	9/2006	Battles		D733,105 S	6/2015	Wengreen	
D529,713 S	10/2006	Guyot		D733,542 S	7/2015	Cannaverde	
D529,905 S	10/2006	Richter		D733,691 S	7/2015	Wengreen	
D530,713 S *	10/2006	Richter	D14/253	D734,305 S	7/2015	Wengreen	
D533,175 S	12/2006	Richter		D735,174 S	7/2015	Wengreen	
7,145,603 B2	12/2006	Whitby		D739,410 S	9/2015	Chun	
D535,826 S	1/2007	Toghanian		9,131,195 B2	9/2015	Wengreen	
D536,239 S	2/2007	Tallman		D742,387 S	11/2015	Xiang	
7,222,762 B2	5/2007	Rees		D746,599 S	1/2016	Olson	
D545,343 S	6/2007	Braun		D749,549 S	2/2016	Wengreen	
D547,863 S	7/2007	Heinsch		D749,597 S	2/2016	Wengreen	
D551,008 S	9/2007	Hidalgo		D750,633 S	3/2016	Minn	
D553,352 S	10/2007	Allen		D751,563 S	3/2016	Wengreen	
				D752,415 S	3/2016	Lu	

(56)

References Cited

U.S. PATENT DOCUMENTS

9,339,112 B2 * 5/2016 Wengreen A47B 97/00
 D759,005 S 6/2016 Murakami
 D761,236 S 7/2016 Wengreen
 D763,666 S 8/2016 Wengreen
 D763,835 S 8/2016 Wengreen
 D765,063 S 8/2016 Wengreen
 D765,064 S 8/2016 Wengreen
 D765,646 S 9/2016 Deng
 D765,651 S 9/2016 Liu
 D767,377 S 9/2016 Sekula
 D770,171 S 11/2016 Lai
 D772,217 S 11/2016 Alesi
 D777,167 S 1/2017 Wengreen
 9,543,082 B1 1/2017 Wengreen
 D779,466 S 2/2017 Wengreen
 D795,820 S 8/2017 Wengreen
 2005/0023419 A1 2/2005 Frankel
 2005/0211861 A1 9/2005 Lee
 2005/0236541 A1 10/2005 Chang
 2006/0224575 A1 10/2006 Ostojic
 2007/0097617 A1 5/2007 Searby
 2007/0235609 A1 10/2007 Chun
 2007/0264169 A1 11/2007 Chen
 2008/0078793 A1 4/2008 Brown
 2009/0218454 A1 9/2009 Stanley
 2009/0296997 A1 12/2009 Rocheford
 2010/0270190 A1 10/2010 Howard

2010/0281671 A1 11/2010 De Vaan
 2010/0288895 A1 11/2010 Shamie
 2010/0314277 A1 12/2010 Murray
 2011/0242439 A1 10/2011 Calderon
 2012/0126081 A1 5/2012 Wengreen
 2012/0127379 A1 5/2012 Wengreen
 2012/0168516 A1 7/2012 Bolger
 2012/0280014 A1 11/2012 Lopez-Apodaca
 2012/0312950 A1 12/2012 Sears
 2014/0061406 A1 3/2014 Chevalier
 2014/0103179 A1 4/2014 Lipke
 2014/0241705 A1 8/2014 Wengreen
 2015/0070835 A1 3/2015 McLean
 2015/0212544 A1 7/2015 Chen
 2015/0305502 A1 10/2015 Wengreen
 2016/0007735 A1 1/2016 Gallup
 2016/0119458 A1 4/2016 Gunther
 2016/0120295 A1 5/2016 Rowley
 2016/0218535 A1 7/2016 Prete
 2016/0234955 A1 8/2016 Wengreen
 2016/0241289 A1 8/2016 Wieth

OTHER PUBLICATIONS

HIDE it Mounts—PS4 Wall Mount, downloaded from <https://www.amazon.com/HIDE-Mounts-Original-Wall-Mount-PlayStation/dp/B00PMLO4YK>, available at least as early as Sep. 8, 2015.

* cited by examiner

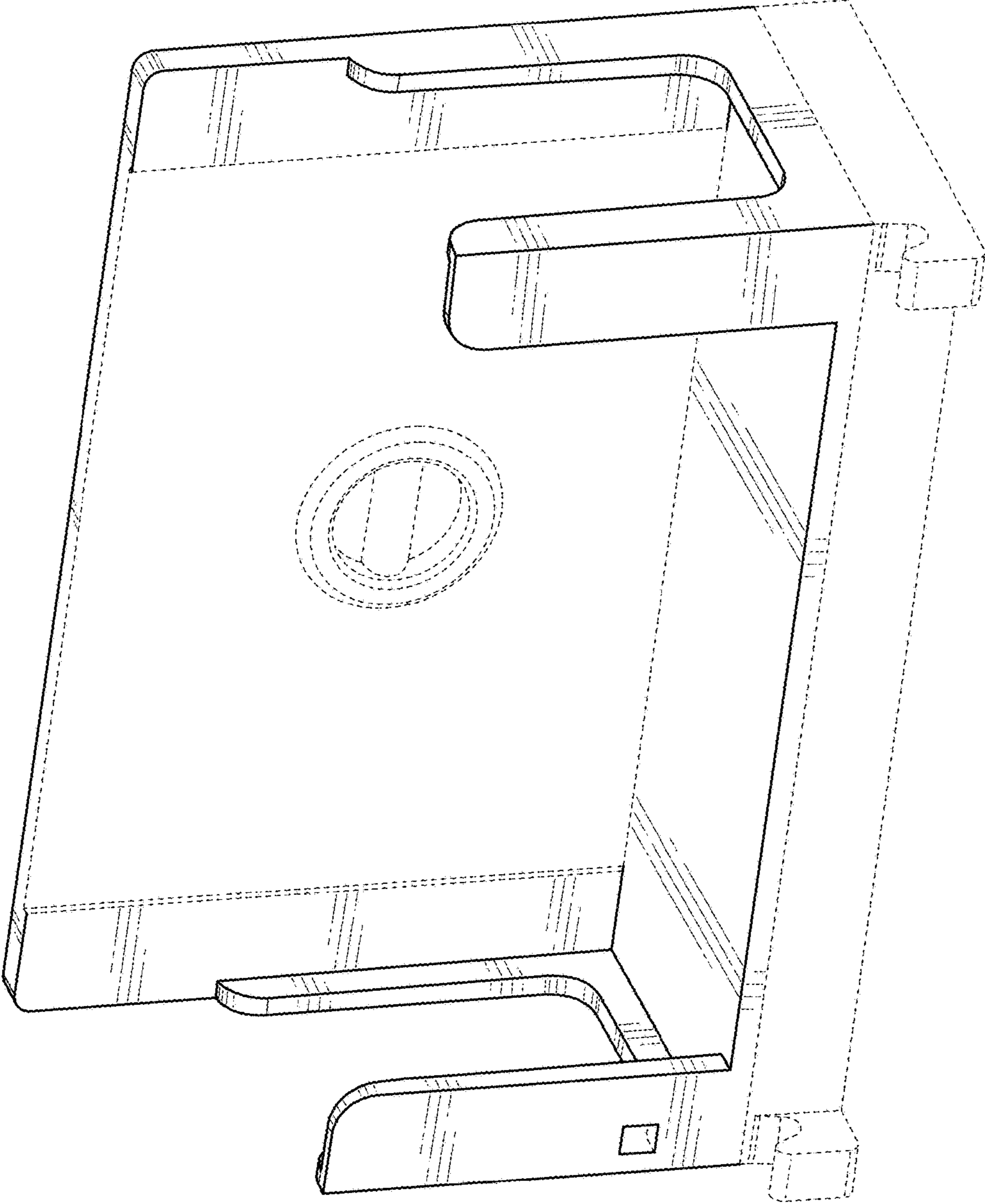


FIG. 1

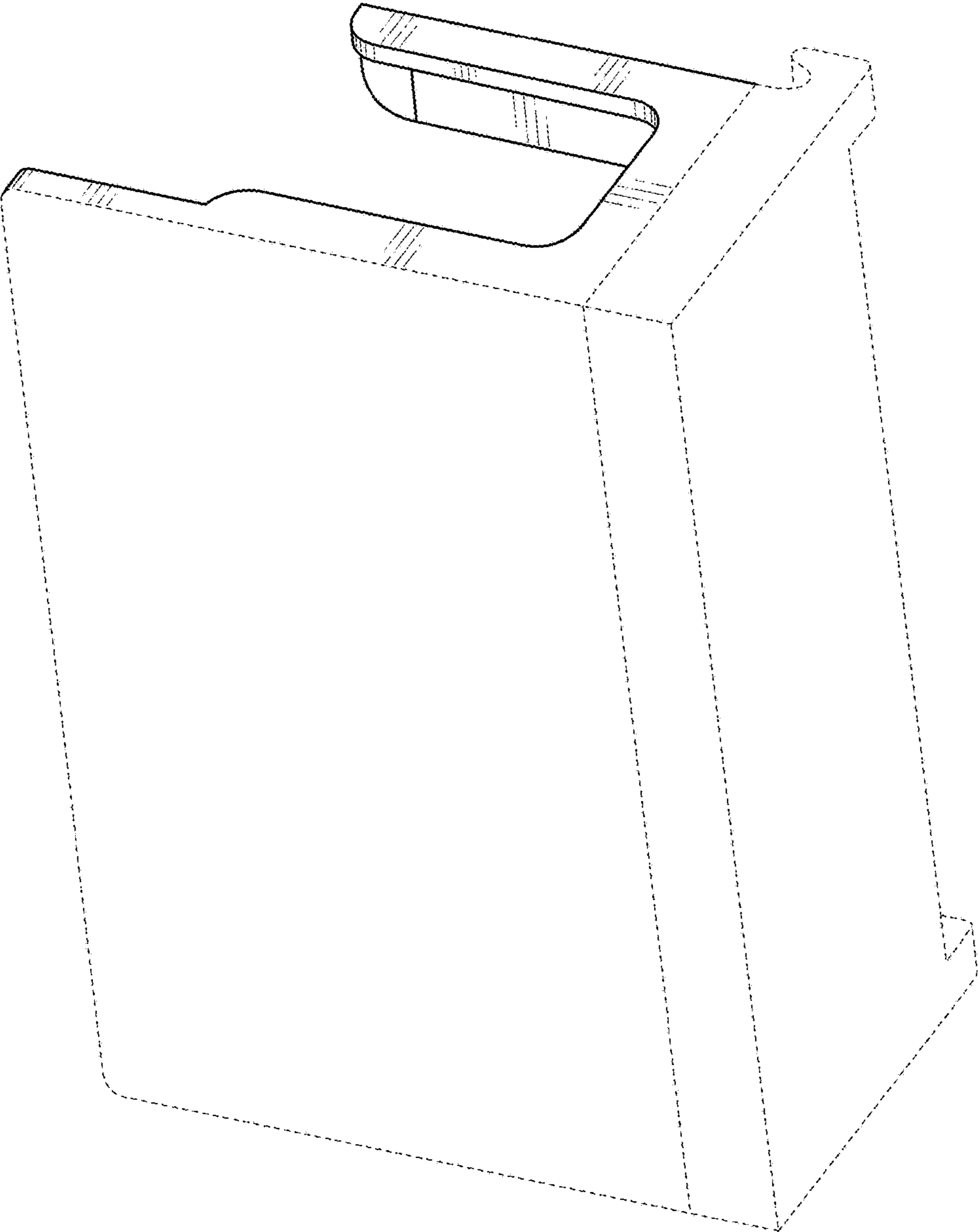


FIG. 2

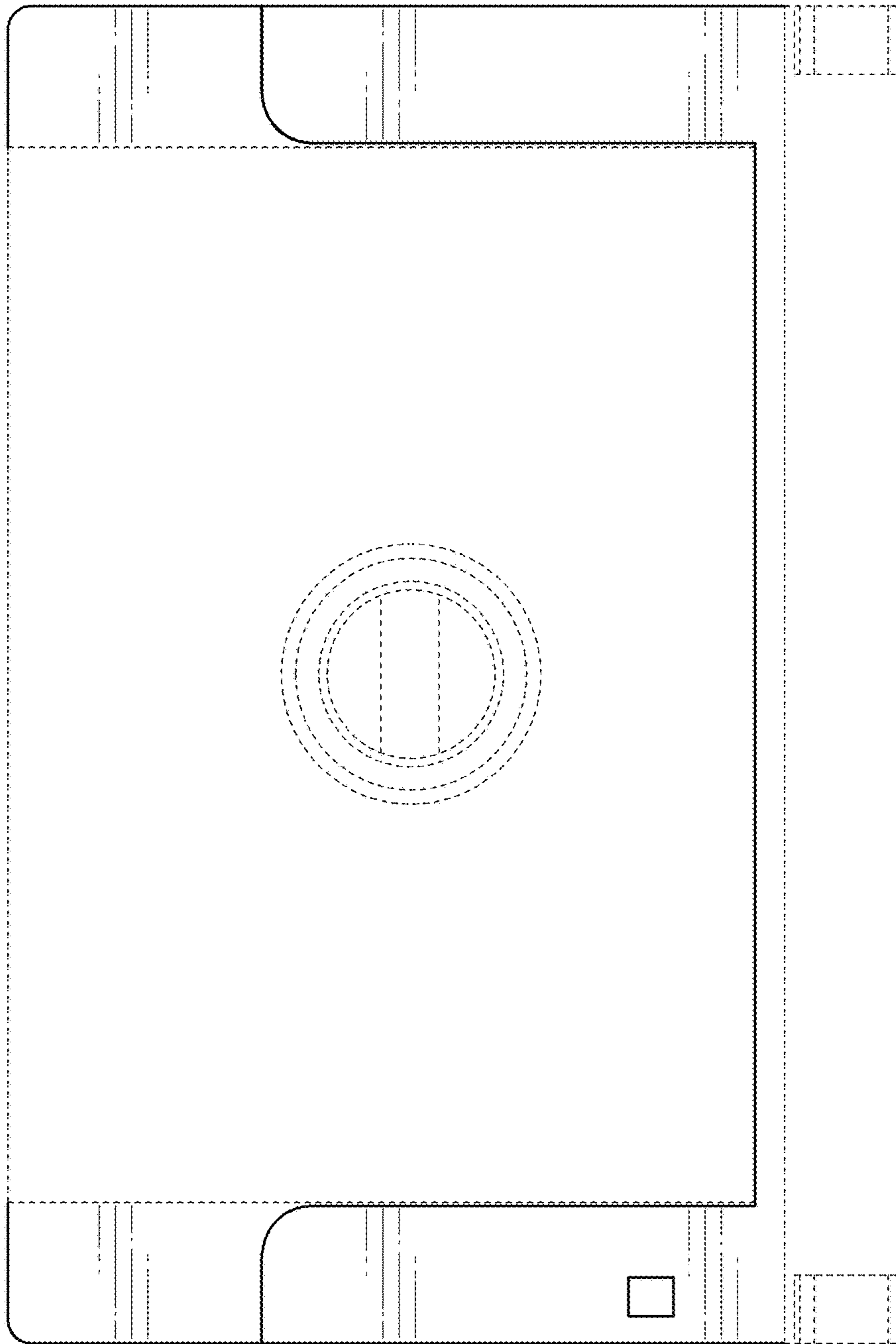


FIG. 3

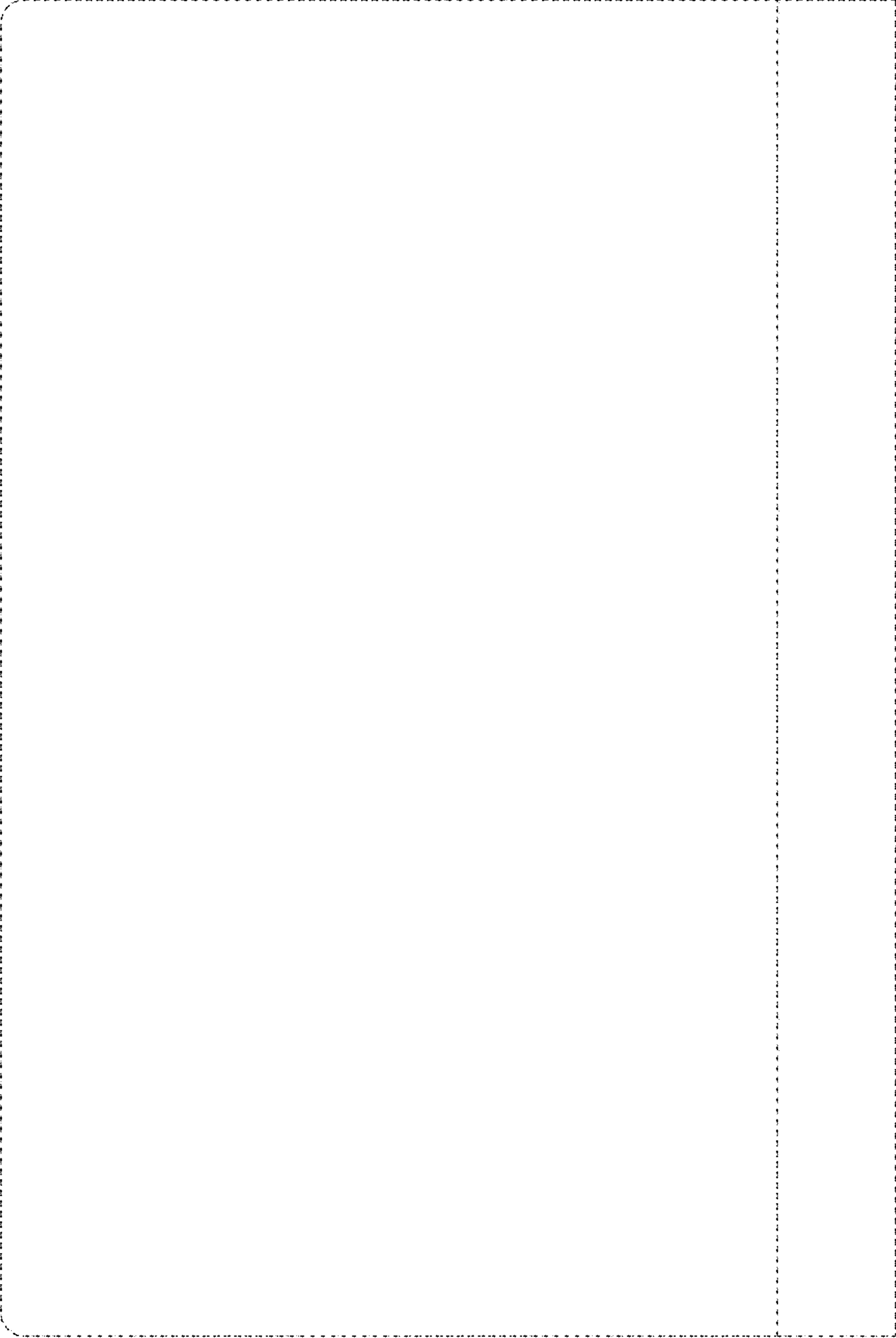


FIG. 4

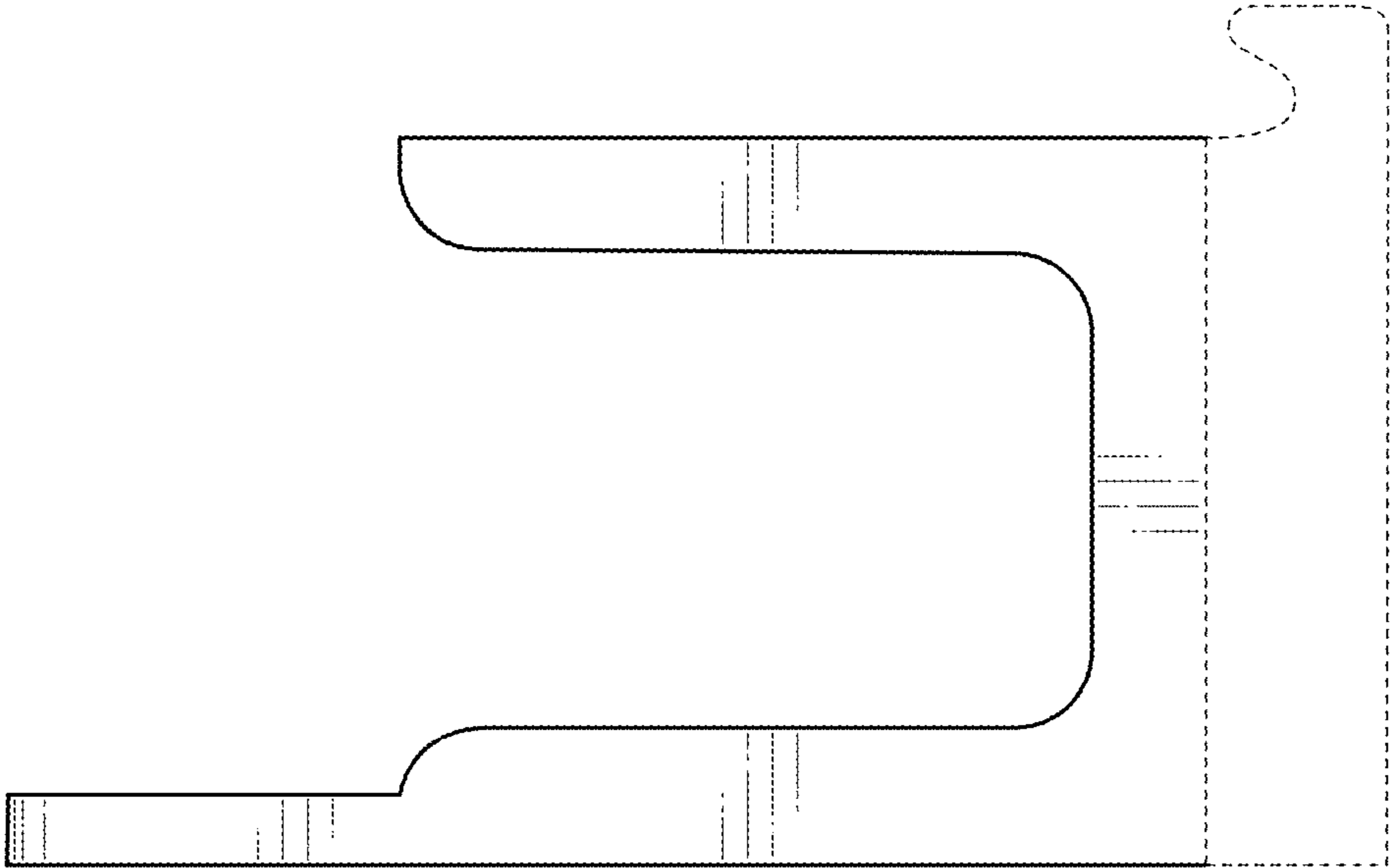


FIG. 5

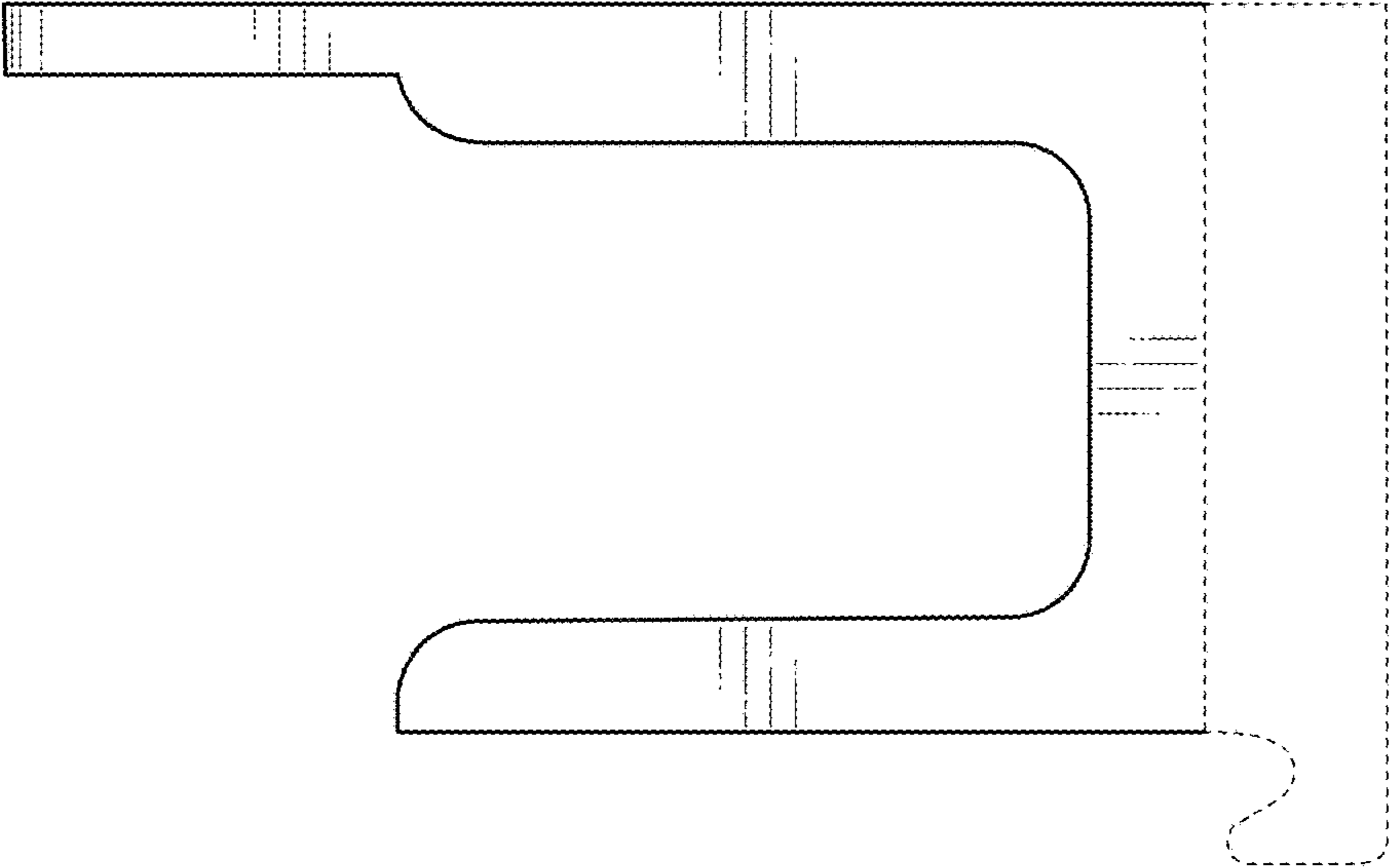


FIG. 6

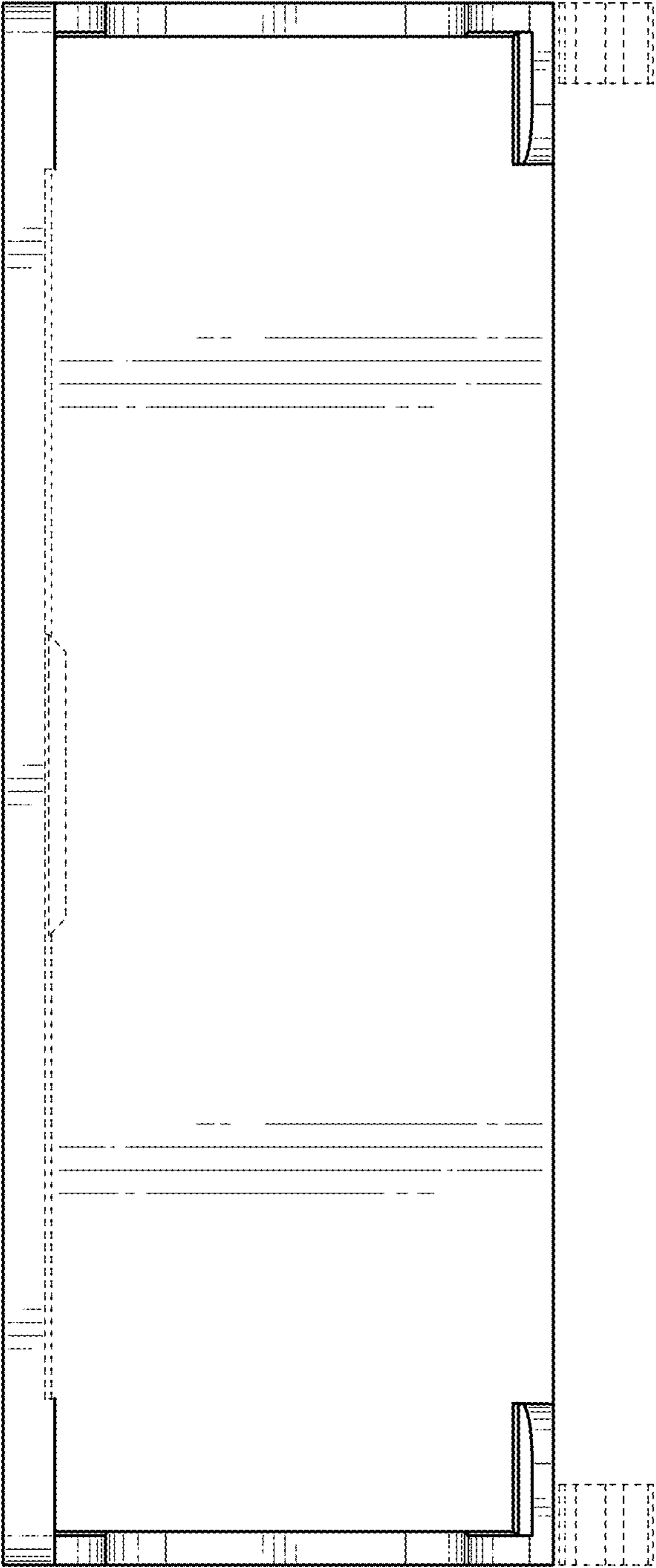


FIG. 7

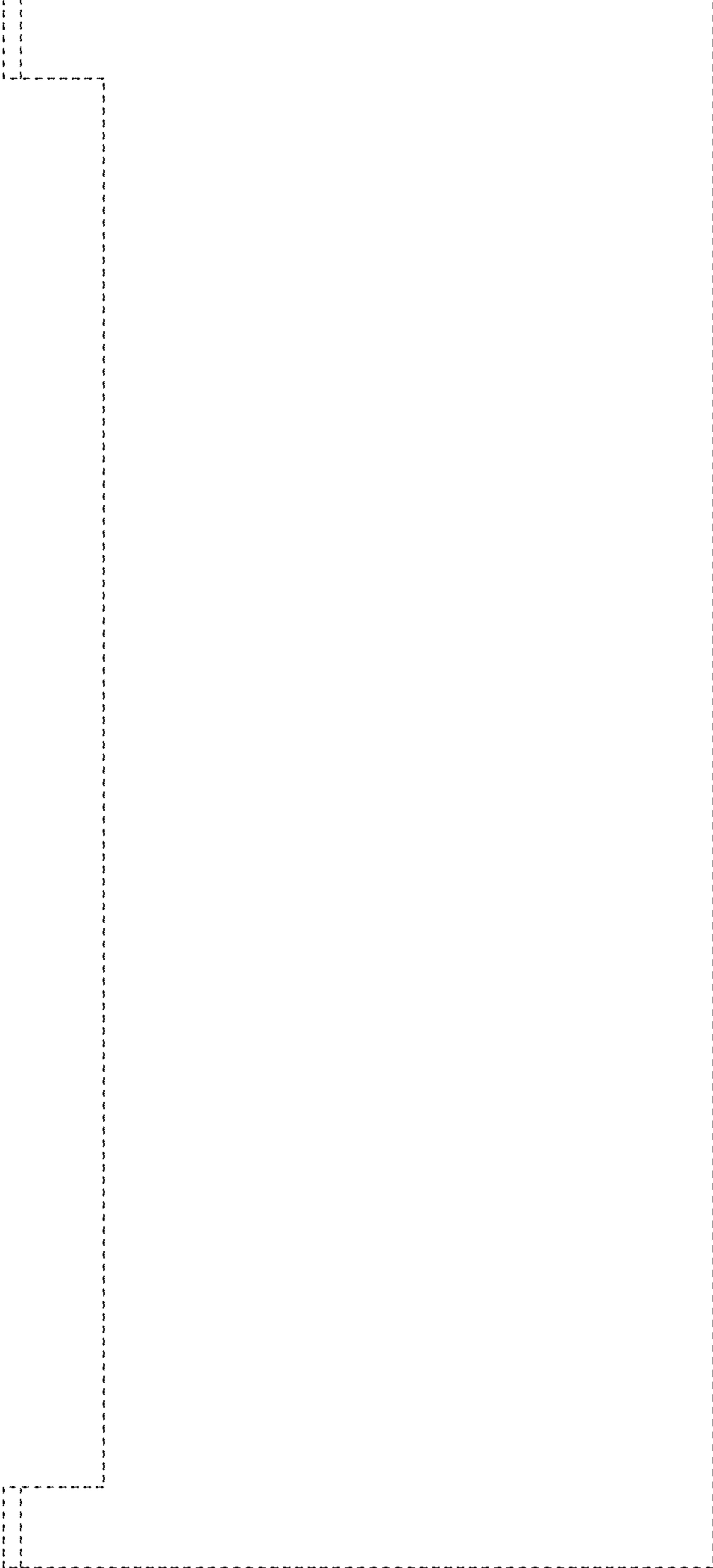


FIG. 8