



US00D813240S

(12) **United States Design Patent** (10) **Patent No.:** **US D813,240 S**
Yeruva et al. (45) **Date of Patent:** **** Mar. 20, 2018**

(54) **DOCK**

H02J 7/0045; H02J 7/355; G06K 7/1088;
G06K 7/109

(71) Applicant: **Clover Network, Inc.**, Sunnyvale, CA
(US)

See application file for complete search history.

(72) Inventors: **Siva Raja Sekhar Reddy Yeruva**,
Menlo Park, CA (US); **Sam Niansheng**
Qiu, Palo Alto, CA (US); **David**
Frederick Lyons, Palo Alto, CA (US);
Christopher Loew, Palo Alto, CA
(US); **Eric David Fuhs**, Sunnyvale, CA
(US); **John Daniel Beatty**, Emerald
Hills, CA (US); **Leonard Robert**
Speiser, Los Altos, CA (US)

(56) **References Cited**

U.S. PATENT DOCUMENTS

D216,641 S *	2/1970	Phillips	D14/253
D353,131 S *	12/1994	Nagele	D13/107
D396,447 S *	7/1998	Lloyd	D13/107
D419,956 S *	2/2000	Lucaci	D13/108
D434,372 S *	11/2000	Buchin	D13/108
D435,042 S *	12/2000	Sun	D14/253
D466,476 S *	12/2002	Stratford	D13/108
D486,786 S *	2/2004	Eroma	D13/108
D493,801 S *	8/2004	Byun	D14/434
D507,794 S *	7/2005	Wang	D14/434
D517,086 S *	3/2006	Siebel	D14/453
D526,995 S *	8/2006	Claxton	D13/108
D534,489 S *	1/2007	Klein	D13/108

(Continued)

(73) Assignee: **Clover Network, Inc.**, Sunnyvale, CA
(US)

Primary Examiner — Susan Bennett Hattan

Assistant Examiner — Marie D. Fast Horse

(**) Term: **15 Years**

(74) *Attorney, Agent, or Firm* — Daylight Law, P.C.

(21) Appl. No.: **29/590,928**

(22) Filed: **Jan. 13, 2017**

(57) **CLAIM**

The ornamental design for a dock, as shown and described.

(51) **LOC (11) Cl.** **14-02**

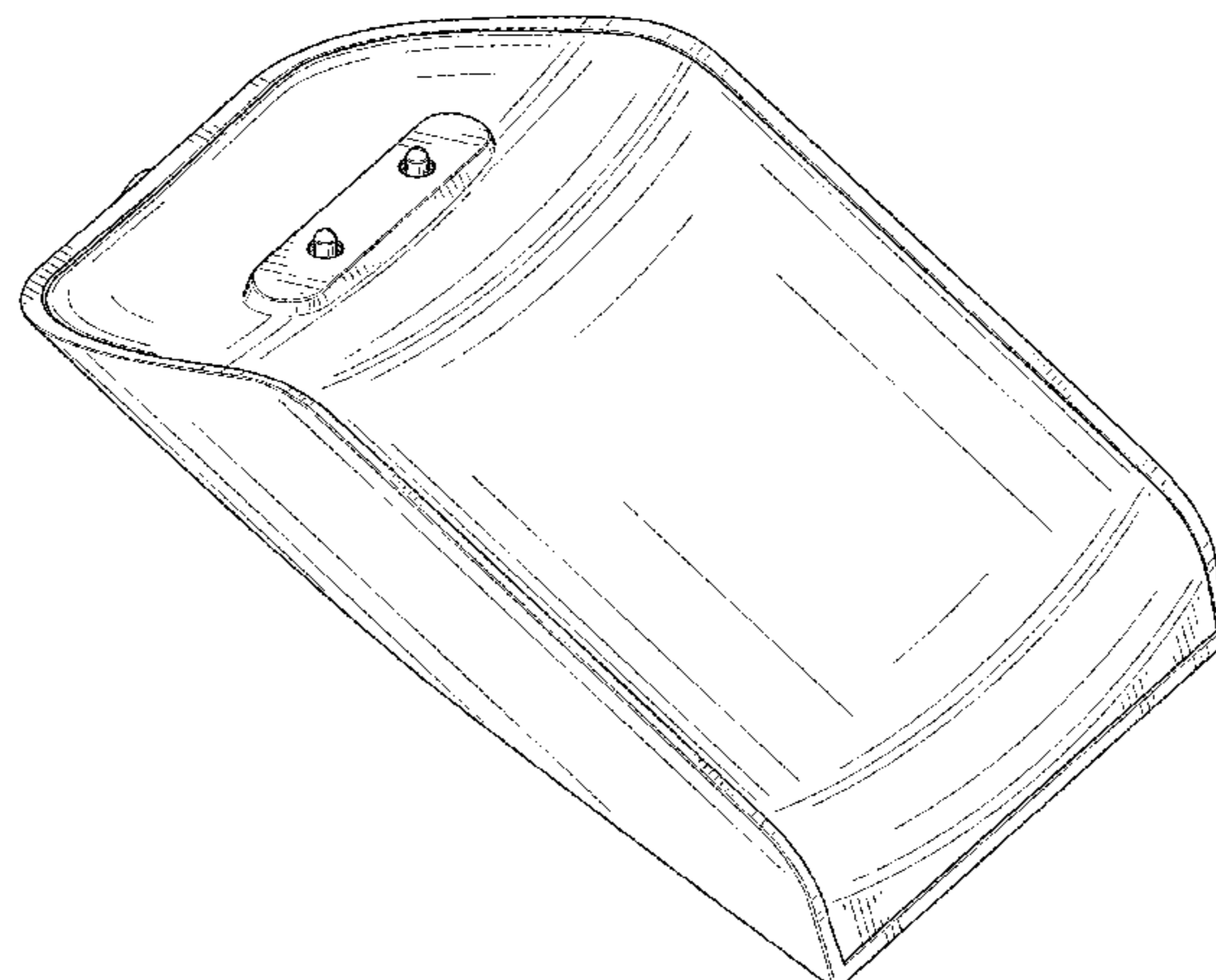
(52) **U.S. Cl.**
USPC **D14/434**; D18/12; D13/108

DESCRIPTION

(58) **Field of Classification Search**
USPC D14/434, 440, 447, 251–253, 432, 451,
D14/452, 454, 140, 142, 149, 217, 240,
D14/299, 496, 356, 358, 171, 357, 433,
D14/359, 361, 363, 385; D13/103, 107,
D13/108, 118, 119, 184, 110; D21/333;
D6/512, 672, 682; D18/4.4, 4.5, 4.6, 12
CPC G06F 1/1632; G06F 1/1635; G06F 1/1637;
G06F 13/00; G06F 13/387; G06F 3/05;
H01M 10/44; F16M 11/00; H02J 7/0042;
H02J 7/00; H02J 7/0027; H02J 7/0044;

FIG. 1 is a perspective view of a dock showing our new design;
FIG. 2 is a front view thereof;
FIG. 3 is a rear view thereof;
FIG. 4 is a right side view thereof;
FIG. 5 is a left side view thereof;
FIG. 6 is a top view thereof;
FIG. 7 is a bottom view thereof; and,
FIG. 8 is another perspective view thereof, shown with an environmental tablet and cable.
The broken lines in FIG. 7 depict portions of the dock that form no part of the claimed design.

(Continued)



The broken lines in FIG. 8 depict environmental structures that are for illustrative purposes only and form no part of the claimed design.

1 Claim, 6 Drawing Sheets

(56)

References Cited

U.S. PATENT DOCUMENTS

D543,580 S *	5/2007	Henry	D18/4.4
D545,319 S *	6/2007	Griffin	D14/434
D549,707 S *	8/2007	Depay	D14/434
D564,445 S *	3/2008	Stratford	D13/108
D587,744 S *	3/2009	Nelson	D18/4.4
D605,588 S *	12/2009	Nomi	D13/108
D608,732 S *	1/2010	Hillard	D13/107

D623,641 S *	9/2010	Harden	D14/253
D629,806 S *	12/2010	Ho	D14/434
D640,249 S *	6/2011	Choi	D14/253
D646,267 S *	10/2011	Salzedo	D14/253
D655,345 S *	3/2012	Maier-Hunke	D19/90
D670,282 S *	11/2012	McManigal	D14/253
D680,535 S *	4/2013	Tzeng	D14/434
D709,447 S *	7/2014	Ibuki	D13/108
D722,056 S *	2/2015	Nguyen	D13/108
D749,507 S *	2/2016	Choi	D13/108
D750,020 S *	2/2016	Song	D13/108
D752,013 S *	3/2016	Benedetti	D14/204
D752,051 S *	3/2016	Chen	D14/434
D762,171 S *	7/2016	Jung	D13/108
D781,232 S *	3/2017	Pel	D13/108
D790,553 S *	6/2017	Fitch	D14/453
2005/0189423 A1 *	9/2005	Kurobe	G06K 7/10881 235/462.45
2017/0192536 A1 *	7/2017	Wang	G06F 3/03543

* cited by examiner

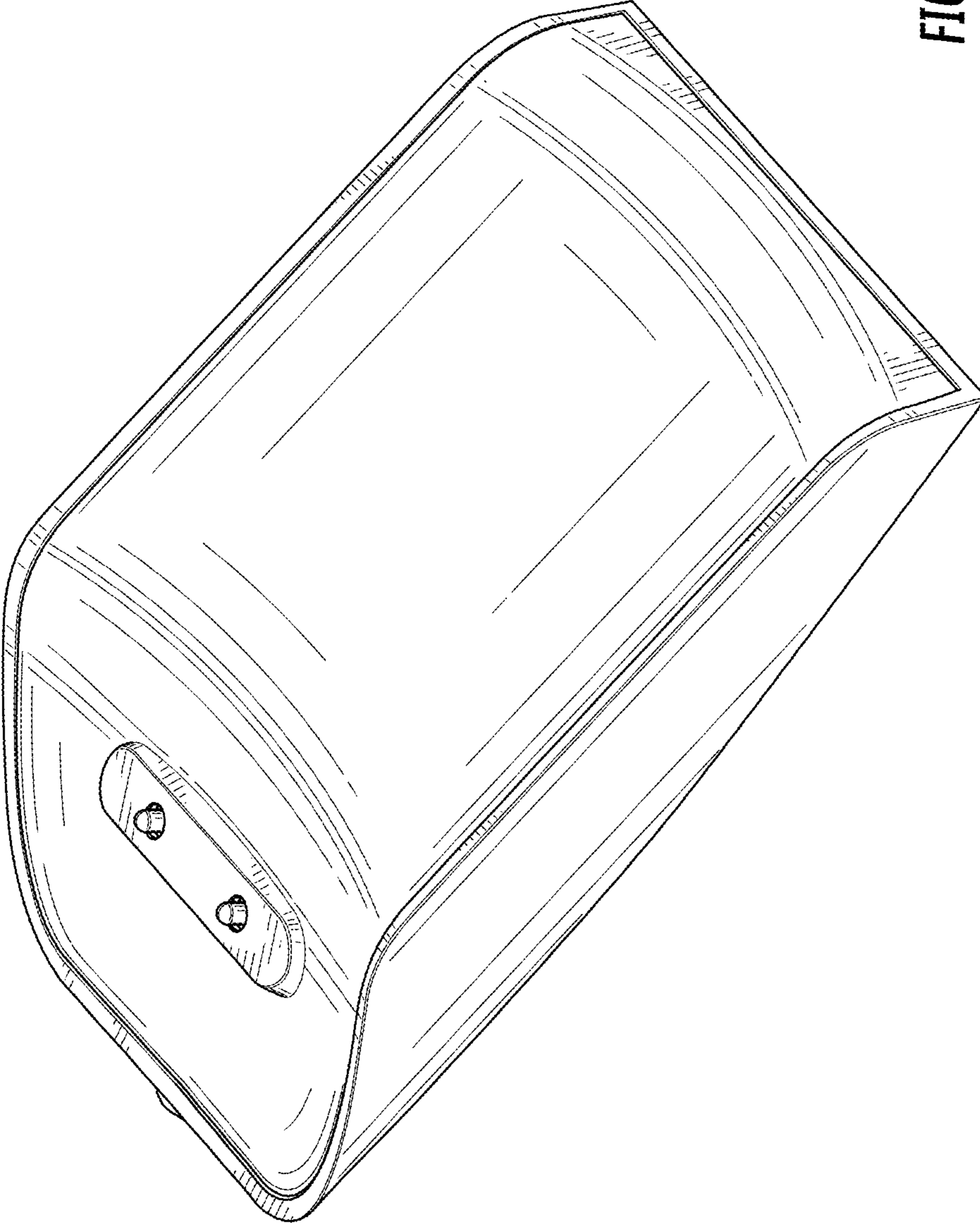


FIG. 1

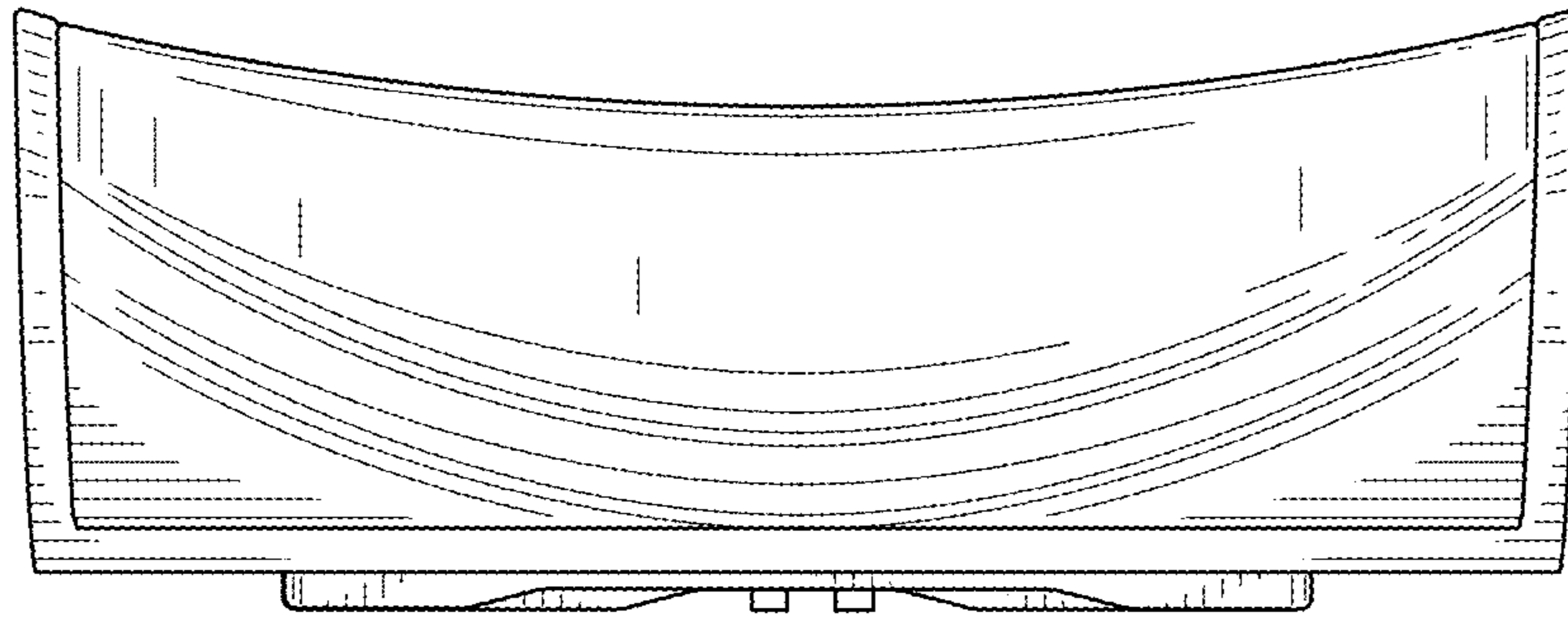


FIG. 2

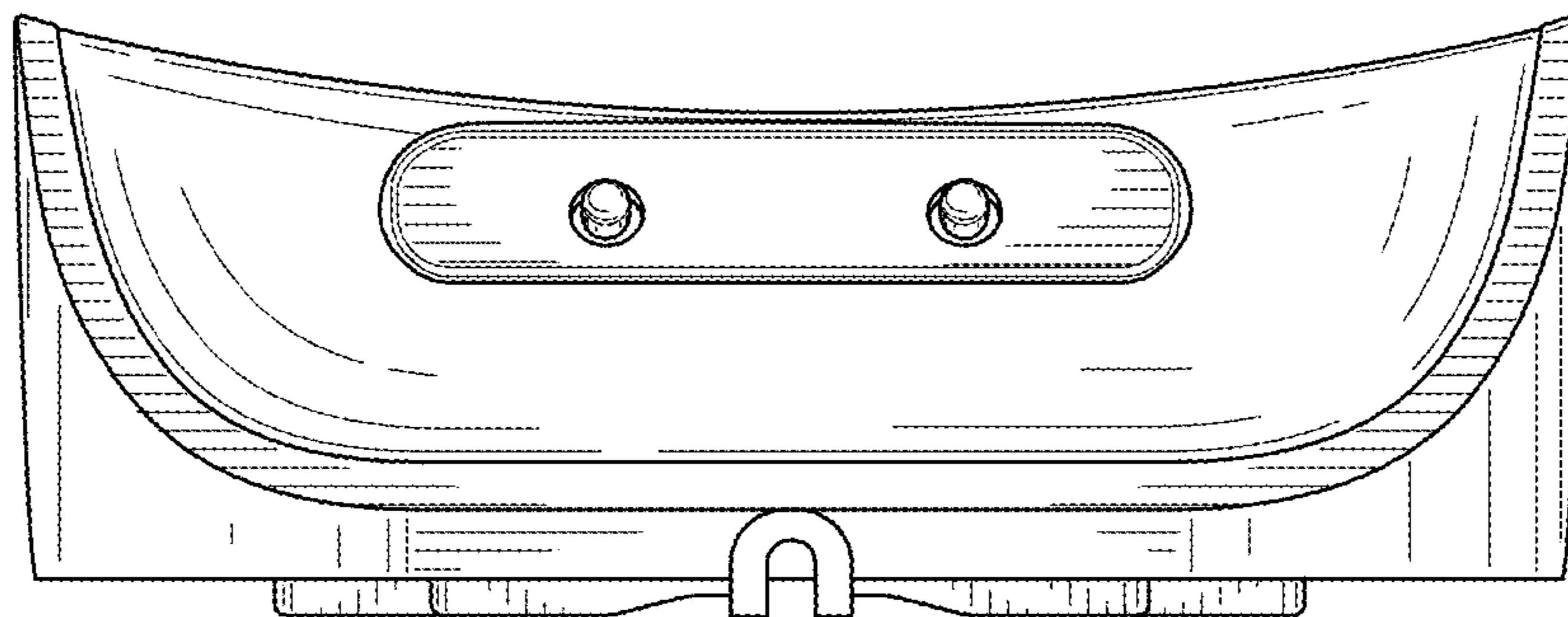


FIG. 3

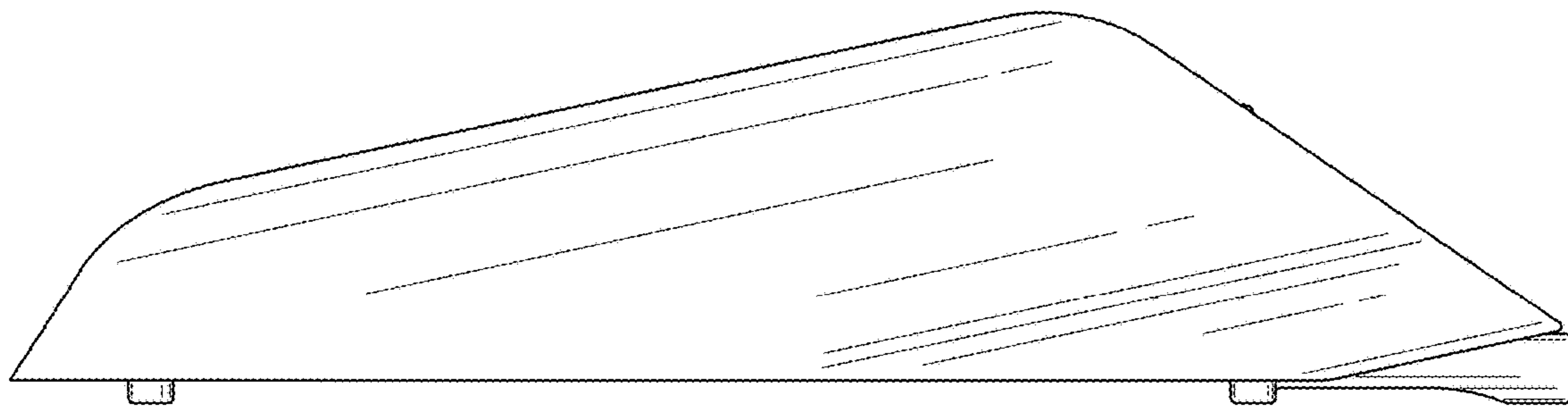


FIG. 4

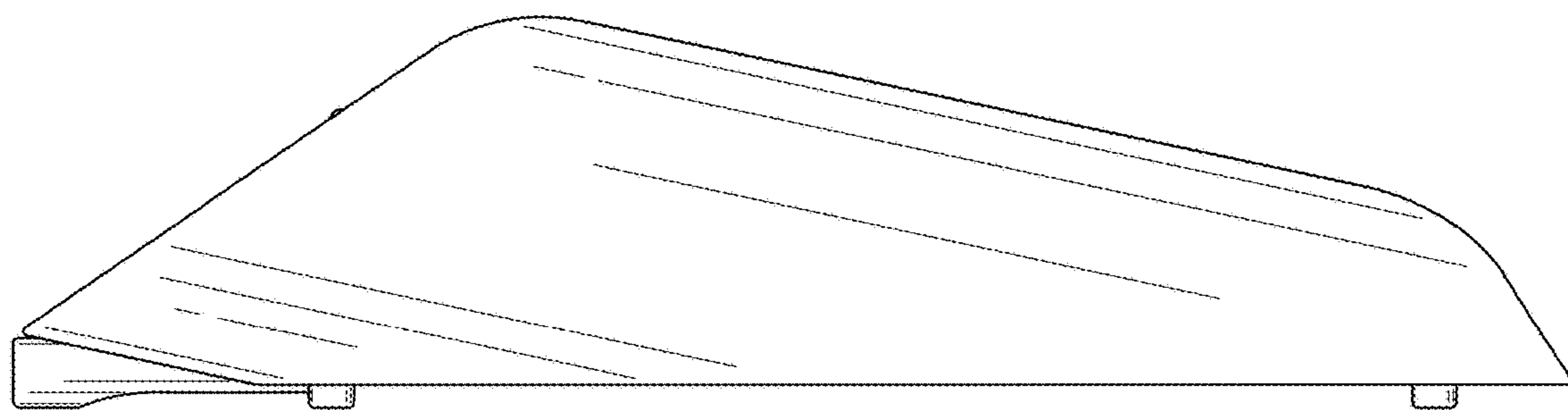


FIG. 5

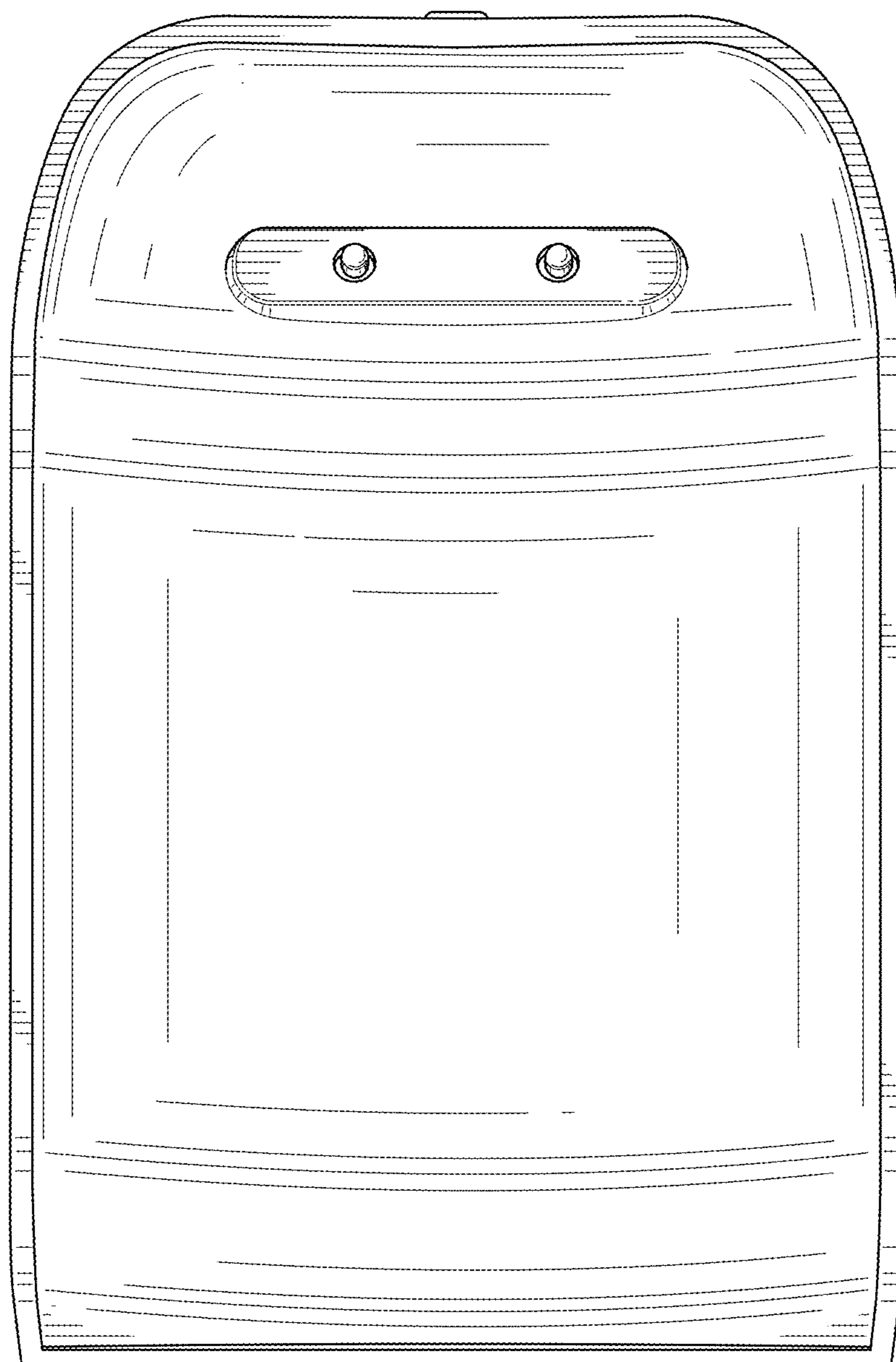


FIG. 6

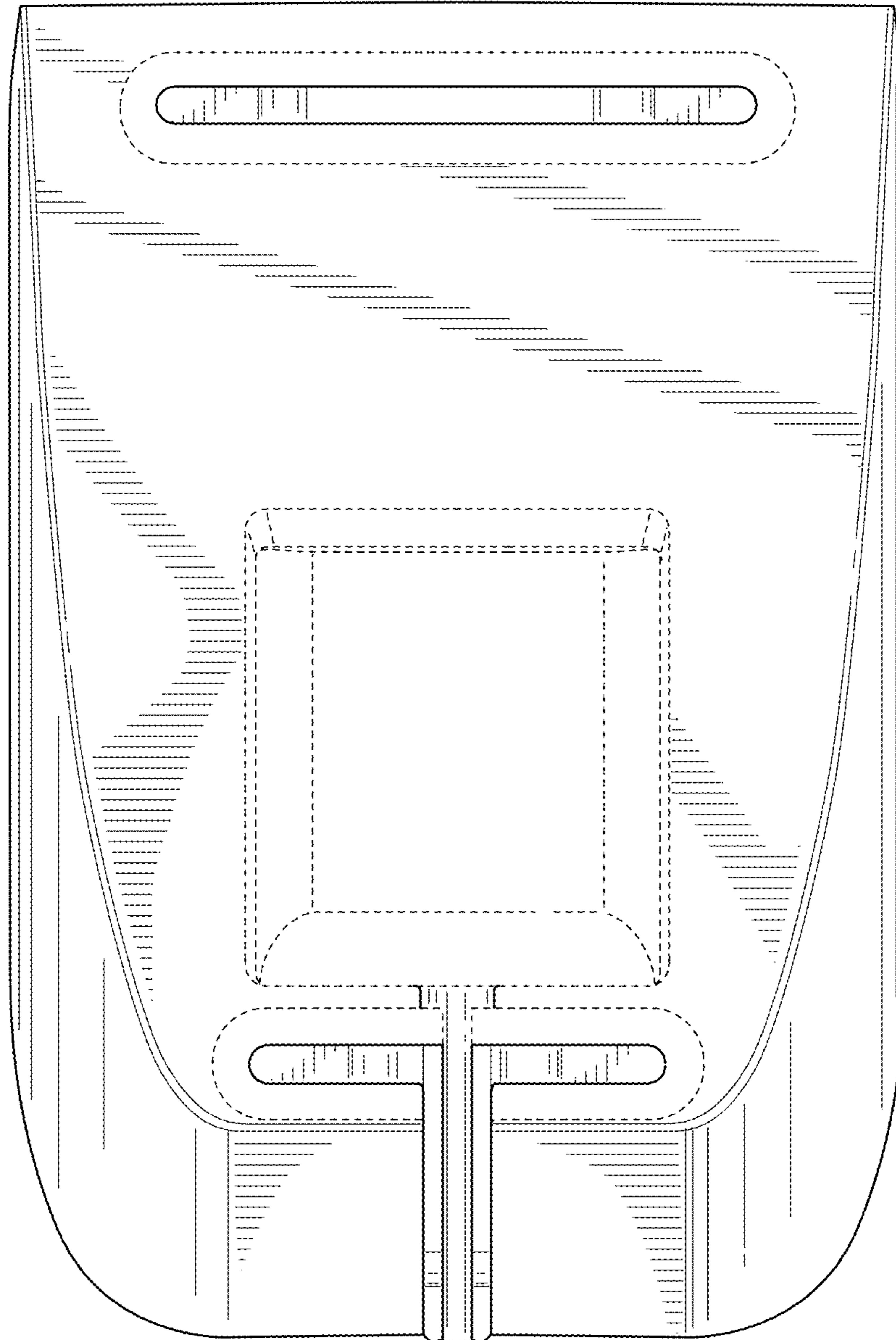


FIG. 7

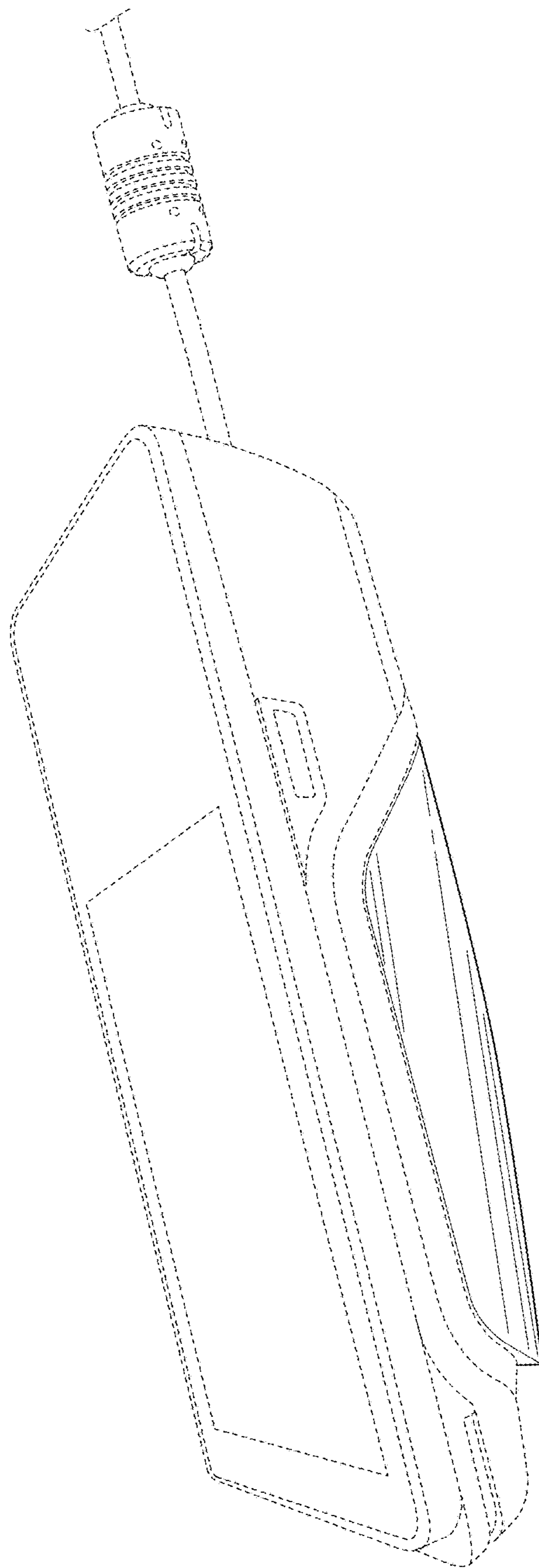


FIG. 8