



US00D813239S

(12) **United States Design Patent**  
**Akana et al.**

(10) **Patent No.:** **US D813,239 S**  
(45) **Date of Patent:** **\*\* Mar. 20, 2018**

(54) **CROWN FOR ELECTRONIC DEVICE**

(71) Applicant: **Apple Inc.**, Cupertino, CA (US)

(72) Inventors: **Jody Akana**, San Francisco, CA (US); **Bartley K. Andre**, Palo Alto, CA (US); **Shota Aoyagi**, San Francisco, CA (US); **Anthony Michael Ashcroft**, San Francisco, CA (US); **Jeremy Bataillou**, San Francisco, CA (US); **Brad G. Boozer**, Cupertino, CA (US); **Daniel J. Coster**, San Francisco, CA (US); **Daniele De Iuliis**, San Francisco, CA (US); **Colin Ely**, Cupertino, CA (US); **M. Evans Hankey**, San Francisco, CA (US); **Phillip M. Hobson**, Menlo Park, CA (US); **Julian Hoenig**, San Francisco, CA (US); **Richard P. Howarth**, San Francisco, CA (US); **Jonathan P. Ive**, San Francisco, CA (US); **Duncan Robert Kerr**, San Francisco, CA (US); **Marc A. Newson**, London (GB); **Matthew Dean Rohrbach**, San Francisco, CA (US); **Fletcher Rothkopf**, Los Altos, CA (US); **Peter Russell-Clarke**, San Francisco, CA (US); **Benjamin Andrew Shaffer**, San Jose, CA (US); **Mikael Silvanto**, San Francisco, CA (US); **Christopher J. Stringer**, Woodside, CA (US); **Eugene Antony Whang**, San Francisco, CA (US); **Michael Benjamin Wittenberg**, Sunnyvale, CA (US); **Rico Zörkendörfer**, San Francisco, CA (US)

(73) Assignee: **Apple Inc.**, Cupertino, CA (US)

(\*\*) Term: **15 Years**

(21) Appl. No.: **29/593,685**

(22) Filed: **Feb. 10, 2017**

**Related U.S. Application Data**

(63) Continuation of application No. 29/499,071, filed on Aug. 11, 2014, now Pat. No. Des. 778,912.

(51) **LOC (11) Cl.** ..... 14-02

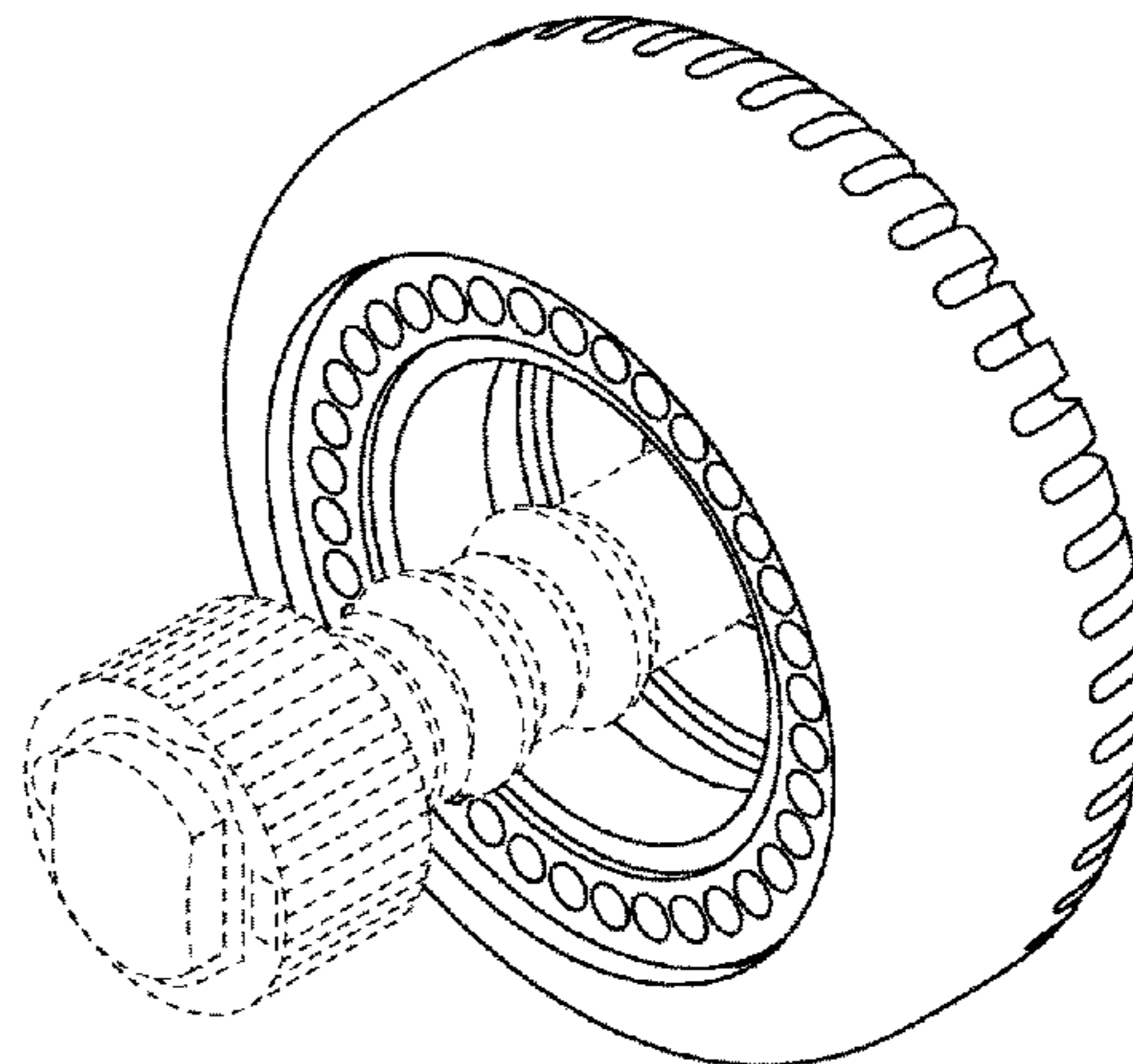
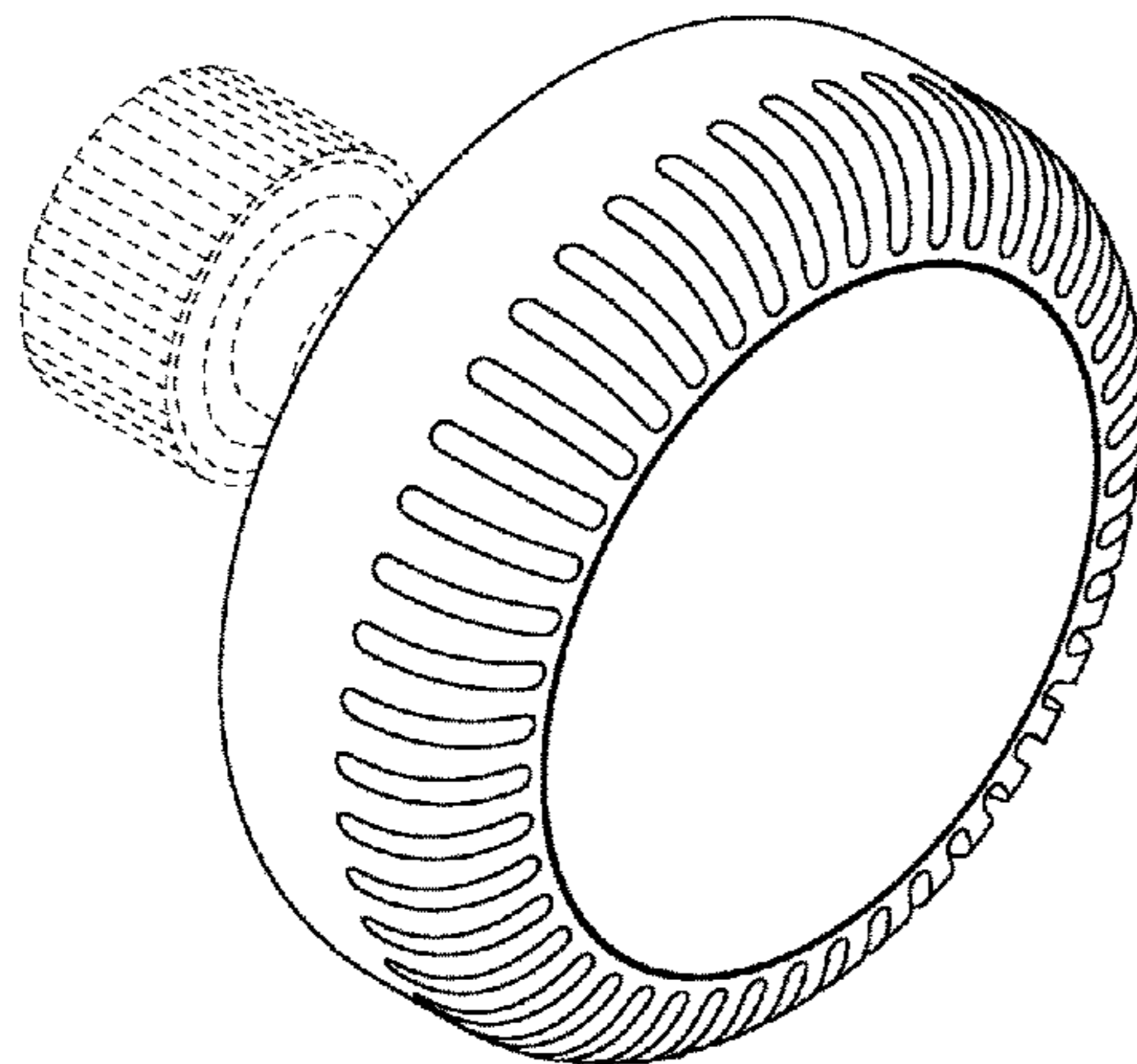
(52) **U.S. Cl.**  
USPC ..... **D14/432**

(58) **Field of Classification Search**  
USPC ..... D14/300-302, 308-313, 314, 348, D14/353-355, 432, 439-446, 240; 361/679.02, 679.31, 679.5, 690, 694, 361/679.23, 801, 802; 312/332.1, 334.1; D13/162; D10/50  
CPC ..... A45C 11/00; A45C 2011/003; B60R 11/0241; B60R 11/0252; F16M 13/00; F16M 11/00  
See application file for complete search history.

(56) **References Cited**

**U.S. PATENT DOCUMENTS**

D51,333 S *	10/1917	Heizmann	.....	D8/310
3,640,065 A	2/1972	Lederrey et al.		
D287,471 S	12/1986	Sato et al.		
5,386,933 A	2/1995	Greene et al.		
D372,658 S	8/1996	Decursu et al.		
D442,073 S *	5/2001	Lyndon	.....	D6/323
6,655,831 B1	12/2003	Ruffieux		
D496,589 S	9/2004	Perrenoud		
D503,717 S *	4/2005	Kawamura	.....	D14/432
6,970,157 B2	11/2005	Siddeeq		
D513,195 S	12/2005	Gruosi		
7,004,469 B2	2/2006	Von Goeben		
D528,439 S	9/2006	Burton		
D528,928 S	9/2006	Burton		
7,106,197 B2	9/2006	Gaiotto et al.		
D554,469 S *	11/2007	Sato	.....	D8/310
D558,227 S	12/2007	Cho et al.		
D572,266 S	7/2008	Anderson et al.		
D574,735 S	8/2008	Landman et al.		
D578,922 S	10/2008	Hoshino		
D584,170 S	1/2009	Morrison		
D586,823 S	2/2009	Anderson et al.		
D589,375 S	3/2009	Tang		
D592,037 S *	5/2009	Mattson	.....	D8/310
D596,610 S	7/2009	Hou		
D613,291 S *	4/2010	Carver	.....	D14/218
D616,417 S	5/2010	Liao		
7,708,457 B2	5/2010	Girardin et al.		
D637,094 S	5/2011	Cobbett et al.		
D637,918 S	5/2011	Cobbett et al.		
D650,706 S	12/2011	Zanella et al.		
D666,503 S	9/2012	Bulgari		



D678,284 S	*	3/2013	Coulter	.....	D14/412
D681,483 S		5/2013	Biegert et al.		
D699,701 S		2/2014	Kim		
D719,961 S	*	12/2014	Xiang	.....	D14/447
D728,624 S		5/2015	Akana et al.		
D737,156 S		8/2015	Akana et al.		
D737,157 S		8/2015	Akana et al.		
D737,158 S		8/2015	Akana et al.		
D737,159 S		8/2015	Akana et al.		
D741,726 S		10/2015	Akana et al.		
D744,356 S		12/2015	Akana et al.		
D745,421 S		12/2015	Akana et al.		
D746,707 S		1/2016	Akana et al.		
D746,868 S		1/2016	Akana et al.		
D751,070 S		3/2016	Akana et al.		
D752,044 S		3/2016	Akana et al.		
D756,357 S		5/2016	Akana et al.		
D758,363 S		6/2016	Akana et al.		
D759,011 S		6/2016	Akana et al.		
D759,725 S		6/2016	Akana et al.		
D763,967 S	*	8/2016	Kujawski	.....	D14/401
D764,597 S	*	8/2016	Kujawski	.....	D14/401
D766,752 S		9/2016	Akana et al.		
D768,634 S		10/2016	Akana et al.		
D771,035 S		11/2016	Akana et al.		
D771,036 S		11/2016	Akana et al.		
D778,912 S	*	2/2017	Akana	.....	D14/432
D791,771 S	*	7/2017	Akana	.....	D14/432
2010/0061191 A1		3/2010	Chen		

## FOREIGN PATENT DOCUMENTS

DE	10229050	C1	6/2003
EP	1098231	A1	5/2001
ES	001359301-0002		6/2013
WO	WO-DM/066491-004		3/2005
WO	WO-DM072215		9/2009
WO	WO-DM/077452-004		6/2011
WO	WO-2014135709	A2	9/2014

## OTHER PUBLICATIONS

Alvarez, Edgar, "Basis Peak to get its smartwatch-like features in December," *engadget.com*, <<http://www.engadget.com/2014/11/20/basis-peak-new-features/>>, dated Nov. 20, 2014, accessed Dec. 15, 2014.

Cool Material, "Braun Square Digital Watch," <<http://web.archive.org/web/20111125033014/http://coolmaterial.com/style/braun-square-digital-watch/>>, dated Nov. 25, 2011, accessed Dec. 18, 2014.

Emily, "Nixon—The Newton Digital," <<http://www.freshnessmag.com/2009/09/08/nixon-the-newton-digital/>>, *freshnessmag.com*, dated Sep. 8, 2009, accessed Oct. 9, 2014.

Fitbit, "Fitbit Surge™ Fitness Super Watch" <<https://www.fitbit.com/surge>>, accessed Dec. 15, 2014.

geekbuying.com, "Makibes unisex red led digital wrist watch with square case silicone watchband—white," <<http://www.geekbuying.com/item/Unisex-Red-LED-Digital-Wrist-Watch-with-Square-Case-Silicone-Watchband---White-326443.html>>, accessed Oct. 9, 2014.

Hodinkee.com, "Apple iPod Nano Now Available With Mickey Mouse Dial, Also Cheesy, Mechanically Inaccurate Open-Worked Dial," <<http://web.archive.org/web/20111006043916/http://www.hodinkee.com/blog/2011/10/5/apple-ipod-nano-now-available-with-mickey-mouse-dial-also-ch.html>>, dated Oct. 6, 2011, accessed Dec. 18, 2014.

Homego, "M6 Silver Smart Watch Cell Phone 1.54 inch Bluetooth 3.0 Dialer Outdoor Sports Pedometer," *amazon.com*, <<http://www.amazon.com/Silver-Bluetooth-Dialer-Outdoor-Pedometer/dp/B00MQTBGK6>>, accessed Dec. 15, 2014.

Ikepod, "Original Ikepod Watch With GMT—Marc Newson Design," *Watchbox.be*, <<http://www.watchbox.be/prod/Others-Watches/Marc%20Newson%20Design/item7165.htm#VJLm2fAo5D8>>, accessed Dec. 17, 2014.

LG Life's Good, "LG G Watch (W100)," <<http://www.lg.com/us/smart-watches/lg-W100-g-watch>>, accessed Dec. 18, 2014.

Metawatch, "FRAME—Black (MW3005)," <<http://meta.watch/collections/smartwatch-all/products/frame-ss-black-leather>>, accessed Dec. 15, 2014.

Omate, "Omate TrueSmart: Water-resistant standalone Smartwatch 2.0," <<http://www.kickstarter.com/projects/omate/omate-truesmart-water-resistant-standalone-smartwa>>, dated Aug. 21, 2013, accessed Oct. 8, 2014.

Ornate, "The TrueSmart™ is the world's first standalone smartwatch 2.0 running on top of Android and OUI 2.0," <<http://www.omate.com/product.html>>, accessed Dec. 15, 2014.

Pebble, "Pebble Smartwatch," *getpebble.com*, <<https://getpebble.com/checkout>>, accessed Dec. 15, 2014.

Samsung, "Samsung Gear™ 2 Charcoal Black SM-R3800VSAXAR," <<http://www.samsung.com/us/mobile/wearable-tech/SM-R3800VSAXAR>>, accessed Dec. 15, 2014.

Samsung, "Samsung Gear S™, (Sprint), Black SM-R750PZKASPR," <<http://www.samsung.com/us/mobile/wearable-tech/SM-R750PZKASPR>>, accessed Dec. 15, 2014.

Samsung, "Galaxy Gear™ Live, Black SM-R3820ZKAXAR," <<http://www.samsung.com/us/mobile/wearable-tech/SM-R3820ZKAXAR>>, accessed Dec. 15, 2014.

Sony, "SmartWatch," <<http://www.sonymobile.com/us/products/accessories/smartwatch/>>, accessed Dec. 15, 2014.

Sony, "SmartWatch 3 SWR50," <<http://www.sonymobile.com/us/products/smartwear/smartwatch-3-swr50/>>, accessed Dec. 15, 2014.

Stables, James, "Clevercare smartwatch aims to help Alzheimer's suffers and carers: Revamped Sony SmartWatch 2 designed for users that need care," *Wearable News*, <<http://www.wearable.com/wearable-tech/clevercare-smartwatch-aims-to-help-alzheimers-suffers-and-carers-585>>, dated Dec. 15, 2014.

Team Luxe, "Collector's Edition: Hermes Carre H Watch," *Luxpresso*, <<http://luxpresso.com/news-couture/collectors-edition-hermes-carre-h-watch/2814>>, dated Jan. 10, 2011, accessed Dec. 18, 2014.

Ted Baker, "Ted Baker Men's TE1054 Time Flies Contemporary Square Digital Case Watch," <<http://www.amazon.com/Ted-Baker-TE1054-Contemporary-Digital/dp/B0045CRTYO%03FSubscriptionId%3DAKIAJ3U4YRIBWCGGKZ2A%26tag%3Dfrases365-20%26linkCode%3Dsp1%26camp%3D2025%26creative%3D165953%26creativeASIN%3DB0045CRTYO>>, accessed Oct. 9, 2014.

Velazco, Chris, "ASUS ZenWatch review: subtle and stylish, with a few shortcomings," *Engadget.com*, <<http://www.engadget.com/2014/12/11/asus-zenwatch-review/>>, dated Dec. 11, 2014, accessed Dec. 15, 2014.

Watches Infoniac.com, "Hermes Carre H Watch—Extremely Contemporary Design," <<http://watches.infoniac.com/carre-h-watch-hermes.html>>, dated Aug. 13, 2010, accessed Dec. 18, 2014.

Watchismo, "Braun BN0042 Black Date Leather," <<http://web.archive.org/web/20130815073830/http://www.watchismo.com/braun-bn0042bkbk.aspx>>, dated Aug. 15, 2013, accessed Dec. 18, 2014.

"Louis Moinet Geograph," posted at *worldwatchreview.com*, dated Mar. 14, 2011. Available from Internet: <<http://www.worldwatchreview.com/2011/03/14/louis-moinet-geograph-limited-edition/>>. Retrieved Oct. 10, 2017.

"Innovative Components Knurled Knob K4 Master," posted at *knobsources.com/catalog\_prints.html*, Posting date unknown, Drawing dated Nov. 27, 2007. Available from Internet: <<http://www.knobsources.com/pdf/k4-master-rev-0.pdf>>. Retrieved Oct. 10, 2017.

\* cited by examiner

Primary Examiner — Austin Murphy

(74) *Attorney, Agent, or Firm* — Sterne, Kessler,  
Goldstein & Fox P.L.L.C.

(57) **CLAIM**

The ornamental design for a crown for electronic device, as  
shown and described.

**DESCRIPTION**

FIG. 1 is a front perspective view of a crown for electronic  
device showing the claimed design;

FIG. 2 is a rear perspective view thereof;

FIG. 3 is a front view thereof;

FIG. 4 is a rear view thereof;

FIG. 5 is a left side view thereof;

FIG. 6 is a right side view thereof;

FIG. 7 is a top view thereof; and,

FIG. 8 is a bottom view thereof.

The broken lines in the figures show portions of the crown  
for electronic device that form no part of the claimed design.

**1 Claim, 4 Drawing Sheets**

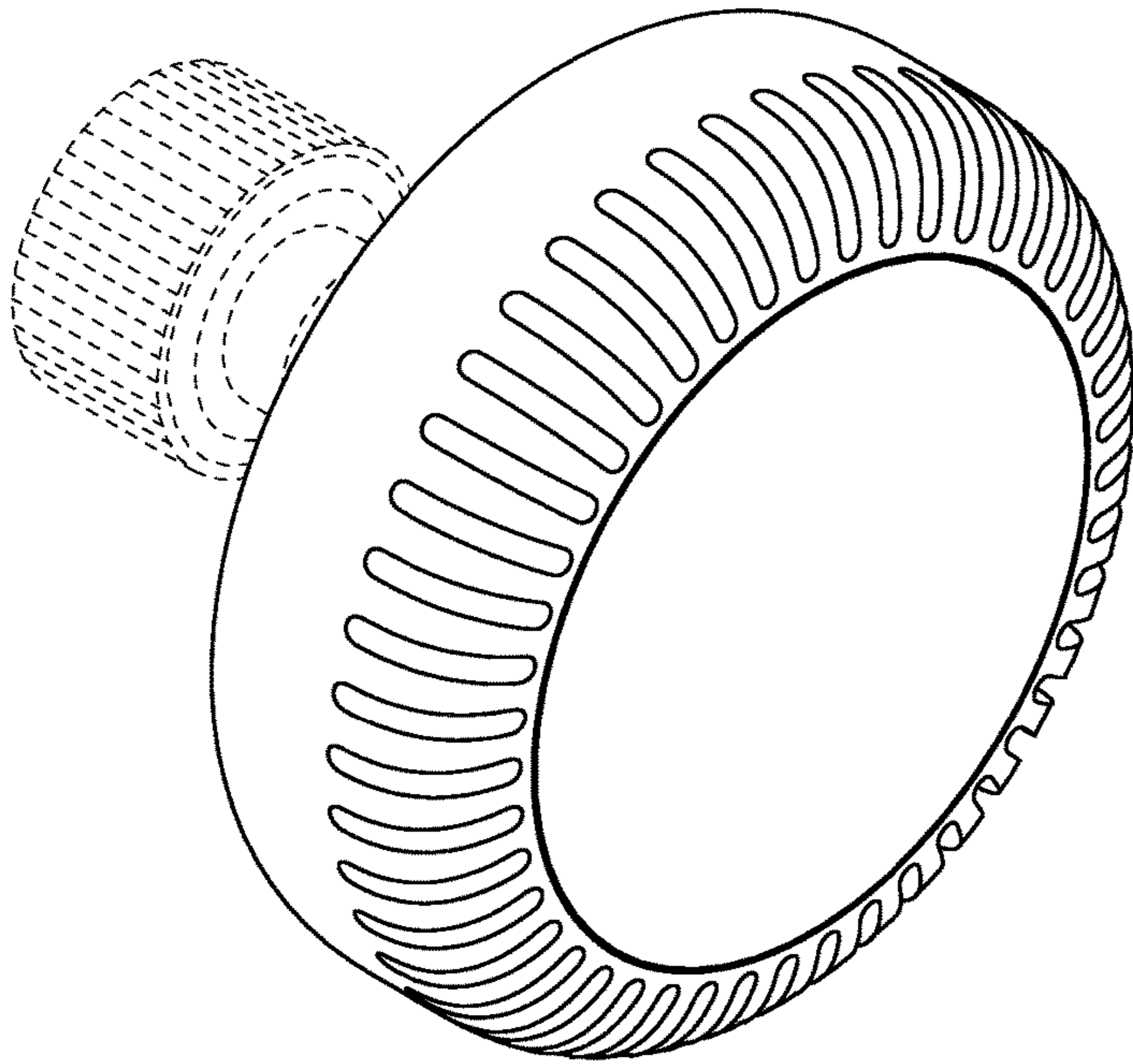


FIG. 1

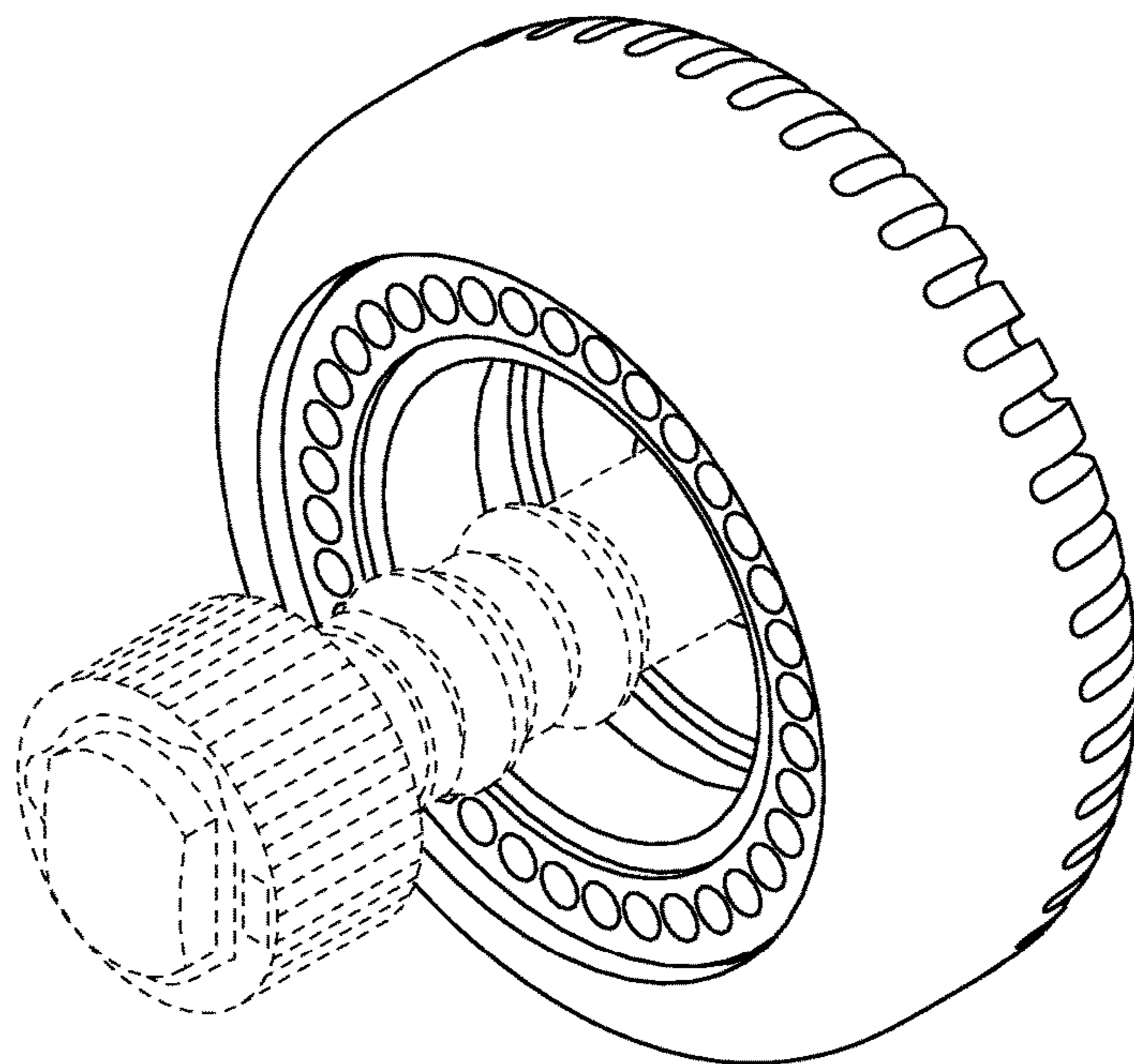
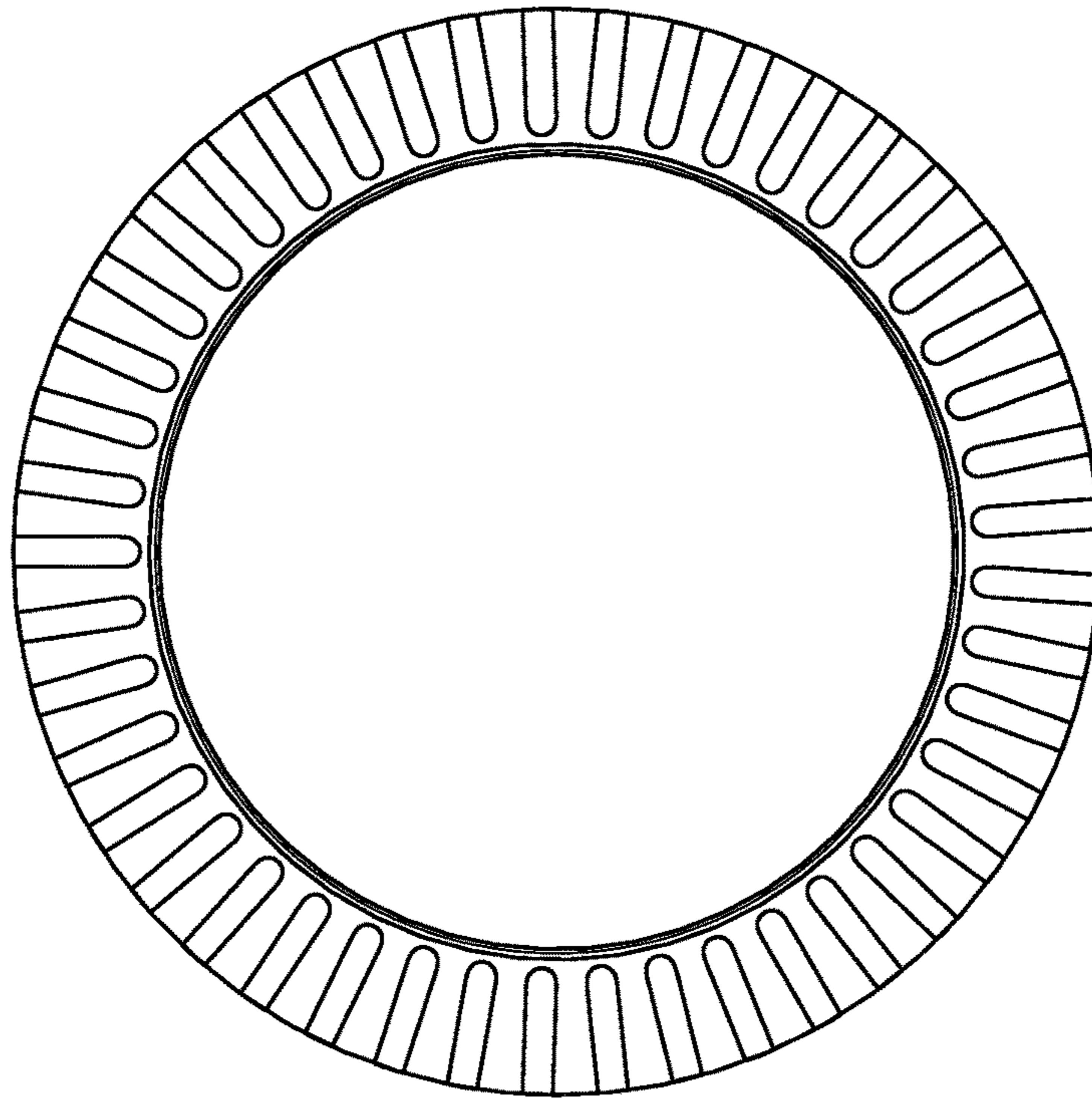
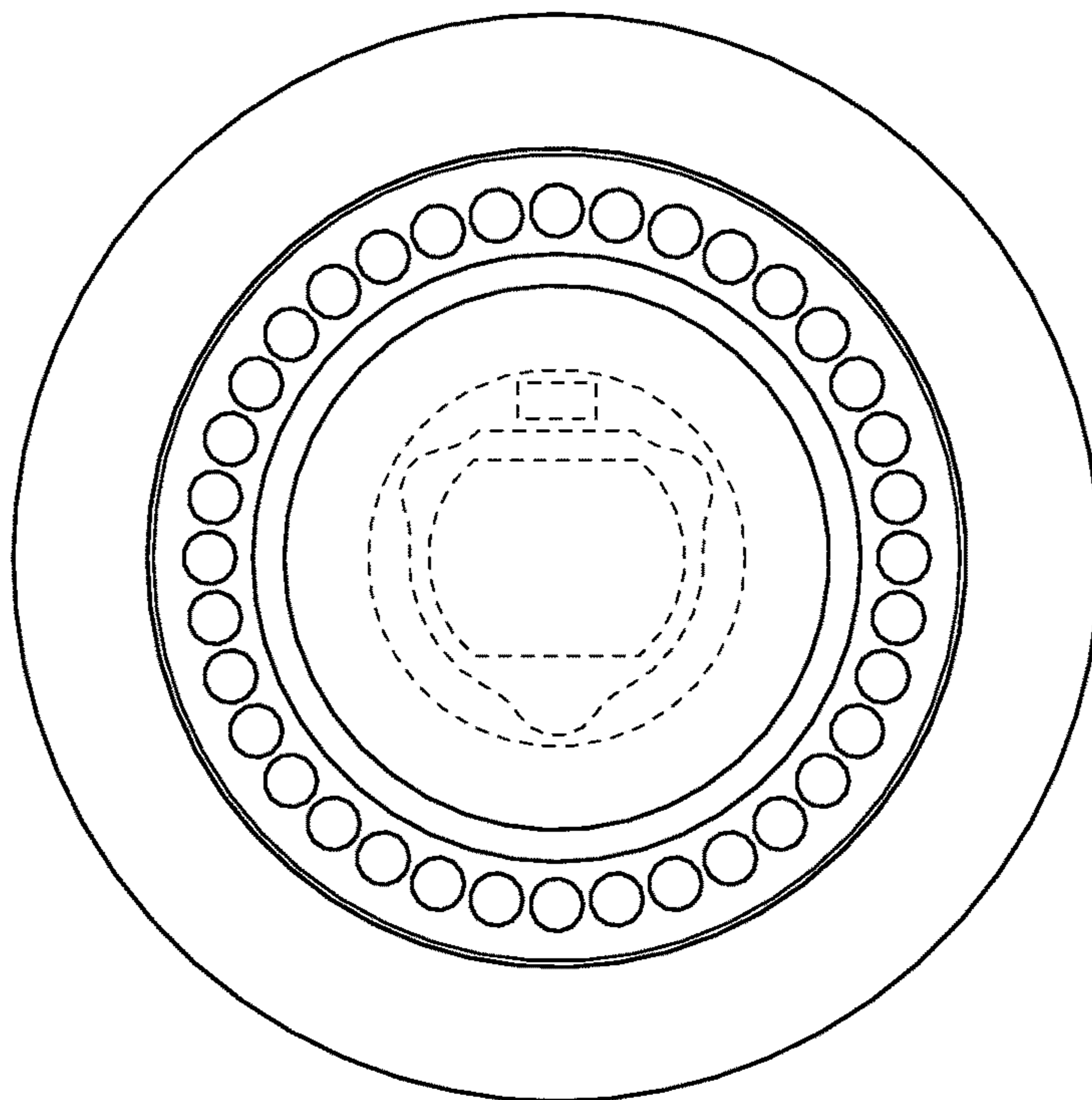


FIG. 2



**FIG. 3**



**FIG. 4**

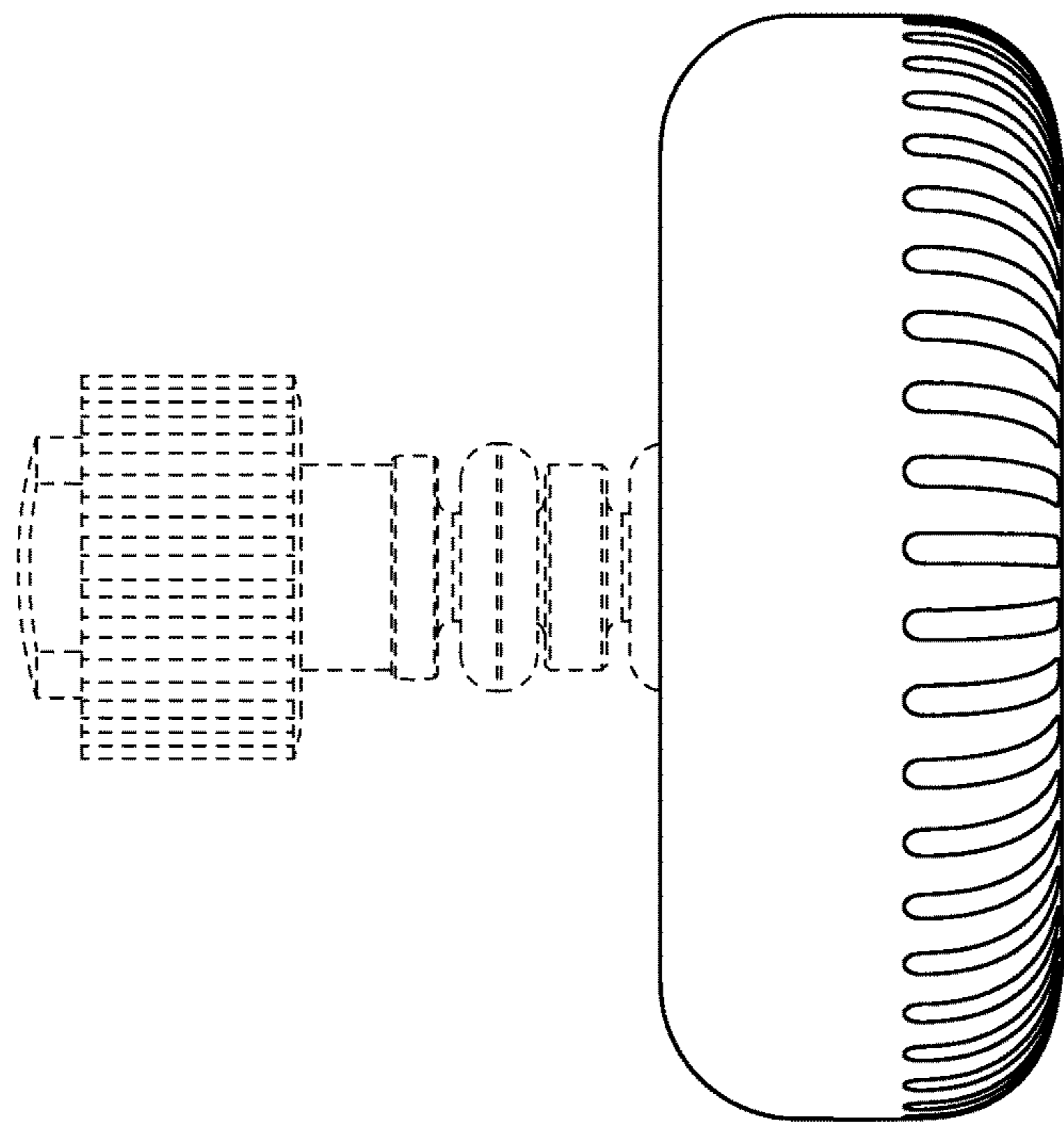


FIG. 5

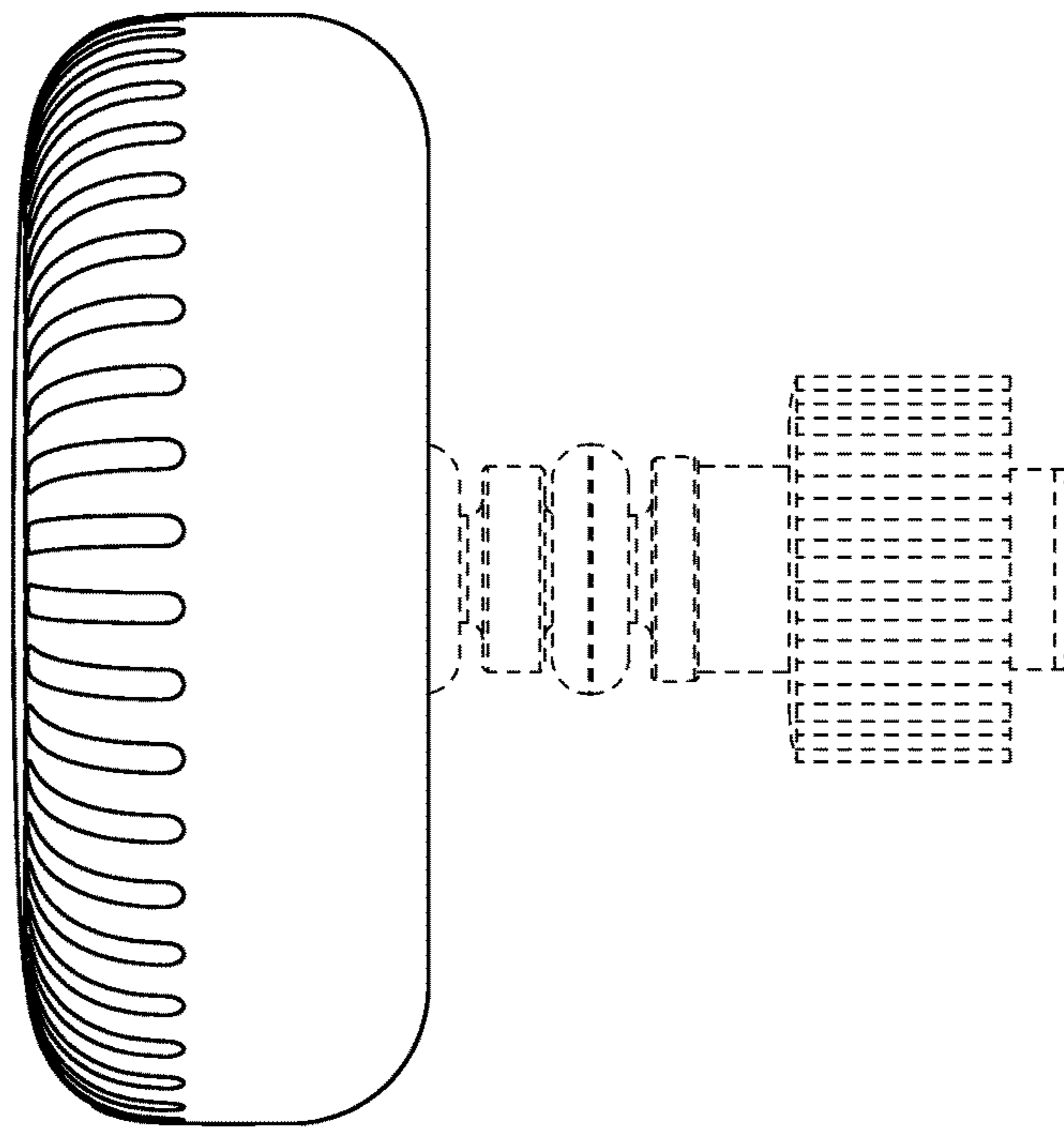
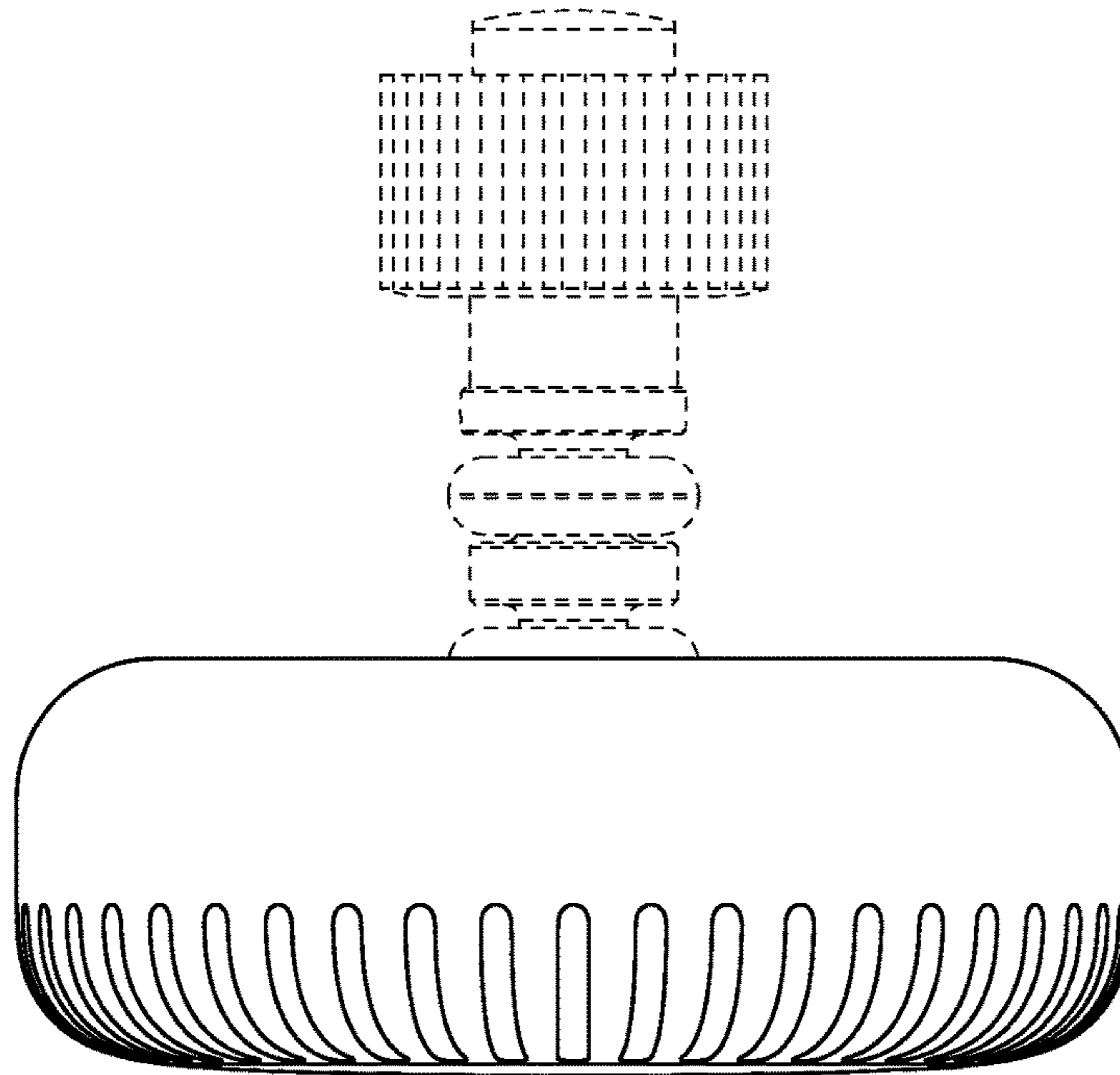
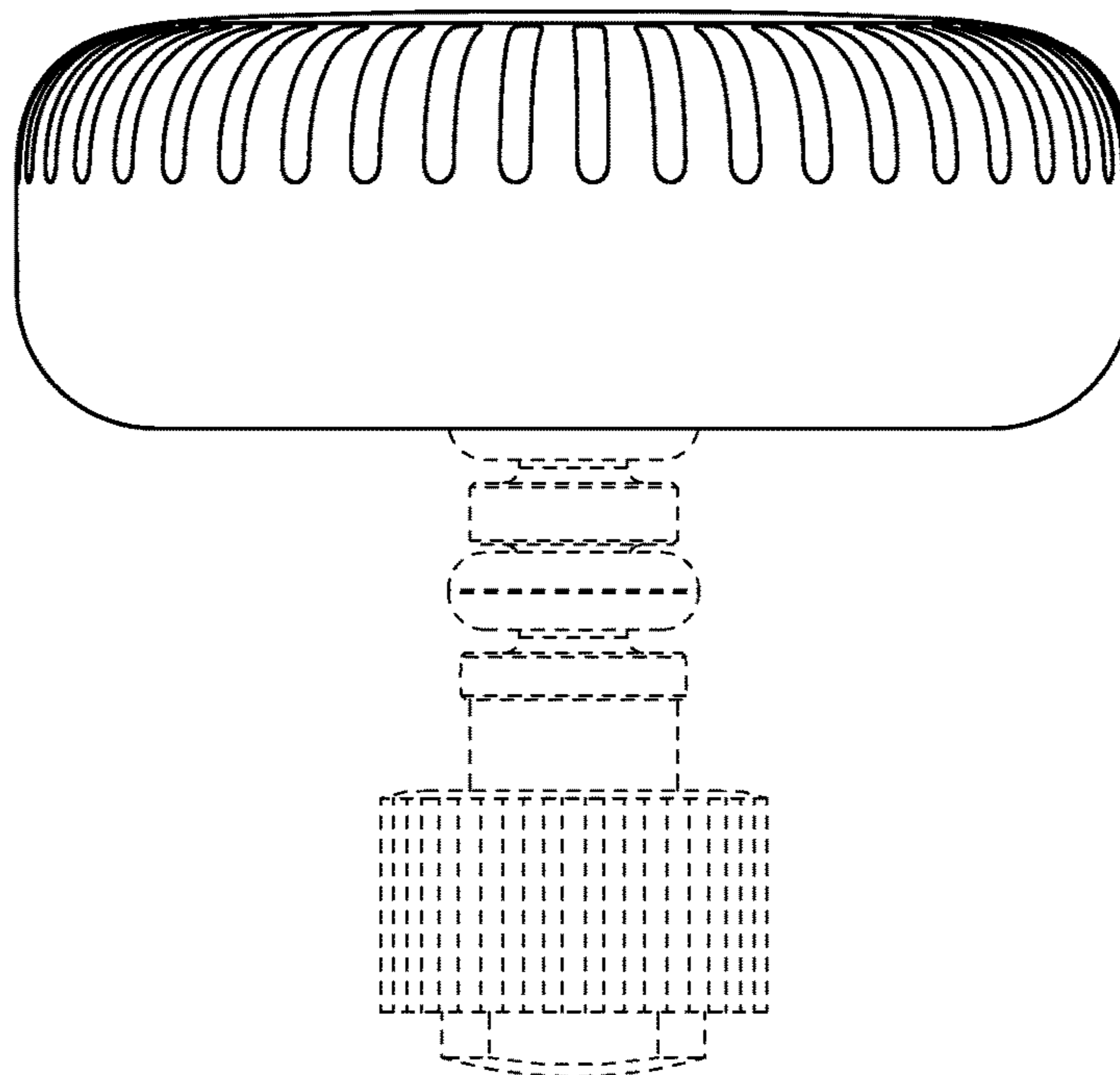


FIG. 6



**FIG. 7**



**FIG. 8**