



US00D813235S

(12) **United States Design Patent**
Rosenberg et al.

(10) **Patent No.:** **US D813,235 S**
(45) **Date of Patent:** **** Mar. 20, 2018**

(54) **TOUCH SENSOR TYPEWRITER KEYBOARD**

(56) **References Cited**

(71) Applicant: **Sensel, Inc.**

U.S. PATENT DOCUMENTS

(72) Inventors: **Ilya Daniel Rosenberg**, Mountain View, CA (US); **John Aaron Zarraga**, San Francisco, CA (US); **Brogan Carl Miller**, Davis, CA (US); **Reuben Eric Martinez**, Gilroy, CA (US); **Stephanie Wanti Lim**, Los Altos Hills, CA (US); **Tomer Moscovich**, San Francisco, CA (US)

D604,300 S * 11/2009 Andre D14/392
D616,886 S * 6/2010 Andre D14/392
D695,743 S * 12/2013 Akana D14/434
D735,196 S * 7/2015 Son D14/392
D745,521 S * 12/2015 Jiang D14/392
2009/0002925 A1 * 1/2009 Hung G06F 3/0202

(Continued)

Primary Examiner — Freda S Nunn

(74) *Attorney, Agent, or Firm* — James R. Gourley;
Carstens & Cahoon, LLP

(73) Assignee: **Sensel, Inc.**, Mountain View, CA (US)

(**) Term: **15 Years**

(57) **CLAIM**

(21) Appl. No.: **29/575,548**

The ornamental design for a touch sensor typewriter keyboard, as shown.

(22) Filed: **Aug. 25, 2016**

Related U.S. Application Data

DESCRIPTION

(63) Continuation-in-part of application No. 14/499,090, filed on Sep. 27, 2014, now Pat. No. 9,459,746, which is a continuation-in-part of application No. 14/314,662, filed on Jun. 25, 2014, now Pat. No. 9,001,082.

FIG. 1 is a front view of a touch sensor typewriter keyboard showing my new design;
FIG. 2 is a rear view thereof;
FIG. 3 is a right view thereof;
FIG. 4 is a left view thereof;
FIG. 5 is a top view thereof;
FIG. 6 is a bottom view thereof;
FIG. 7 is a front perspective view thereof;
FIG. 8 is another front perspective view thereof;
FIG. 9 is a top right front perspective view thereof;
FIG. 10 is a top right rear perspective view thereof;
FIG. 11 is a top left rear perspective view thereof;
FIG. 12 is a top left front perspective view thereof;
FIG. 13 is a bottom right front perspective view thereof;
FIG. 14 is a bottom right rear perspective view thereof;
FIG. 15 is a bottom left rear perspective view thereof; and,
FIG. 16 is a bottom left front perspective view thereof.

(51) **LOC (11) Cl.** **14-02**

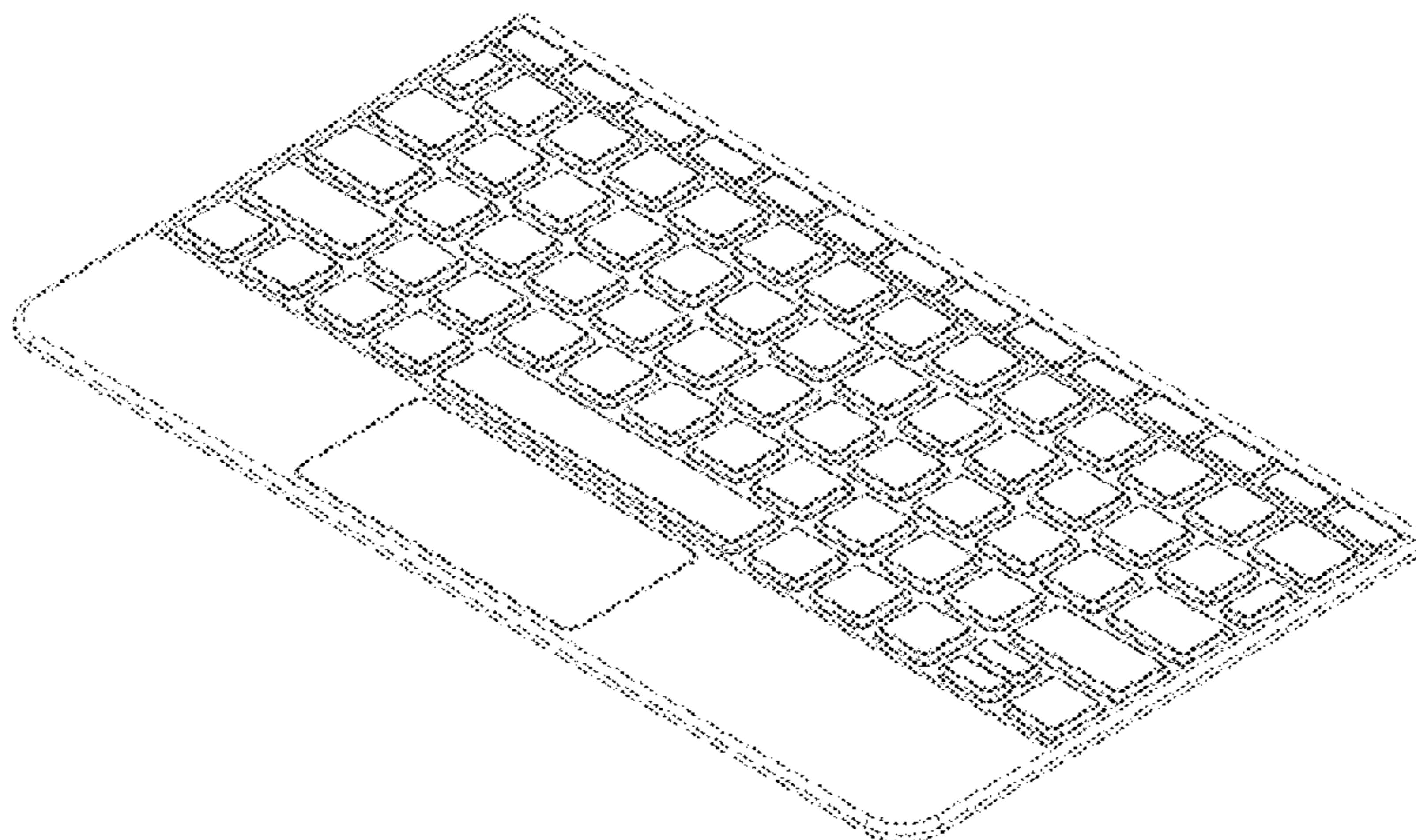
(52) **U.S. Cl.**
USPC **D14/391**

(58) **Field of Classification Search**
USPC D14/315–327, 391–399, 455, 456;
D18/1, 2, 7, 118

CPC G06F 1/16; G06F 1/1616; G06F 1/1626;
G06F 1/1632; G06F 1/1613; G06F
1/1601; G06F 1/1618; G06F 1/162; G06F
3/0221; G06F 3/0216; H01R 35/02;
H03M 11/00; G09B 13/04; H03K 17/94;
G09G 5/00; F16M 11/10; H05K 5/00;
H04M 1/0237; H01H 13/14; H01H 13/84;
B41J 5/00; B41J 5/12; B41J 5/10

See application file for complete search history.

1 Claim, 16 Drawing Sheets



(56)

References Cited

U.S. PATENT DOCUMENTS

2011/0051343	A1*	3/2011	Lee	G06F 3/0202
				361/679.08
2012/0099264	A1*	4/2012	Degner	G06F 1/1616
				361/679.09

* cited by examiner

FIG. 1

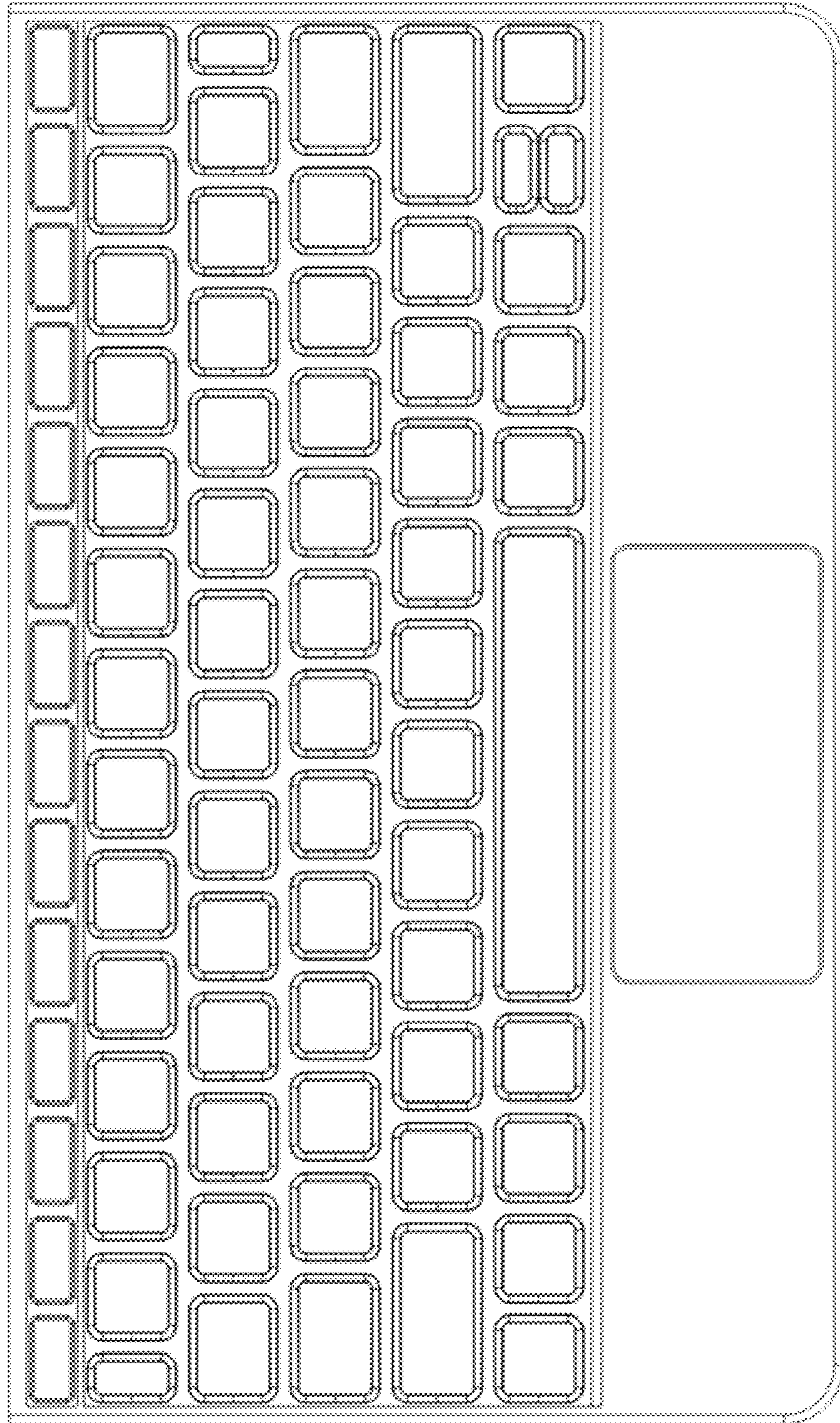


FIG. 2

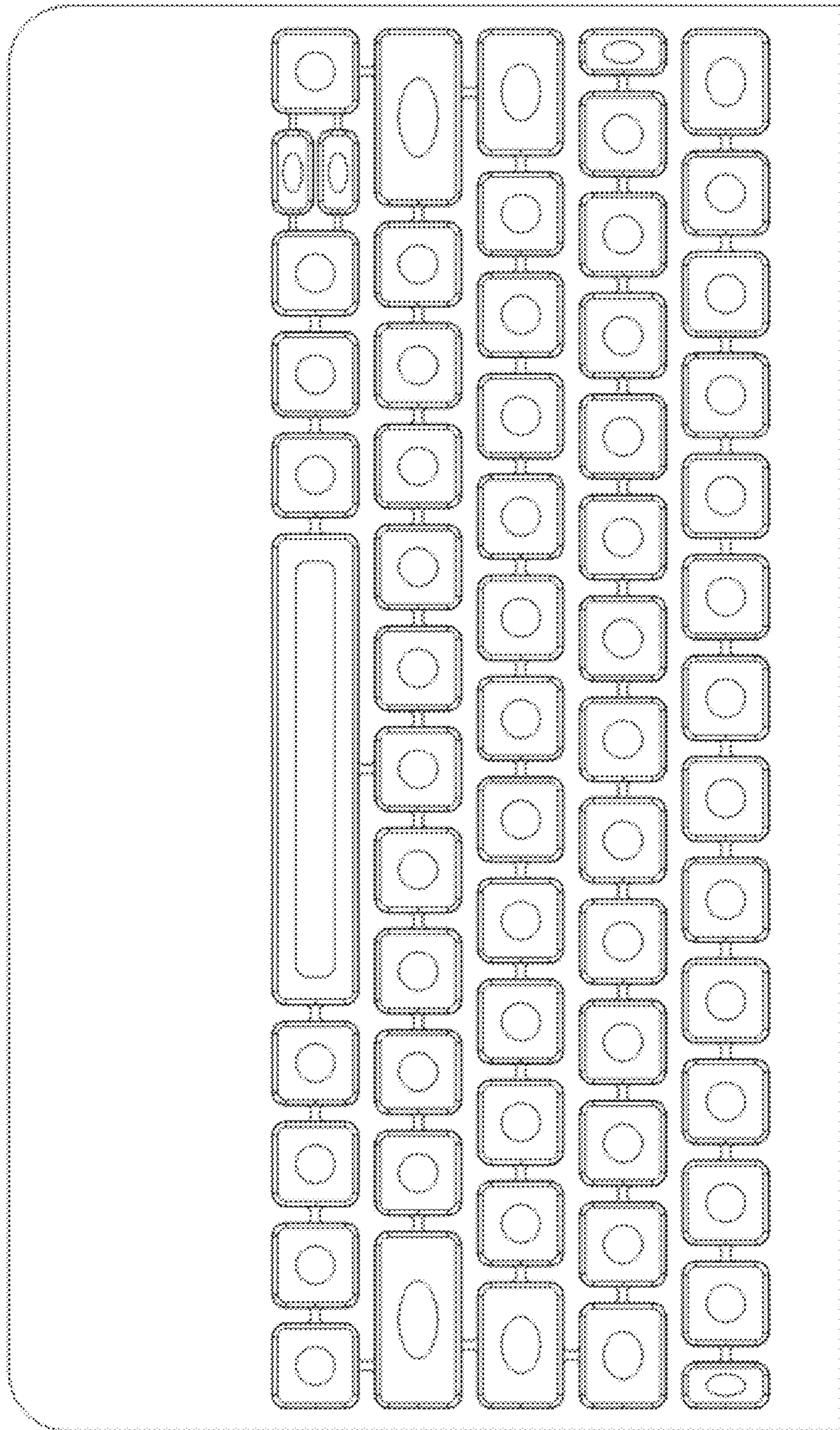


FIG. 3

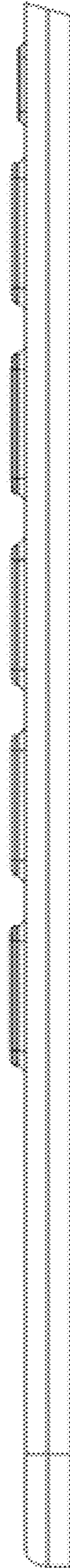


FIG. 4

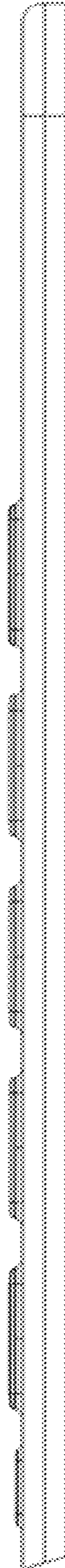


FIG. 5

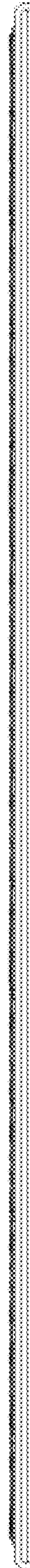


FIG. 6

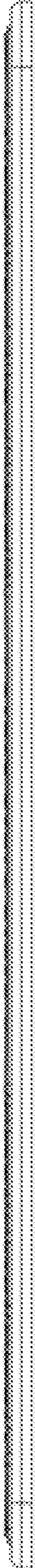


FIG. 7

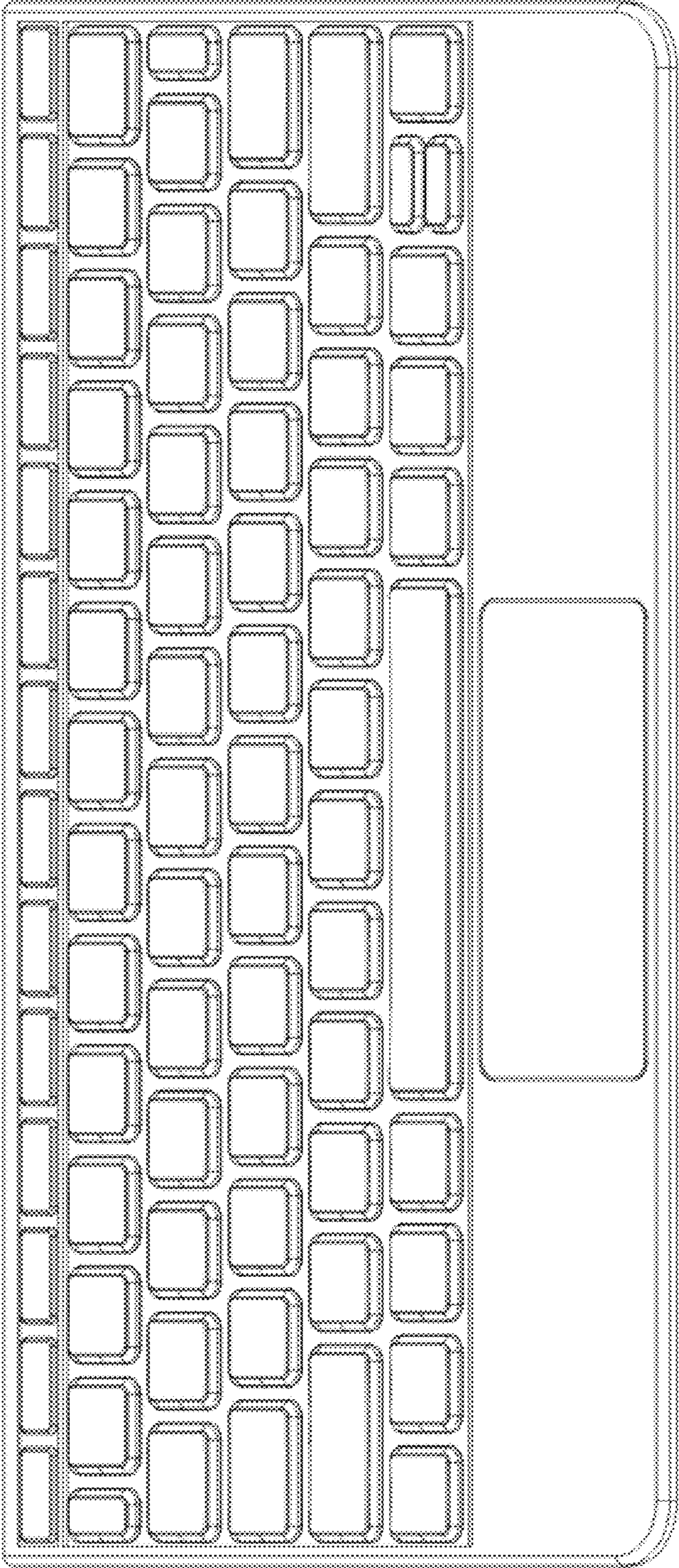


FIG. 8

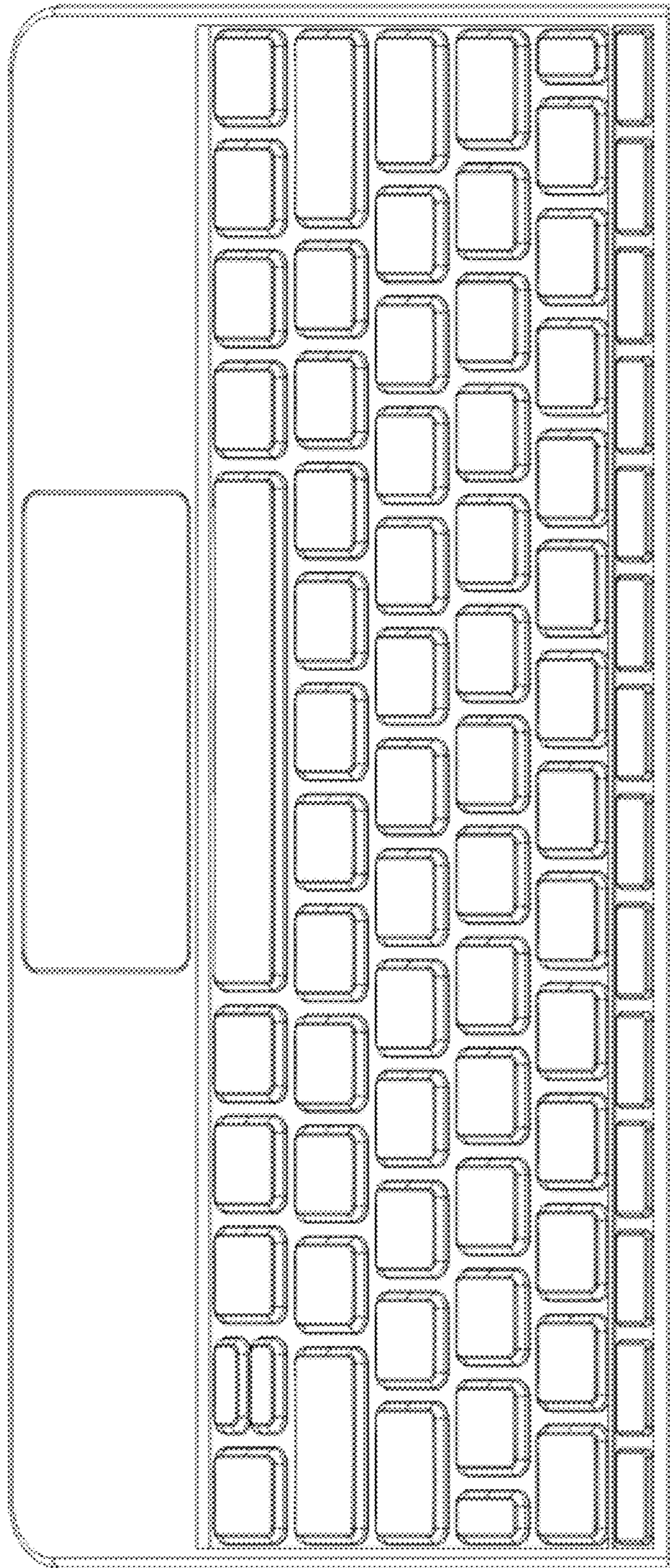
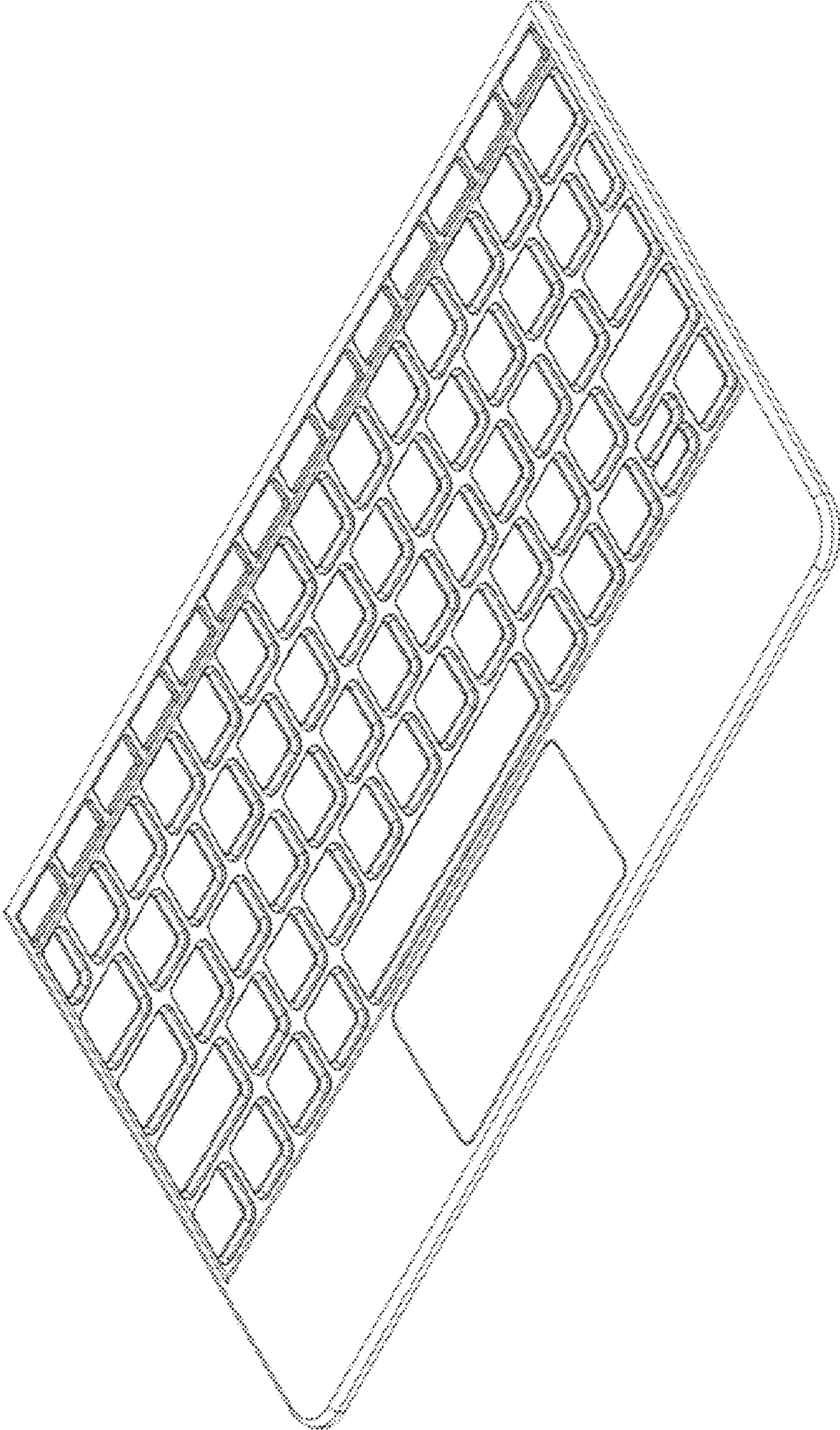


FIG. 9



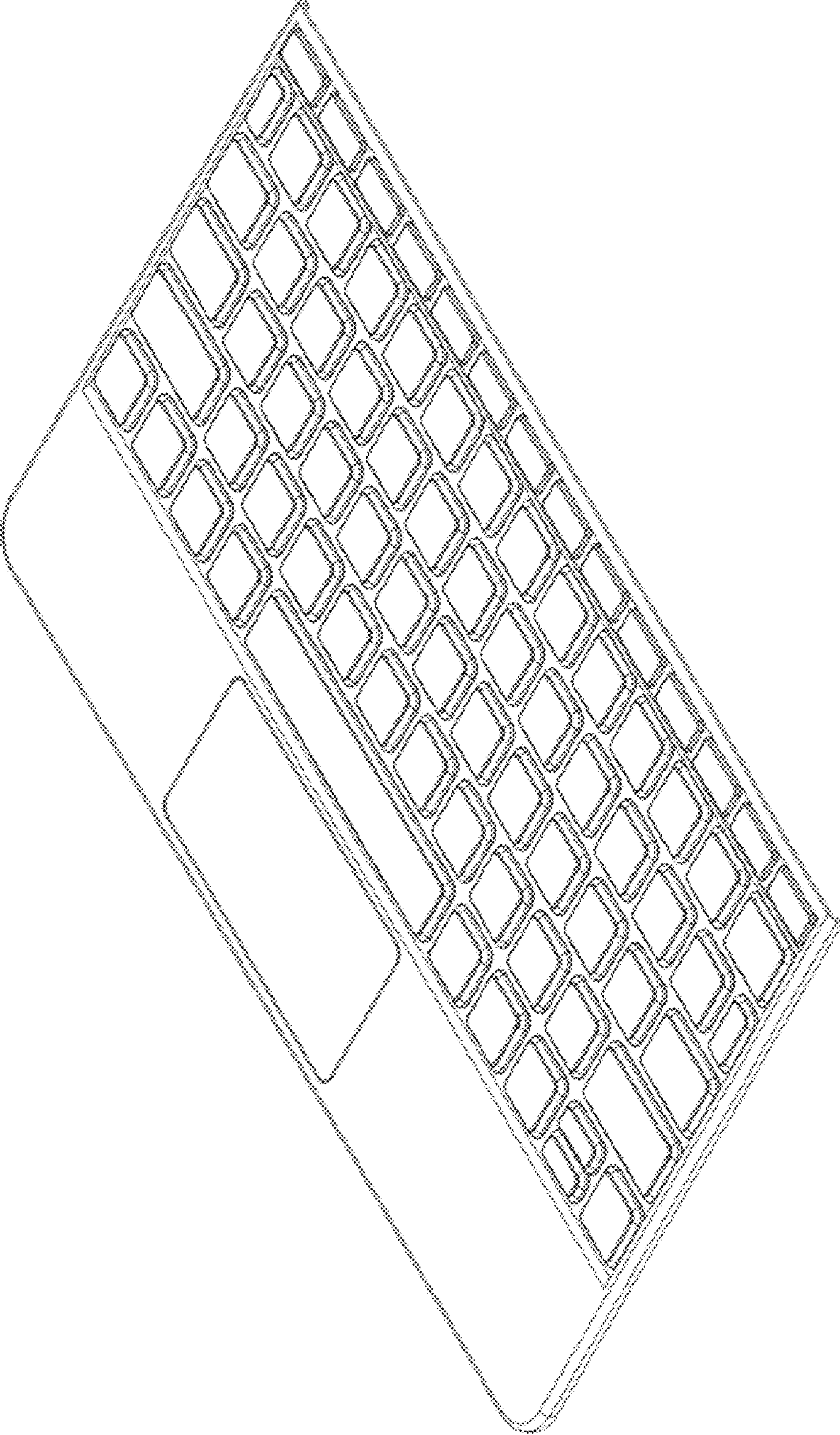


FIG. 10

FIG. 11

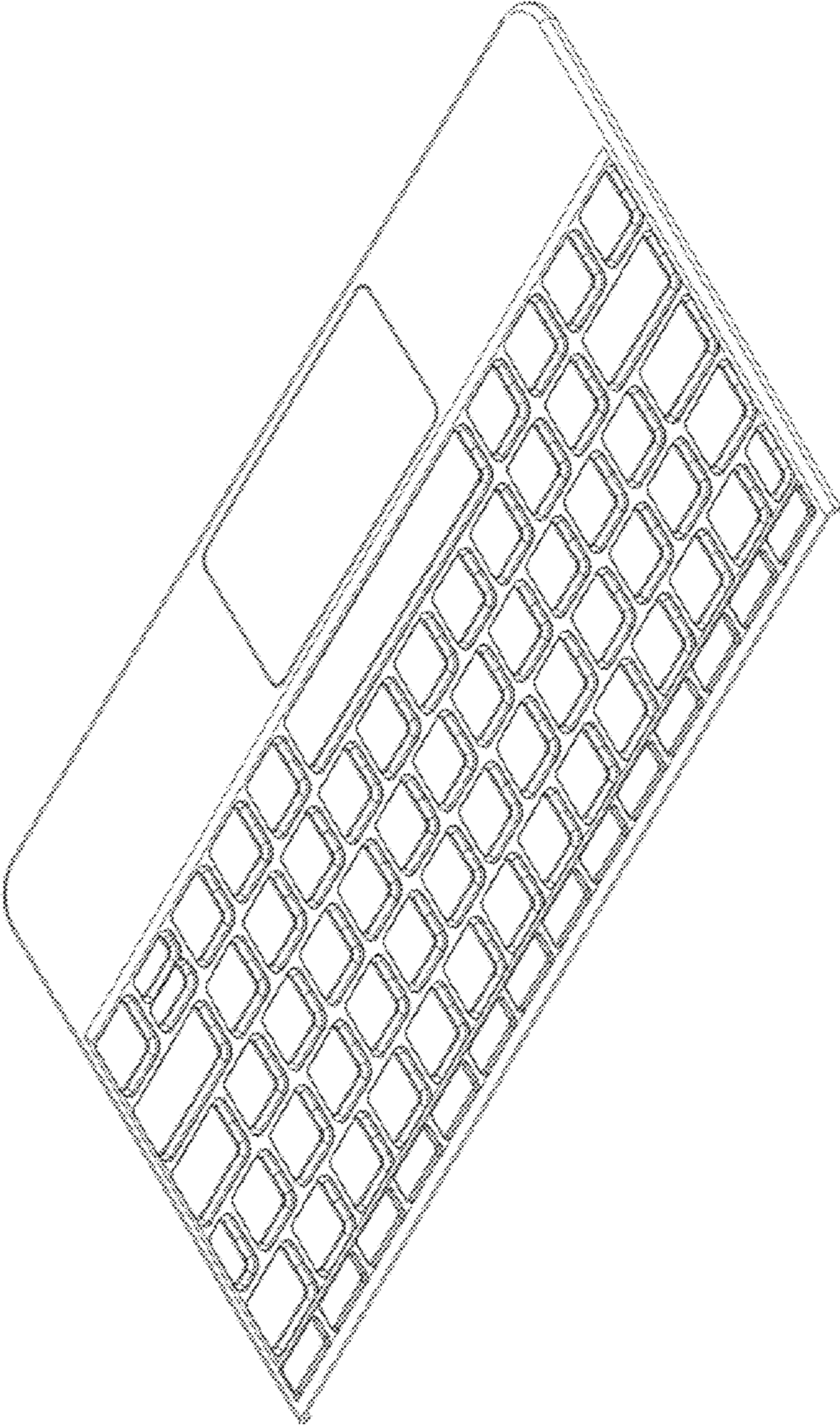


FIG. 12

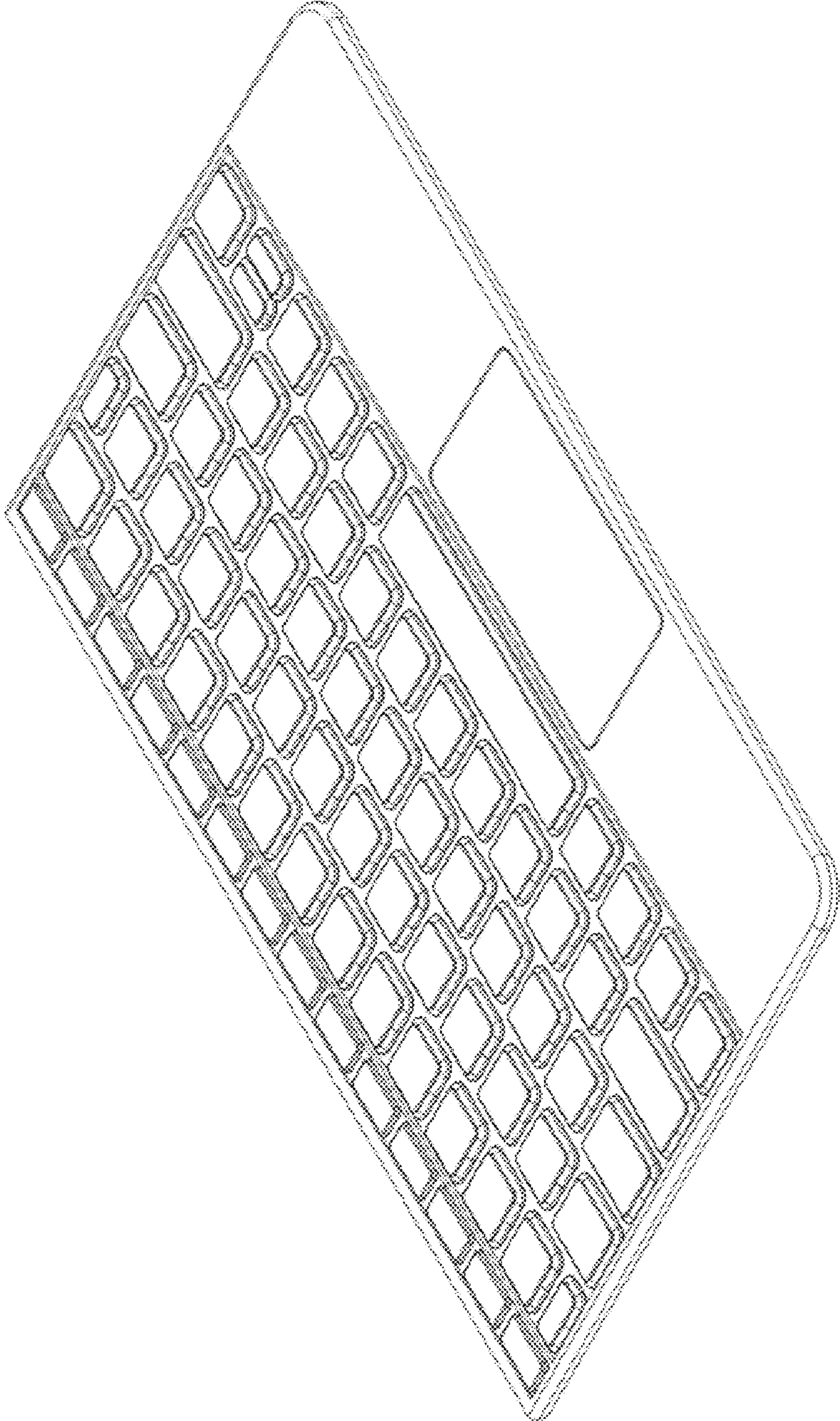


FIG. 13

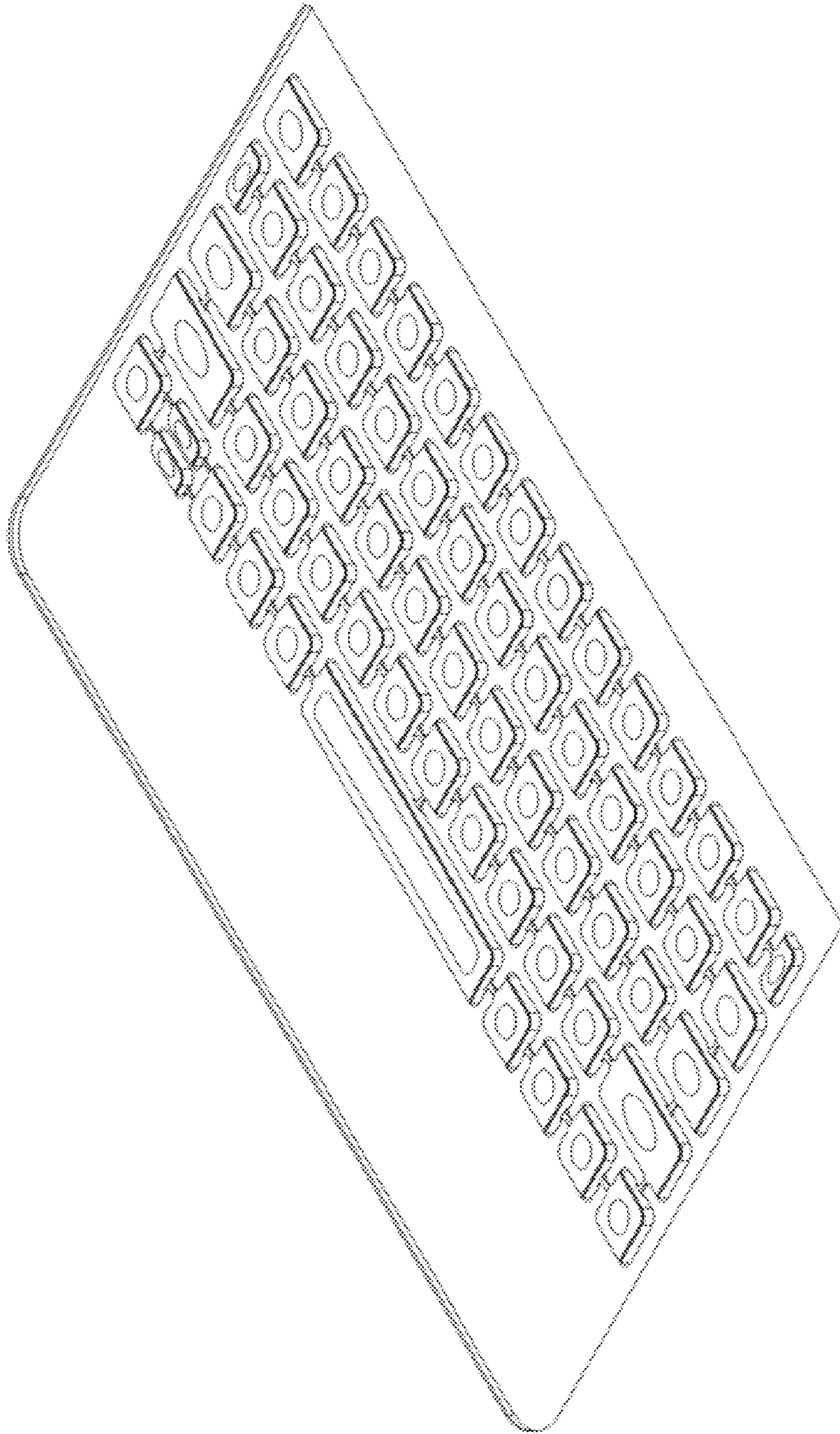
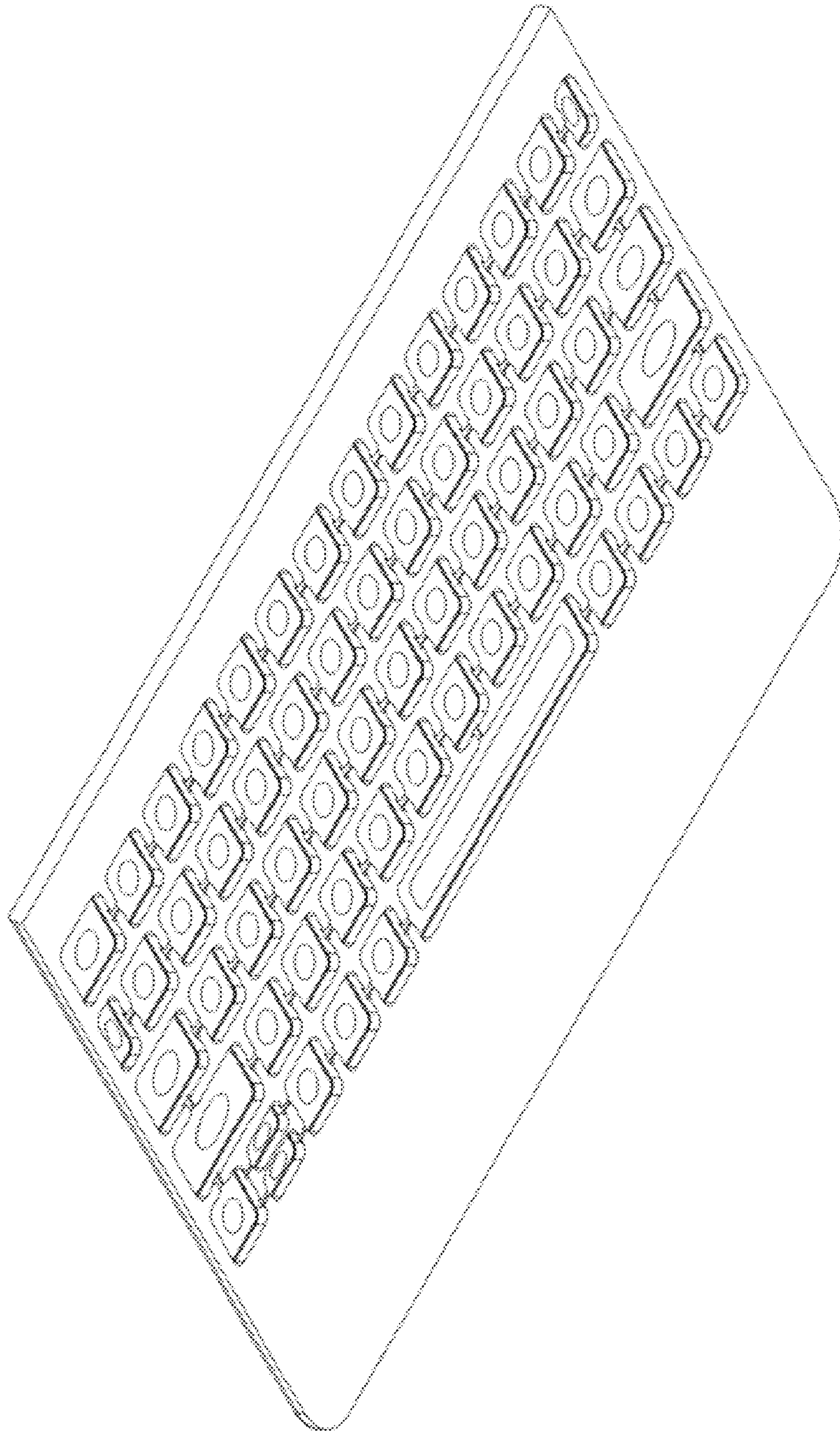


FIG. 14



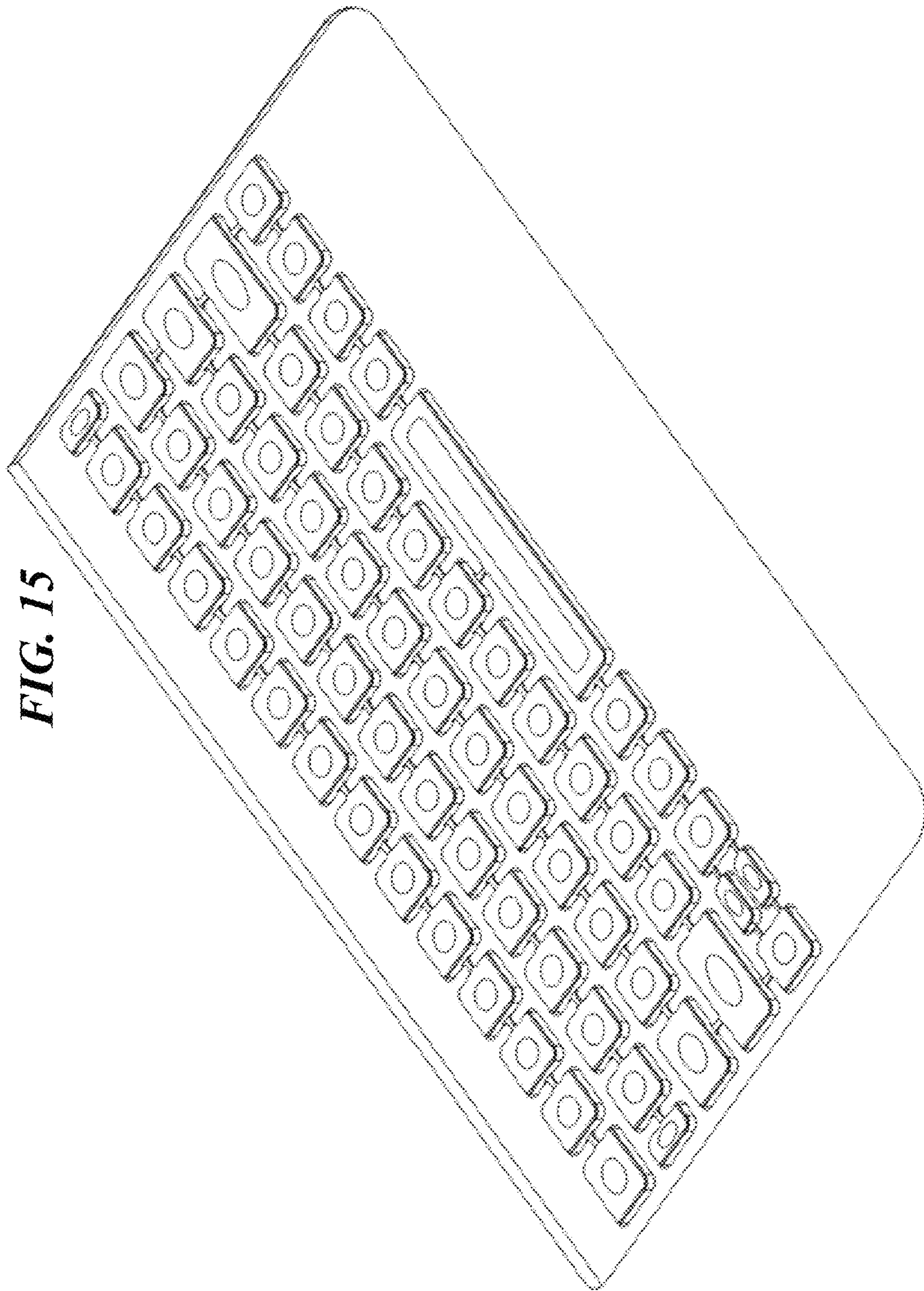


FIG. 15

FIG. 16

