



US00D813234S

(12) **United States Design Patent**
Nadler

(10) **Patent No.:** **US D813,234 S**
(45) **Date of Patent:** **** Mar. 20, 2018**

- (54) **VIRTUAL REALITY REMOTE CONTROLLER**
- (71) Applicant: **Hashplay, Inc.**, San Francisco, CA (US)
- (72) Inventor: **Ingo Nadler**, Bad Breisig (DE)
- (73) Assignee: **Hashplay, Inc.**, San Francisco, CA (US)
- (**) Term: **15 Years**
- (21) Appl. No.: **29/544,525**
- (22) Filed: **Nov. 4, 2015**
- (51) **LOC (11) Cl.** **14-02**
- (52) **U.S. Cl.**
USPC **D14/388**; D14/435.1
- (58) **Field of Classification Search**
USPC D14/356–358, 388, 389, 400, 402, 405, D14/408, 411, 432, 454, 460, 496, 217, D14/218, 299, 433, 435.1, 480.1–480.7, D14/484.1; D21/324–333, 517, 512; D13/123, 162, 162.1, 168, 171–174, 133; D24/184–186
CPC G06F 21/31; G06F 21/78; H04N 5/232; H04N 5/4403; H04N 21/4221; H04N 21/42204; H04N 21/42222; H04N 21/42224; H04N 21/42228; H04N 21/4415; H01H 9/0235; G06K 19/07732
See application file for complete search history.

(56) **References Cited**

U.S. PATENT DOCUMENTS

- D269,088 S * 5/1983 Genaro D13/184
- D311,067 S * 10/1990 Chabria D26/46
- D317,310 S * 6/1991 Schwartz D13/168
- D356,440 S * 3/1995 Stillwagon D3/208
- D422,976 S * 4/2000 Su D14/385

- D449,615 S * 10/2001 Lloyd D14/435.1
- D463,426 S * 9/2002 Cheng D14/480.1
- D538,280 S * 3/2007 Sugita D14/480.5
- D541,796 S * 5/2007 Chen D14/480.7
- D562,273 S * 2/2008 Koyama D13/184
- D563,430 S * 3/2008 Deguchi D14/480.1
- D567,791 S * 4/2008 Chung D14/138 AD
- D576,619 S * 9/2008 Udagawa D14/435.1
- D599,795 S * 9/2009 Lindley D14/240
- D601,152 S * 9/2009 Moshes D14/480.7
- D602,941 S * 10/2009 Lo D14/480.7
- D606,077 S * 12/2009 Hu D14/480.1
- D610,156 S * 2/2010 Mudrick D14/480.5
- D610,588 S * 2/2010 Chen D14/480.7
- D620,018 S * 7/2010 Nan D14/480.7
- D642,585 S * 8/2011 Lan D14/480.5
- D658,635 S * 5/2012 Hou D14/218
- D682,841 S * 5/2013 Suetake D14/480.1
- D692,427 S * 10/2013 Janson D14/388
- D693,805 S * 11/2013 Sip D14/358

(Continued)

Primary Examiner — Susan Bennett Hattan

Assistant Examiner — Marie D. Fast Horse

(74) *Attorney, Agent, or Firm* — Ziegler IP Law Group, LLC

(57) **CLAIM**

The ornamental design of a virtual reality remote controller, as shown and described.

DESCRIPTION

FIG. 1 is a top, right side perspective view of a virtual reality remote controller showing the new design.

FIG. 2 is a top view thereof;

FIG. 3 is a bottom view thereof;

FIG. 4 is a right side view thereof;

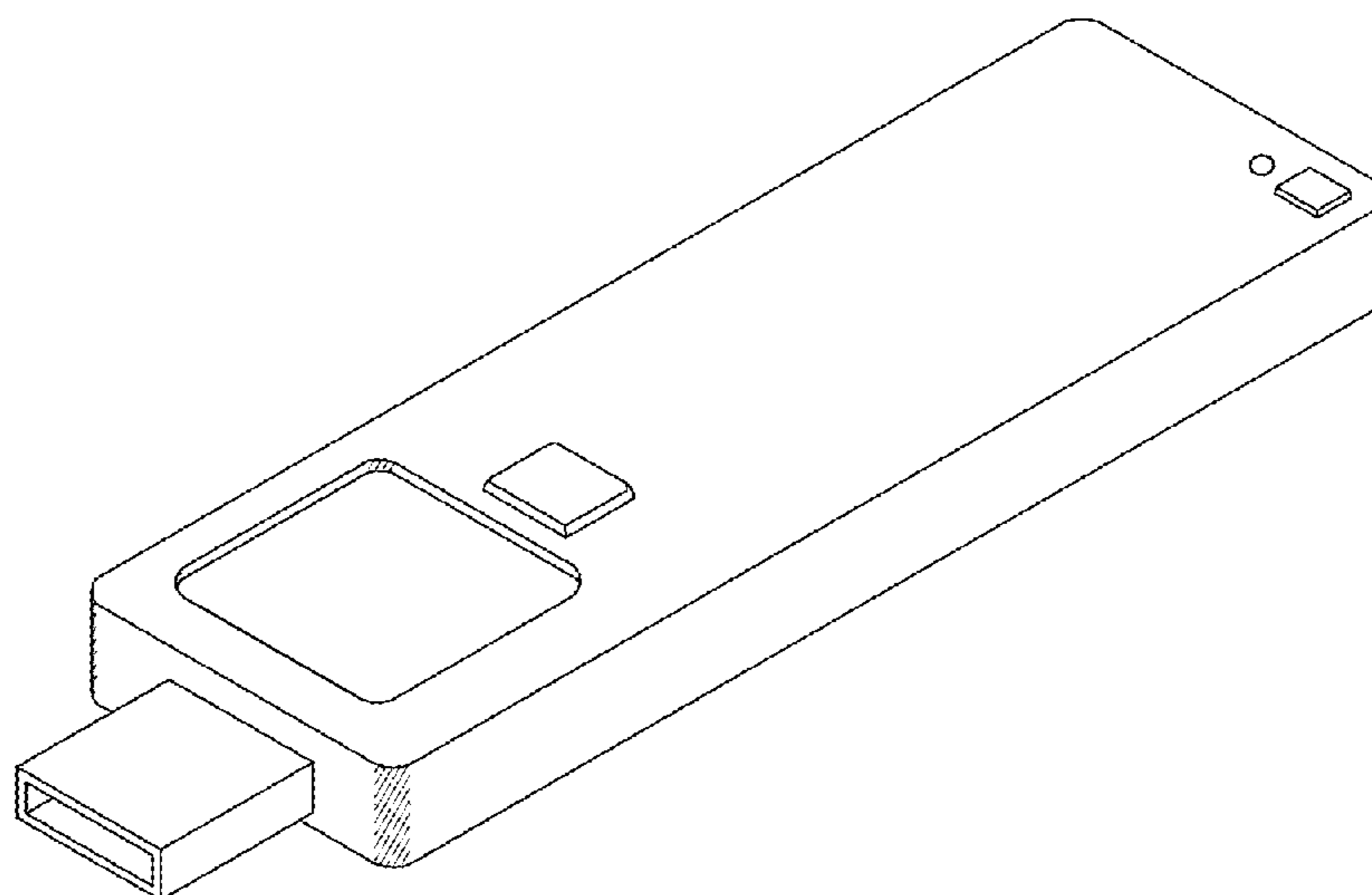
FIG. 5 is a left side view thereof;

FIG. 6 is a front view thereof; and,

FIG. 7 is a rear view thereof.

The drawings include shade lines that show contour and not surface indicia.

1 Claim, 2 Drawing Sheets



(56)

References Cited

U.S. PATENT DOCUMENTS

D716,804 S * 11/2014 Neumann D14/356
D737,201 S * 8/2015 Liu D13/108
D741,865 S * 10/2015 Sundermeyer D14/433
D745,523 S * 12/2015 Magi D14/433
D759,031 S * 6/2016 Ozolins D14/480.5
D764,479 S * 8/2016 Kim D14/480.1
D768,140 S * 10/2016 Daniel D14/480.1
2003/0227451 A1 * 12/2003 Chang G09G 3/00
345/211
2005/0210168 A1 * 9/2005 Chen G06F 13/4068
710/62
2007/0112981 A1 * 5/2007 Hernandez G06F 21/31
710/62
2007/0181697 A1 * 8/2007 Chen G06K 19/07
235/492
2009/0316368 A1 * 12/2009 Hiew G06F 1/1632
361/737
2010/0033307 A1 * 2/2010 Narendra G06K 19/0701
340/10.1
2010/0117965 A1 * 5/2010 Simonian G06F 1/169
345/164
2010/0302190 A1 * 12/2010 Yeh G06F 1/1626
345/173

* cited by examiner

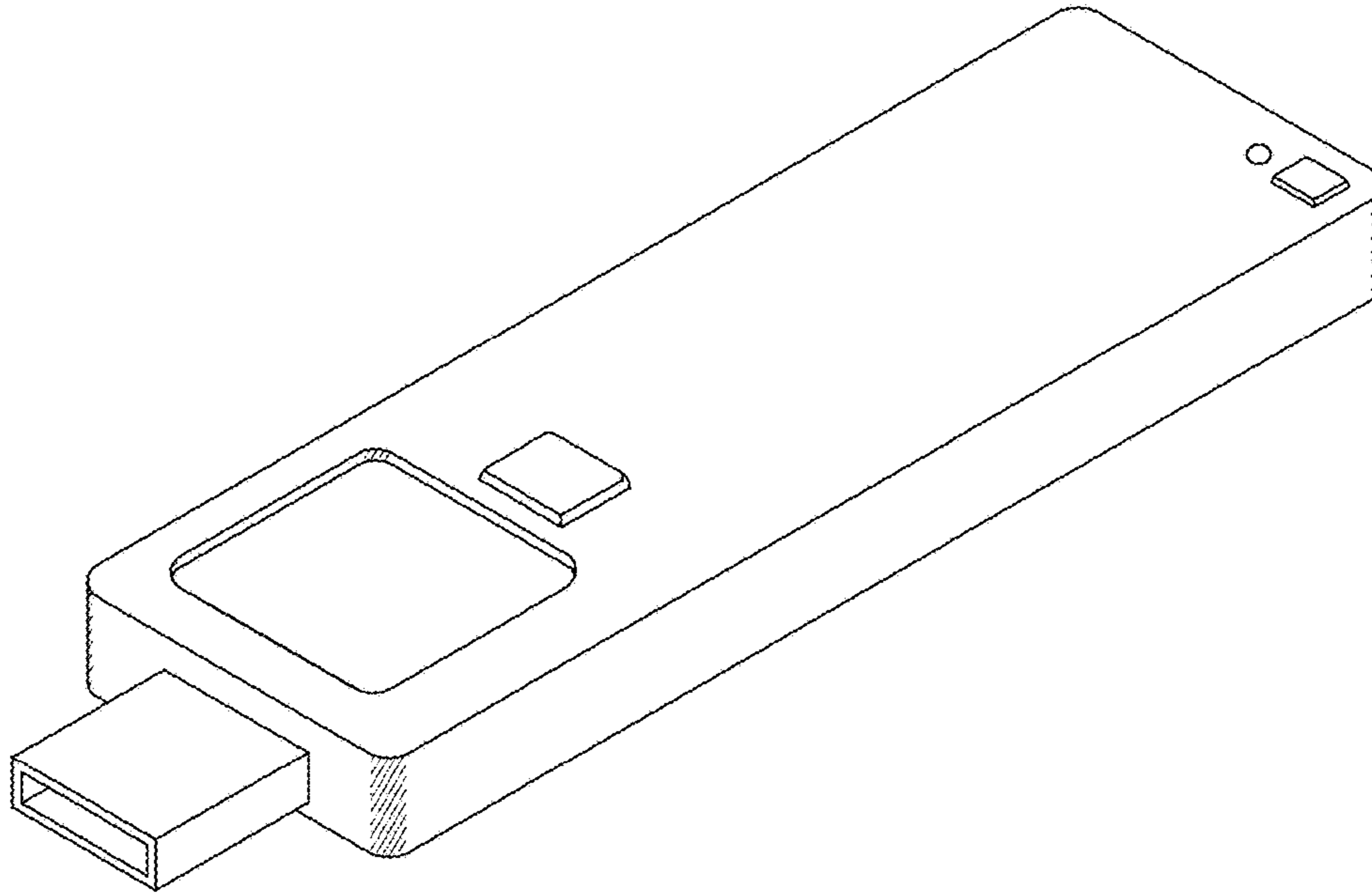


FIG. 1

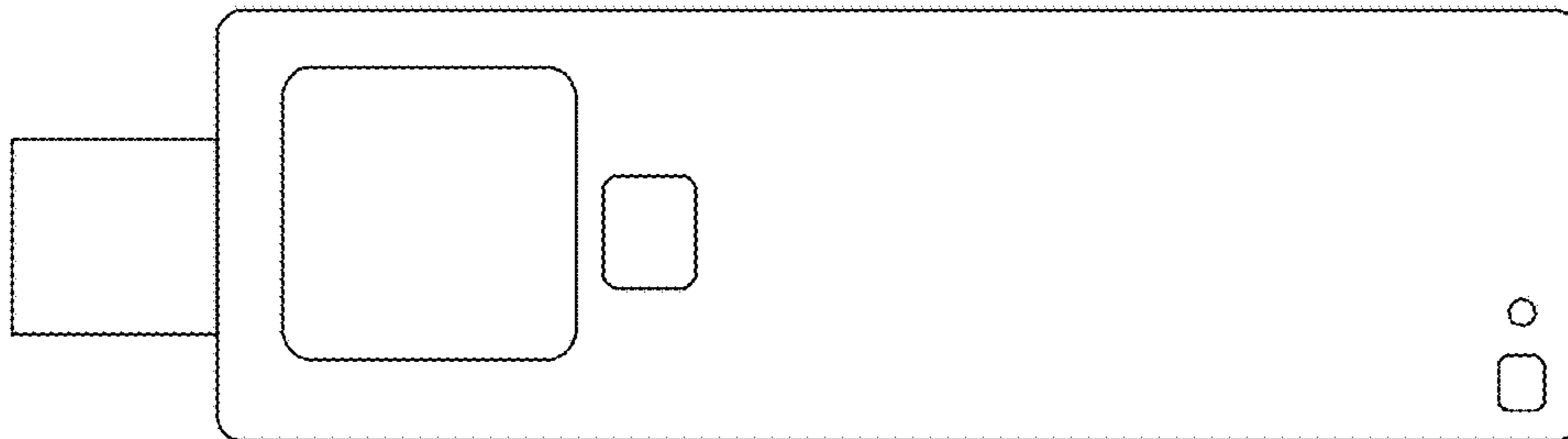


FIG. 2



FIG. 3

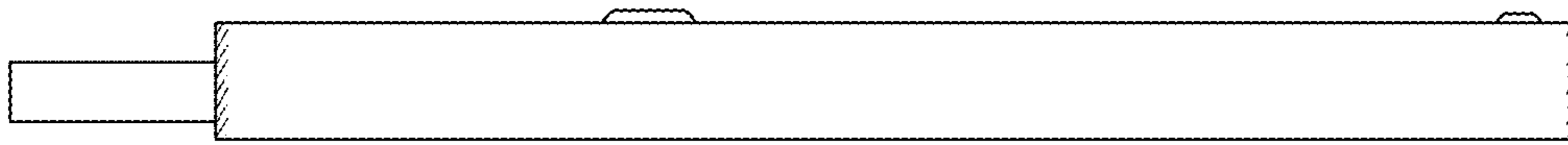


FIG. 4



FIG. 5

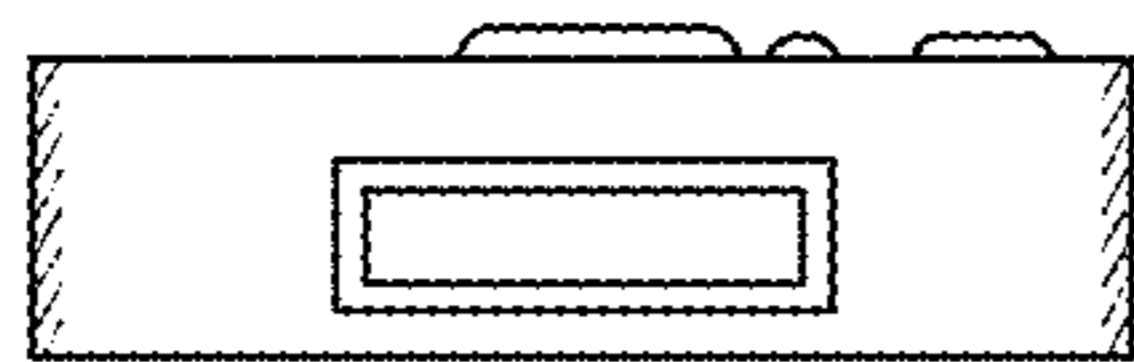


FIG. 6



FIG. 7