



US00D813233S

(12) **United States Design Patent**
Lee et al.

(10) **Patent No.:** **US D813,233 S**
(45) **Date of Patent:** **** Mar. 20, 2018**

(54) **HEAD MOUNTED DISPLAY**

(71) Applicant: **Mitsubishi Electric Corporation,**
Tokyo (JP)

(72) Inventors: **Hongkue Lee,** Tokyo (JP); **Ian Emerson Random,** Tokyo (JP); **Jun Kondo,** Tokyo (JP)

(73) Assignee: **Mitsubishi Electric Corporation,**
Tokyo (JP)

(**) Term: **15 Years**

(21) Appl. No.: **29/589,534**

(22) Filed: **Jan. 3, 2017**

(30) **Foreign Application Priority Data**

Jul. 6, 2016 (JP) 2016-014373

(51) **LOC (11) Cl.** **14-02**

(52) **U.S. Cl.**
USPC **D14/372**

(58) **Field of Classification Search**
USPC D14/372, 496, 432, 371, 125, 126, 129,
D14/299; D16/300-342; 351/158, 153,
351/144; 345/7-9, 905; 455/344;
348/115, 53, 121, 739
CPC G02B 27/017; G02B 27/0158; G02B
27/0161; G02B 27/0181; G02B 27/0185;
G02B 27/0189

See application file for complete search history.

(56) **References Cited**

U.S. PATENT DOCUMENTS

D727,896 S * 4/2015 Lалуque D14/372
D739,855 S * 9/2015 Bosveld D14/372
D741,327 S * 10/2015 Reznik D14/372
D753,111 S * 4/2016 Fei D14/372
D758,367 S * 6/2016 Natsume D14/372

D771,626 S * 11/2016 Ko D14/372
D776,110 S * 1/2017 Gribetz D14/372
D778,909 S * 2/2017 Nokuo D14/372
D781,289 S * 3/2017 Patel D14/372
D785,619 S * 5/2017 Su D14/372
D791,129 S * 7/2017 Sullivan D14/372
D795,867 S * 8/2017 Huang D14/372
D798,298 S * 9/2017 Haber D14/372
D798,862 S * 10/2017 Wang D14/372
D800,115 S * 10/2017 Li D14/372
D800,117 S * 10/2017 Yee D14/372
D800,726 S * 10/2017 Su D14/372

* cited by examiner

Primary Examiner — Austin Murphy

(74) *Attorney, Agent, or Firm* — Studebaker & Brackett
PC

(57) **CLAIM**

The ornamental design for a head mounted display, as shown and described.

DESCRIPTION

FIG. 1 is a front, top and right side perspective view of a head mounted display, showing our new design;

FIG. 2 is a rear, bottom and left side perspective view thereof;

FIG. 3 is a front view thereof;

FIG. 4 is a rear view thereof;

FIG. 5 is a top view thereof;

FIG. 6 is a bottom view thereof;

FIG. 7 is a right side view thereof;

FIG. 8 is a left side view thereof;

FIG. 9 is a perspective view showing the state raising the screen thereof; and,

FIG. 10 is a right side view showing the state raising the screen thereof.

The broken lines shown in the figures illustrate portions of the head mounted display and form no part of the claimed design.

1 Claim, 10 Drawing Sheets

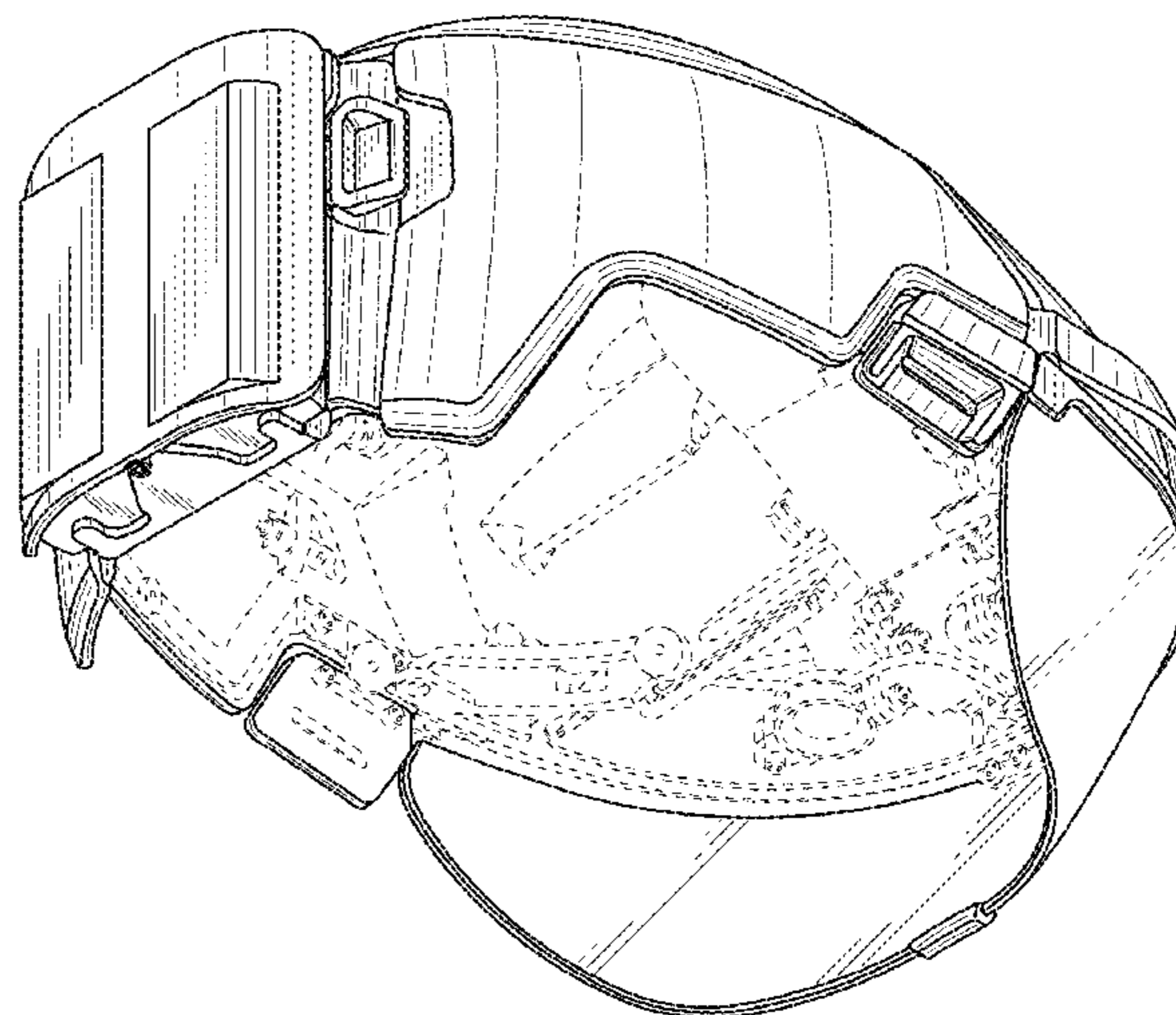
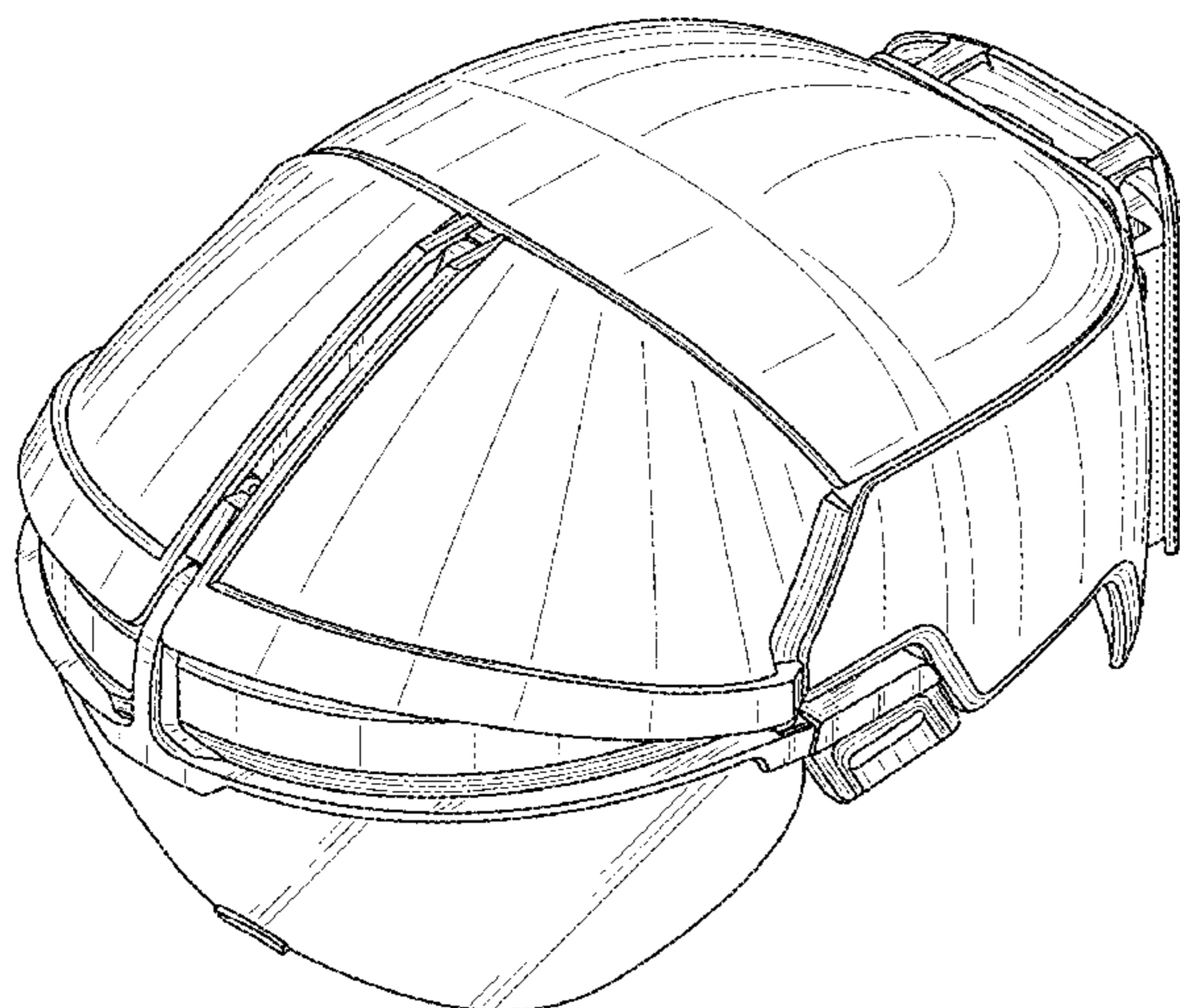


FIG. 1

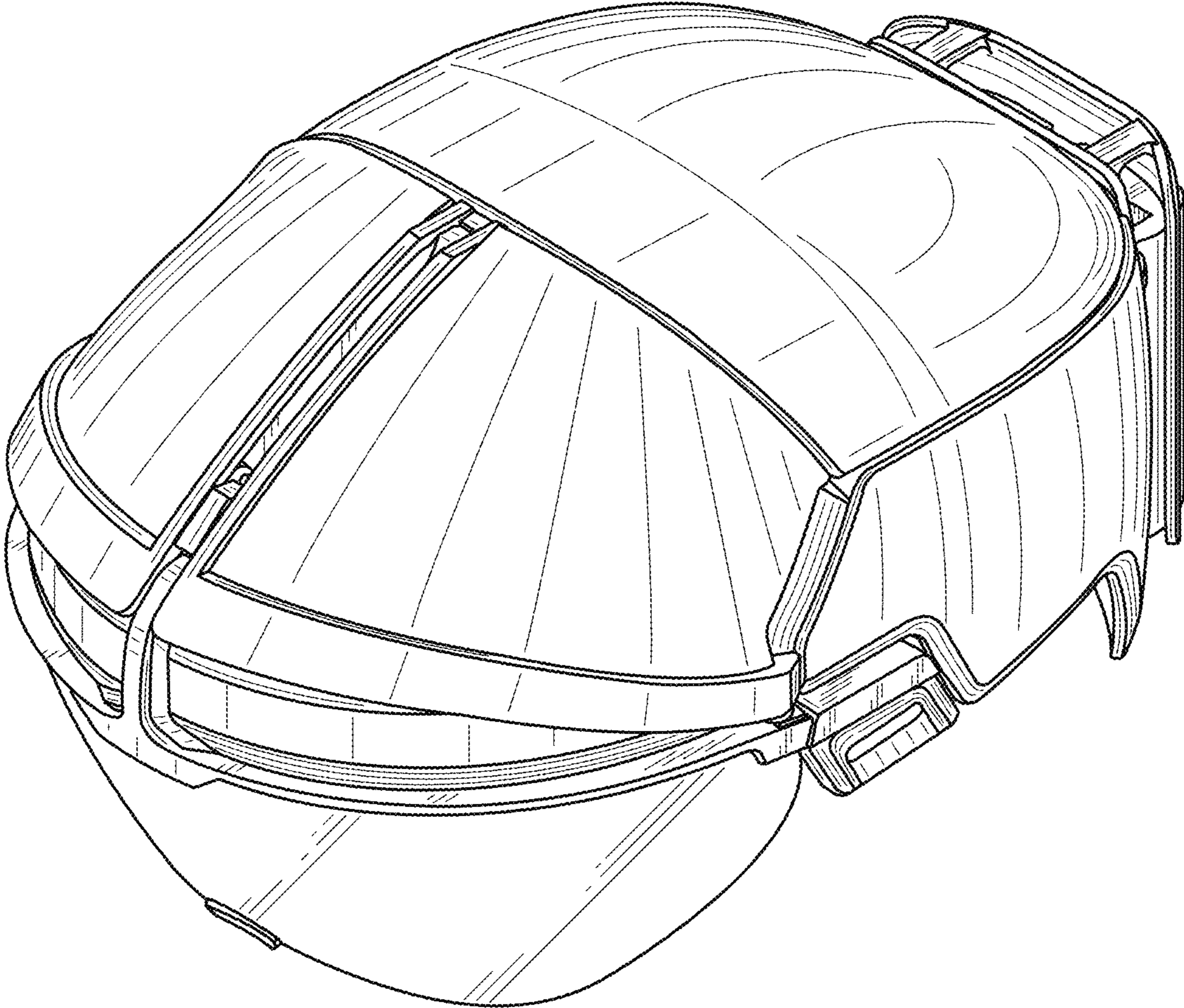


FIG. 2

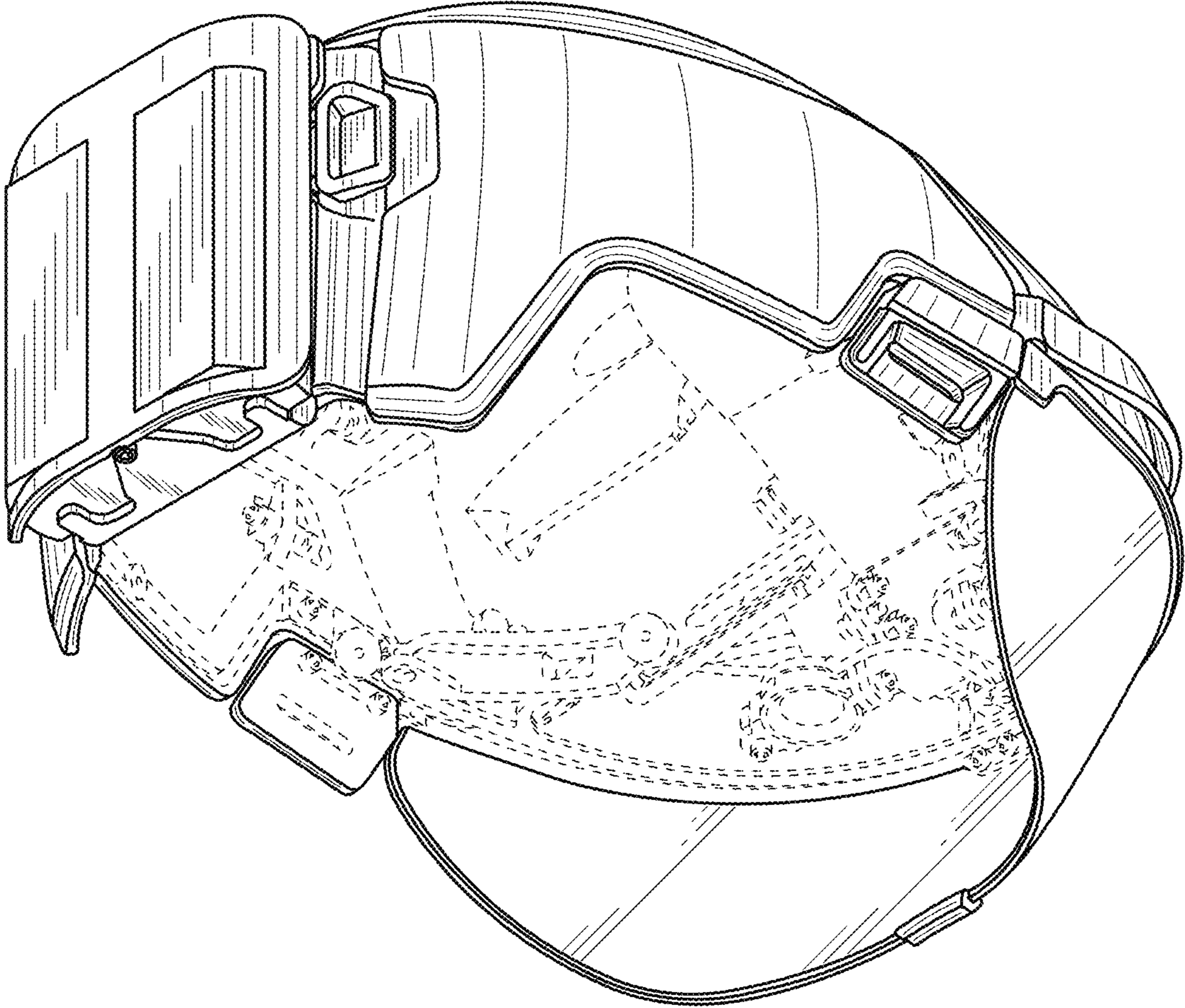


FIG. 3

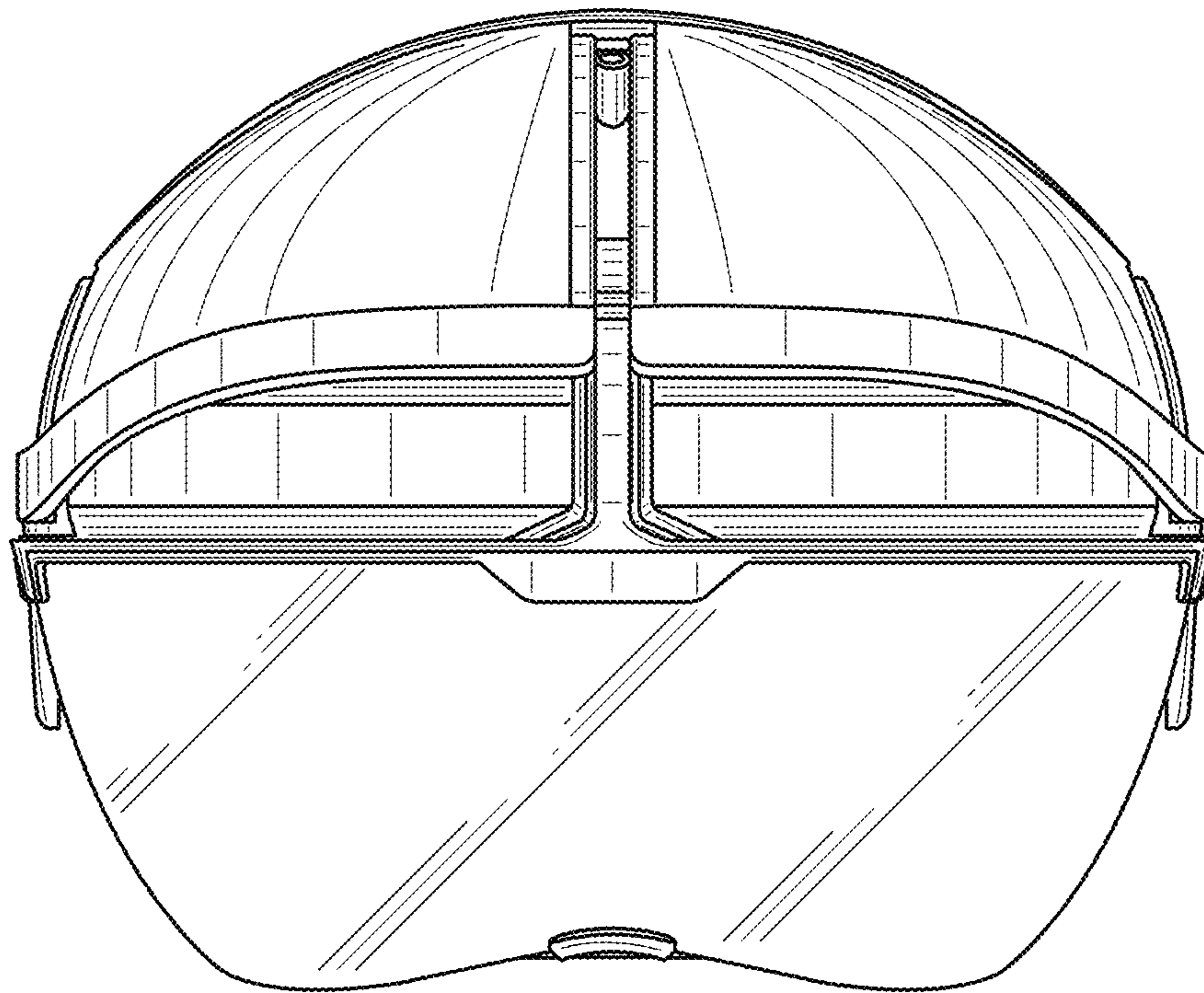


FIG. 4

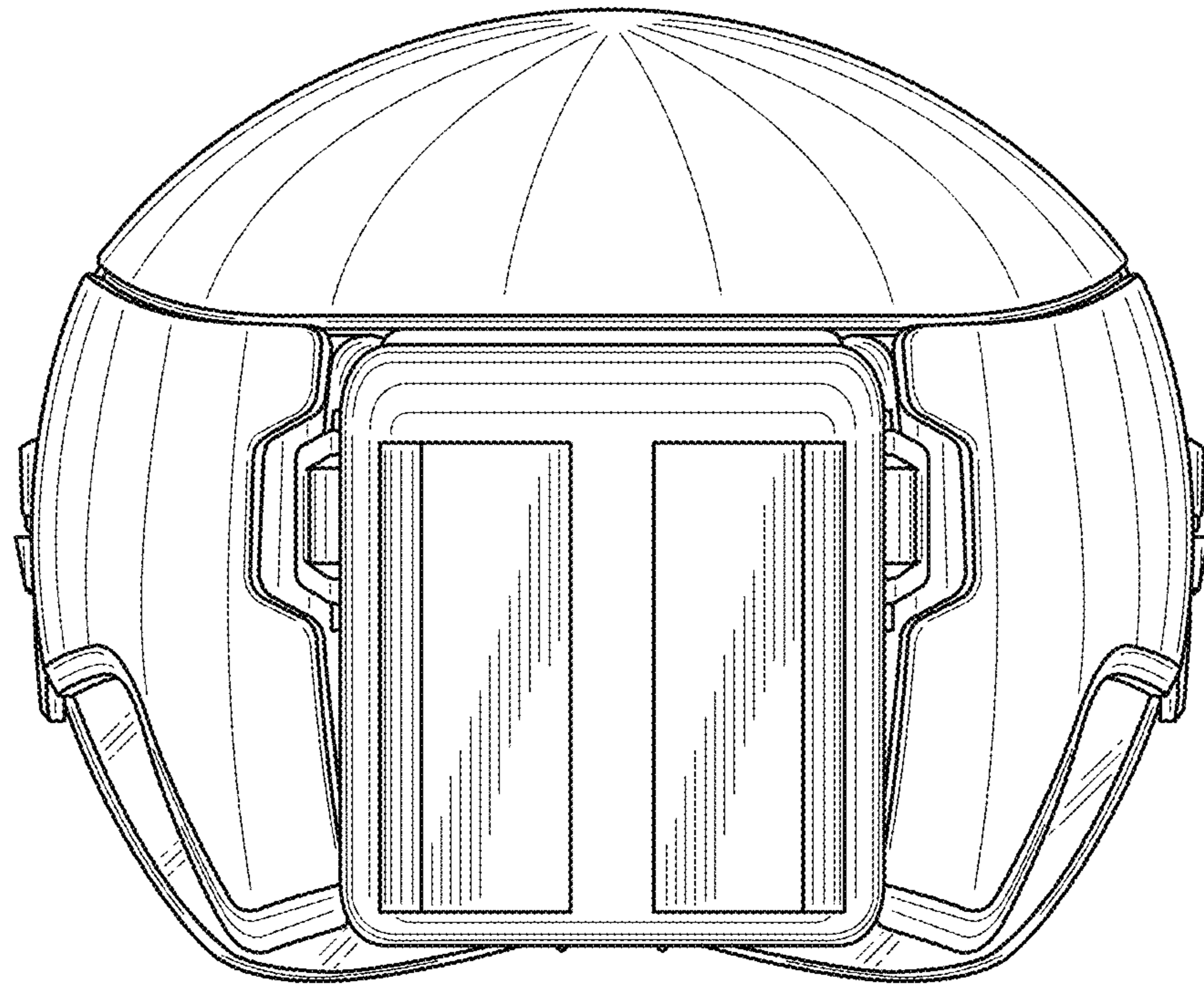


FIG. 5

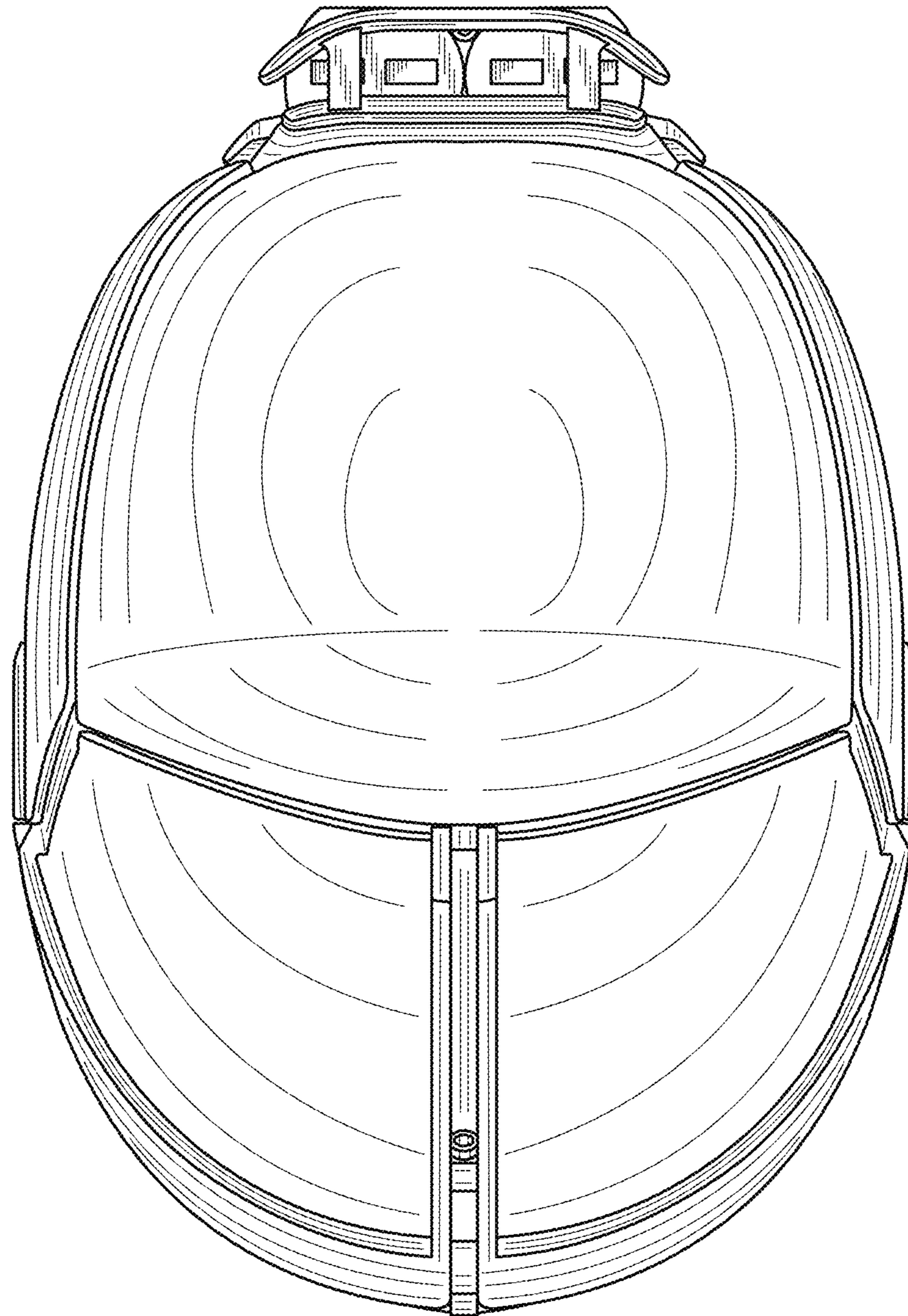


FIG. 6

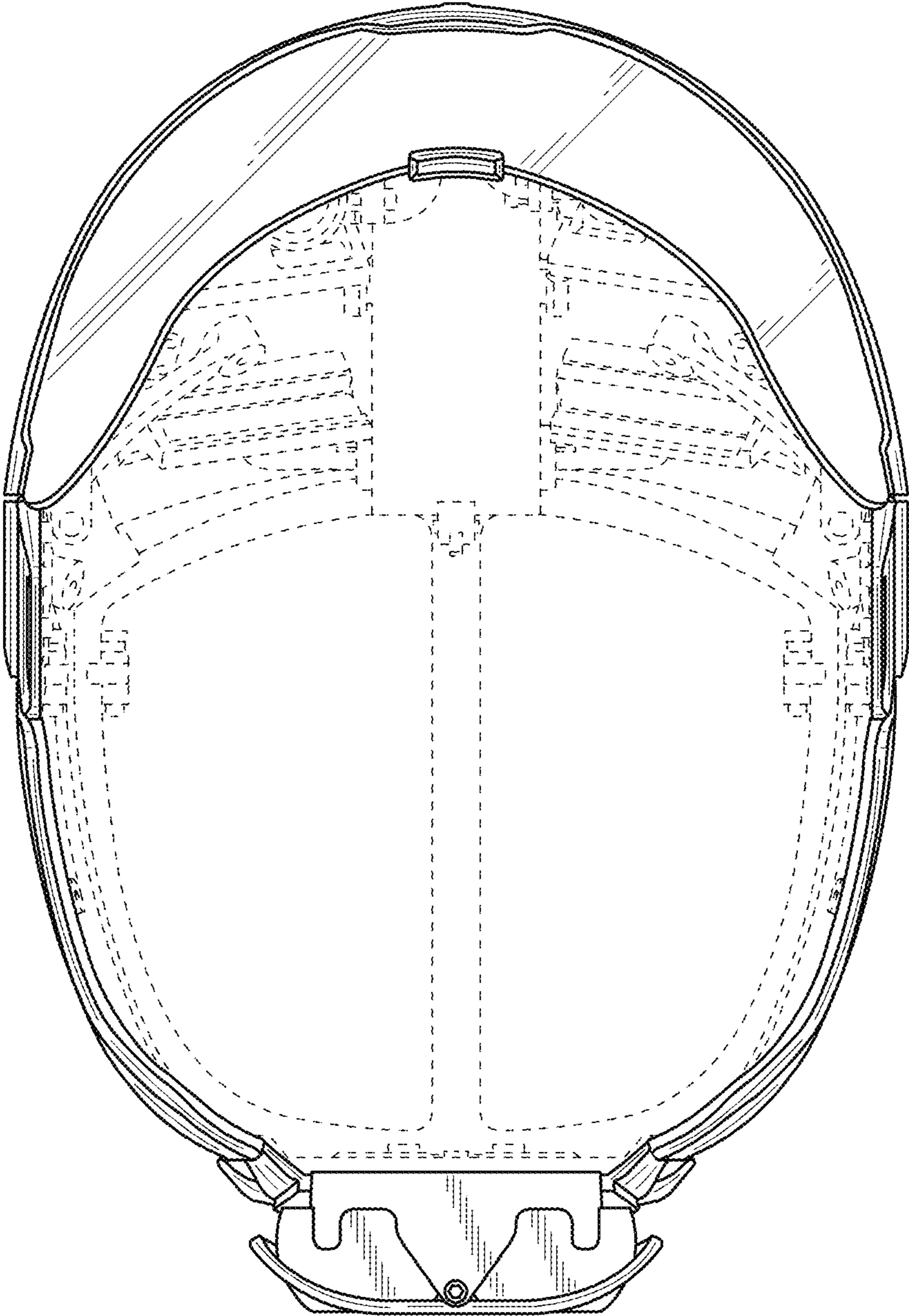


FIG. 7

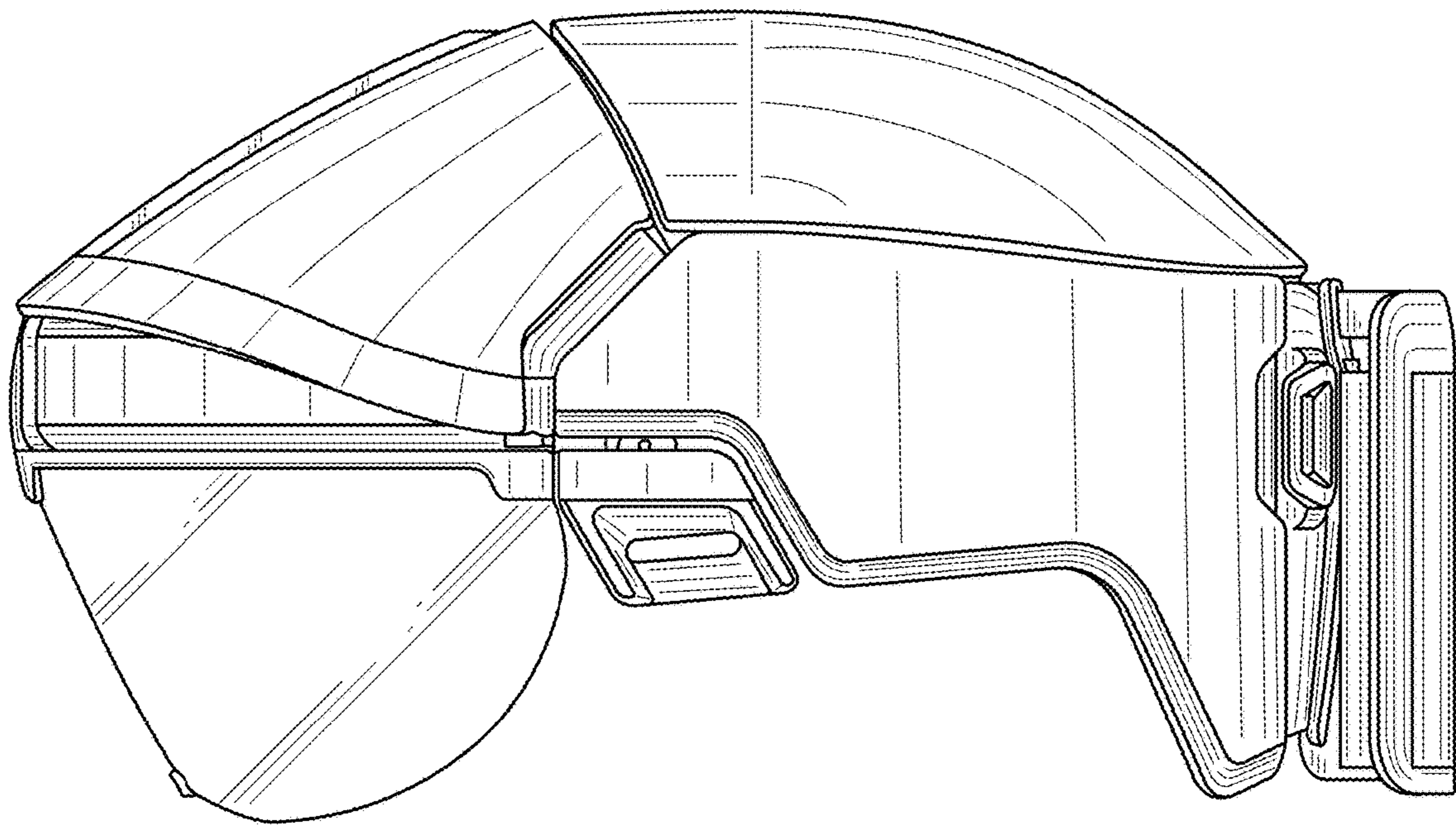


FIG. 8

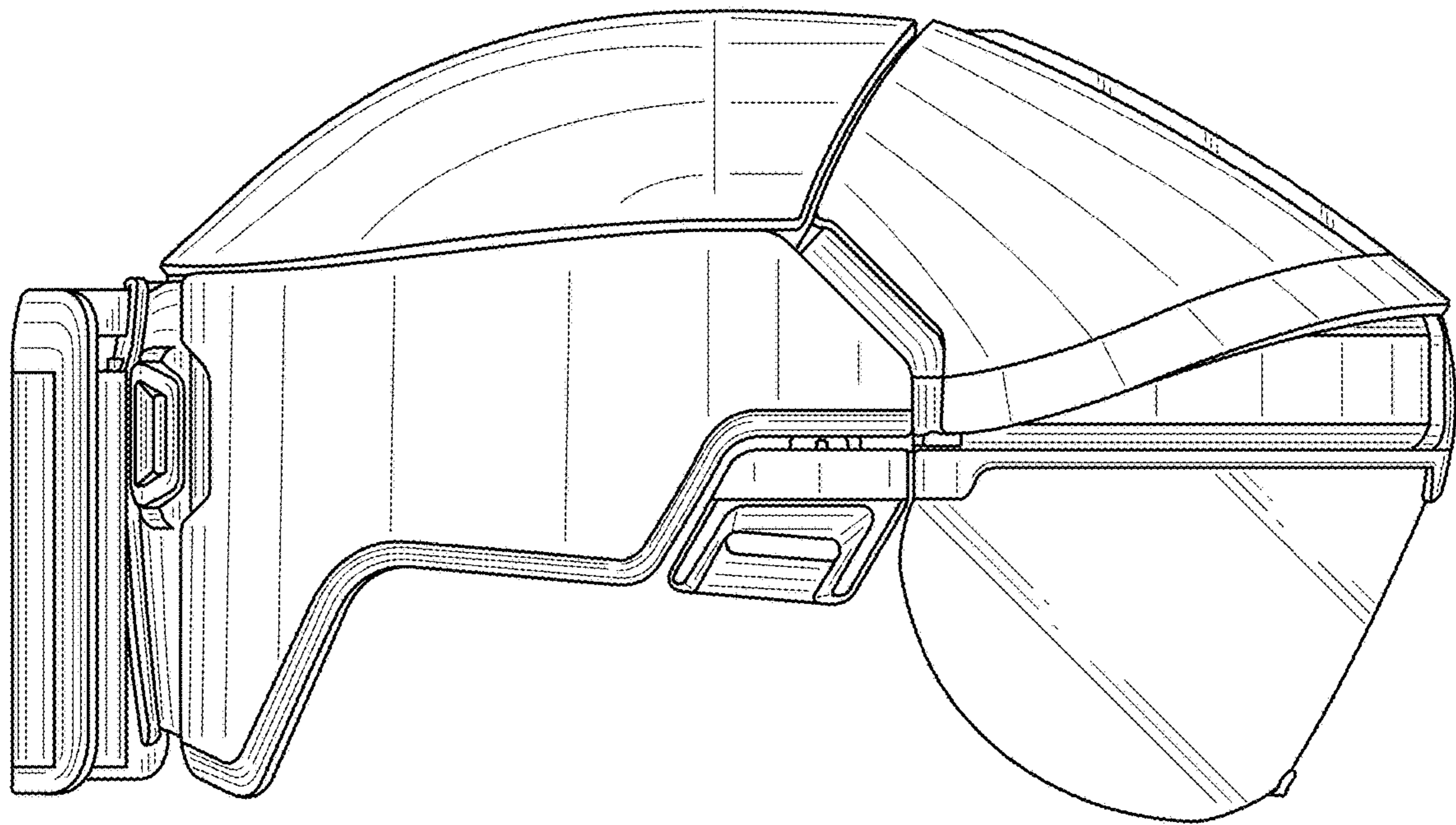


FIG. 9

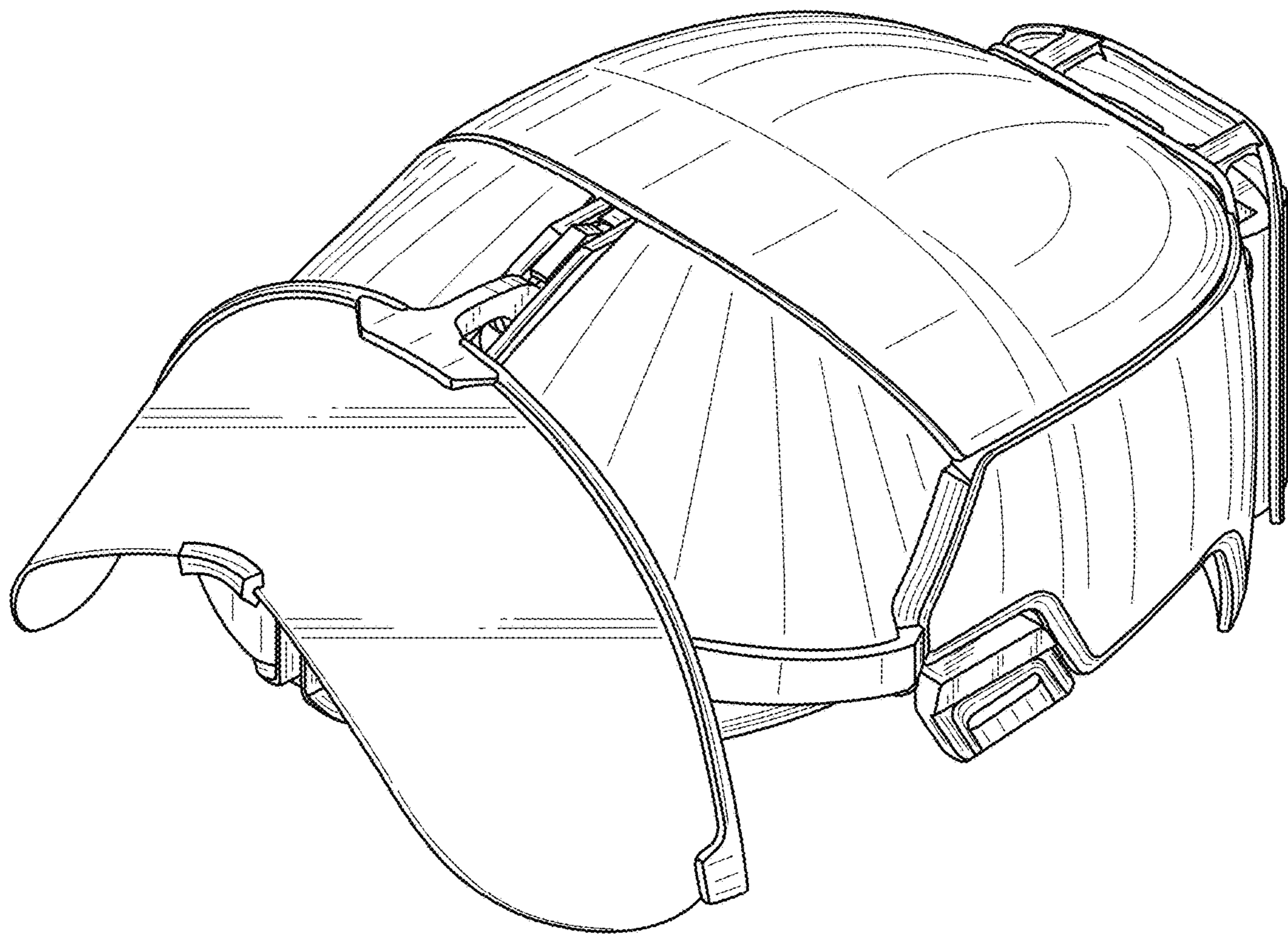


FIG. 10

