



US00D813232S

(12) **United States Design Patent**
Clement

(10) **Patent No.:** **US D813,232 S**
(45) **Date of Patent:** **** Mar. 20, 2018**

- (54) **HEAD MOUNTED DISPLAY VISOR**
- (71) Applicant: **WAVESINE SOLUTIONS INC.,**
Vancouver (CA)
- (72) Inventor: **David John Clement,** Vancouver (CA)
- (73) Assignee: **WAVESINE SOLUTIONS INC.,**
Vancouver (CA)
- (**) Term: **15 Years**
- (21) Appl. No.: **29/570,988**
- (22) Filed: **Jul. 13, 2016**

- 8,928,635 B2 1/2015 Harley
- D722,054 S * 2/2015 Serota D14/372
- 8,957,835 B2 2/2015 Hoellwarth
- D727,318 S 4/2015 Garcia Marin
- D732,028 S 6/2015 Kim
- D738,374 S 9/2015 Luckey
- D739,855 S 9/2015 Bosveld
- D740,810 S 10/2015 Bosveld
- D740,815 S 10/2015 Bosveld
- D741,323 S 10/2015 Bosveld
- D741,324 S 10/2015 Bosveld
- D741,325 S * 10/2015 Bosveld D14/372
- D741,327 S 10/2015 Reznik
- D741,858 S 10/2015 Bosveld
- 9,176,325 B2 11/2015 Lyons
- D749,580 S * 2/2016 Kim D14/372
- D753,111 S * 4/2016 Fei D14/372
- D753,113 S * 4/2016 Fei D14/372
- D762,763 S * 8/2016 Balachandreswaran D16/300
- D764,467 S * 8/2016 Nokuo D14/372

Related U.S. Application Data

- (63) Continuation of application No. 29/498,959, filed on Aug. 9, 2014, now Pat. No. Des. 764,465.
- (51) **LOC (11) Cl.** **14-02**
- (52) **U.S. Cl.**
USPC **D14/372**
- (58) **Field of Classification Search**
USPC D14/372, 496, 432, 371, 125, 126, 129,
D14/299; D16/300-342; 351/158, 153,
351/144; 345/7-9, 905; 455/344;
348/115, 53, 121, 739
CPC G02B 27/017; G02B 27/0158; G02B
27/0161; G02B 27/0181; G02B 27/0185;
G02B 27/0189
See application file for complete search history.

References Cited

U.S. PATENT DOCUMENTS

- D375,495 S * 11/1996 MacIness D14/372
- D427,982 S * 7/2000 Ishii D14/372
- D704,706 S 5/2014 Serota
- 8,831,255 B2 9/2014 Crawford
- 8,881,316 B2 11/2014 Reyes
- D719,953 S 12/2014 Nokuo

(Continued)

Primary Examiner — Austin Murphy

(74) *Attorney, Agent, or Firm* — Knobbe, Martens, Olson & Bear LLP

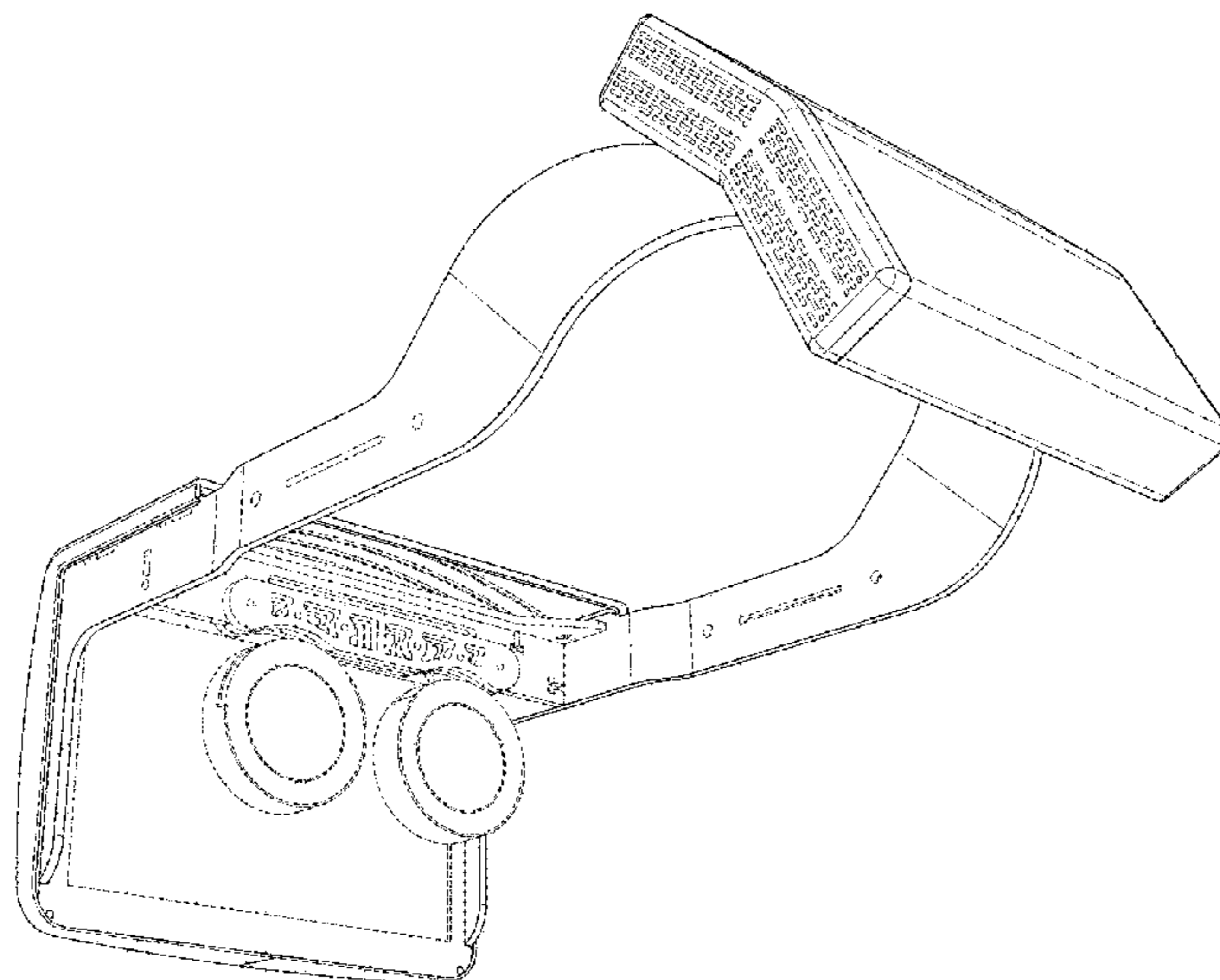
(57) **CLAIM**

The ornamental design for a head mounted display visor, as shown and described.

DESCRIPTION

FIG. 1 is a rear perspective view of the head mounted display visor of the design.
 FIG. 2 is a right side view thereof.
 FIG. 3 is a left side view thereof.
 FIG. 4 is a top plan view thereof.
 FIG. 5 is a bottom plan view thereof.
 FIG. 6 is a front elevation view thereof; and,
 FIG. 7 is a rear elevation view thereof.
 The broken lines in the drawings depict environmental structure and form no part of the claimed design.

1 Claim, 7 Drawing Sheets



(56)

References Cited

U.S. PATENT DOCUMENTS

D778,909 S *	2/2017	Nokuo	D14/372
D780,751 S *	3/2017	Park	D14/372
D781,288 S *	3/2017	Park	D14/372
D783,019 S *	4/2017	Letbetter	D14/372
D785,619 S *	5/2017	Sui	D14/372
D791,126 S *	7/2017	Sullivan	D14/372
D791,129 S *	7/2017	Sullivan	D14/372
2014/0152531 A1	6/2014	Murray	

* cited by examiner

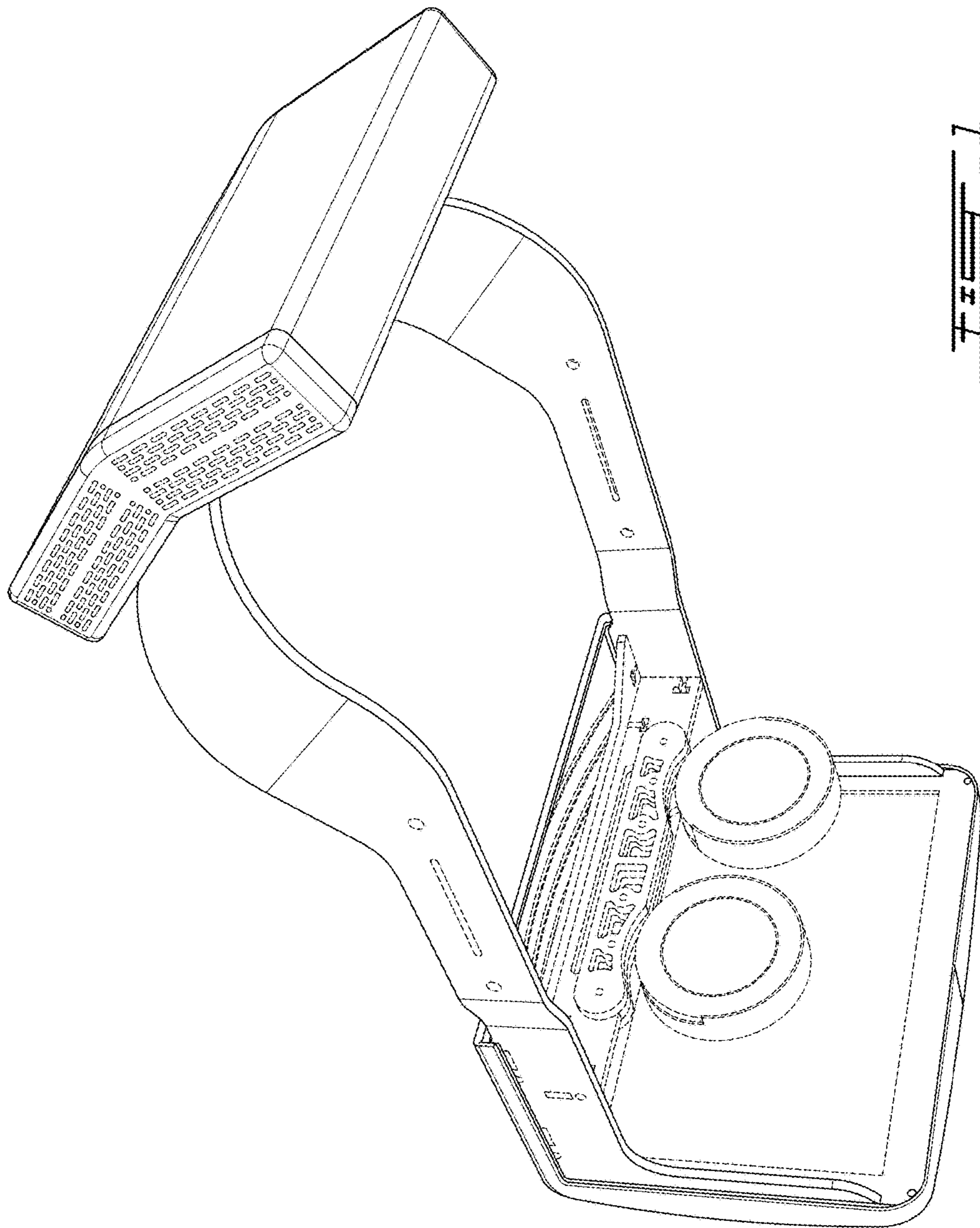


FIG. 1

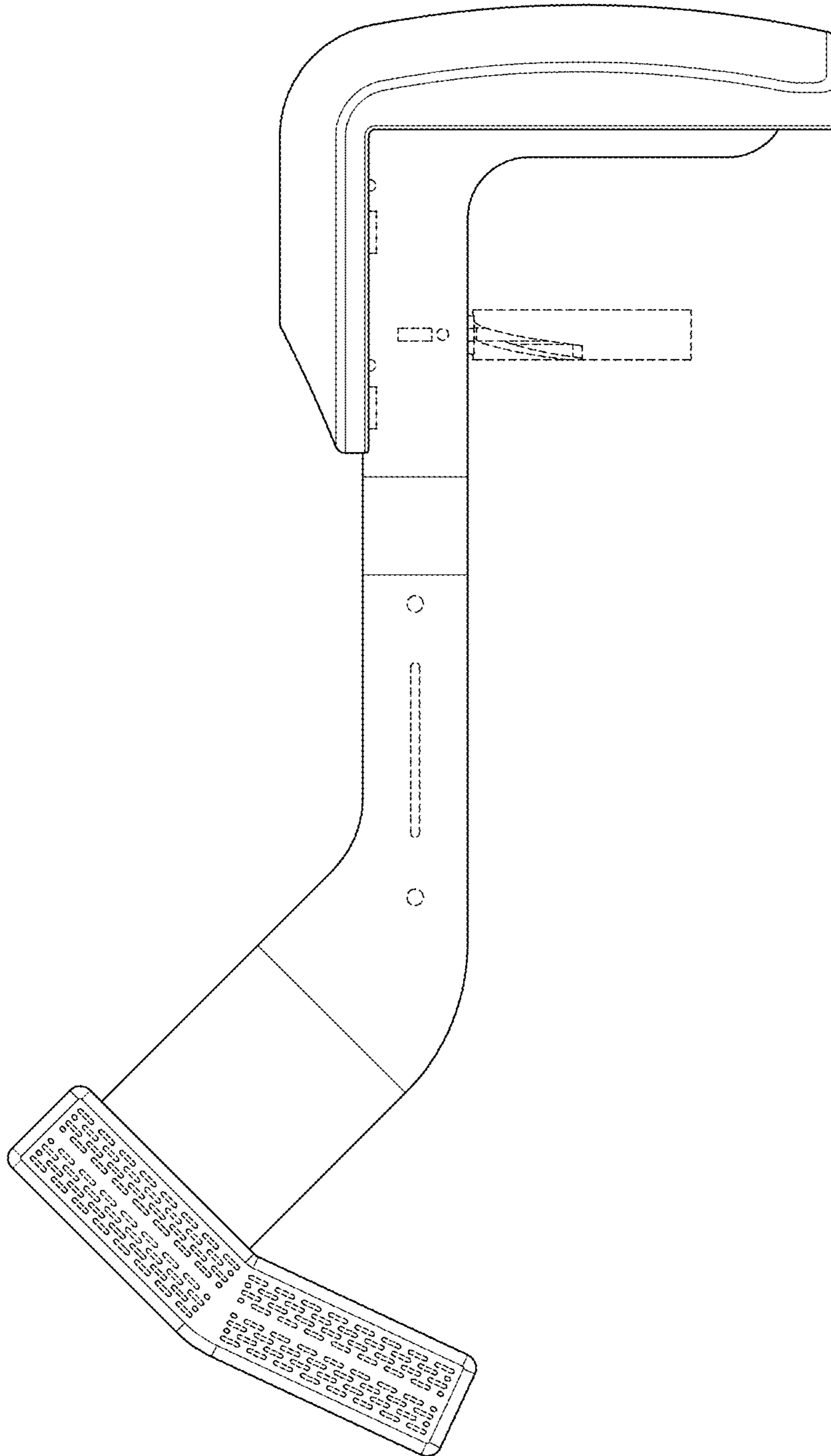


FIG. 2

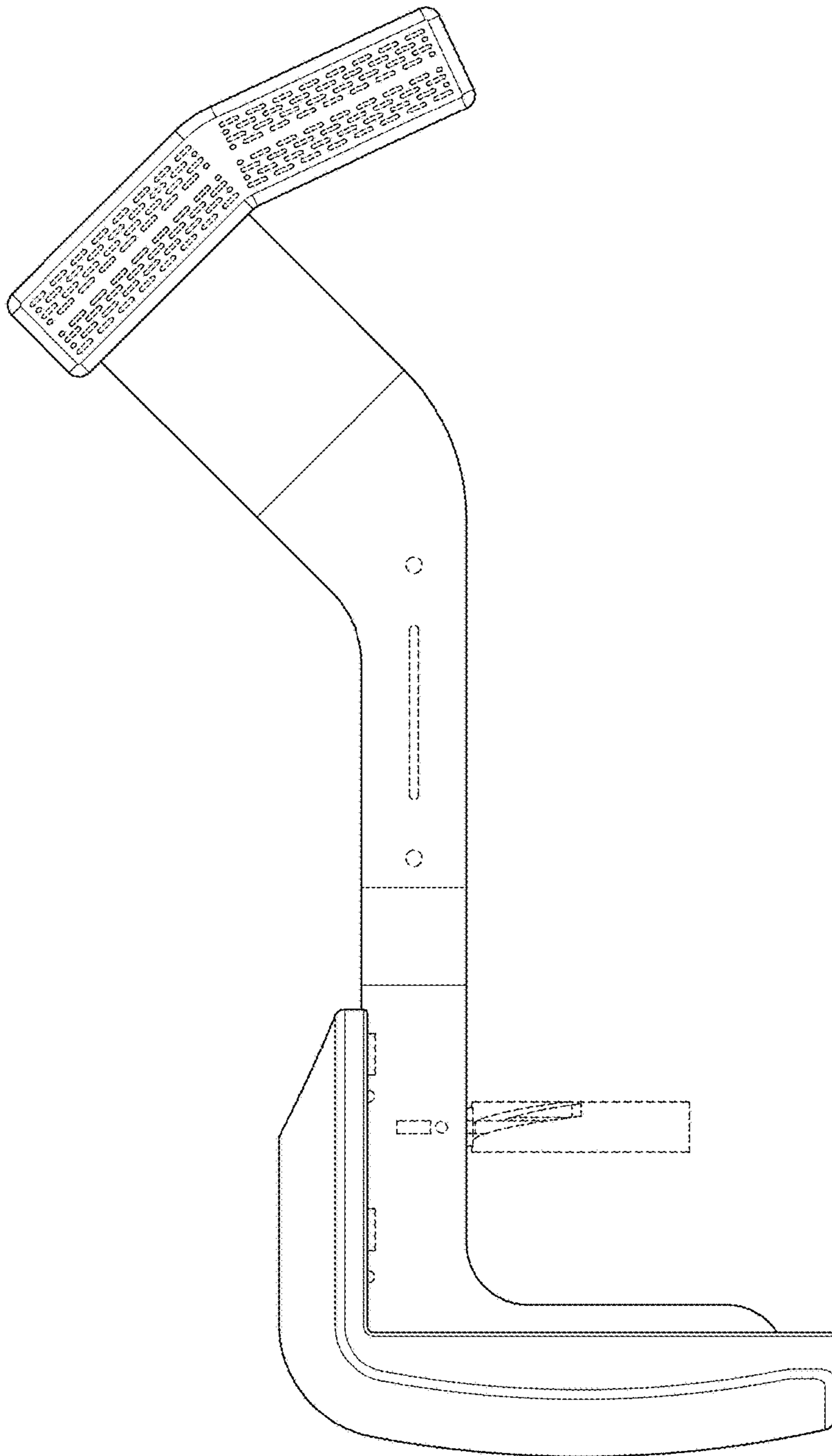


FIG. 3

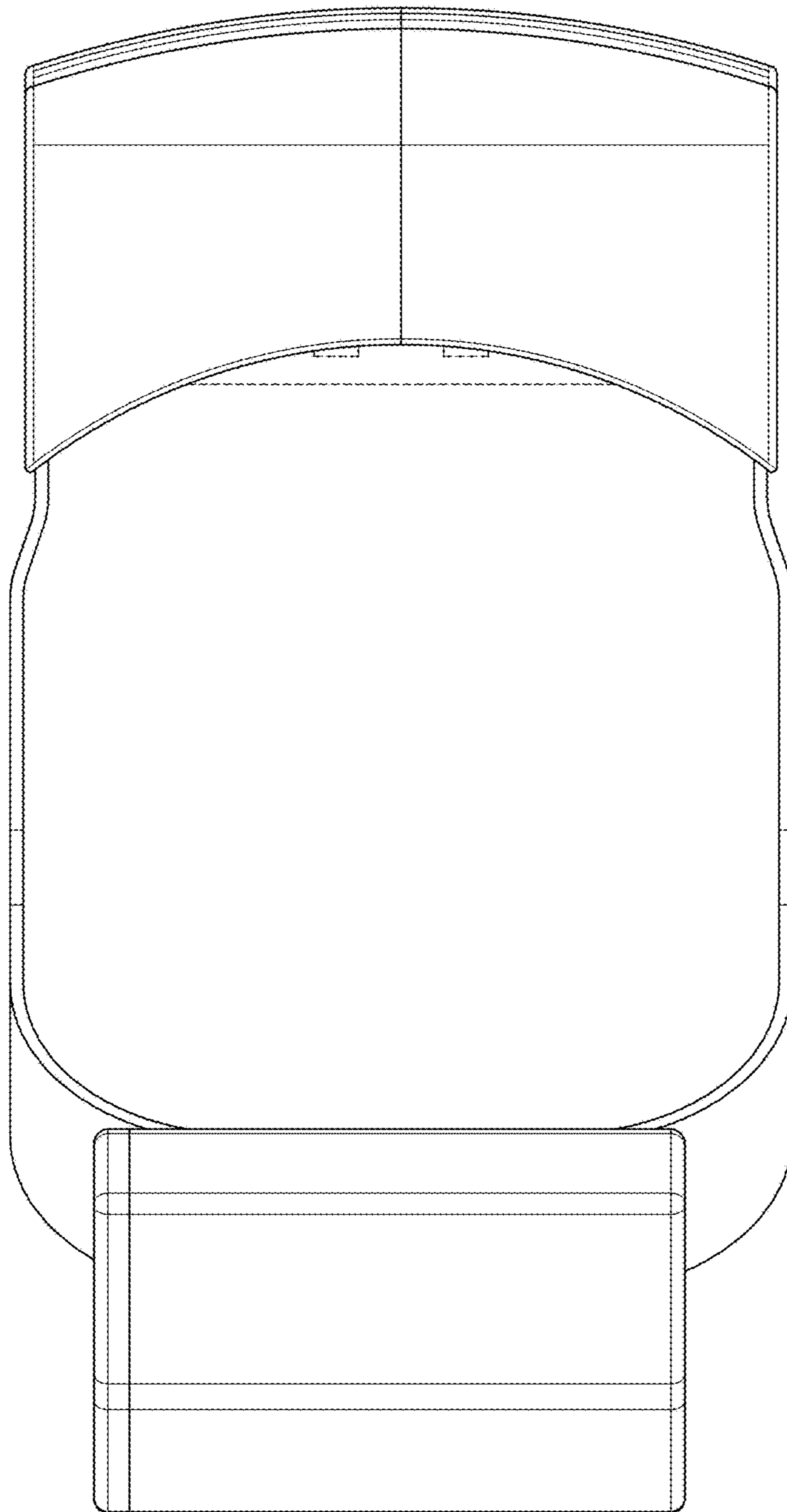


FIG. 4

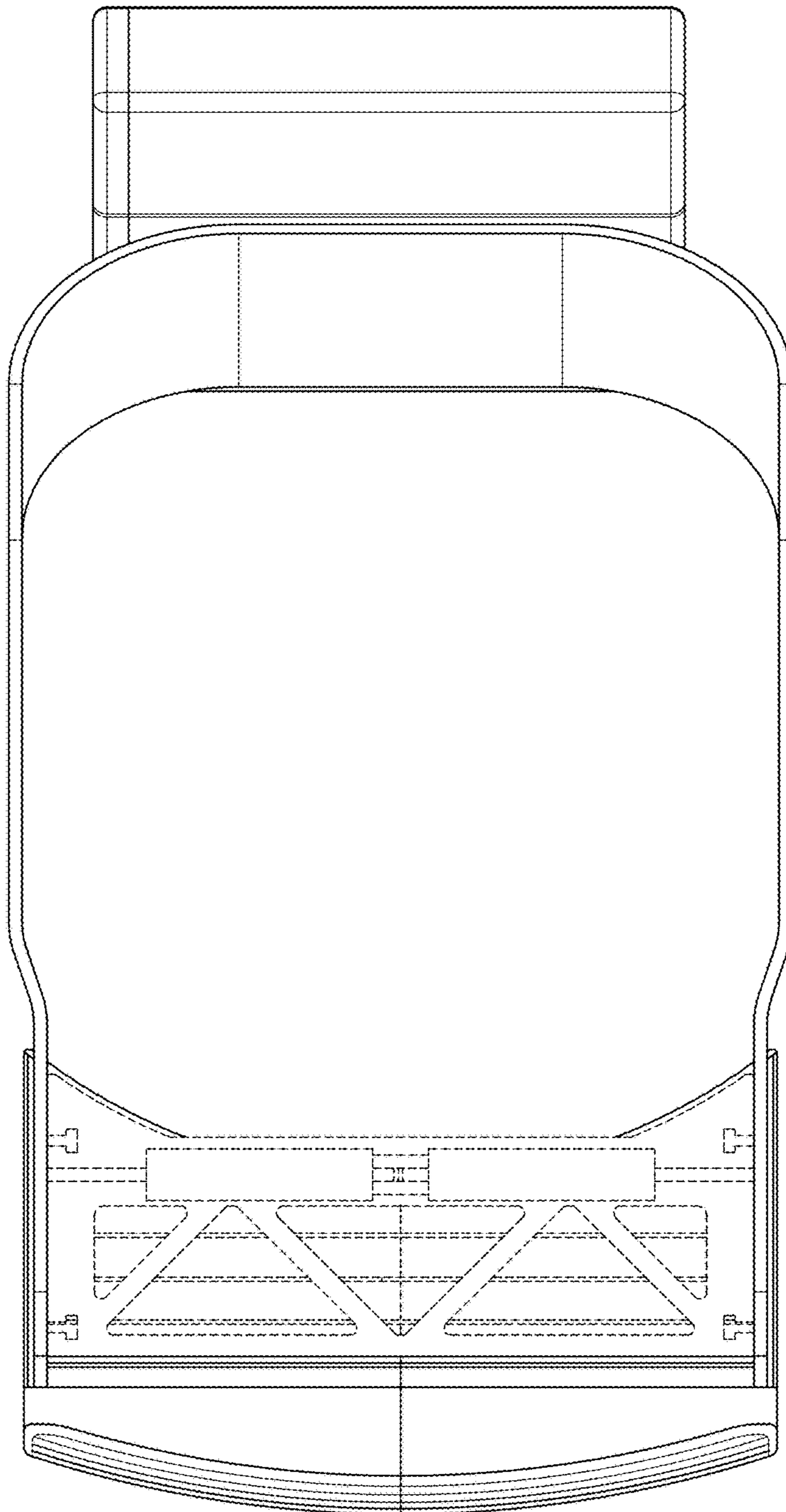


FIG. 5

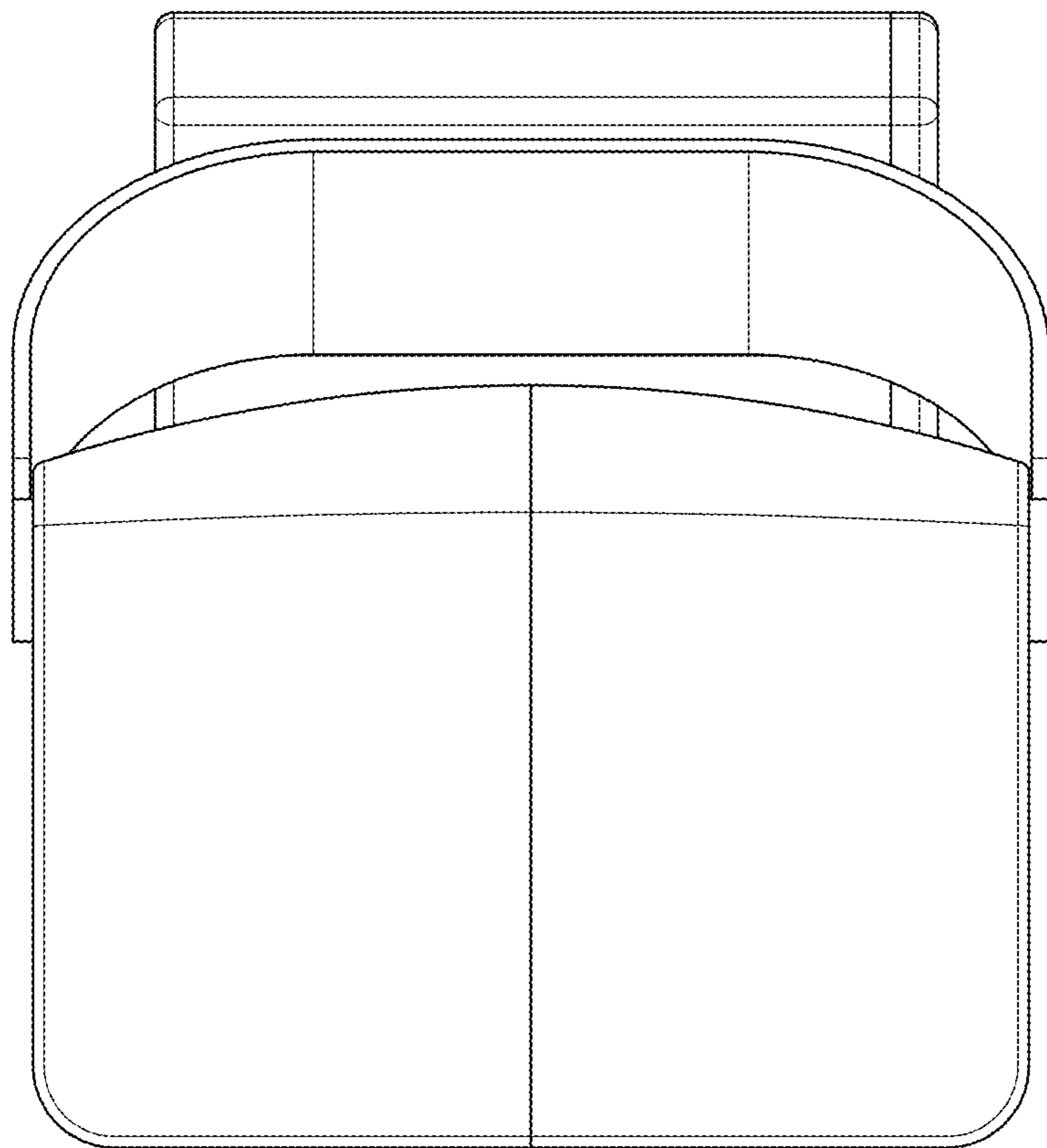


FIG. 6

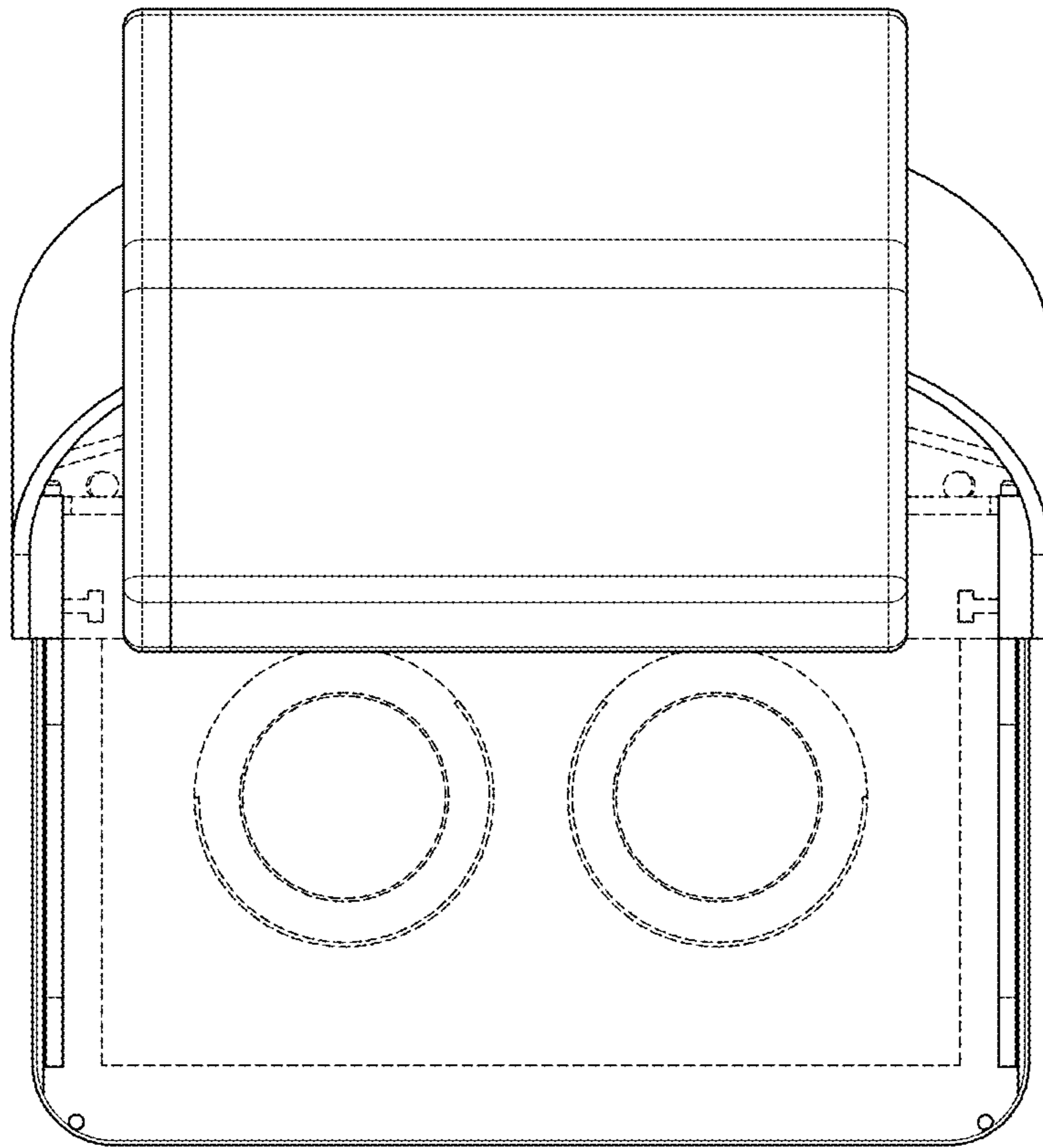


FIG. 7