



US00D813230S

(12) **United States Design Patent**
Koo et al.

(10) **Patent No.:** **US D813,230 S**
(45) **Date of Patent:** **** Mar. 20, 2018**

(54) **GATEWAY**

(71) Applicant: **Comcast Cable Communications, LLC**, Philadelphia, PA (US)

(72) Inventors: **Wonmo Koo**, Wynnewood, PA (US);
Michael Jou, Philadelphia, PA (US);
Henry Homza, Philadelphia, PA (US);
Neil Epstein, Havertown, PA (US);
Fraser Stirling, Bryn Mawr, PA (US);
Thomas Loretan, Philadelphia, PA (US)

(73) Assignee: **Comcast Cable Communications, LLC**, Philadelphia, PA (US)

(**) Term: **15 Years**

(21) Appl. No.: **29/568,111**

(22) Filed: **Jun. 15, 2016**

(51) **LOC (11) Cl.** **14-02**

(52) **U.S. Cl.**
USPC **D14/358**

(58) **Field of Classification Search**
USPC D14/125, 138 C, 138 R, 140.1, 155, 159,
D14/167, 230, 231, 232, 233, 234, 235,
D14/236, 237, 238, 240, 242, 243, 299,
D14/348, 349, 351, 353, 354, 355, 356,
D14/357, 358, 367, 385, 433, 435, 436,
D14/474, 480, 496; D13/123, 184;
D10/75, 104.1

See application file for complete search history.

(56) **References Cited**

U.S. PATENT DOCUMENTS

D491,918 S * 6/2004 Solland D14/207
D611,455 S * 3/2010 Wang D14/214

D646,665 S * 10/2011 Iijima D14/214
D678,243 S * 3/2013 McManigal D14/214
D682,406 S * 5/2013 Yeom D23/356
D734,446 S * 7/2015 Salmon D24/108
D753,812 S * 4/2016 Salmon D24/110

* cited by examiner

Primary Examiner — Robert M. Spear

Assistant Examiner — John A Voytek

(74) *Attorney, Agent, or Firm* — Baker & Hostetler LLP

(57) **CLAIM**

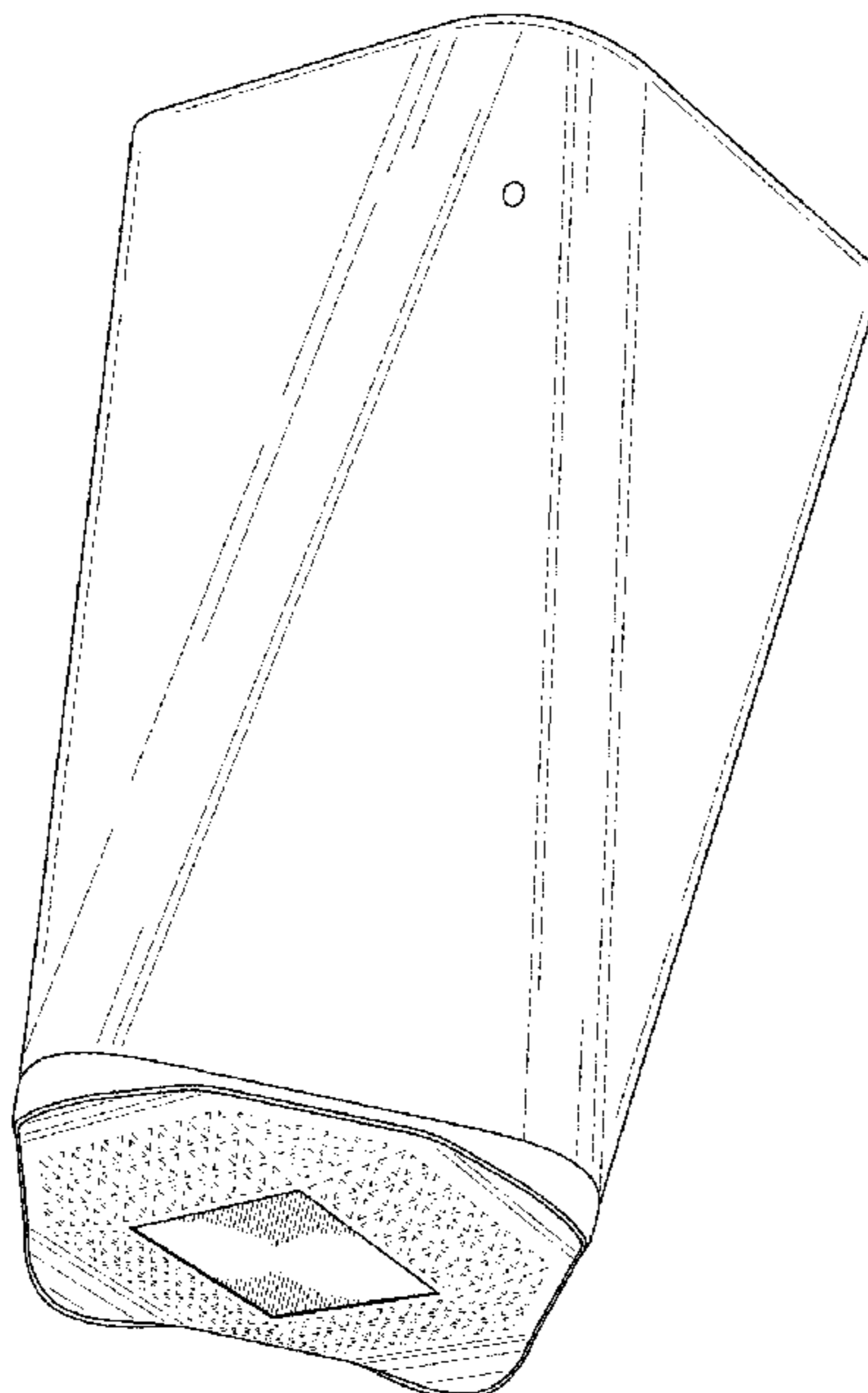
The ornamental design for a gateway, as shown and described.

DESCRIPTION

FIG. 1 is a perspective view of a gateway according to an aspect of the present disclosure;
FIG. 2 is a top view of the gateway of FIG. 1;
FIG. 3 is a bottom view of the gateway of FIG. 1;
FIG. 4 is a front view of the gateway of FIG. 1;
FIG. 5 is a rear view of the gateway of FIG. 1;
FIG. 6 is a left side view of the gateway of FIG. 1;
FIG. 7 is a right side view of the gateway of FIG. 1;
FIG. 8 is a rotated side view of the gateway of FIG. 1, wherein the gateway is rotated 45 degrees from the front view toward the left side view; and,
FIG. 9 is a rotated side view of the gateway of FIG. 1, wherein the gateway is rotated 45 degrees from the rear view toward the right side view.

In the drawings, the broken lines depict environmental subject matter only and form no part of the claimed design.

1 Claim, 5 Drawing Sheets



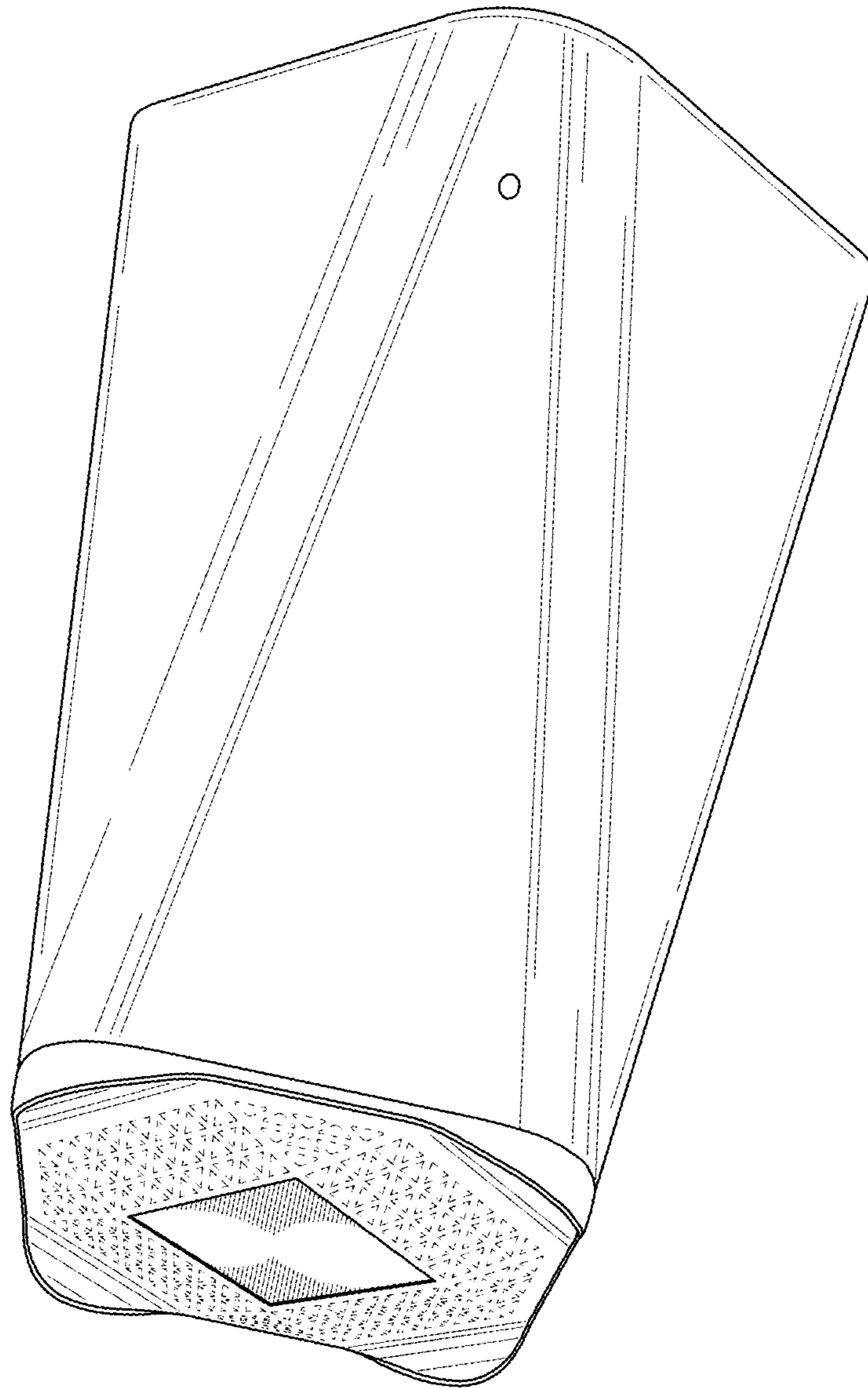


FIG. 1

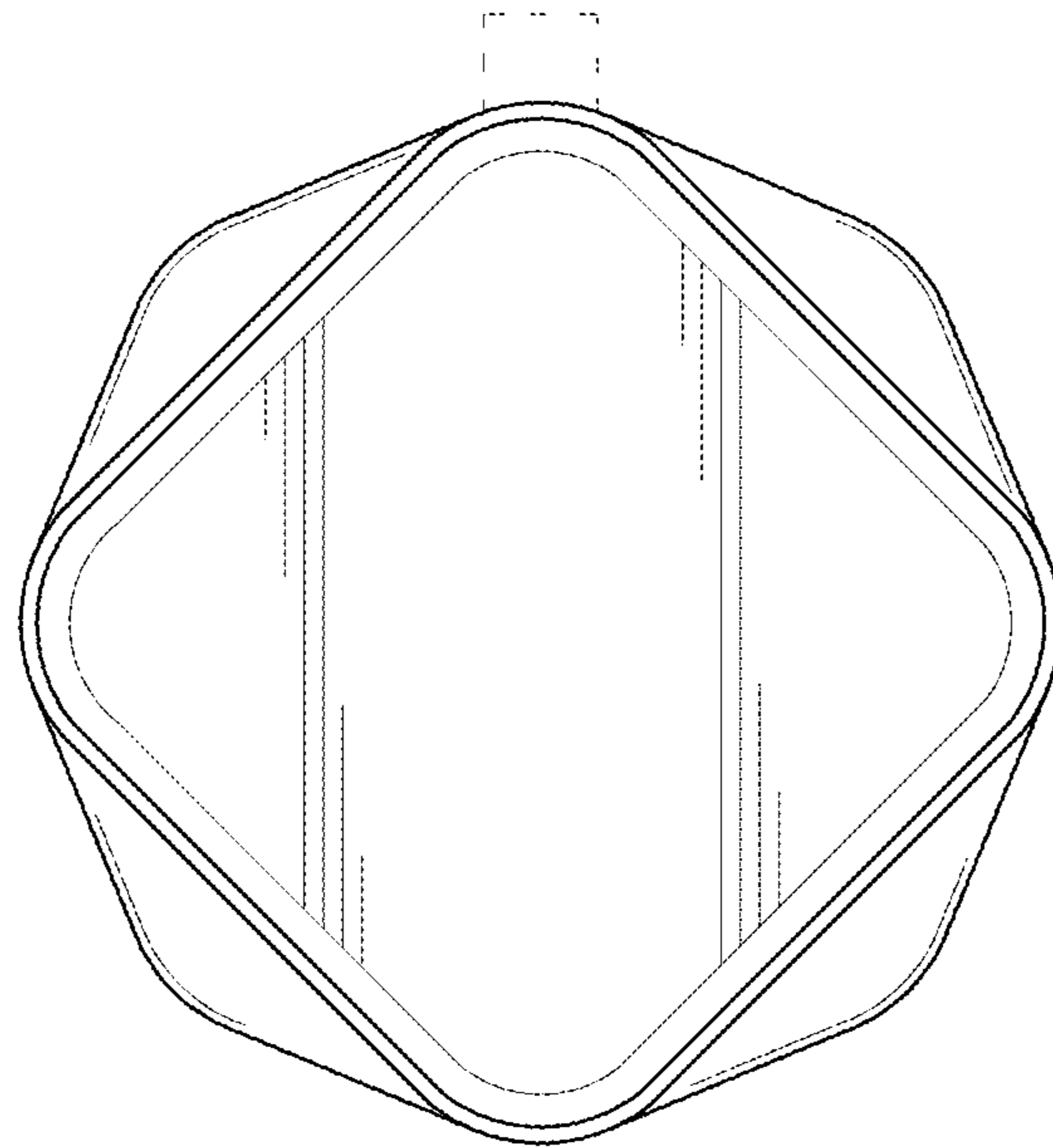


FIG. 2

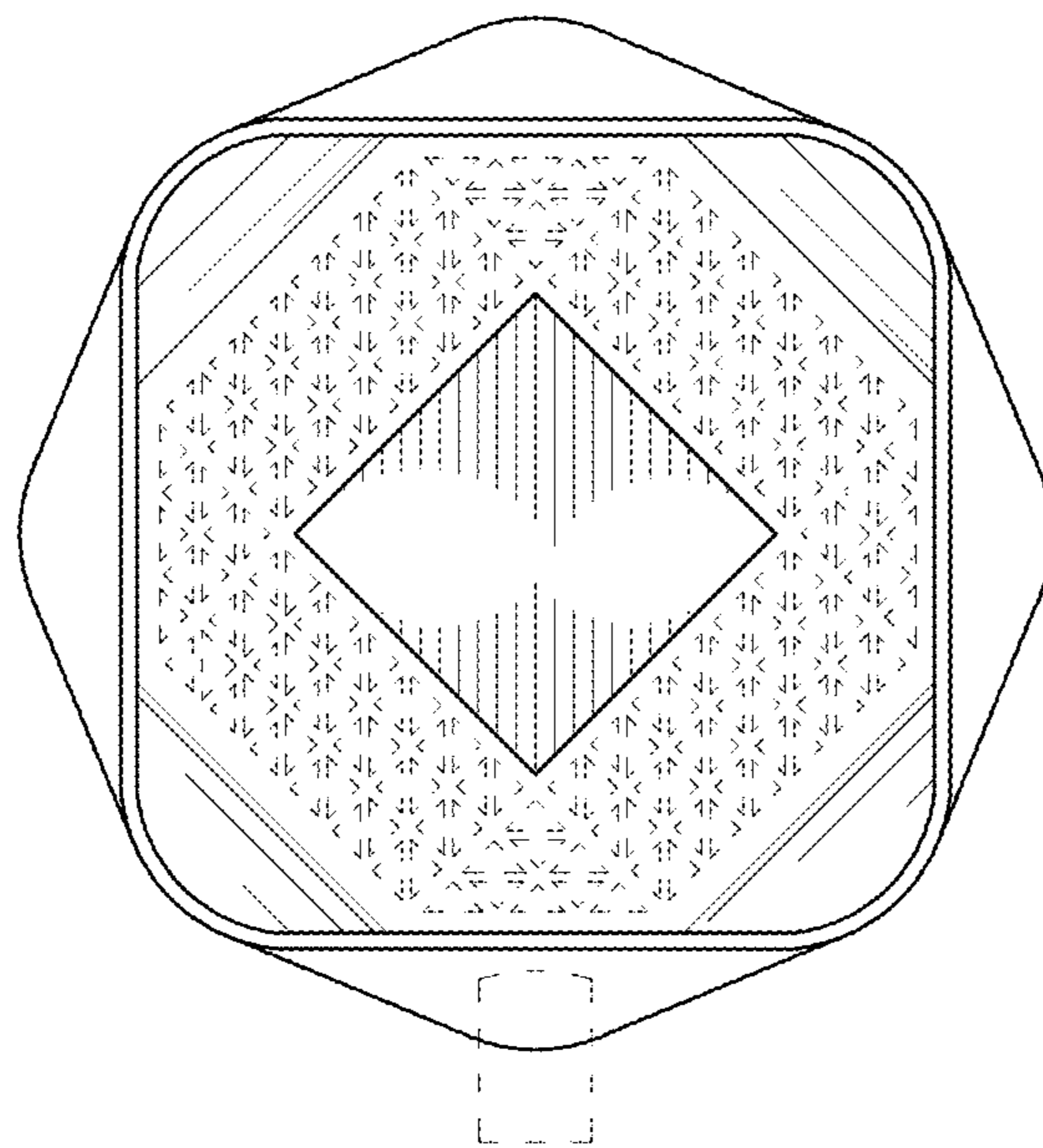


FIG. 3

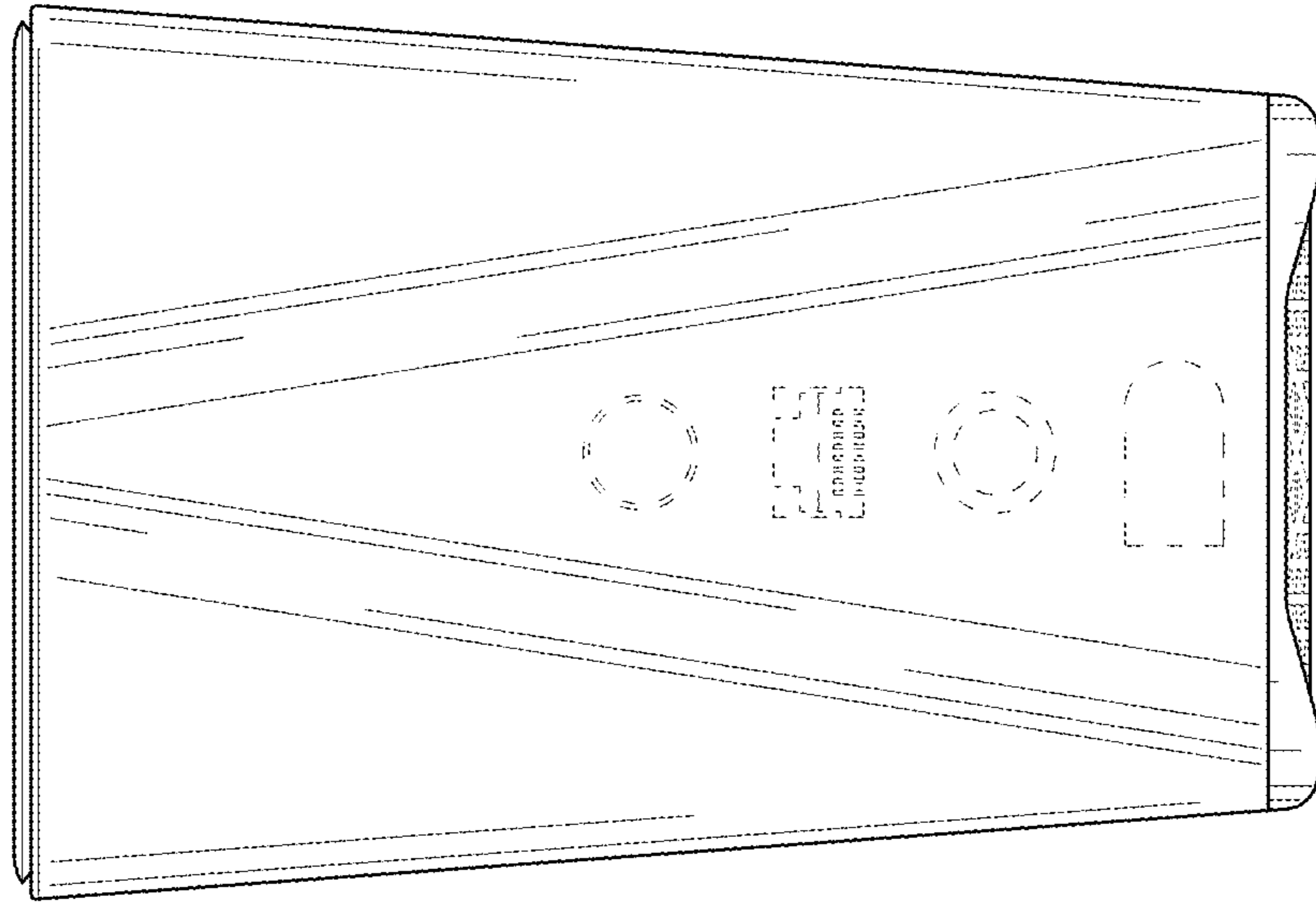


FIG. 5

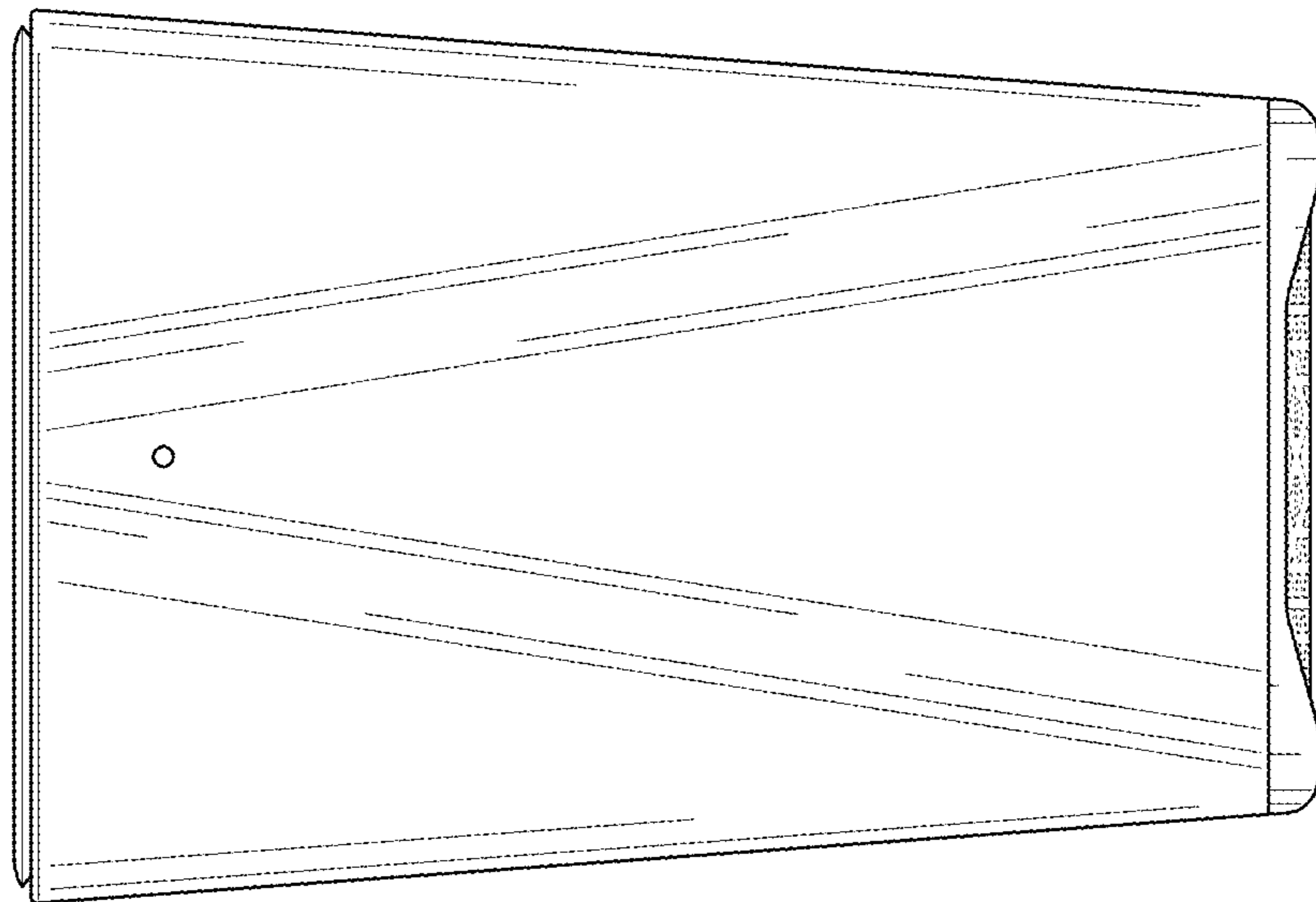


FIG. 4

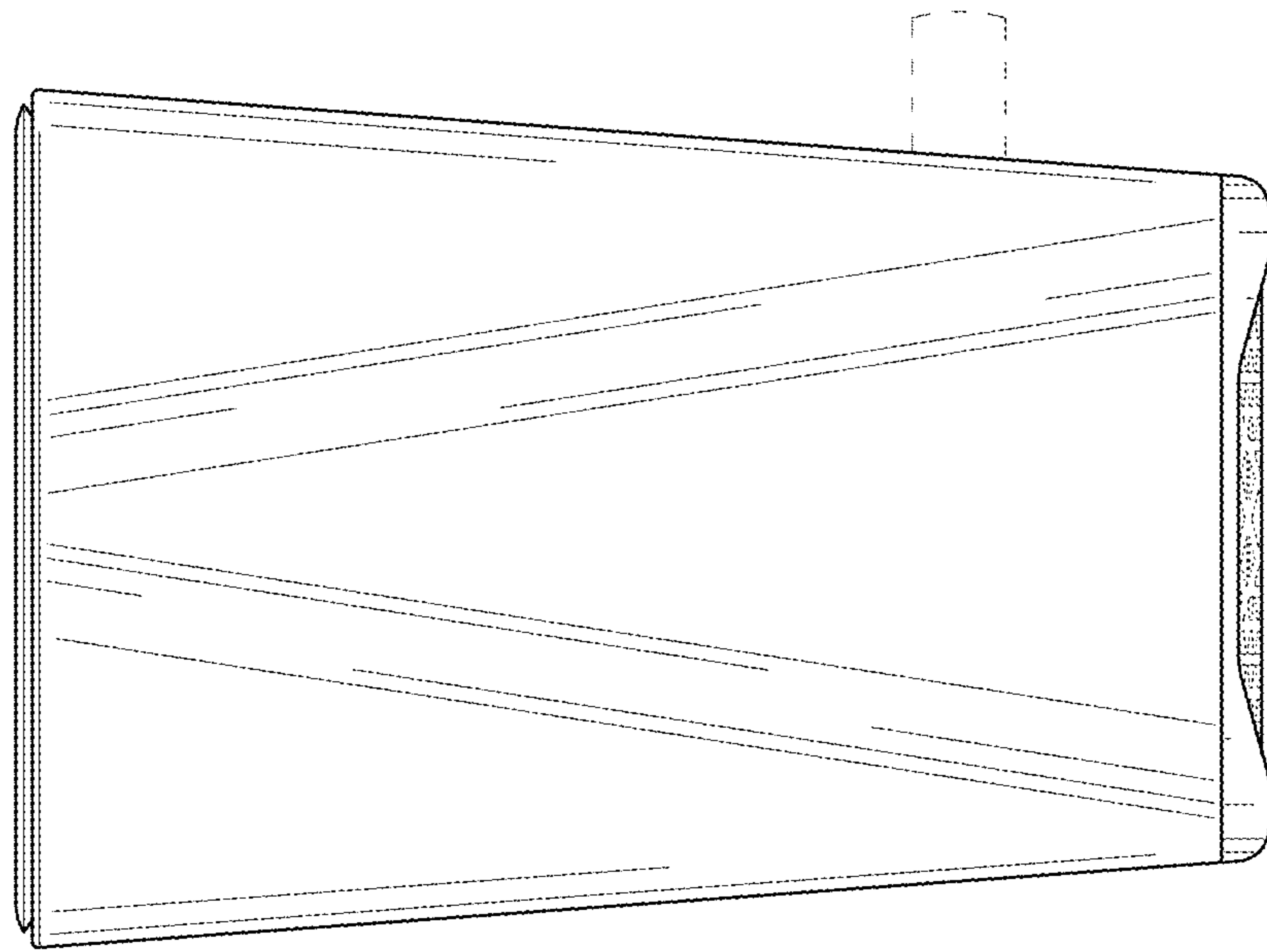


FIG. 7

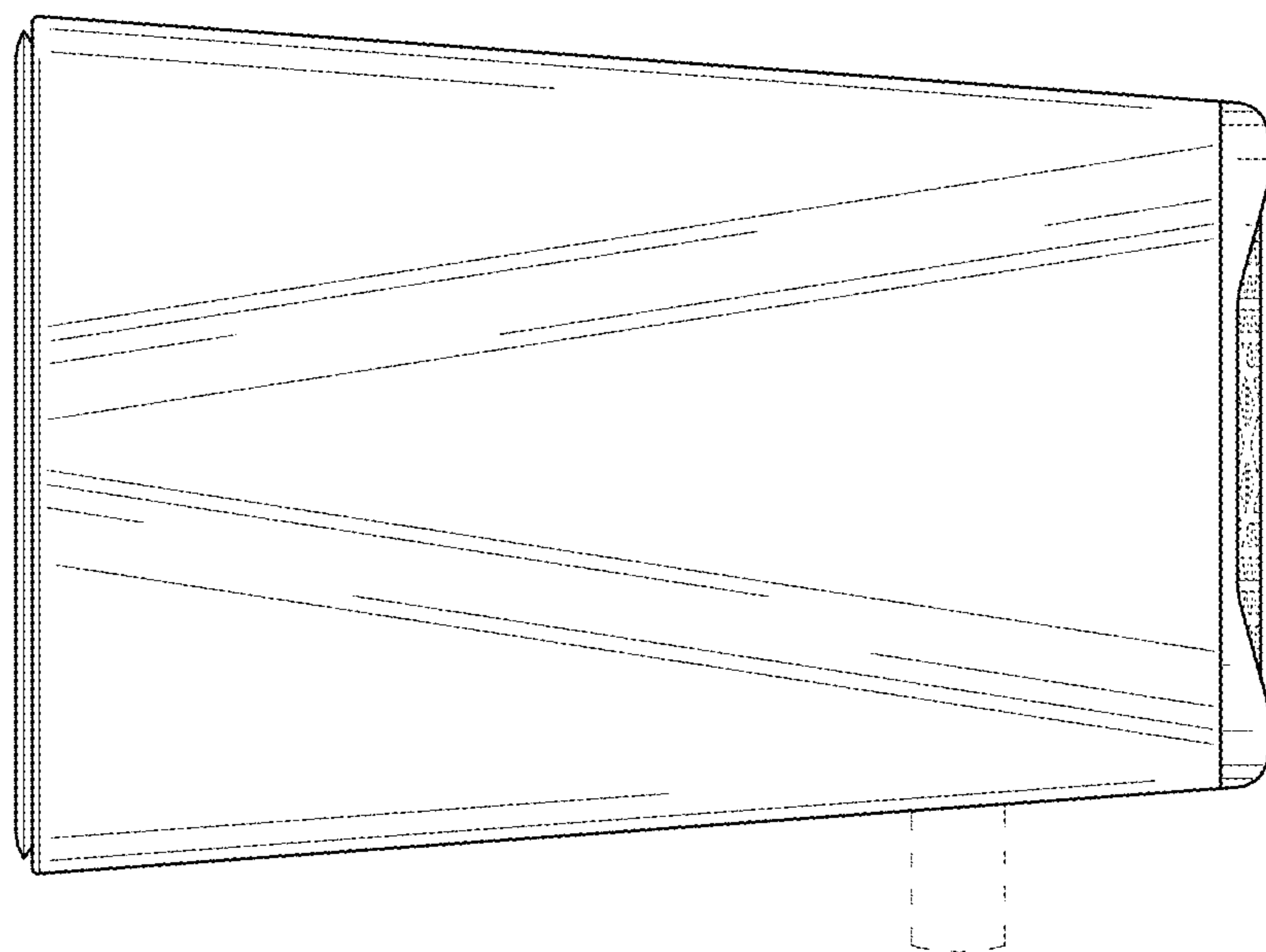


FIG. 6

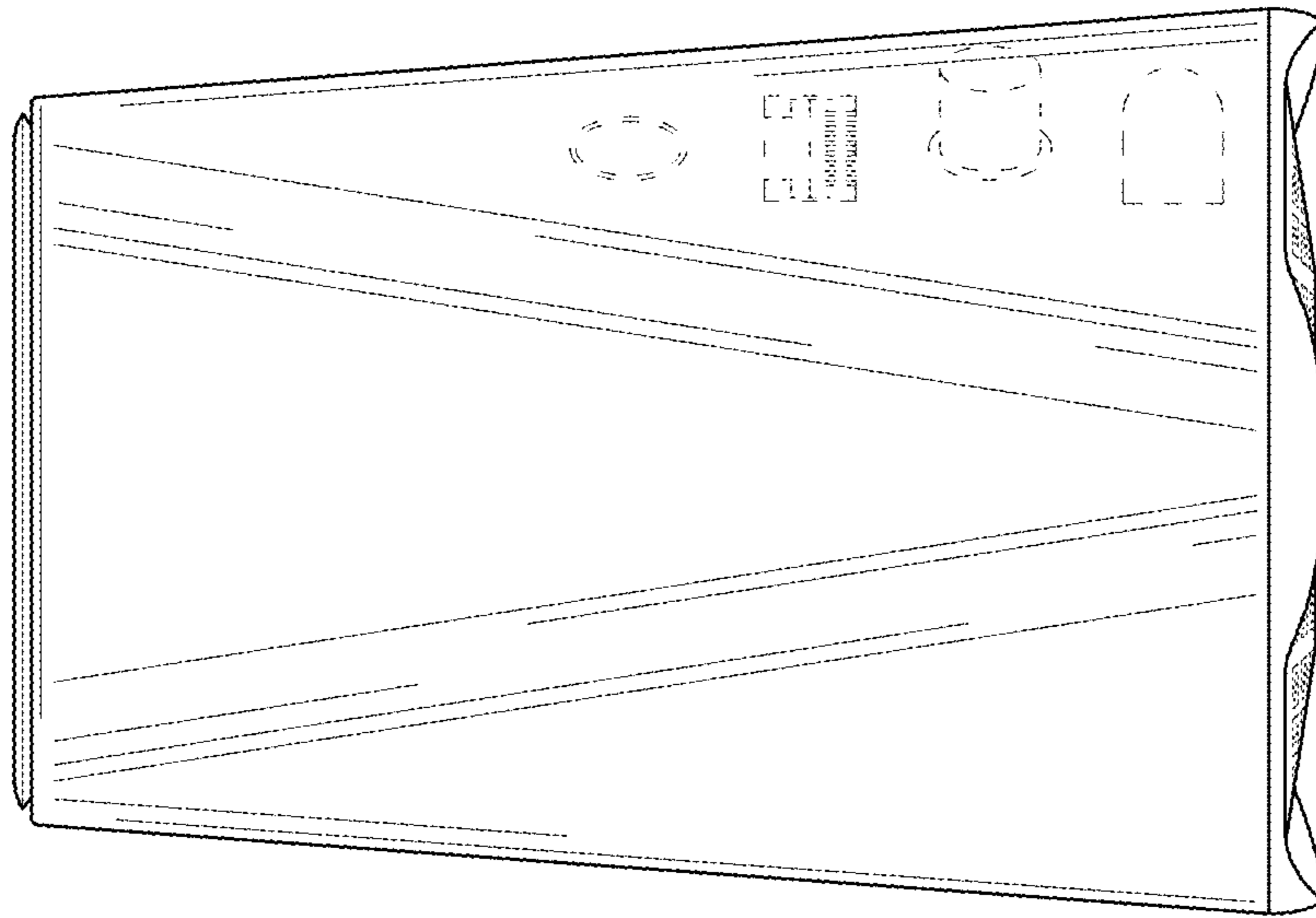


FIG. 9

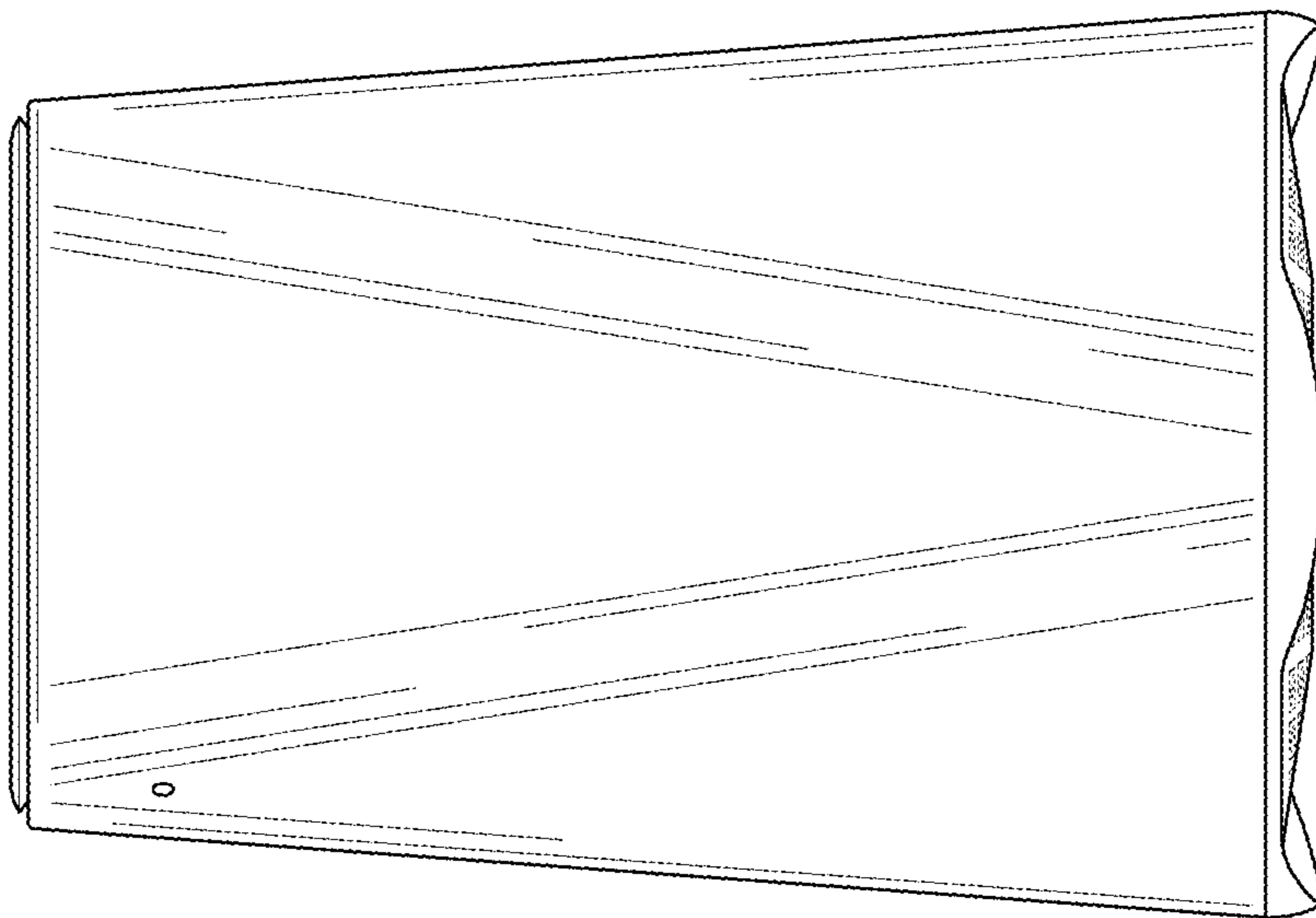


FIG. 8