



US00D813221S

(12) **United States Design Patent** (10) **Patent No.:** **US D813,221 S**
San S (Sundaran) et al. (45) **Date of Patent:** **** Mar. 20, 2018**

(54) **UNIVERSAL IN-CAB RADIO MOUNT KIT**

(71) Applicant: **THERMO KING CORPORATION**,
Minneapolis, MN (US)

(72) Inventors: **Sujeeth San S (Sundaran)**, Bangalore
(IN); **Oscar Sanz de Acedo Pollan**,
Minneapolis, MN (US)

(73) Assignee: **THERMO KING CORPORATION**,
Minneapolis, MN (US)

(**) Term: **15 Years**

(21) Appl. No.: **29/559,828**

(22) Filed: **Mar. 31, 2016**

(51) **LOC (11) Cl.** **14-03**

(52) **U.S. Cl.**
USPC **D14/258; D14/217**

(58) **Field of Classification Search**
USPC D12/192, 195, 415, 420; D14/496,
D14/498-511, 154, 157, 168-171,
D14/188-198, 217, 257-258; 248/27.1,
248/27.3, 558; 455/347, 350
CPC B60R 11/02; B60K 37/04; B60K 37/06;
H04B 1/08; H04B 1/082
See application file for complete search history.

(56) **References Cited**

U.S. PATENT DOCUMENTS

D269,775 S * 7/1983 Hoese D12/192
D294,353 S * 2/1988 Sprague D14/258
D321,336 S * 11/1991 Hoese D12/192

(Continued)

Primary Examiner — Sandra L Morris

(74) *Attorney, Agent, or Firm* — Hamre, Schumann,
Mueller & Larson, P.C.

(57) **CLAIM**

The ornamental design for a universal in-cab radio mount kit, as shown and described.

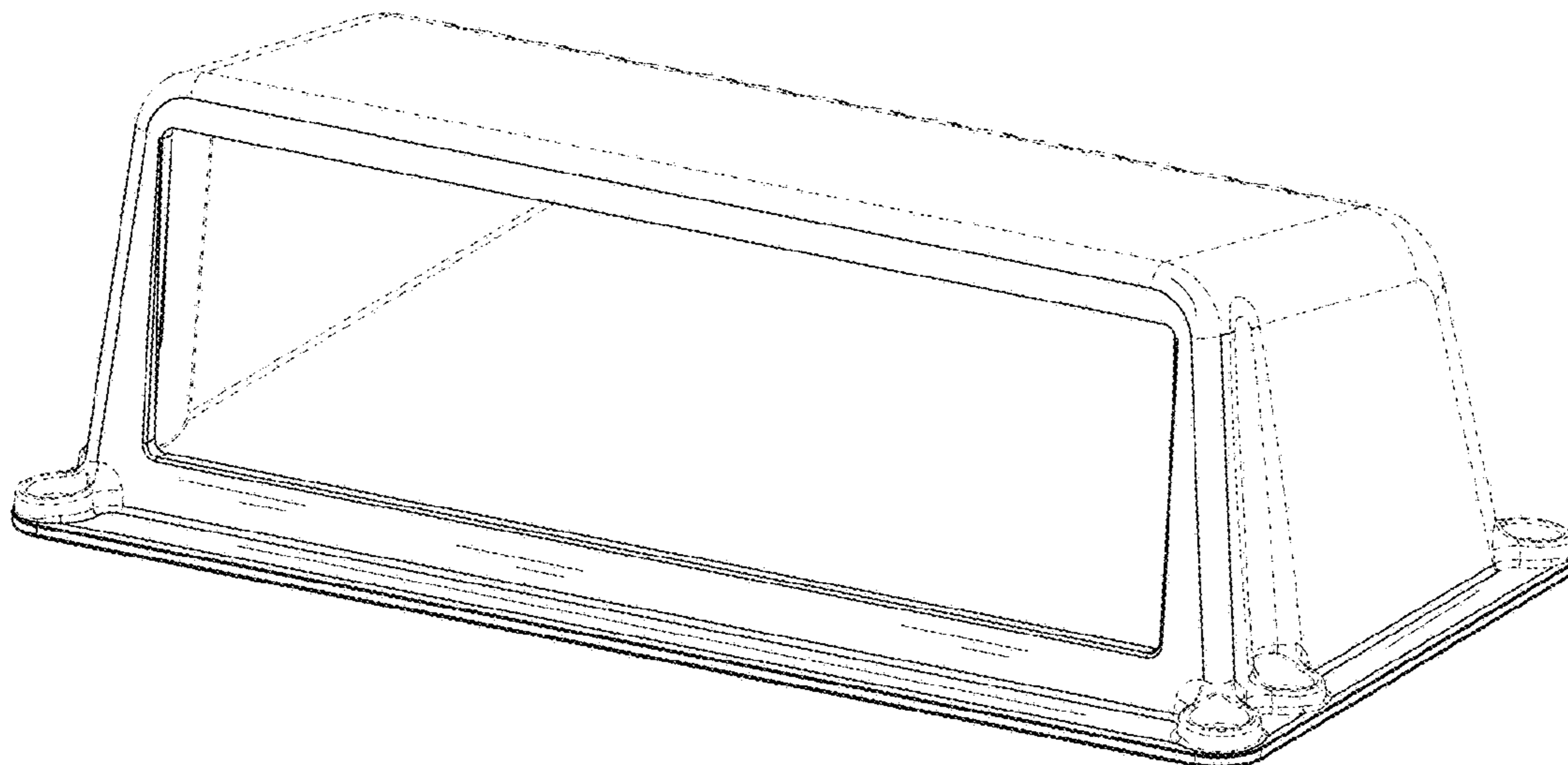
DESCRIPTION

FIG. 1 is a front perspective view of a universal in-cab radio mount kit showing our new design;
FIG. 2 is a front elevational view thereof;
FIG. 3 is a rear elevational view thereof;
FIG. 4 is a top elevational view thereof;
FIG. 5 is a bottom elevational view thereof;
FIG. 6 is a left elevational view thereof;
FIG. 7 is a right elevational view thereof;
FIG. 8 is a bottom perspective view thereof;
FIG. 9 is a rear perspective view thereof;
FIG. 10 is a side perspective view of an interior cab region having the universal in- cab radio mount kit according to a first embodiment;
FIG. 11 is a side perspective view of an interior cab region having the universal in- cab radio mount kit according to a second embodiment;
FIG. 12 is a side perspective view of an interior cab region having the universal in- cab radio mount kit according to a third embodiment;
FIG. 13 is a side perspective view of an interior cab region having the universal in- cab radio mount kit according to a fourth embodiment;
FIG. 14 is a side perspective view of an interior cab region having the universal in- cab radio mount kit according to a fifth embodiment;
FIG. 15 is a side perspective view of an interior cab region having the universal in- cab radio mount kit according to a sixth embodiment; and,
FIG. 16 is a side perspective view of an interior cab region having the universal in- cab radio mount kit according to a seventh embodiment.

Surface shading in the FIGS. 1-16 is provided to show clearly the character and contour of all surfaces of any three-dimensional aspects of the design.

The broken lines shown in the FIGS. 1-16 are for illustrative purposes only and forms no part of the claimed design.

1 Claim, 16 Drawing Sheets



(56)

References Cited

U.S. PATENT DOCUMENTS

D414,772 S	*	10/1999	Adelaar	D14/217
D430,555 S	*	9/2000	Adelaar	D14/217
D436,906 S	*	1/2001	Arai	D12/192
D724,057 S	*	3/2015	Kim	D14/217
D724,511 S	*	3/2015	Ahn	D12/192
D733,099 S	*	6/2015	Pupecki	D14/217
D741,765 S	*	10/2015	Nakamura	D12/192
D741,766 S	*	10/2015	Nakamura	D12/192
D746,615 S	*	1/2016	Teeters, II	D12/192

* cited by examiner

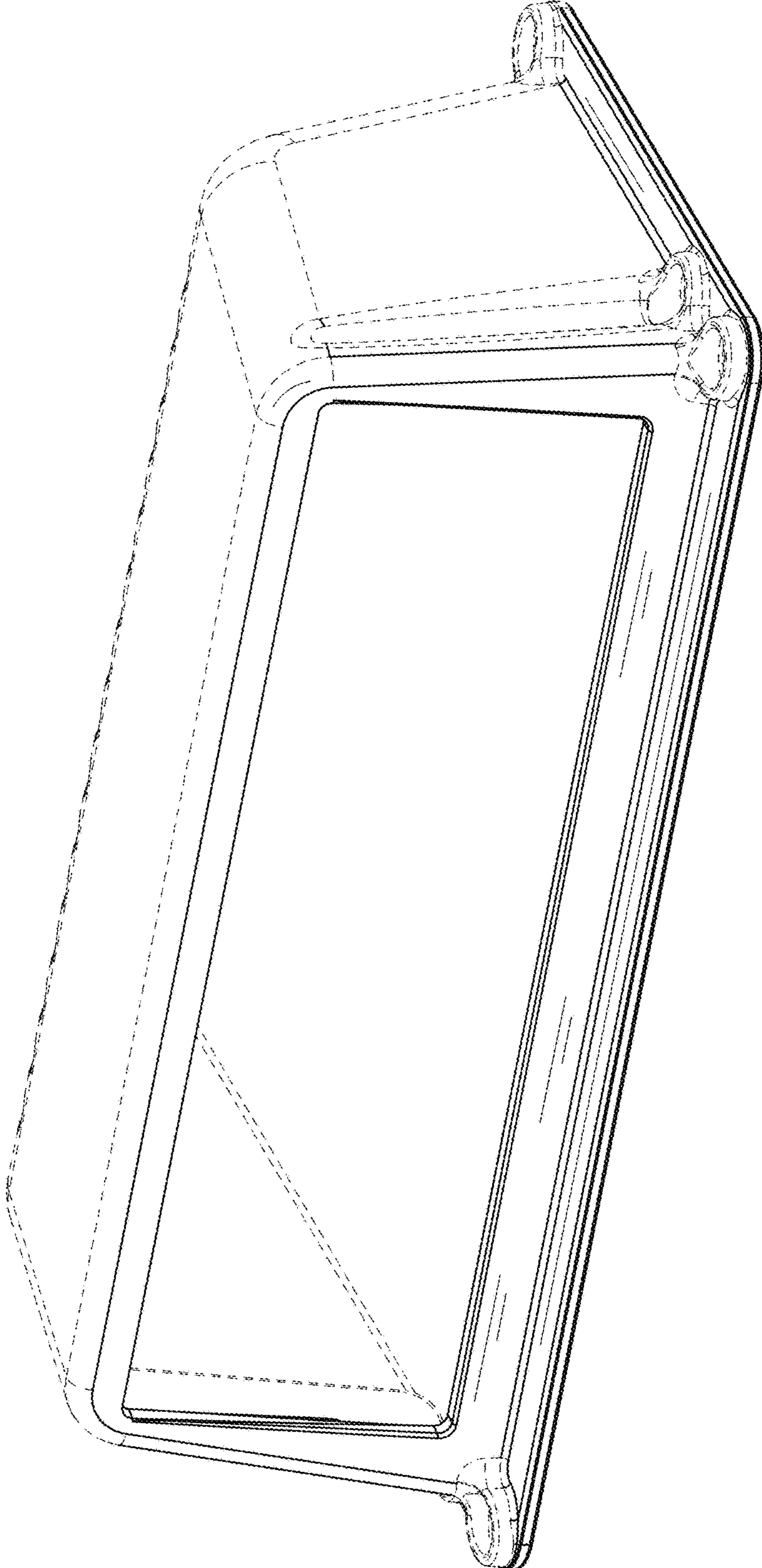


FIG. 1

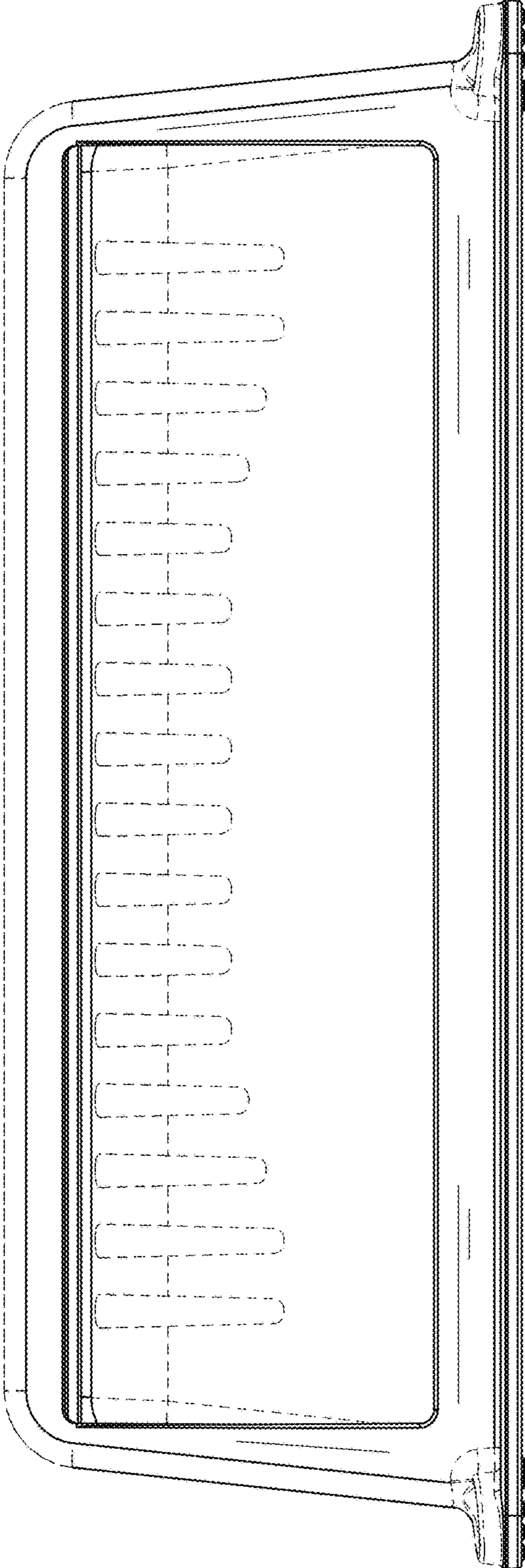


FIG. 2

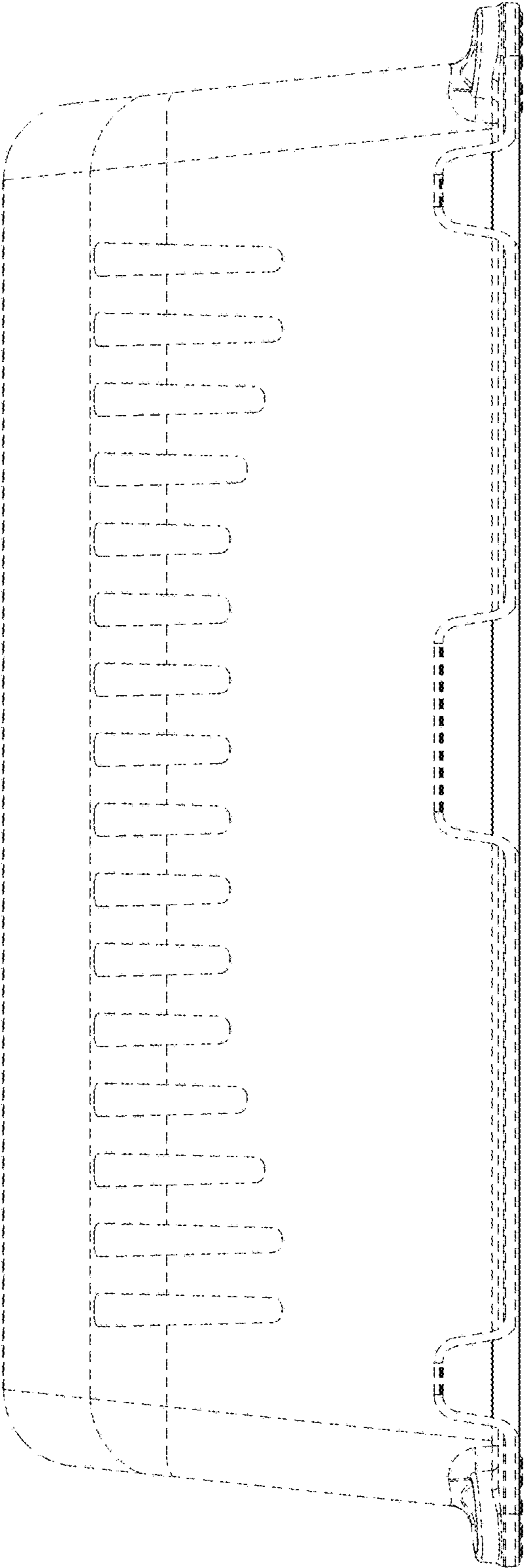


FIG. 3

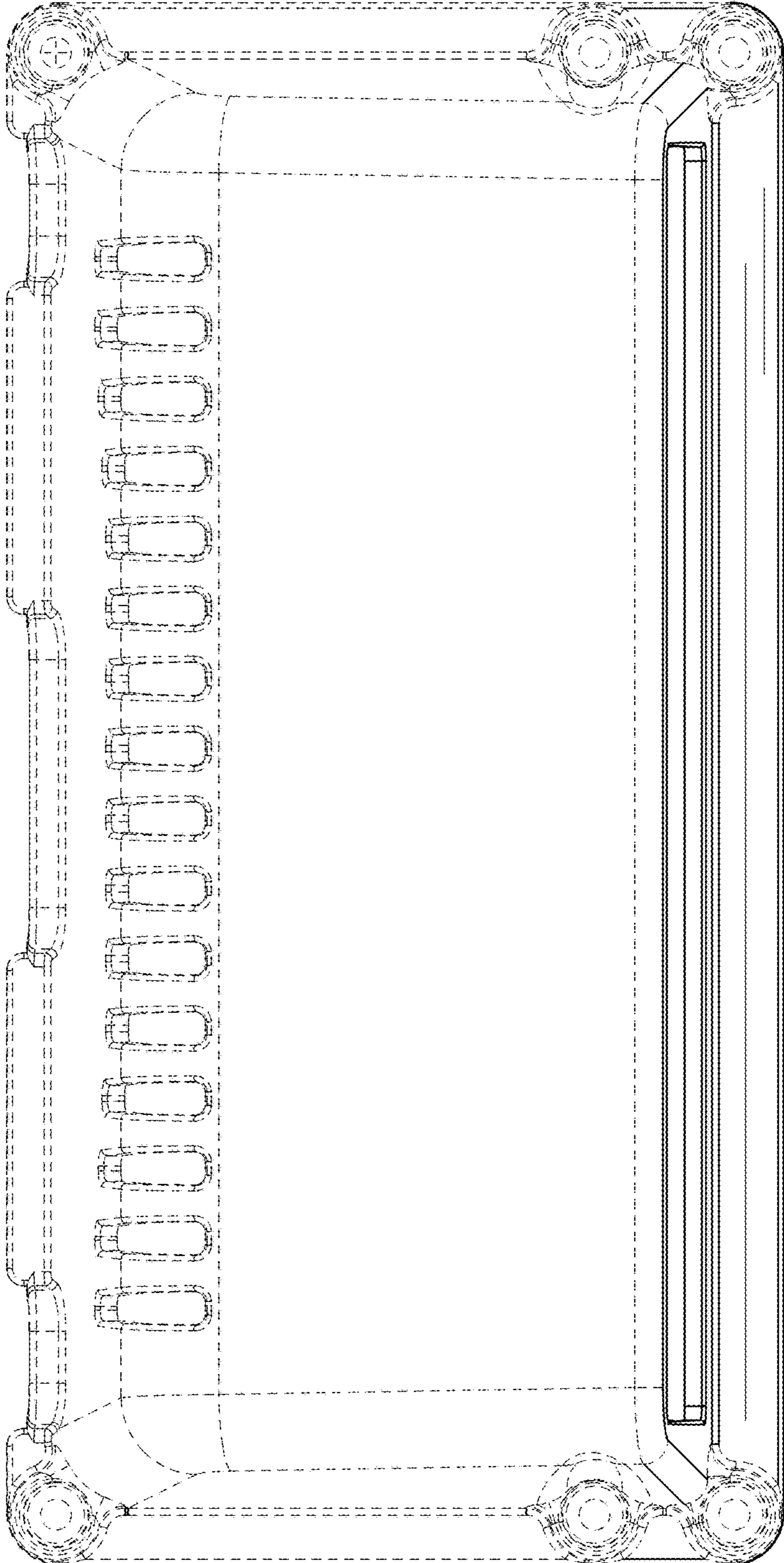


FIG. 4

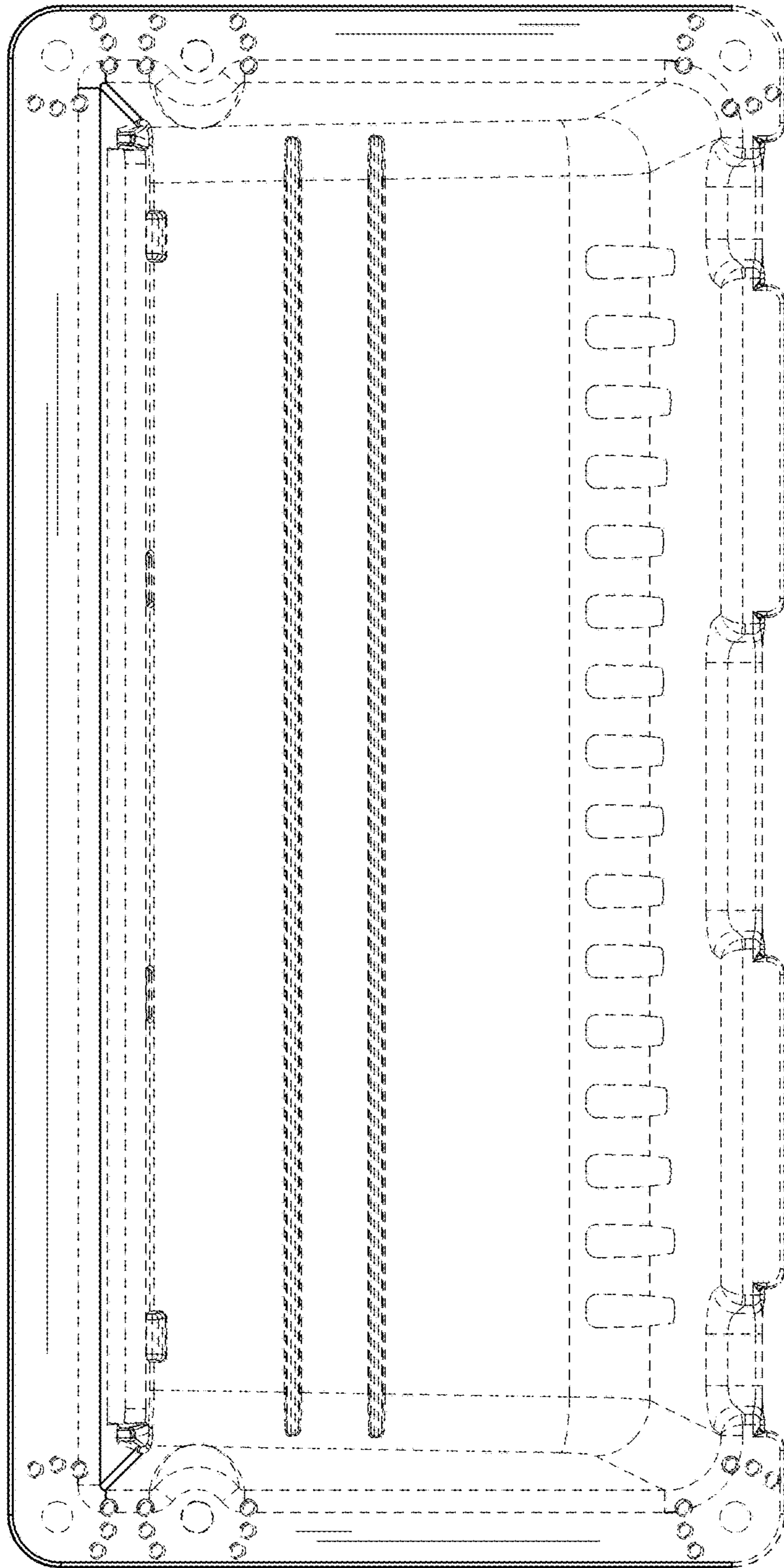


FIG. 5

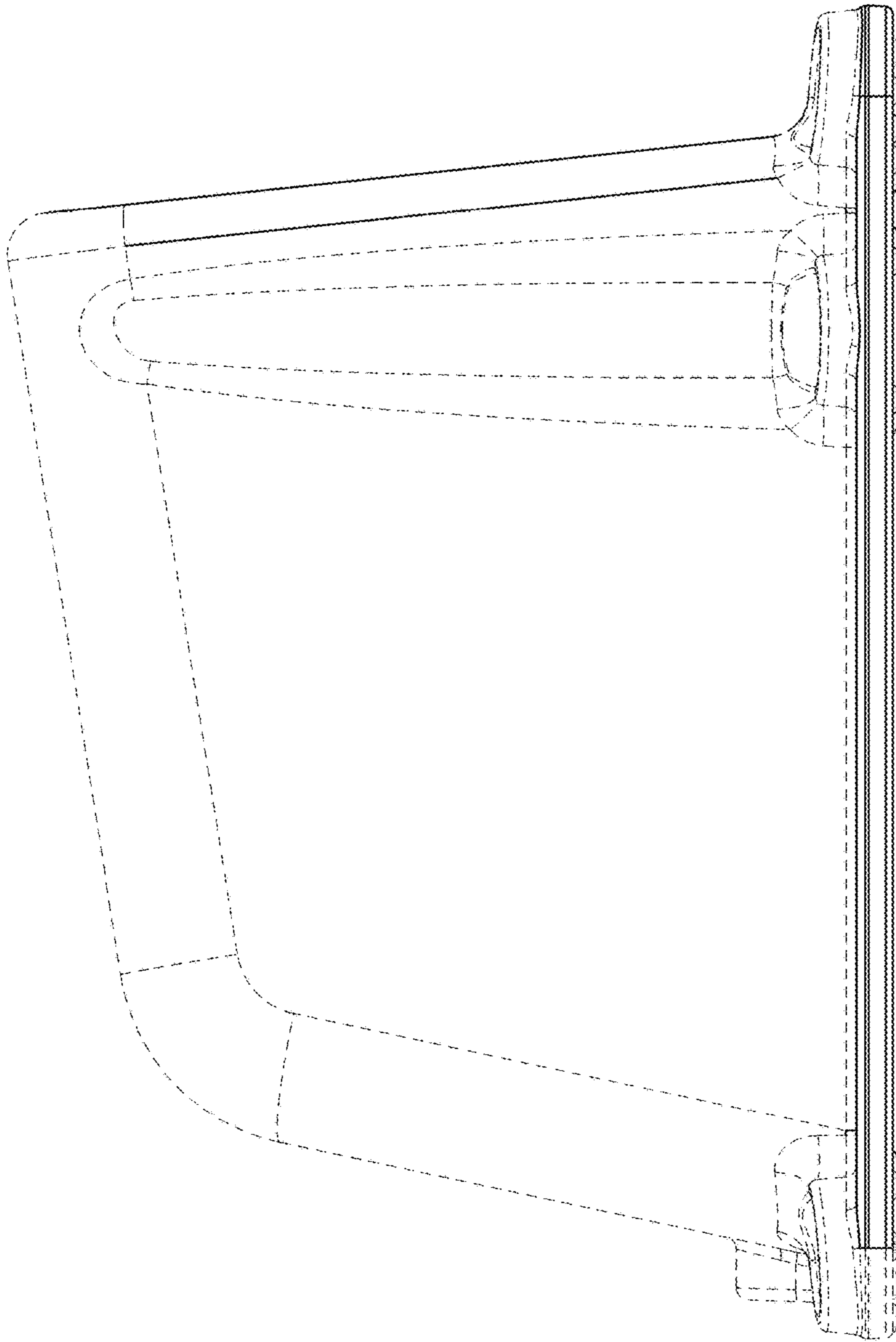


FIG. 6

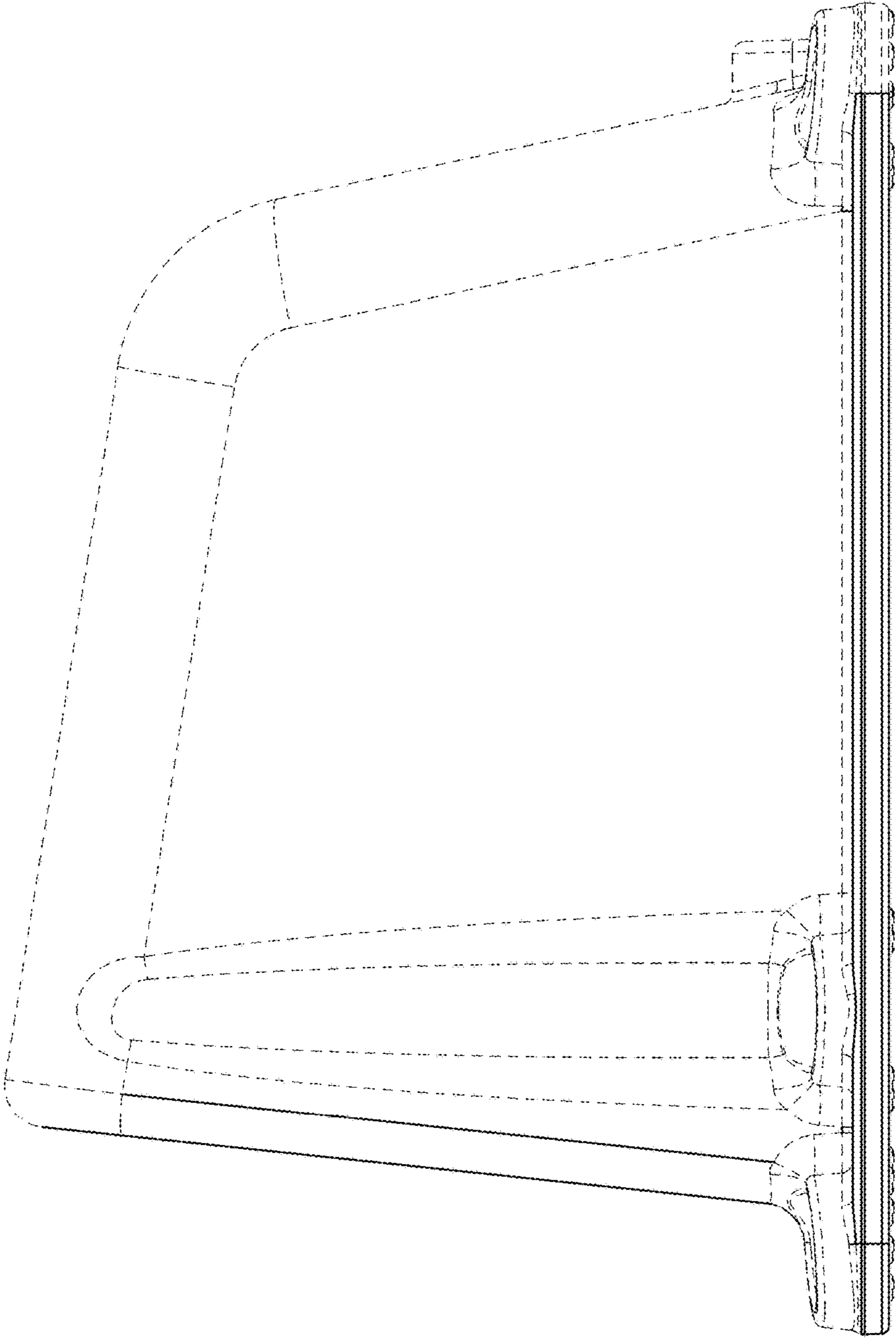


FIG. 7

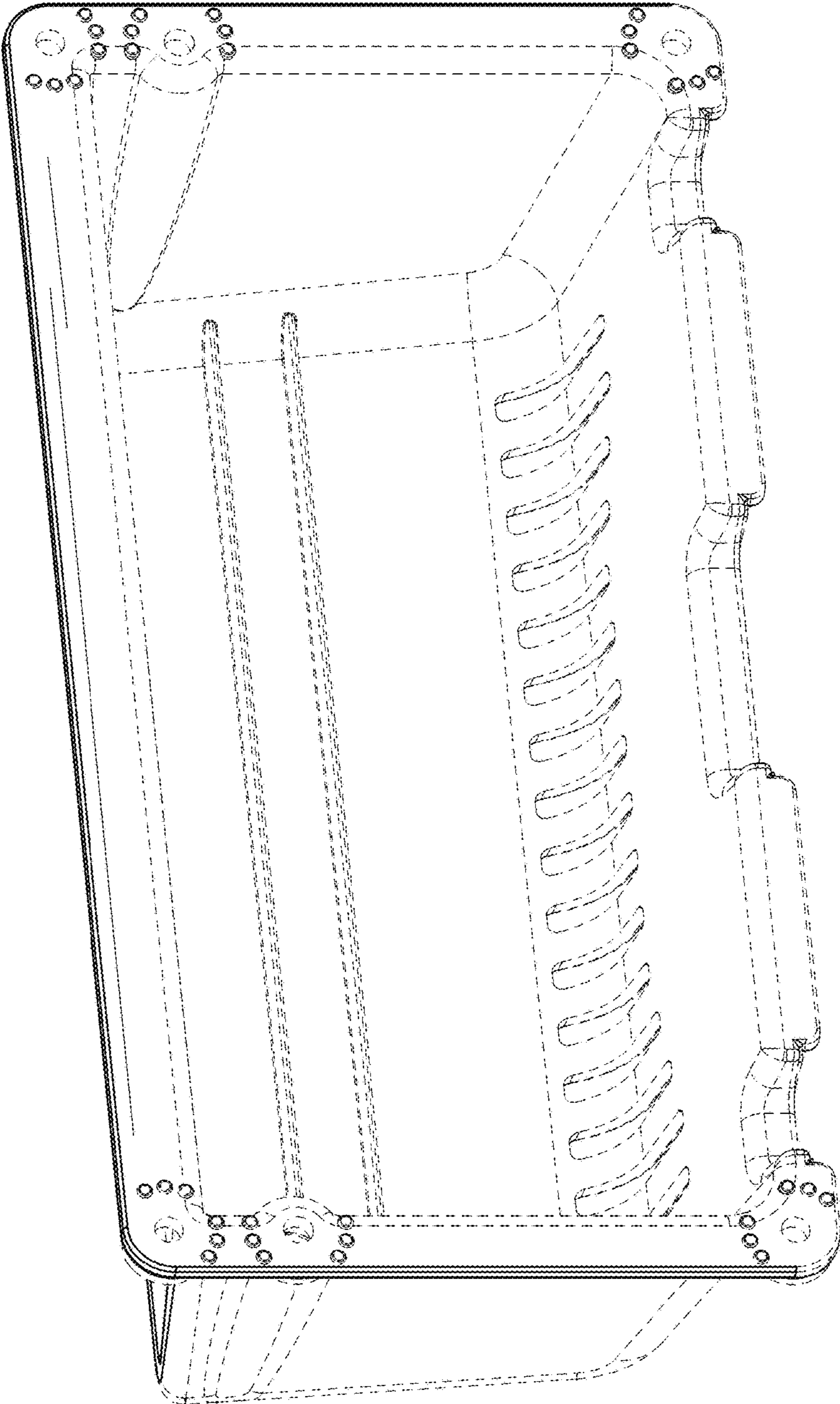


FIG. 8

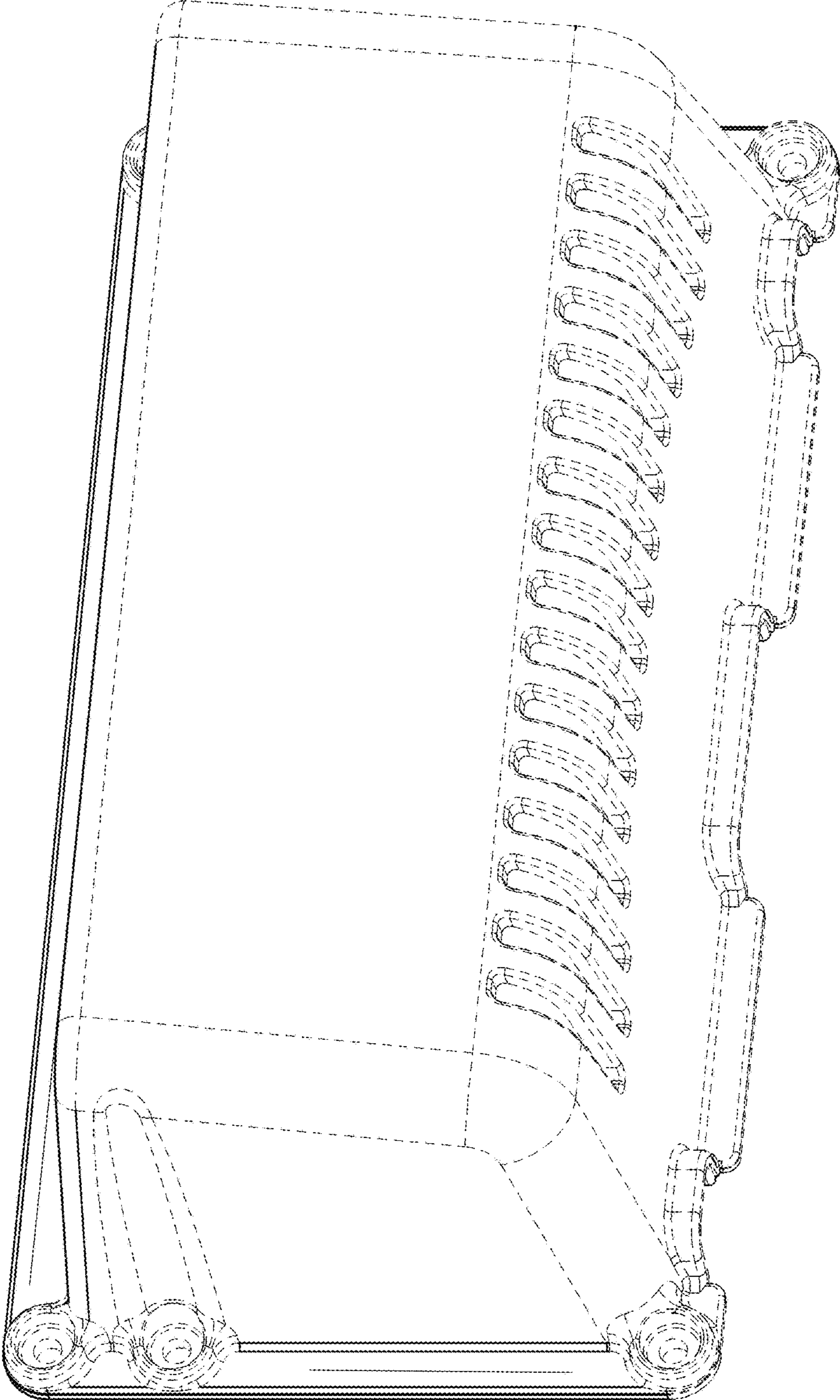


FIG. 9

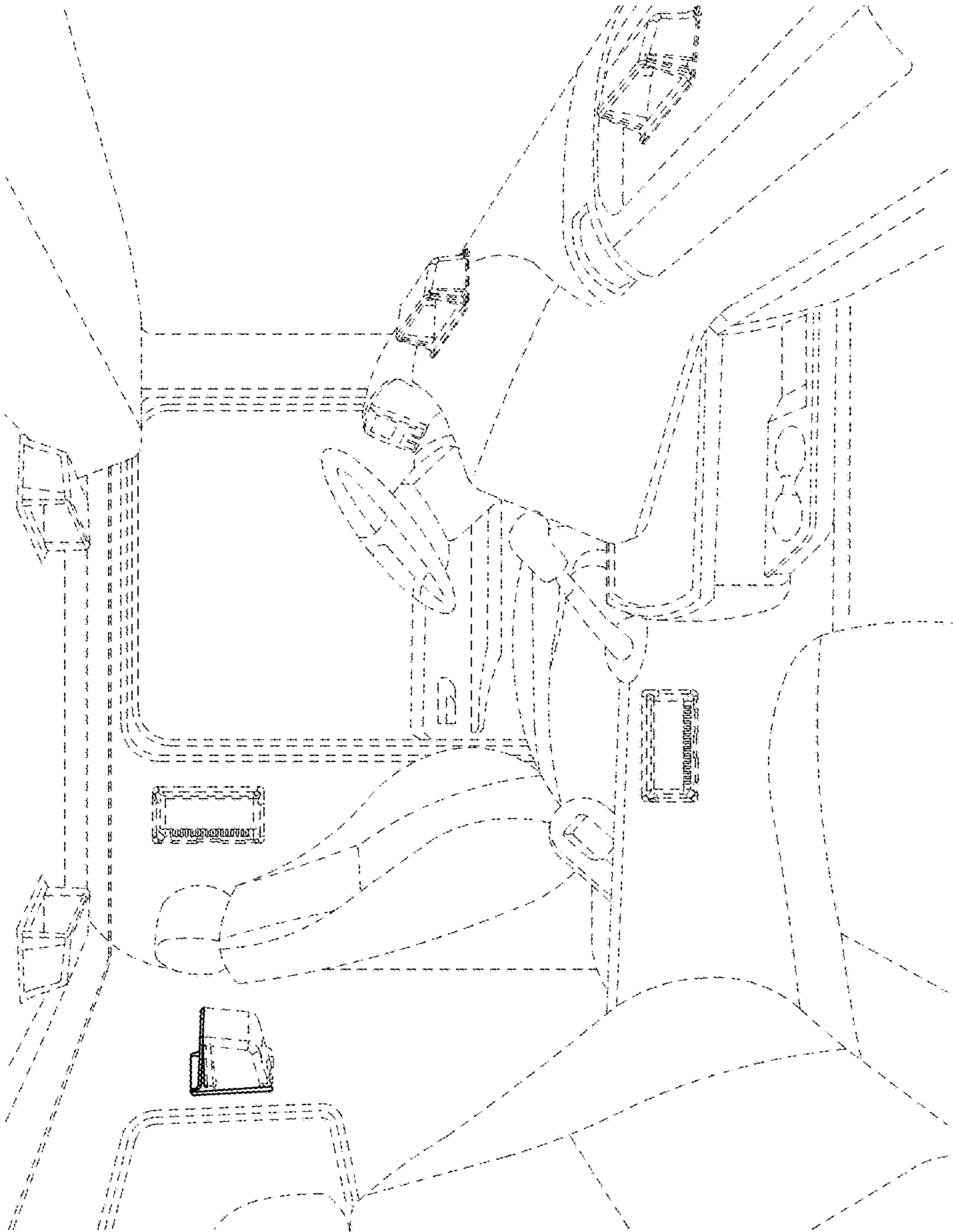


FIG. 10

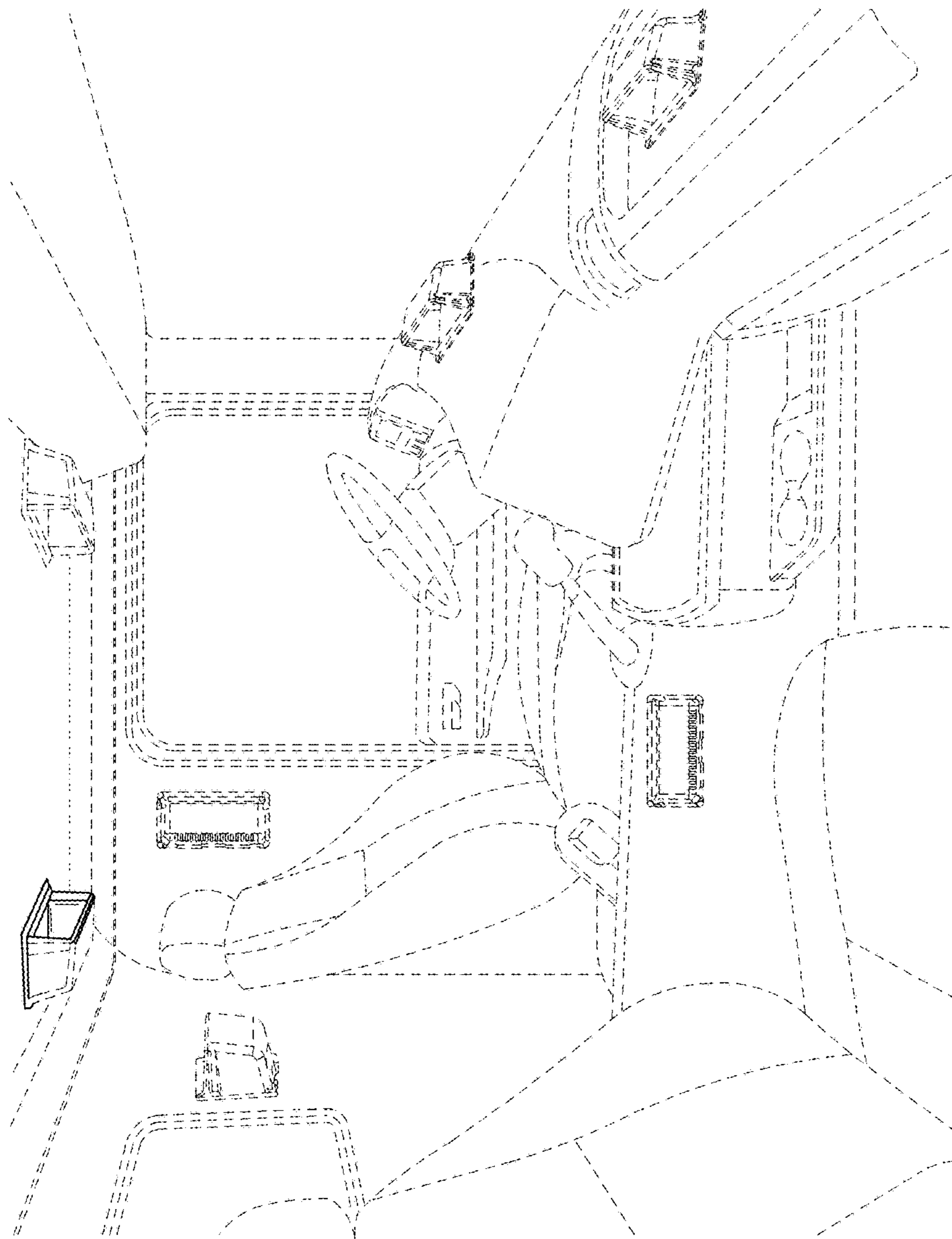


FIG. 11

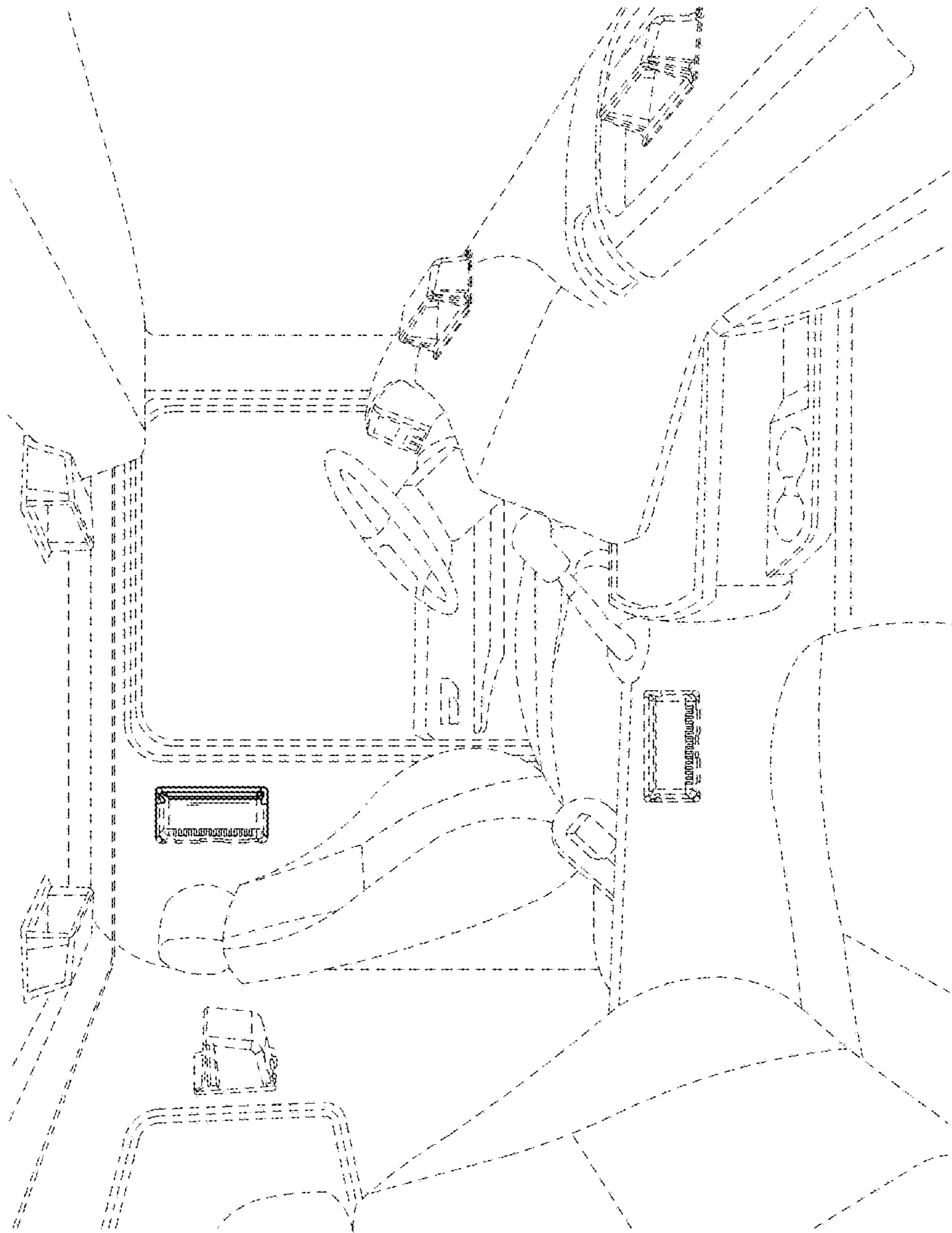


FIG. 12

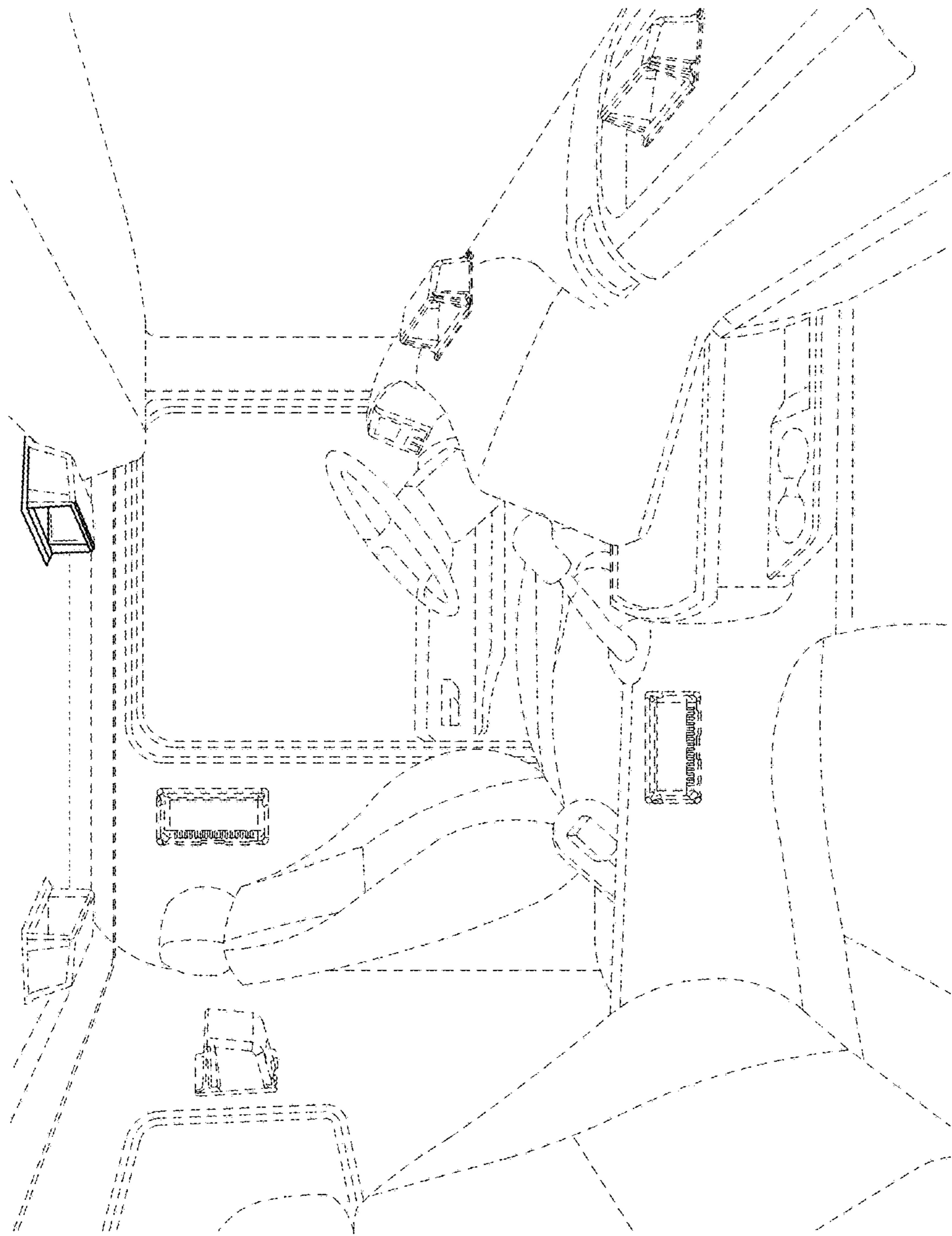


FIG. 13

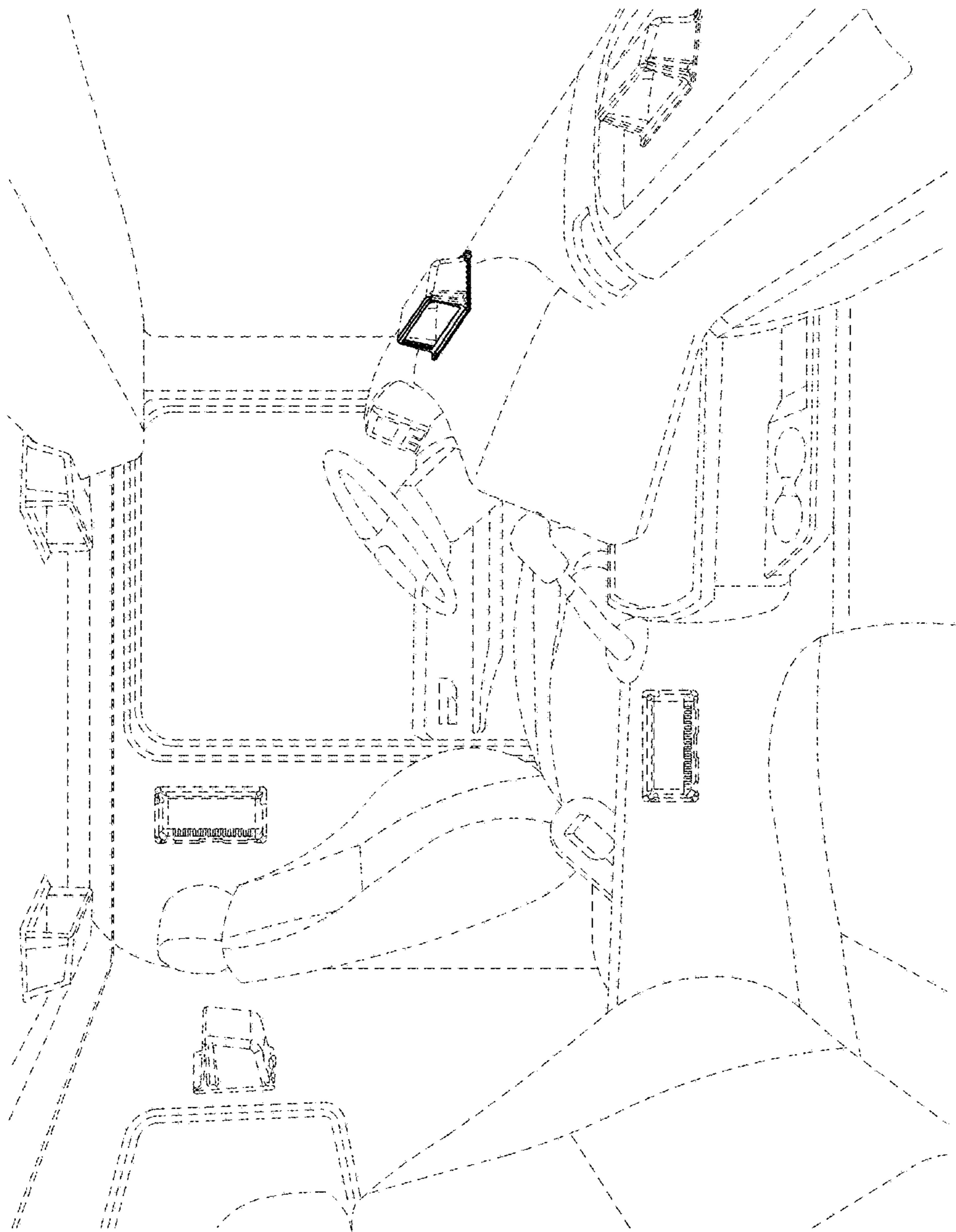


FIG. 14

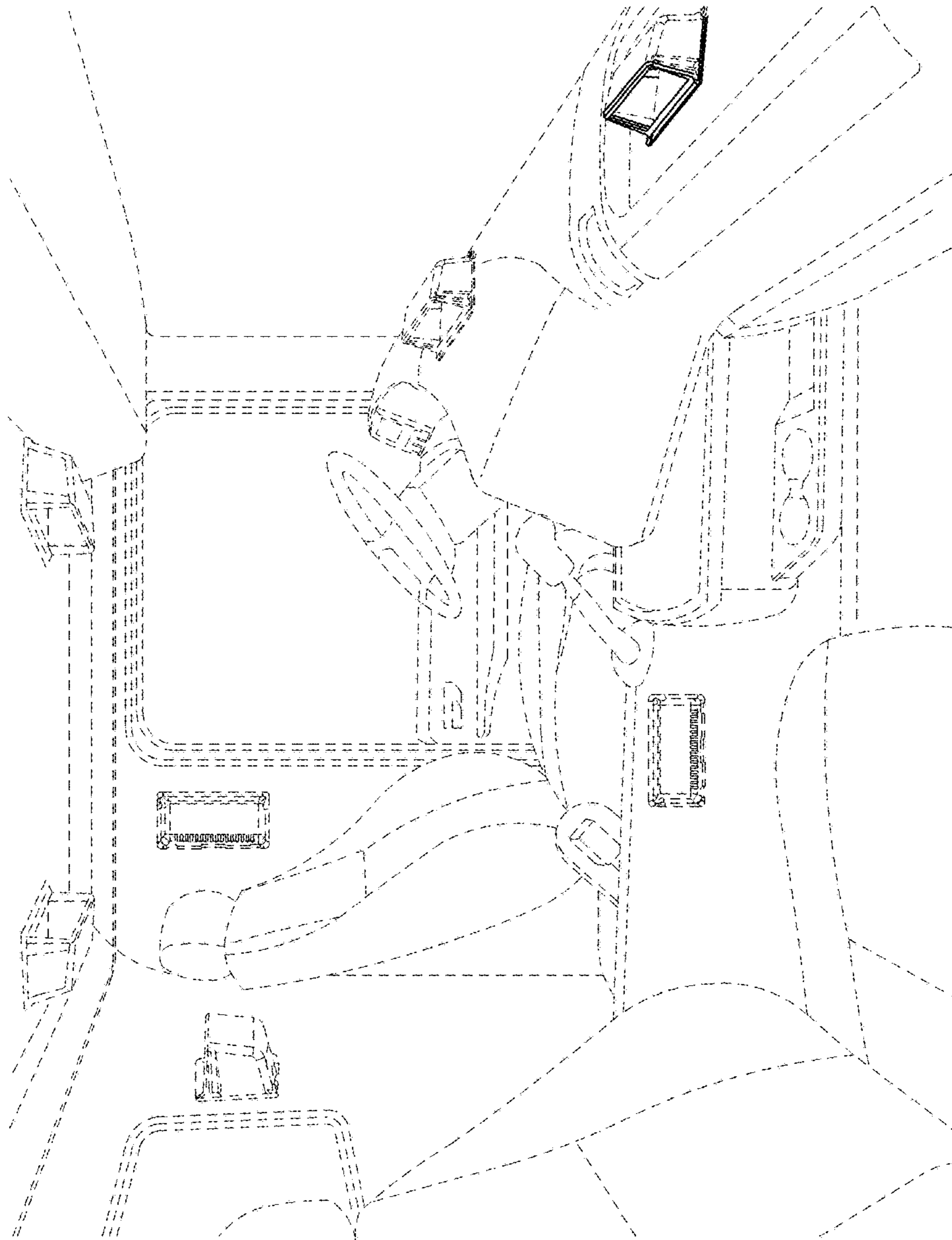


FIG. 15

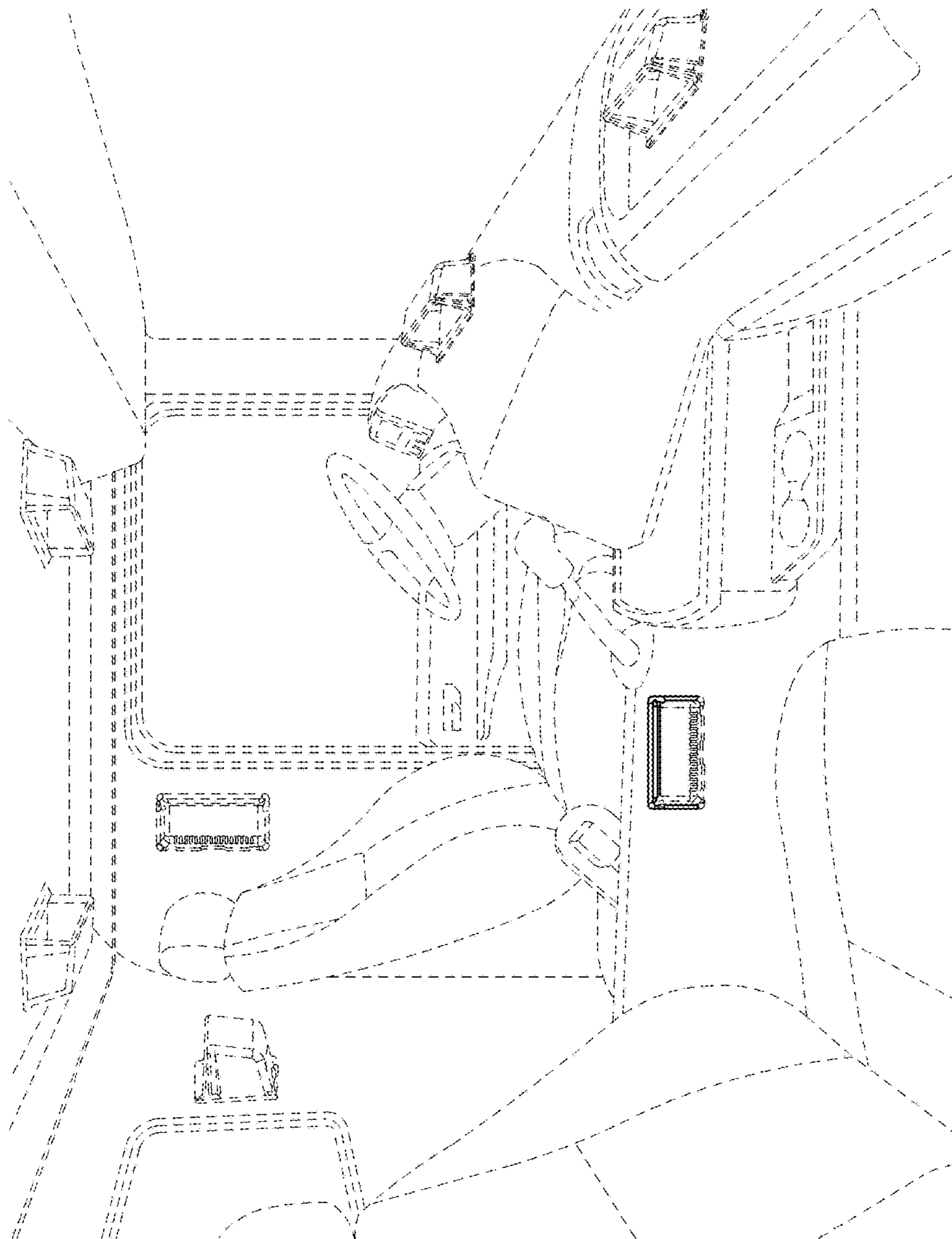


FIG. 16