



US00D813219S

(12) **United States Design Patent**
Hyun

(10) **Patent No.:** **US D813,219 S**
(45) **Date of Patent:** **** Mar. 20, 2018**

- (54) **CASE FOR ELECTRONIC COMMUNICATIONS DEVICE**
- (71) Applicant: **Young Kwang Hyun**, Seoul (KR)
- (72) Inventor: **Young Kwang Hyun**, Seoul (KR)
- (73) Assignee: **SPIGEN KOREA CO., LTD.**,
Geumcheon-Gu, Seoul (KR)
- (**) Term: **15 Years**
- (21) Appl. No.: **29/574,929**
- (22) Filed: **Aug. 19, 2016**
- (51) **LOC (11) Cl.** **14-03**
- (52) **U.S. Cl.**
USPC **D14/250**
- (58) **Field of Classification Search**
USPC D14/238.1, 440, 203.3–203.7, 217, 240,
D14/447, 250, 251–253, 248; D3/201,
D3/218, 247, 269, 273, 301, 303;
D13/103, 107–108, 119
CPC H04B 1/3888; H04M 1/0283; H04M
1/0202; A45C 1/06; A45C 2011/002;
A45C 11/00; A45C 13/02; A45F
2005/026; A45F 2200/0525; A45F
2200/0516
See application file for complete search history.

- D678,907 S * 3/2013 Lee D14/203.3
- D679,697 S 4/2013 Murchison
- D679,698 S 4/2013 Murchison
- D681,022 S 4/2013 Chang
- D683,723 S * 6/2013 Murchison D14/250
- D684,960 S * 6/2013 Murchison D14/250
- D685,776 S 7/2013 Bau

(Continued)

Primary Examiner — Carla J Wright

(74) *Attorney, Agent, or Firm* — Lucern, PC; Heedong Chae

(57) **CLAIM**

The ornamental design for a case for electronic communications device, as shown and described.

DESCRIPTION

FIG. 1 is a front perspective view of a case for an electronic communications device showing my new design; FIG. 2 is a rear perspective view thereof; FIG. 3 is a front elevational view thereof; FIG. 4 is a rear elevational view thereof; FIG. 5 is a left side elevational view thereof; FIG. 6 is a right side elevational view thereof; FIG. 7 is a top plan view thereof; FIG. 8 is a bottom plan view thereof; and, FIG. 9 is an enlarged detail view of the encircled portion of FIG. 4; the pattern shown in this enlarged detail is also representative of the pattern at the bottom rear of the case. The dot-dash broken line circle in FIGS. 4 and 9 delineates a portion of the case that is part of the claimed design and that is shown on an enlarged scale in FIG. 9. The dashed broken lines throughout the drawing figures depict portions of the case that form no part of the claimed design. The broken lines and regions bounded by dashed broken lines form no part of the claimed design. The interior of the case shown in FIGS. 1 and 3 forms no part of the claimed design.

1 Claim, 9 Drawing Sheets

(56) **References Cited**

U.S. PATENT DOCUMENTS

- D575,056 S * 8/2008 Tan D3/201
- D609,672 S 2/2010 Lee
- D632,685 S * 2/2011 Richardson D14/250
- D643,029 S 8/2011 Feng
- D657,782 S * 4/2012 Biller D14/250
- D664,133 S * 7/2012 Zheng D14/248
- D673,547 S 1/2013 Melanson
- D676,036 S * 2/2013 Chang D14/250
- D676,844 S * 2/2013 Weller D14/250



(56)

References Cited

U.S. PATENT DOCUMENTS

D691,122 S *	10/2013	Bau	D14/250	9,293,808 B1	3/2016	Roberts	
D691,124 S *	10/2013	Yang	D14/250	D753,099 S *	4/2016	Kim D14/250
D700,174 S	2/2014	Li		D756,340 S *	5/2016	Babichenko D14/250
D703,652 S *	4/2014	Melanson	D14/250	D757,699 S *	5/2016	Lee D14/248
D704,688 S	5/2014	Reivo		D763,841 S	8/2016	Kim	
D712,386 S *	9/2014	Lu	D14/250	D764,476 S *	8/2016	Gleason, III D14/440
D714,274 S *	9/2014	Jung	D14/250	D765,644 S	9/2016	Witter	
D714,276 S *	9/2014	Hu	D14/250	D767,553 S	9/2016	Fathollahi	
D717,286 S	11/2014	Veldkamp		D771,607 S *	11/2016	Kim D14/250
D717,774 S	11/2014	Fathollahi		D771,608 S	11/2016	Kim	
D717,778 S	11/2014	Zermenon		D772,209 S	11/2016	Kim	
D718,292 S	11/2014	Hemesath		D772,854 S *	11/2016	Lgarashi D14/250
D721,065 S *	1/2015	Yoon	D14/250	D772,858 S	11/2016	Hu	
D721,067 S *	1/2015	Su	D14/250	9,480,318 B2	11/2016	Stiehl	
9,004,275 B2 *	4/2015	Lee	A45C 11/00 206/320	D774,498 S	12/2016	Tao	
9,143,181 B1 *	9/2015	Jia	H04B 1/3888	D775,112 S	12/2016	Hemesath	
D741,845 S	10/2015	Kim		D775,614 S	1/2017	Kim	
D743,389 S	11/2015	Akana		D777,717 S	1/2017	Kim	
D746,275 S	12/2015	Mohammad		D779,470 S	2/2017	Kim	
9,223,346 B2	12/2015	Wilson		D781,835 S	3/2017	Kim	
D748,614 S	2/2016	Ju		D781,837 S	3/2017	Kim	
D749,068 S	2/2016	Zaborski		D781,838 S	3/2017	Kim	
D749,555 S	2/2016	Poon		9,628,133 B2 *	4/2017	Kim H04B 1/3888
9,247,795 B2	2/2016	Kim		9,661,116 B1 *	5/2017	Chung H04M 1/21
D751,058 S *	3/2016	Cocchia	D14/250	2016/0101902 A1	4/2016	Kim	
					2016/0204817 A1	7/2016	Kim	
					2016/0285301 A1 *	9/2016	Kim H02J 7/025
					2017/0123217 A1 *	5/2017	Dukerschein G02B 27/04

* cited by examiner

FIG. 1

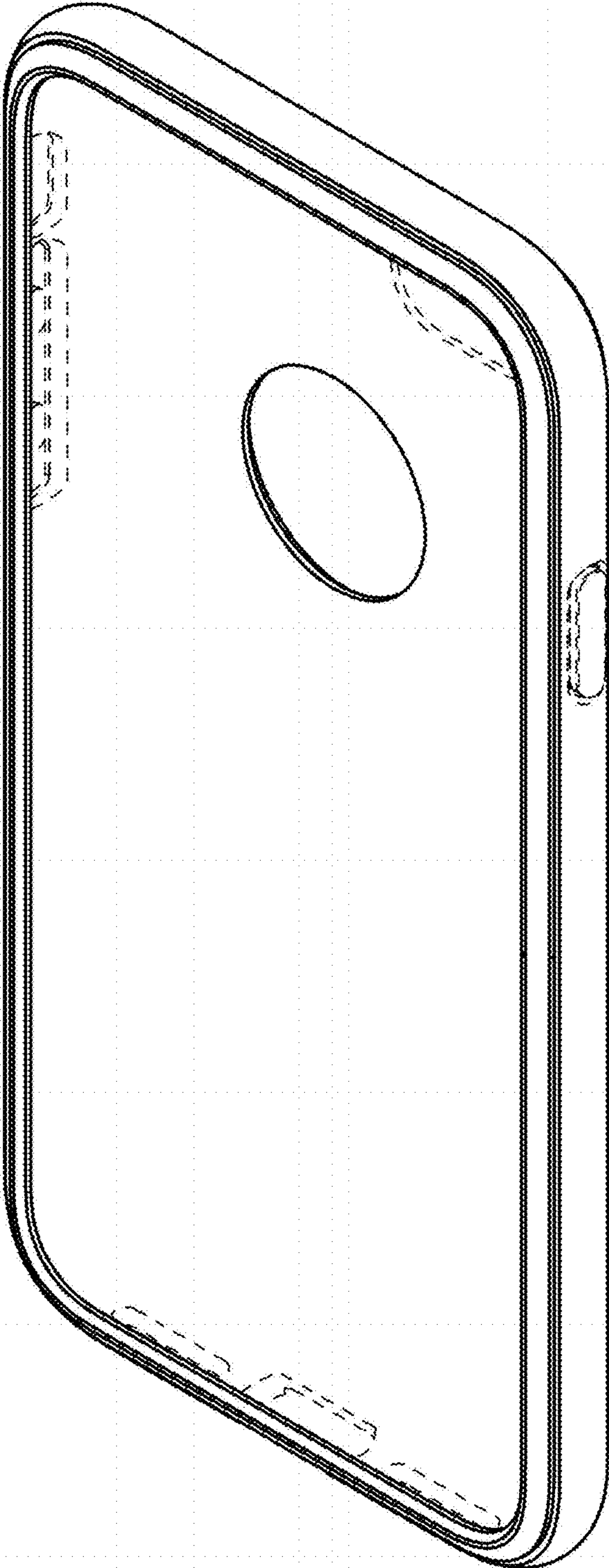


FIG. 2

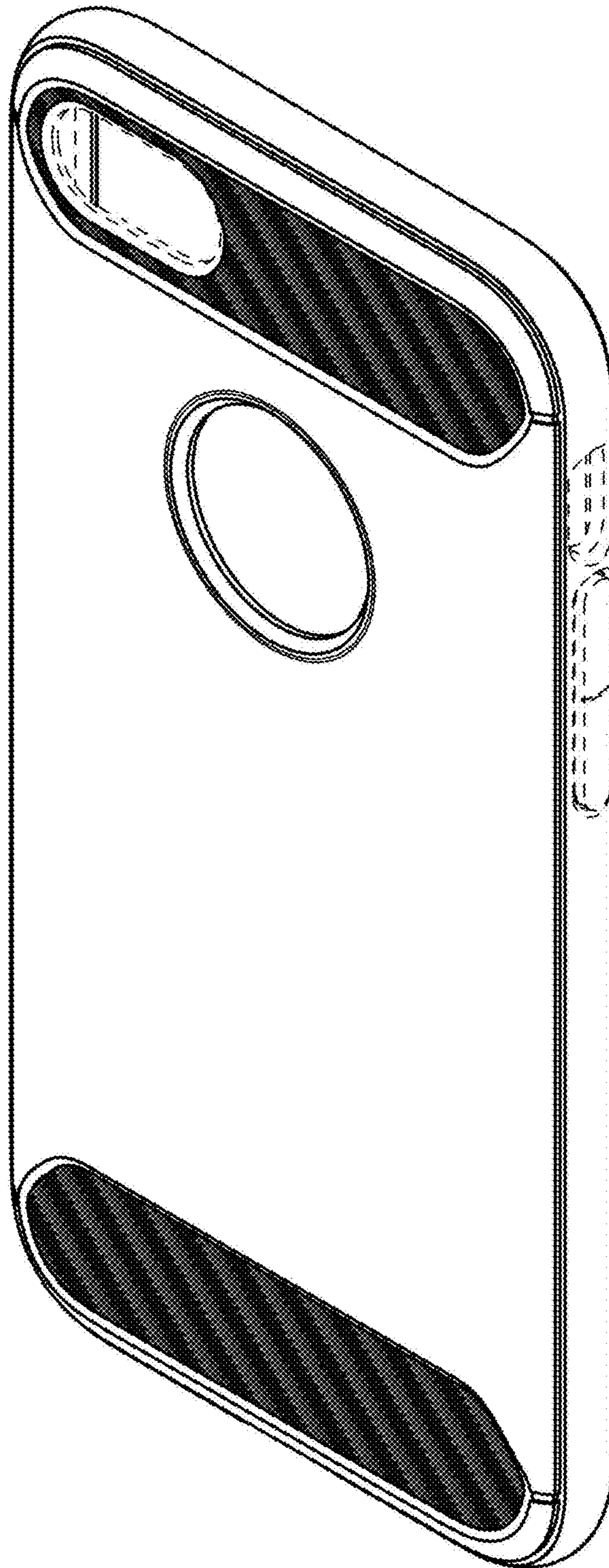


FIG. 3

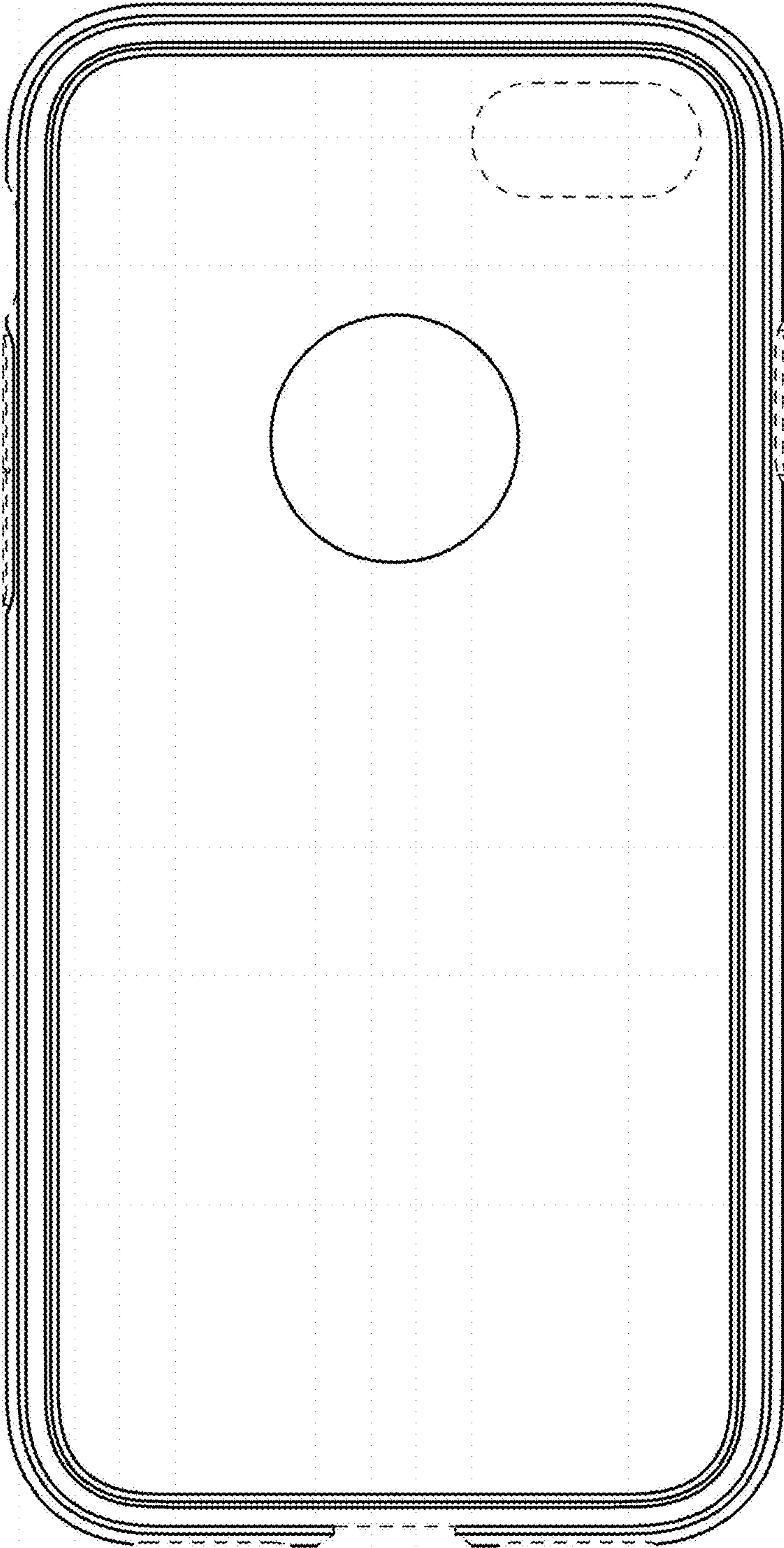


FIG. 4

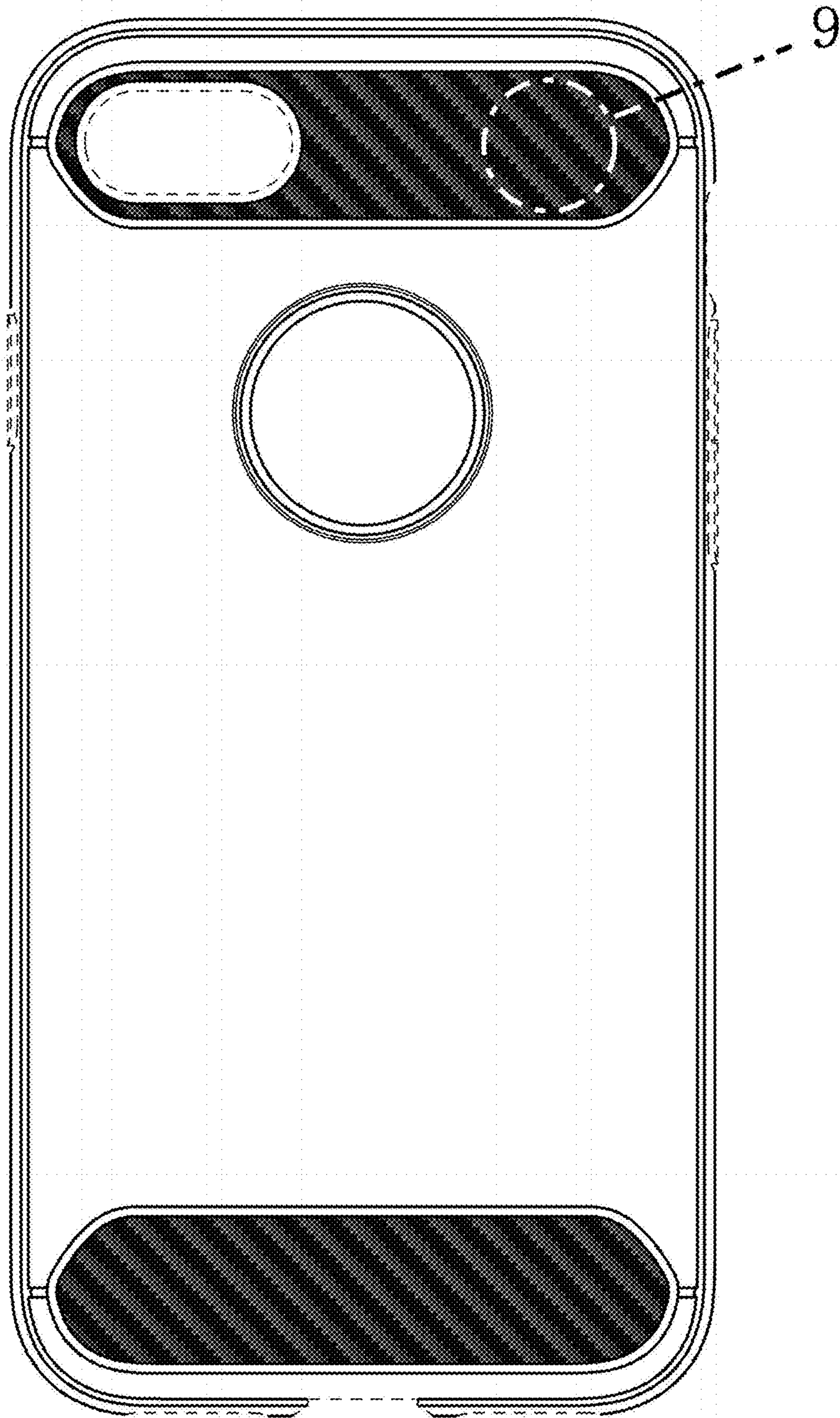


FIG. 5

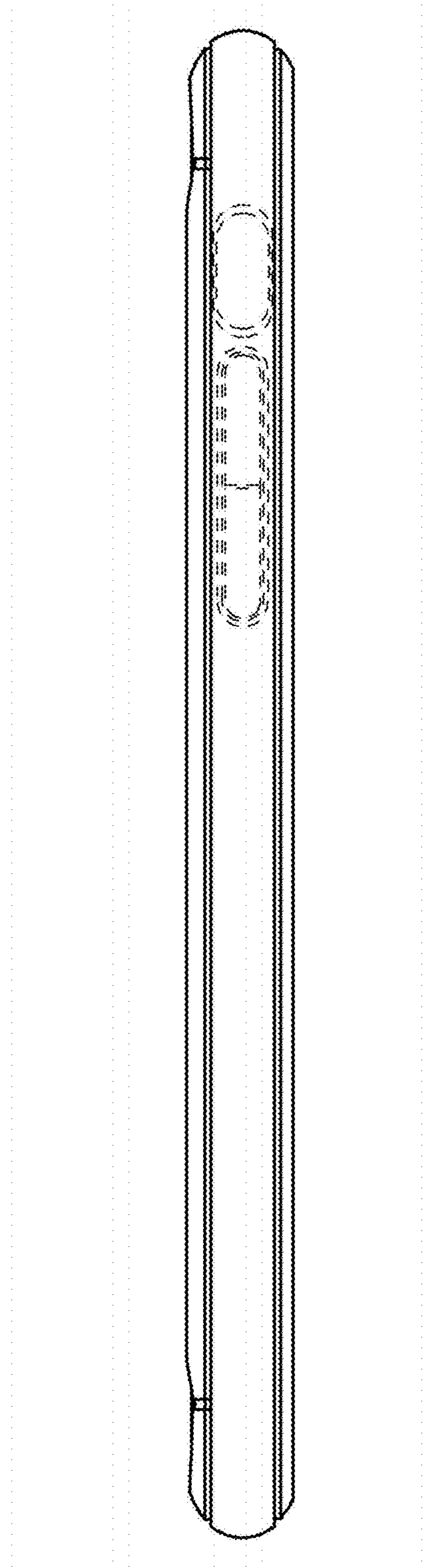


FIG. 6

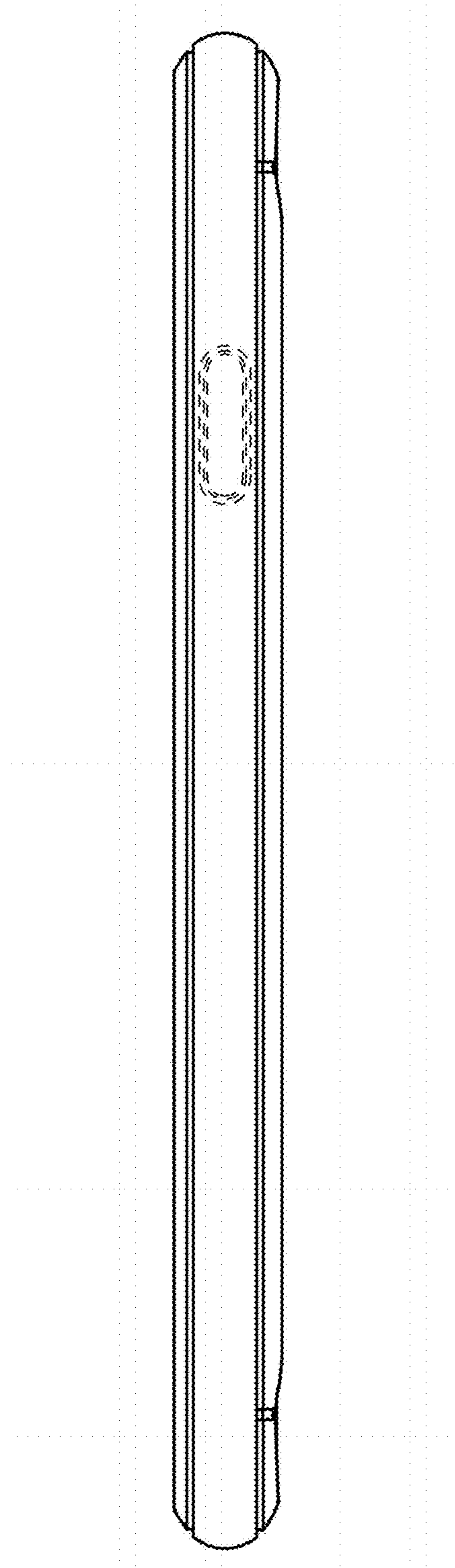


FIG. 7

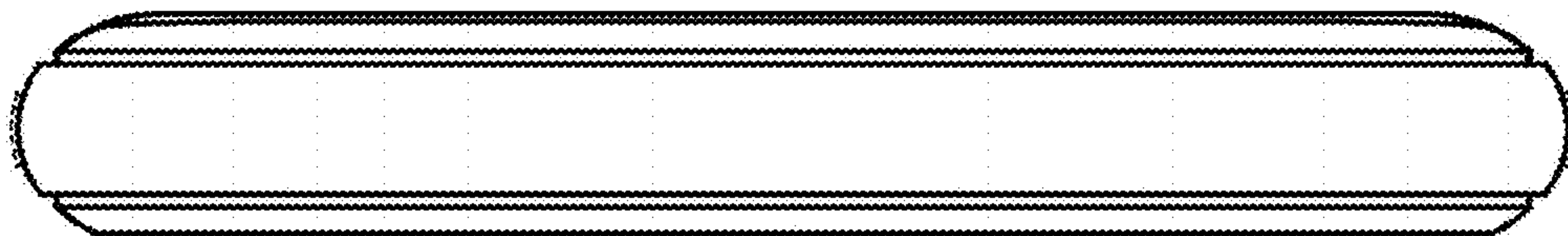


FIG. 8

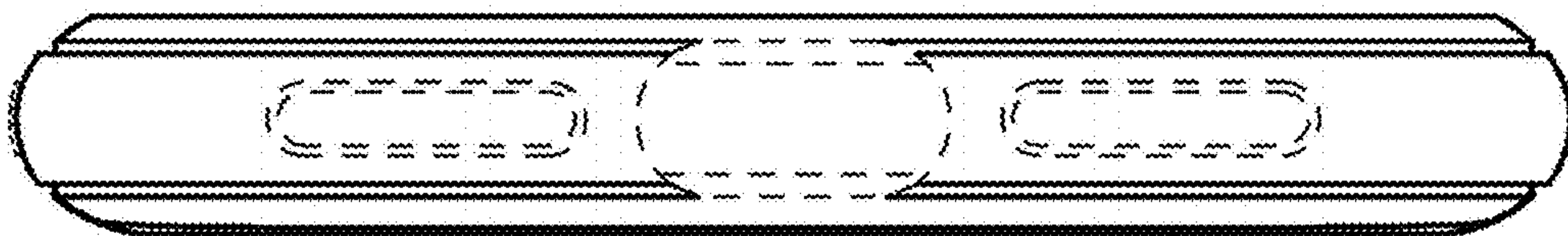


FIG. 9

