



US00D813218S

(12) **United States Design Patent**
Igarashi

(10) **Patent No.:** **US D813,218 S**
(45) **Date of Patent:** **** Mar. 20, 2018**

(54) **CASE FOR PROTECTING A MOBILE DEVICE**

(71) Applicant: **Power Support Co., Ltd.**, Tokyo (JP)

(72) Inventor: **Katsushi Igarashi**, Tokyo (JP)

(73) Assignee: **Power Support Co., Ltd.**, Tokyo (JP)

(**) Term: **15 Years**

(21) Appl. No.: **29/568,276**

(22) Filed: **Jun. 16, 2016**

(30) **Foreign Application Priority Data**

Dec. 17, 2015 (JP) 2015-28153

(51) **LOC (11) Cl.** **14-03**

(52) **U.S. Cl.**
USPC **D14/250**

(58) **Field of Classification Search**
USPC D14/250; D25/119, 121, 136, 164;
D6/300-302, 308, 310-313; D19/88
CPC A45C 2011/002
See application file for complete search history.

(56) **References Cited**

U.S. PATENT DOCUMENTS

- 5,134,817 A * 8/1992 Richardt A01G 1/08
404/7
- 5,265,720 A * 11/1993 Meliconi H01H 9/0242
150/165
- D385,872 S 11/1997 Nakamura
- D409,394 S * 5/1999 Zaidman D6/301
- D441,735 S 5/2001 Katayama
- D506,476 S 6/2005 Andre et al.
- D539,814 S 4/2007 Andre et al.
- D576,432 S * 9/2008 Siekmann D6/300
- D590,826 S 4/2009 Andre et al.
- 7,536,825 B2 * 5/2009 Perotti E01F 9/535
404/34
- D593,994 S 6/2009 Andre et al.
- D597,090 S 7/2009 Bemelmans

(Continued)

FOREIGN PATENT DOCUMENTS

JP 3186391 U 9/2013

OTHER PUBLICATIONS

Mophie's Juice Packs for iPhone 6, posted at 9to5mac.com, posting date Apr. 11, 2015, [online], [site visited Jul. 27, 2017]. Available from Internet, URL: <https://9to5mac.com/2015/04/11/review-mophiesjuicepacksforiphone66plusarepolishedbatterycasesatpremiumprices/>.*

(Continued)

Primary Examiner — George D. Kirschbaum

Assistant Examiner — Maria J Edwards

(74) *Attorney, Agent, or Firm* — Maier & Maier, PLLC

(57) **CLAIM**

The ornamental design for a case for protecting a mobile device, as shown and described.

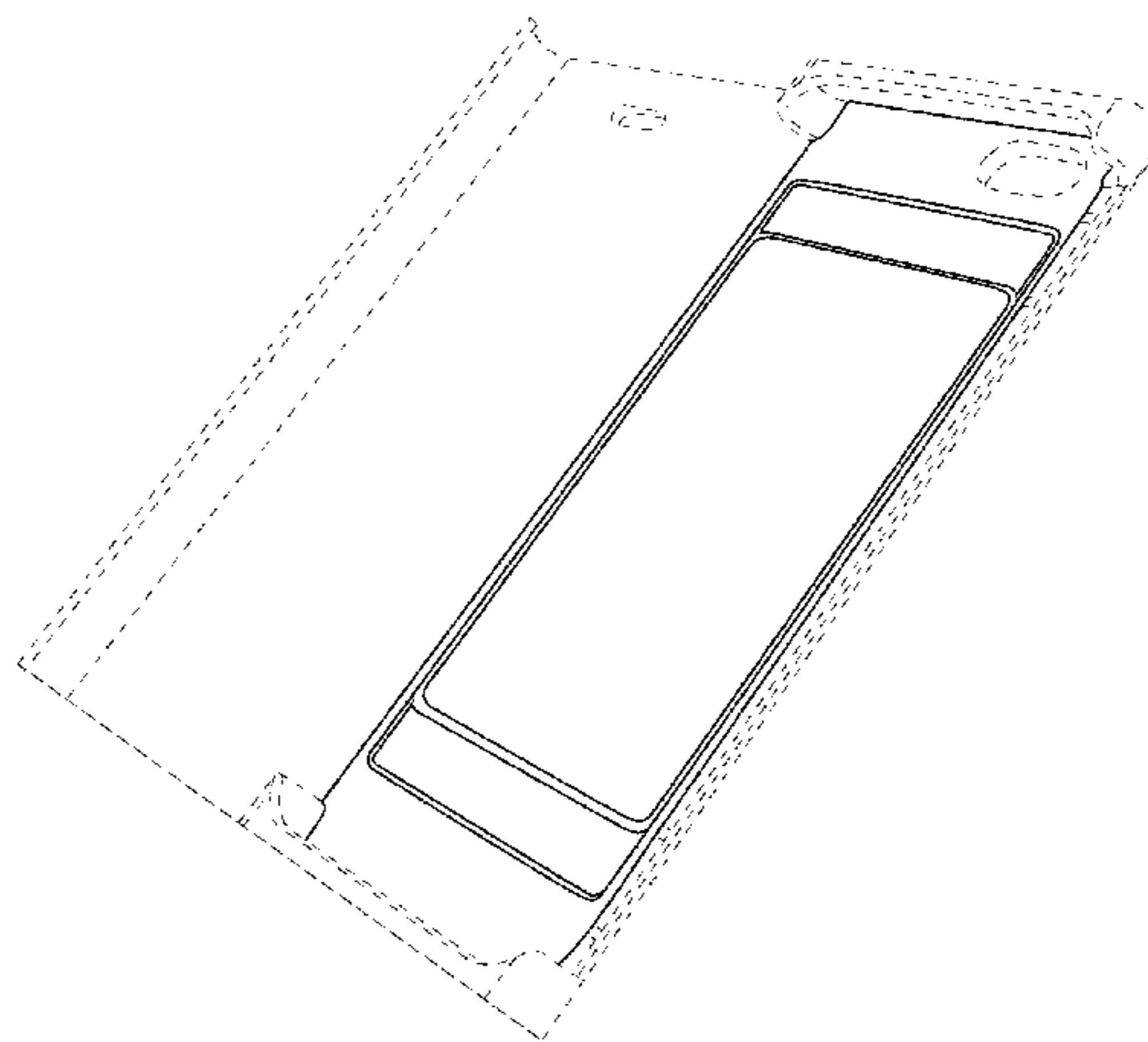
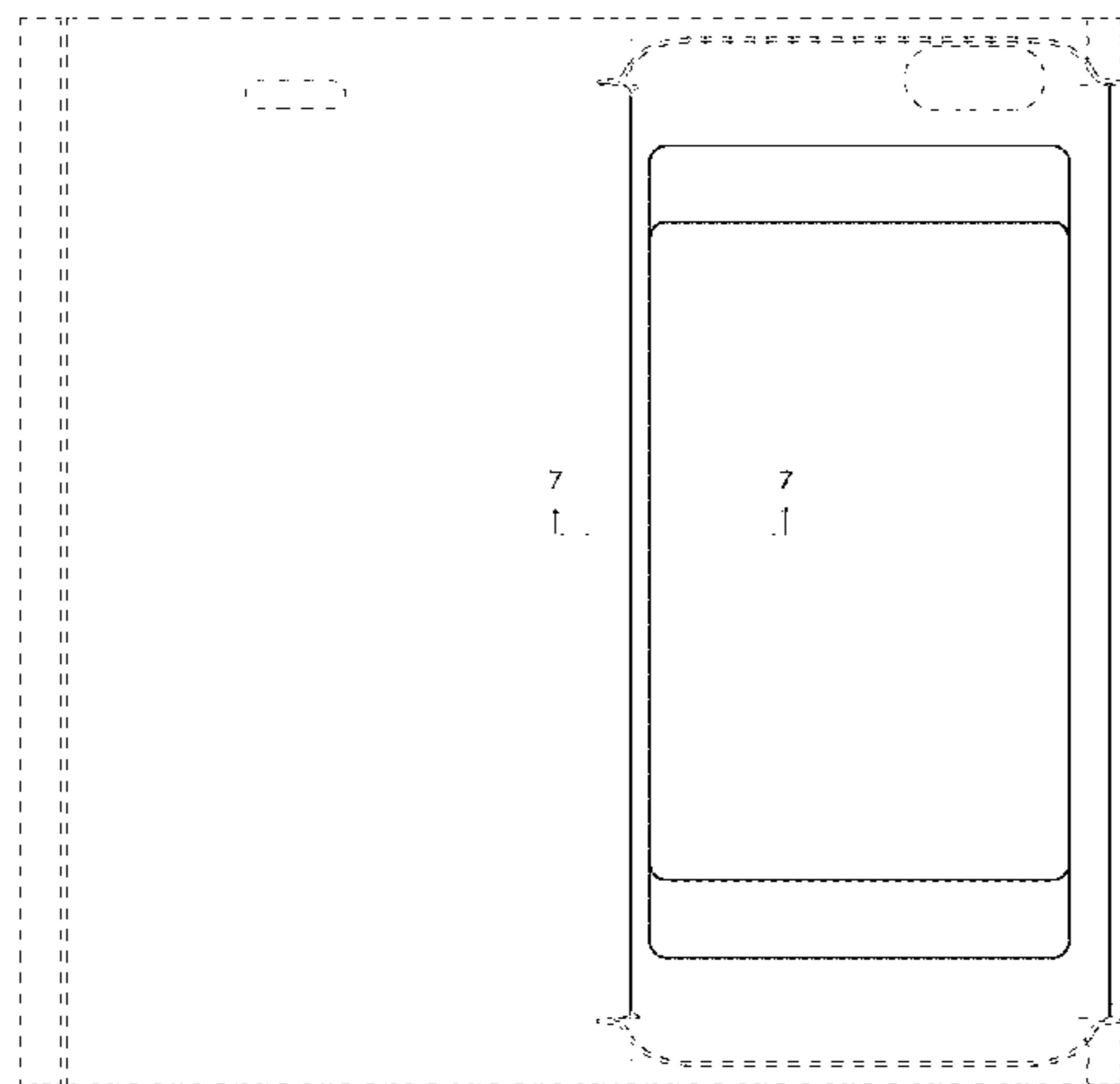
DESCRIPTION

FIG. 1 is a front elevation view of a case for protecting a mobile device;
FIG. 2 is a rear elevation view thereof;
FIG. 3 is a right elevation view thereof;
FIG. 4 is a left elevation view thereof;
FIG. 5 is a top plan view thereof;
FIG. 6 is a bottom plan view thereof;
FIG. 7 is a cross-sectional view thereof, along line 7-7 in FIG. 1; and,
FIG. 8 is a front perspective view thereof.

The dashed broken lines in the Figures illustrate portions of the article and form no part of the claimed design.

The dot-dash broken lines in the Figures illustrate a boundary line. The boundary lines and the area outside the boundary lines form no part of the claimed design.

1 Claim, 5 Drawing Sheets



(56)

References Cited

U.S. PATENT DOCUMENTS

7,609,512 B2 * 10/2009 Richardson G06F 1/1626
361/679.02

D637,583 S 5/2011 Beal et al.
D638,030 S 5/2011 Akana et al.
D638,443 S 5/2011 Akana et al.
D647,921 S 11/2011 Akana et al.
D649,268 S * 11/2011 Wink D25/164
8,073,131 B2 * 12/2011 Bodkin A45C 3/001
132/309

D653,675 S 2/2012 Akana et al.
D656,123 S 3/2012 Andre et al.
D656,497 S 3/2012 Chiu
D656,955 S 4/2012 Akana et al.
D657,381 S 4/2012 Akana et al.
D663,320 S 7/2012 Akana et al.
D663,554 S * 7/2012 Siekmann D6/703.2
D664,994 S 8/2012 Akana et al.
D664,995 S 8/2012 Akana et al.
D669,915 S 10/2012 Akana et al.
D678,909 S 3/2013 Akana et al.
8,509,865 B1 * 8/2013 LaColla H04M 1/04
455/556.1

D697,507 S 1/2014 Yu et al.
D706,300 S 6/2014 Akana et al.
D716,253 S 10/2014 Lee et al.
9,077,436 B1 7/2015 Liu
9,223,346 B2 * 12/2015 Wilson H04B 1/3888
D746,801 S * 1/2016 Pan D14/250
D750,617 S 3/2016 Akana et al.
D754,656 S 4/2016 Cheng et al.

D755,153 S * 5/2016 Steiner D14/138 R
D756,996 S 5/2016 Akana et al.
D757,714 S 5/2016 Akana et al.
D757,716 S 5/2016 Park et al.
D761,251 S 7/2016 Senda
D780,179 S 2/2017 Bae et al.
D784,322 S 4/2017 Kim et al.
D784,323 S 4/2017 Kim et al.
D789,925 S 6/2017 Browning et al.
2007/0225031 A1 * 9/2007 Bodkin A45C 3/001
455/550.1

OTHER PUBLICATIONS

Wonderful Things Factory Minimalist iPhone case, posted at coolpile.com, posting date not given, [online], [site visited Jul. 28, 2017]. URL:<http://coolpile.com/gear-magazine/slimclip-minimalist-iphone-case-enhanced-clip-capabilities/attachment/wonderful-things-factory-slipcase-minimalist-iphone-case-red-case-inside>.*
Japanese Office Action dated Aug. 9, 2016, in connection with corresponding JP Application No. 2015-028153 (4 pgs., including English translation).
Webpage: <https://www.pcreview.co.uk/articles/ipod-nano.37/>, "ipod nano review", dated Aug. 10, 2017, 12 pgs.
Webpage: <https://www.applematters.com/article/ipon-nano-product-red-review/>, ipon Nano (Product) Red—Review, dated Aug. 10, 2017, 9 pgs.
Webpage: <https://www.moderndesign.org/2006/11/>, dated Aug. 10, 2017, 23 pgs.

* cited by examiner

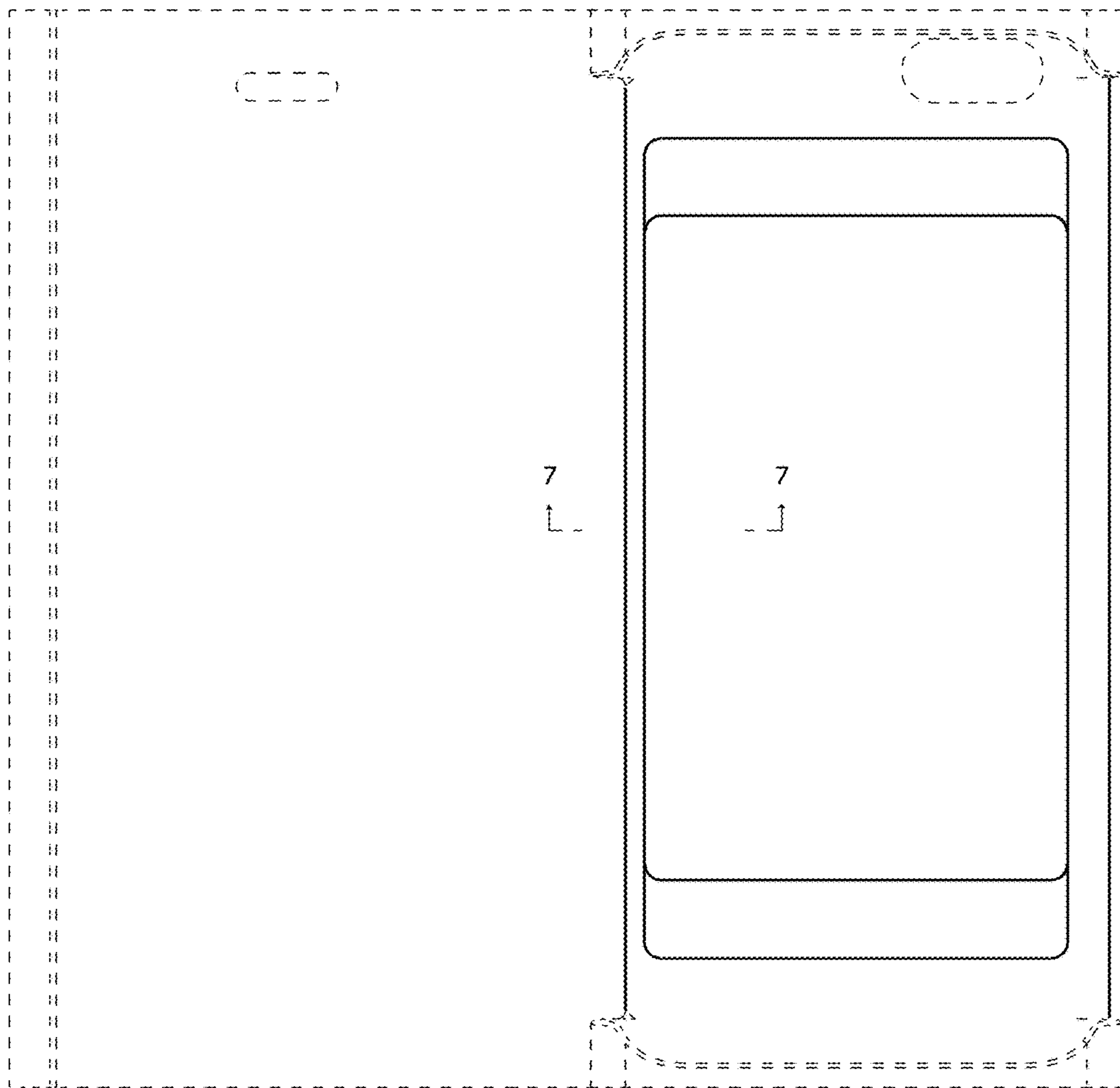


Fig. 1

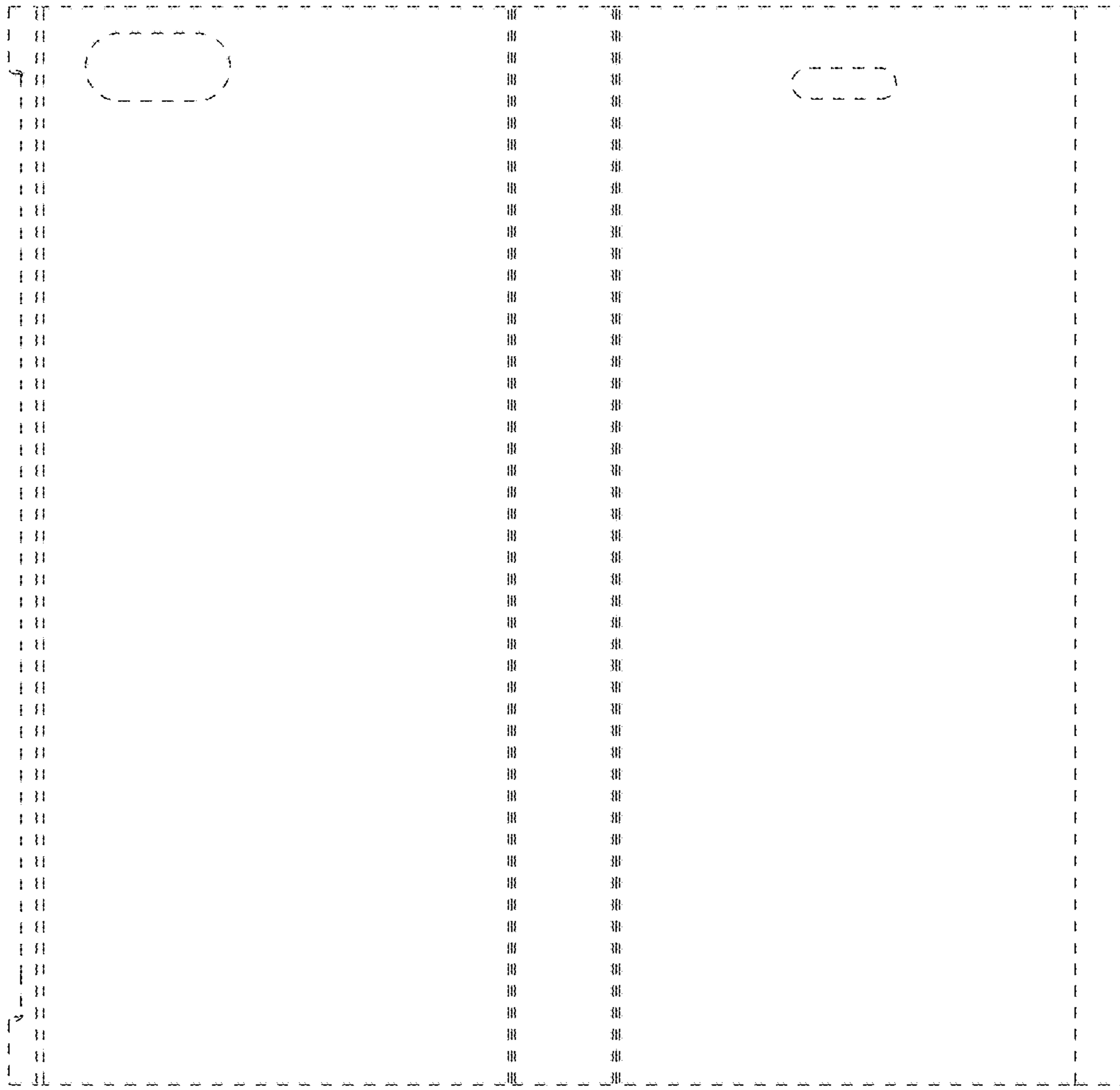


Fig. 2

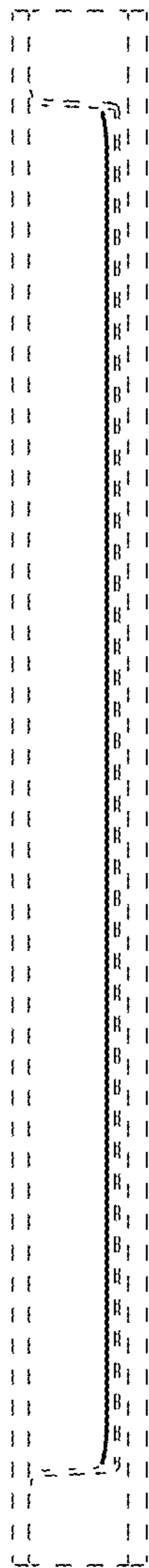


Fig. 3

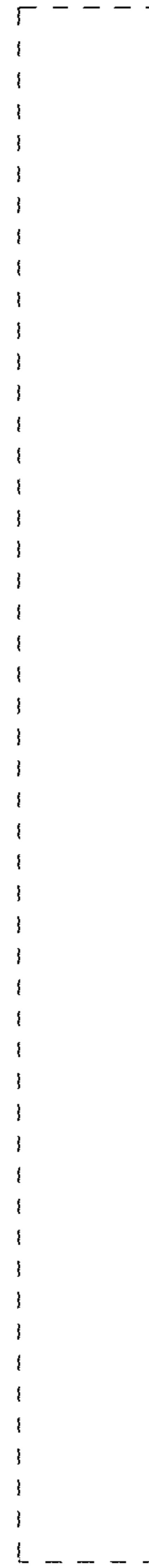


Fig. 4

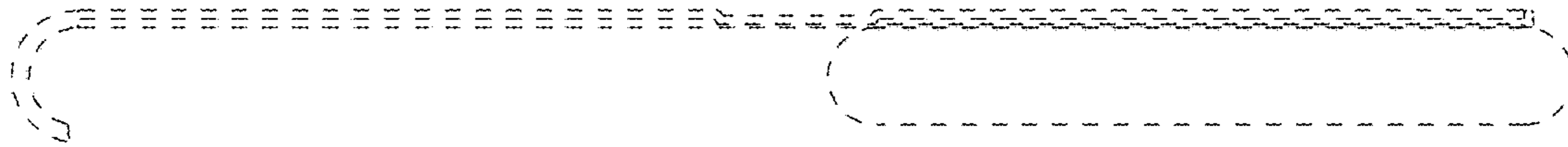


Fig. 5



Fig. 6

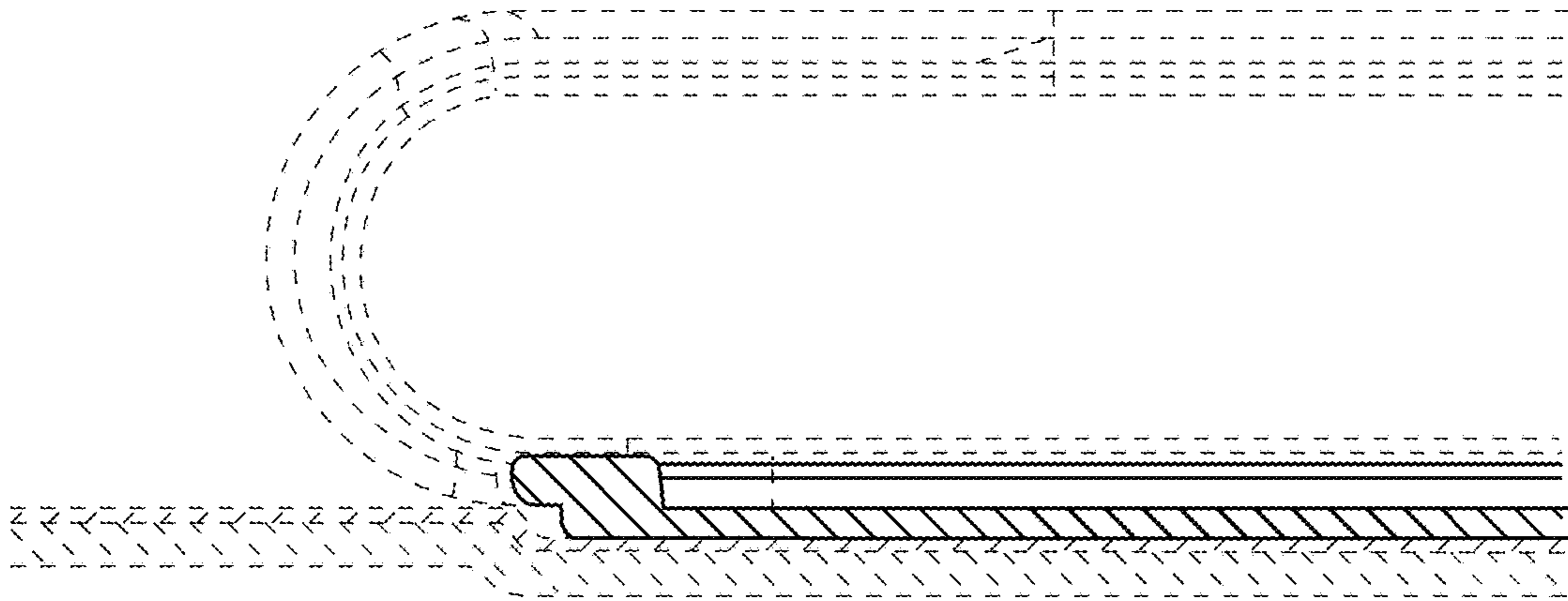


Fig. 7

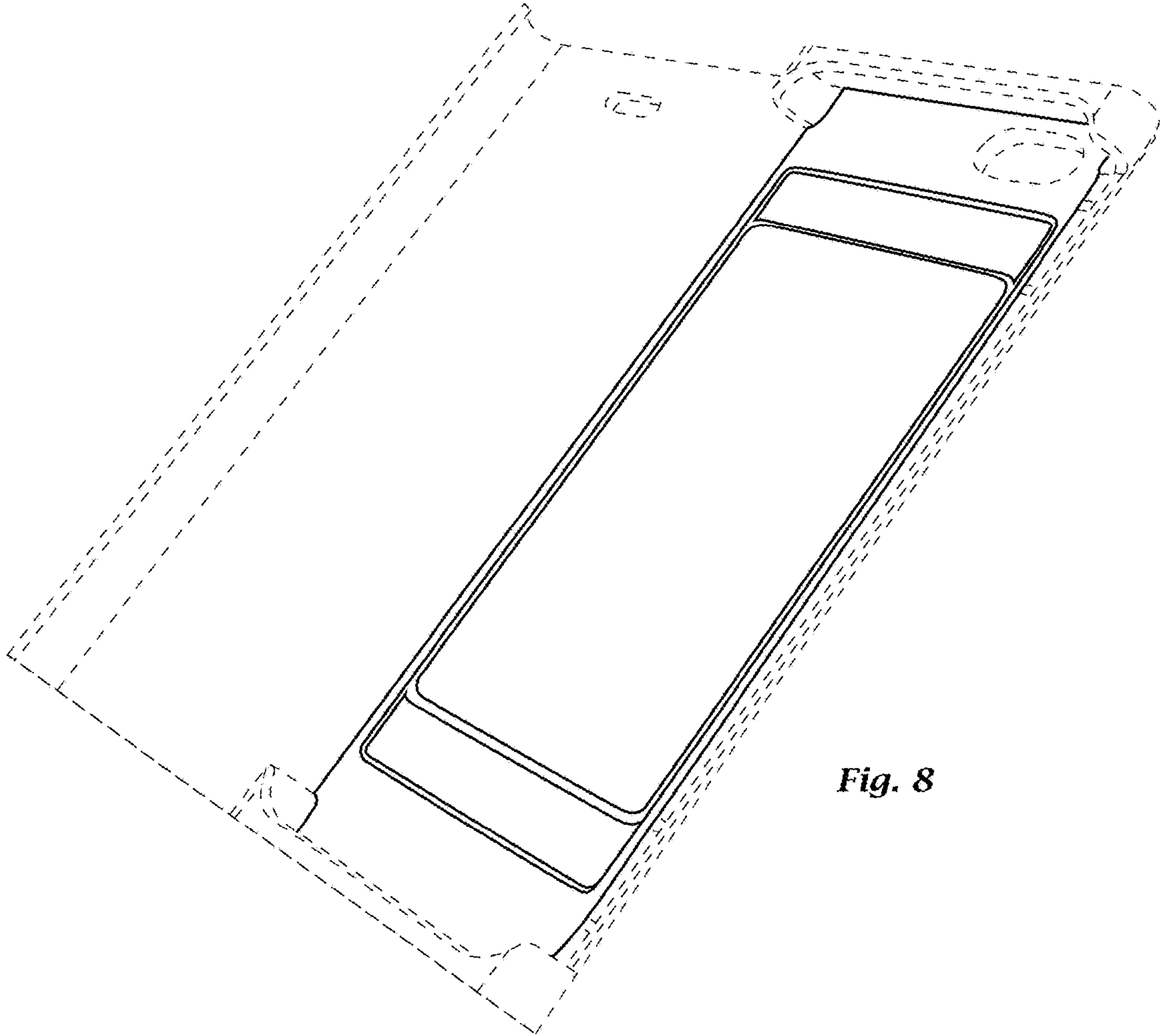


Fig. 8