



US00D813215S

(12) **United States Design Patent** (10) **Patent No.:** **US D813,215 S**
Banerjee et al. (45) **Date of Patent:** **** Mar. 20, 2018**

(54) **MOBILE PHONE**

FOREIGN PATENT DOCUMENTS

(71) Applicant: **Samsung Electronics Co., Ltd.**,
Suwon-si (KR)

CN 303479668 S 12/2015
KR 300872769 * 9/2016

(72) Inventors: **Prantik Banerjee**, Noida (IN); **Craig Morrison**, London (GB); **Jusuek Lee**, Ansan-si (KR); **Felix Heck**, Kingston Upon Thames (GB); **Kabir Singh**, Dehradun (IN); **Hyuntaik Lim**, Epsom (GB); **Kyoungwoon Hahm**, Seoul (KR); **Sudhanwa Suhas Chavan**, Noida (IN)

OTHER PUBLICATIONS

Samsung Galaxy J2 Pro, Jul. 2016, [online], [site visited Sep. 25, 2017]. Retrieved from <url:http://www.gsmarena.com/samsung_galaxy_j2_pro_(2016)-pictures-8228.php>.*

(Continued)

Primary Examiner — Jeffrey D Asch
Assistant Examiner — Tracey J Bell
(74) *Attorney, Agent, or Firm* — Cantor Colburn LLP

(73) Assignee: **SAMSUNG ELECTRONICS CO., LTD.**, Gyeonggi-Do (KR)

(57) **CLAIM**

The ornamental design for a mobile phone, as shown and described.

(**) Term: **15 Years**

DESCRIPTION

(21) Appl. No.: **29/571,516**

(22) Filed: **Jul. 19, 2016**

(30) **Foreign Application Priority Data**

Jan. 21, 2016 (KR) 30-2016-0003103
Jan. 21, 2016 (KR) 30-2016-0003104

(51) **LOC (11) Cl.** **14-03**

(52) **U.S. Cl.**
USPC **D14/248**

(58) **Field of Classification Search**
USPC D14/138 AA, 138 AB, 138 AC, 138 AD,
D14/138 C, 138 G, 138 R, 248, 315-318,
(Continued)

(56) **References Cited**

U.S. PATENT DOCUMENTS

D651,601 S * 1/2012 Ichise D14/341
D672,739 S * 12/2012 Sin D14/138 G
(Continued)

FIG. 1 is a rear perspective view of a mobile phone showing our new design according to a first embodiment;
FIG. 2 is a front view thereof;
FIG. 3 is a rear view thereof;
FIG. 4 is a left side view thereof;
FIG. 5 is a right side view thereof;
FIG. 6 is a top view thereof;
FIG. 7 is a bottom view thereof;
FIG. 8 is a front perspective view thereof;
FIG. 9 is an enlarged view of the portion 9 encircled in FIG. 1;
FIG. 10 is an enlarged view of the portion 10 encircled in FIG. 4.
FIG. 11 is a rear perspective view of a mobile phone showing our new design according to a second embodiment;
FIG. 12 is a front view thereof;
FIG. 13 is a rear view thereof;
FIG. 14 is a left side view thereof;
FIG. 15 is a right side view thereof;
FIG. 16 is a top view thereof;
FIG. 17 is a bottom view thereof;
FIG. 18 is a front perspective view thereof;

(Continued)

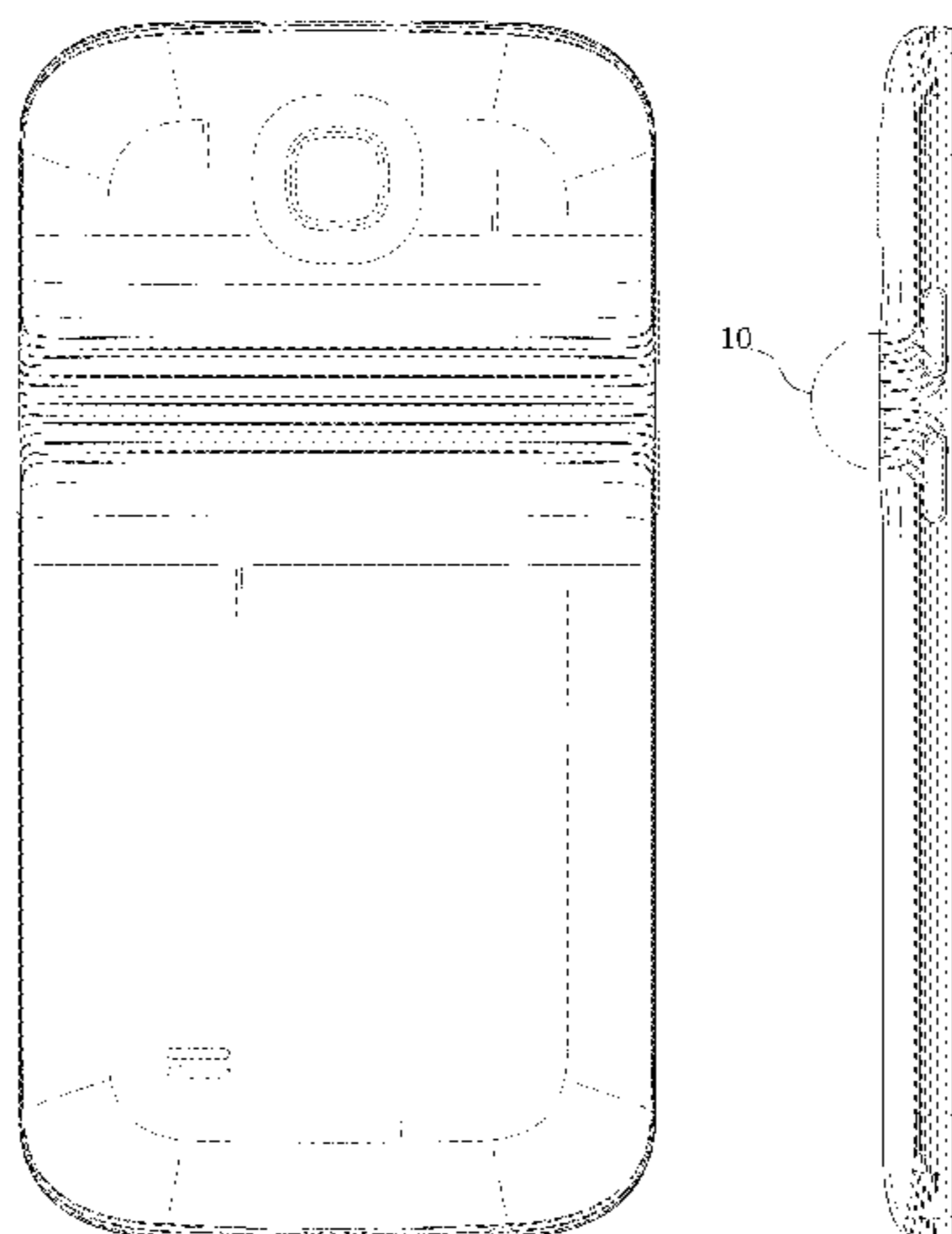


FIG. 19 is an enlarged view of the portion 19 encircled in FIG. 11; and, FIG. 20 is an enlarged view of the portion 20 encircled in FIG. 14.

The short dash-dash broken lines illustrating portions of the mobile phone form no part of the claimed design. The dot-dot-dash broken lines enclose portions of the claimed design that are illustrated in enlargements and form no part of the claimed design.

D697,889	S	*	1/2014	Ahn	D14/138	G
D697,890	S	*	1/2014	Choe	D14/138	G
D710,815	S	*	8/2014	Kim	D14/138	G
D713,369	S	*	9/2014	Kim	D14/138	G
D722,034	S	*	2/2015	Lee	D14/138	G
D729,781	S	*	5/2015	Lee	D14/248	
D730,883	S	*	6/2015	Lee	D14/248	
D737,814	S	*	9/2015	Cha	D14/341	
D744,480	S	*	12/2015	Kim	D14/248	
D761,773	S	*	7/2016	Choi	D14/248	
D763,840	S	*	8/2016	Hwang	D14/250	

1 Claim, 20 Drawing Sheets

(58) **Field of Classification Search**

USPC D14/341, 342, 345, 346, 203.1, 203.3, D14/203.7, 218, 250; D21/329
 CPC .. H04M 1/027; H04M 1/0202; H04M 1/0279; H04M 1/0235; H04M 1/0237; H04M 1/0239; H04M 1/0266; H04M 1/0268; H04M 1/0295; G06F 1/1652; G06F 1/1626

See application file for complete search history.

(56) **References Cited**

U.S. PATENT DOCUMENTS

D678,327	S	*	3/2013	Lee	D14/203.3	
D685,740	S	*	7/2013	Moore	D13/119	

OTHER PUBLICATIONS

Acer Liquid E1, Mar. 2013, [online], [site visited Sep. 25, 2017]. Retrieved from <url:http://www.gsmarena.com/acer_liquid_e1-pictures-5262.php>.*
 Hughes, Conan; “Huawei Honor 7 Annouced”; URL Accessed: http://www.noypigeeks.com/smartphones/huawei-honor-7/: Date Accessed: Jun. 30, 2016; 10 Pages.
 Millward, Steven; “Xiaomi Buddies Up With Tencent, Launches New Budget Smartphone for Just \$129”; URL Accessed: https://www.techinasia.com/xiaomi-tencent-partnership-and-red-rice-phone-launch; Date Accessed: Jun. 30, 2016; 4 Pages.
 Mozilla; “Firefox OS”; URL Accessed: http://www.mozilla.or.kr/community/blog/tag/firefox-os; Date Accessed: Jun. 30, 2016; 18 Pages.

* cited by examiner

FIG. 1

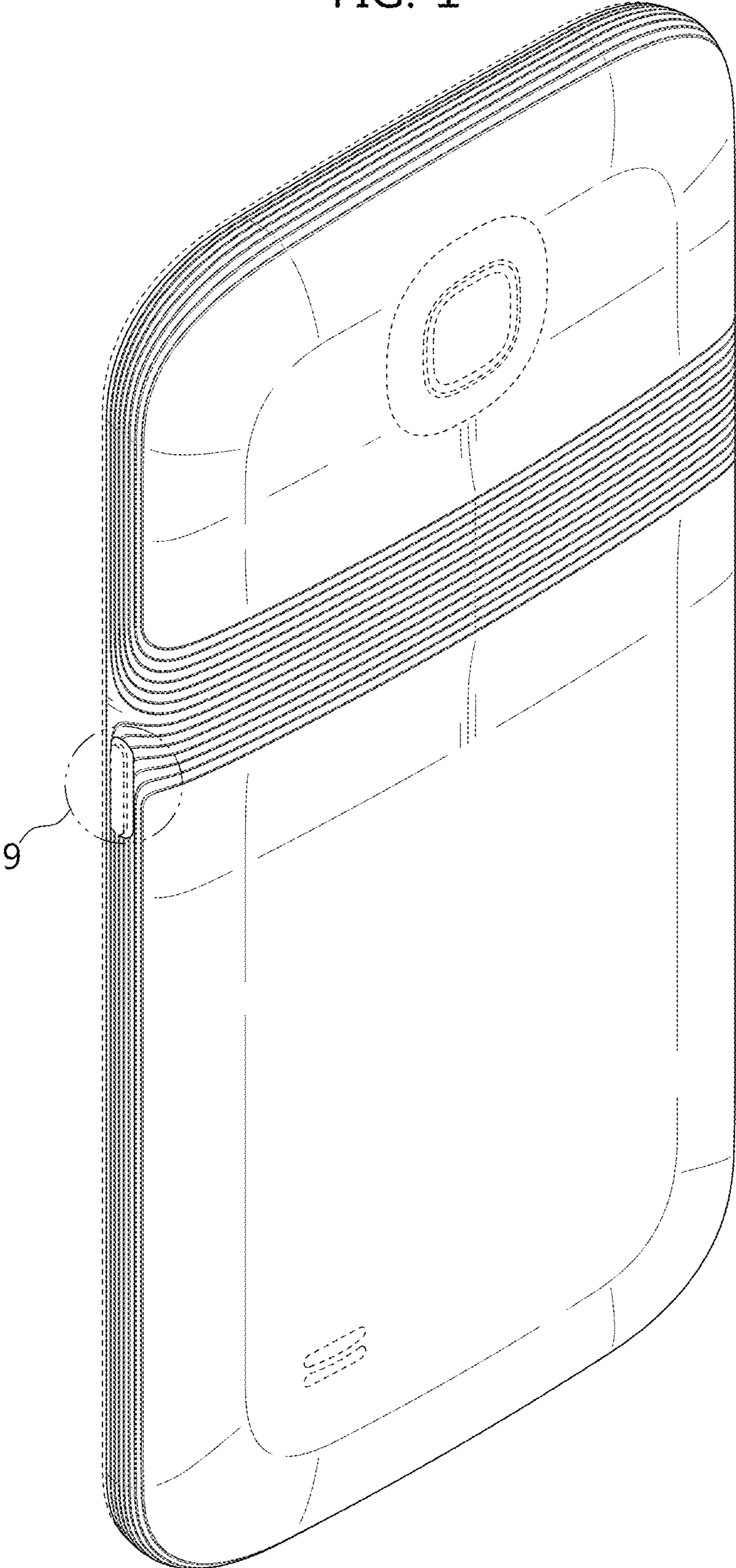


FIG. 2

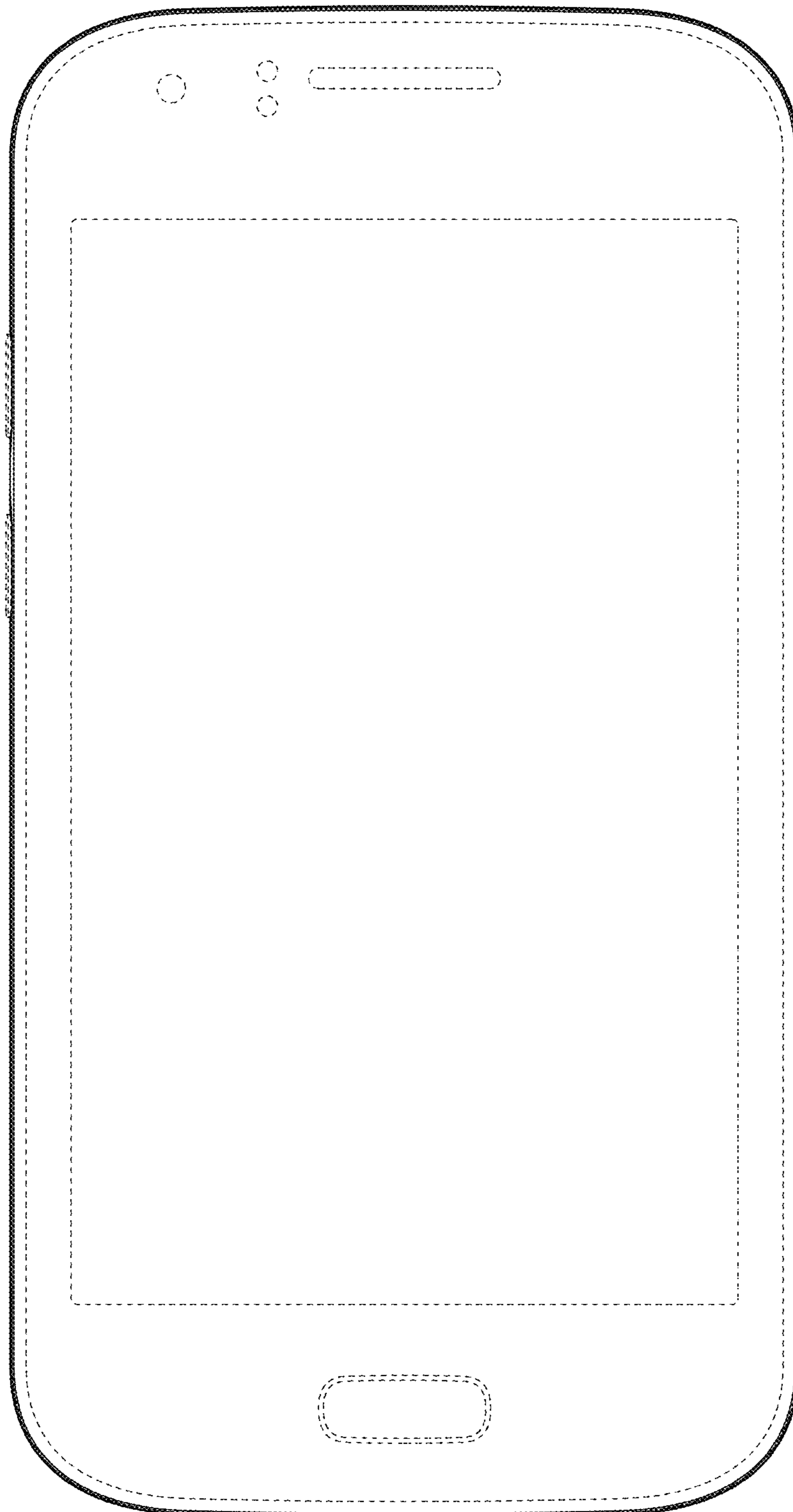


FIG. 3

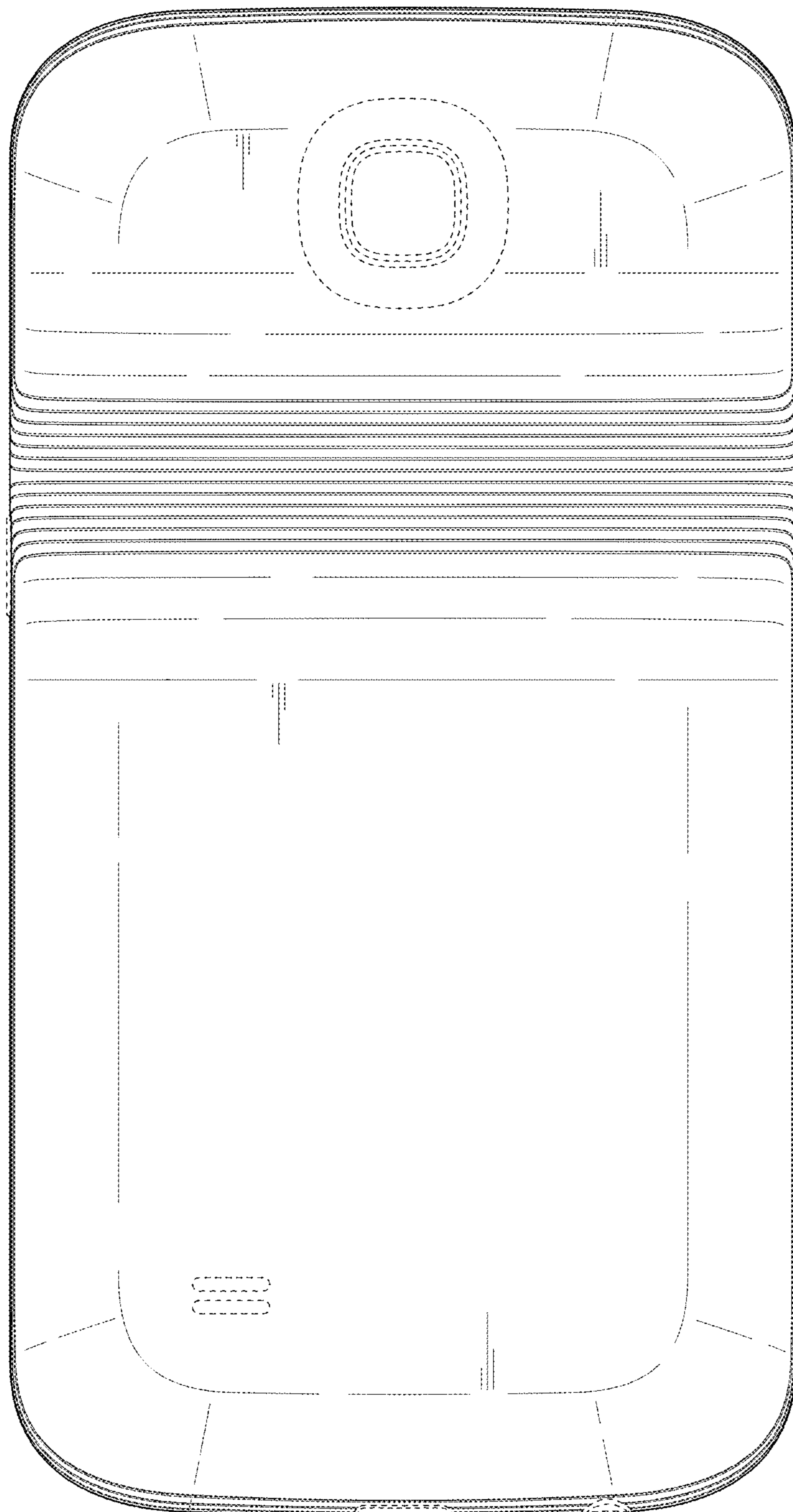


FIG. 4

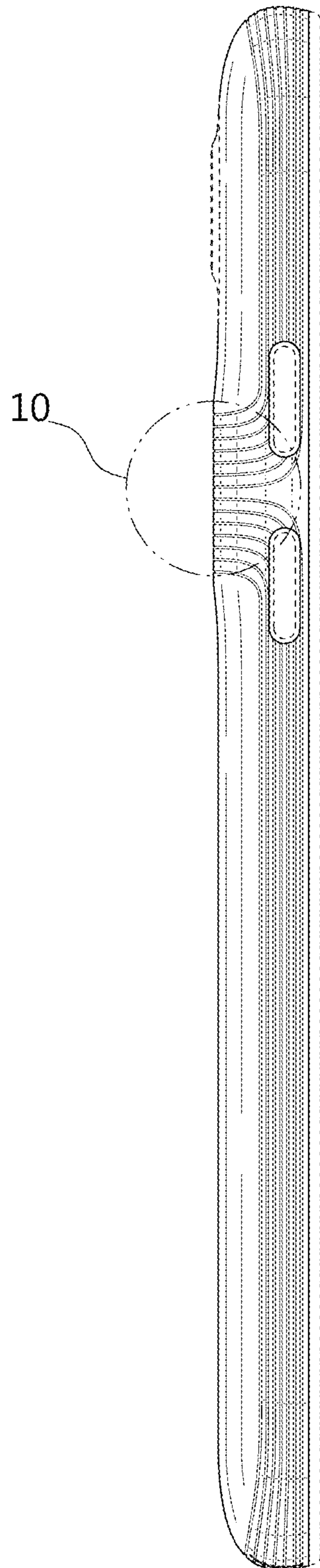


FIG. 5

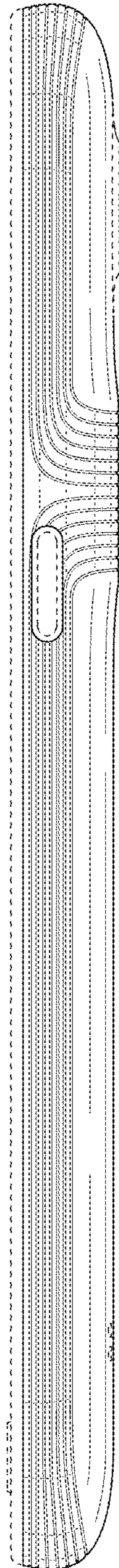


FIG. 6

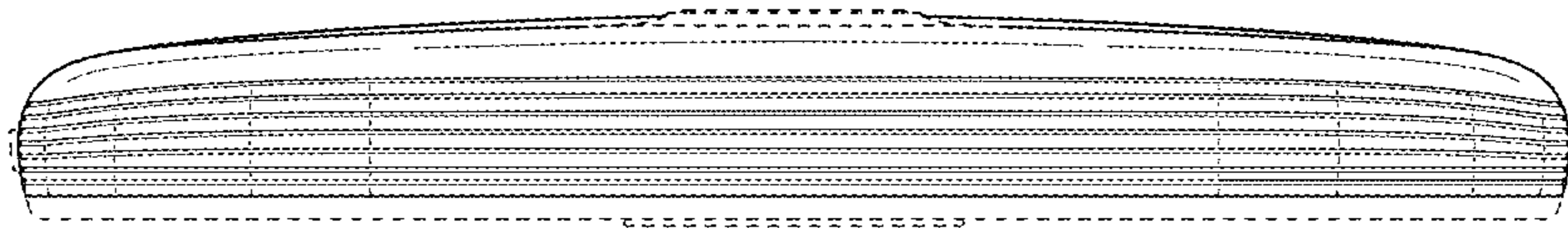


FIG. 7

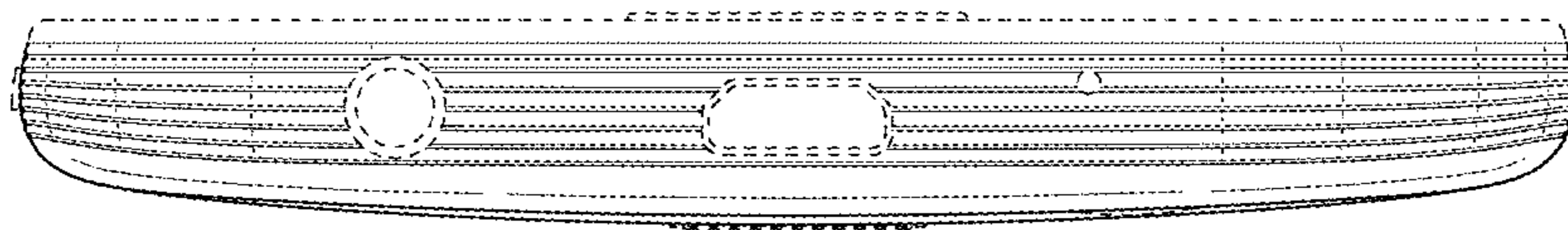


FIG. 8

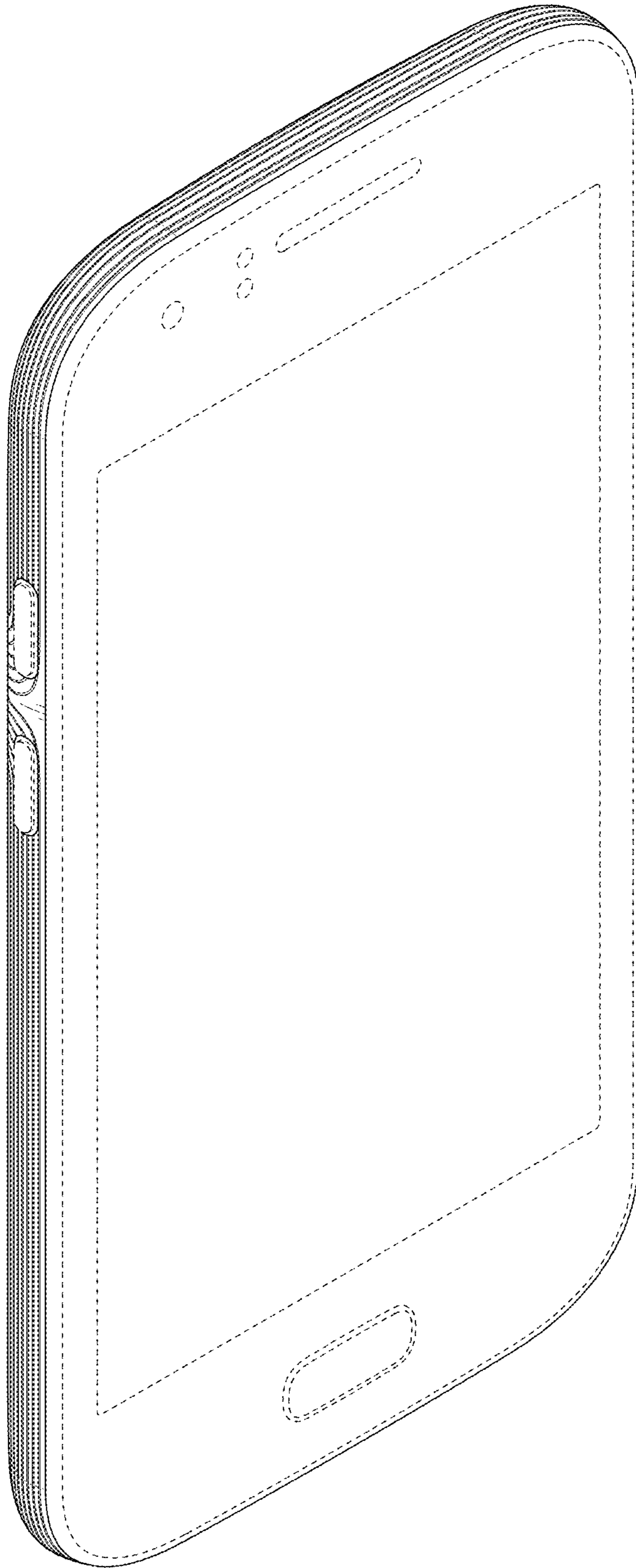


FIG. 9

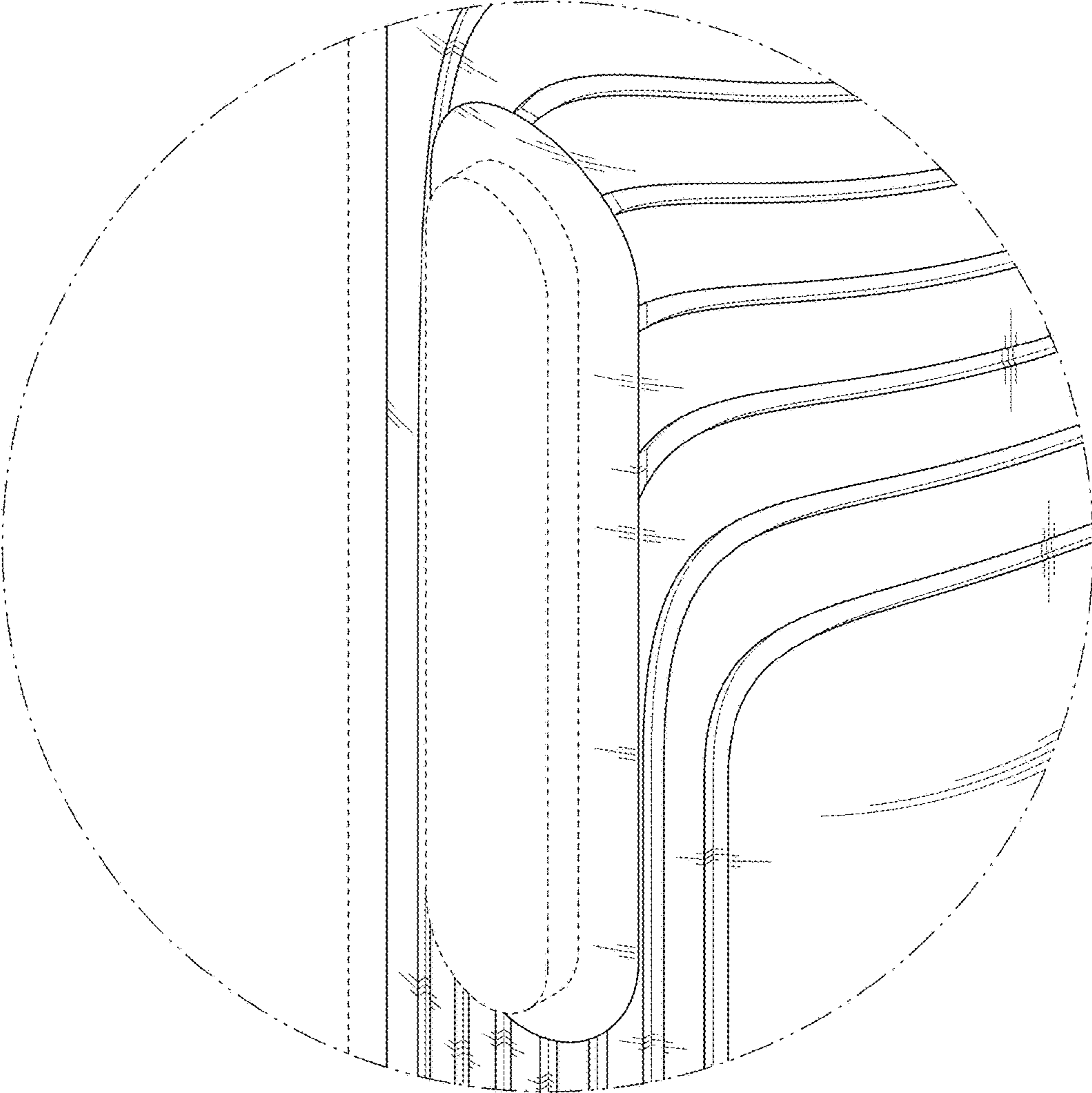


FIG. 10

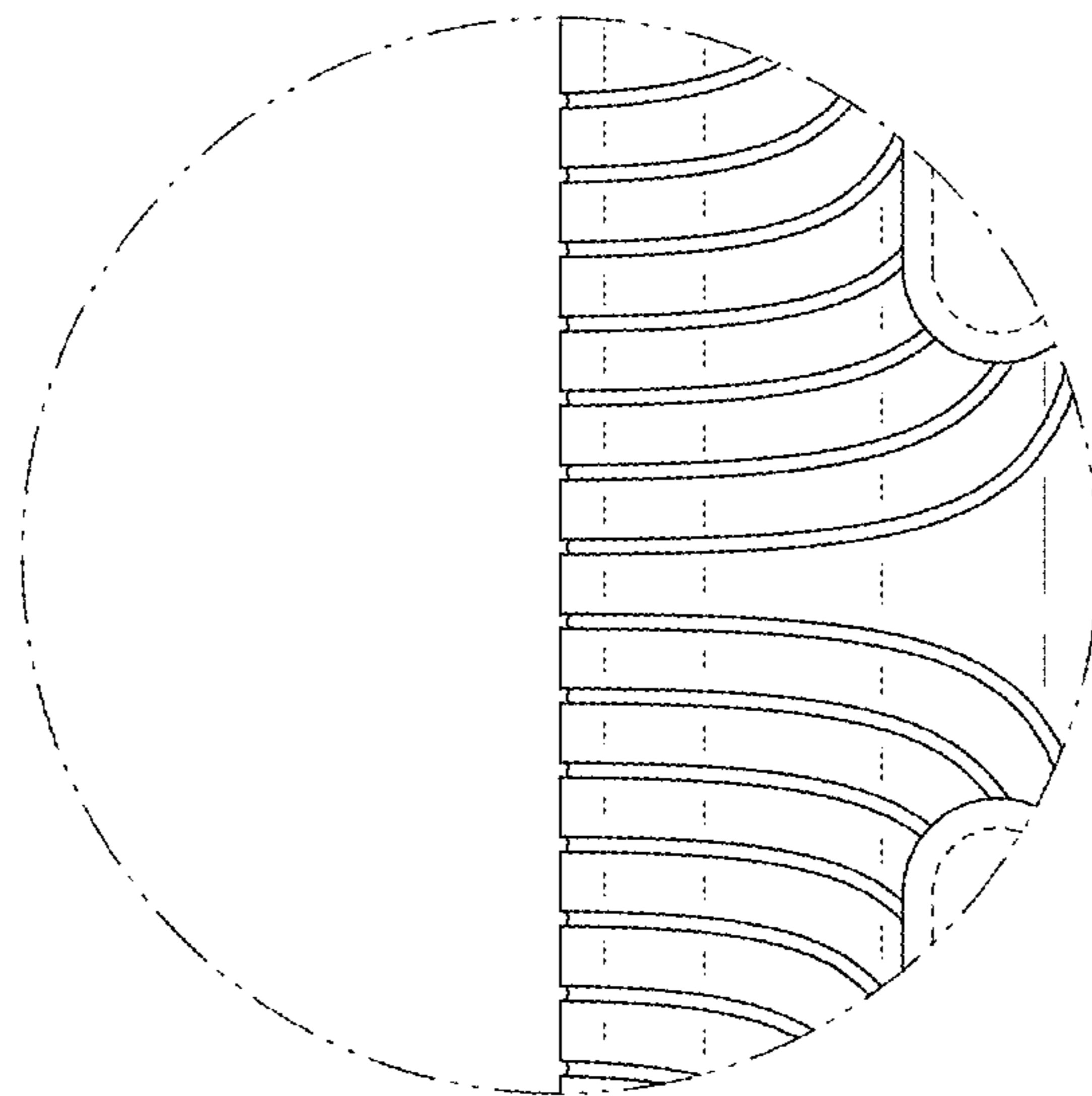


FIG. 11

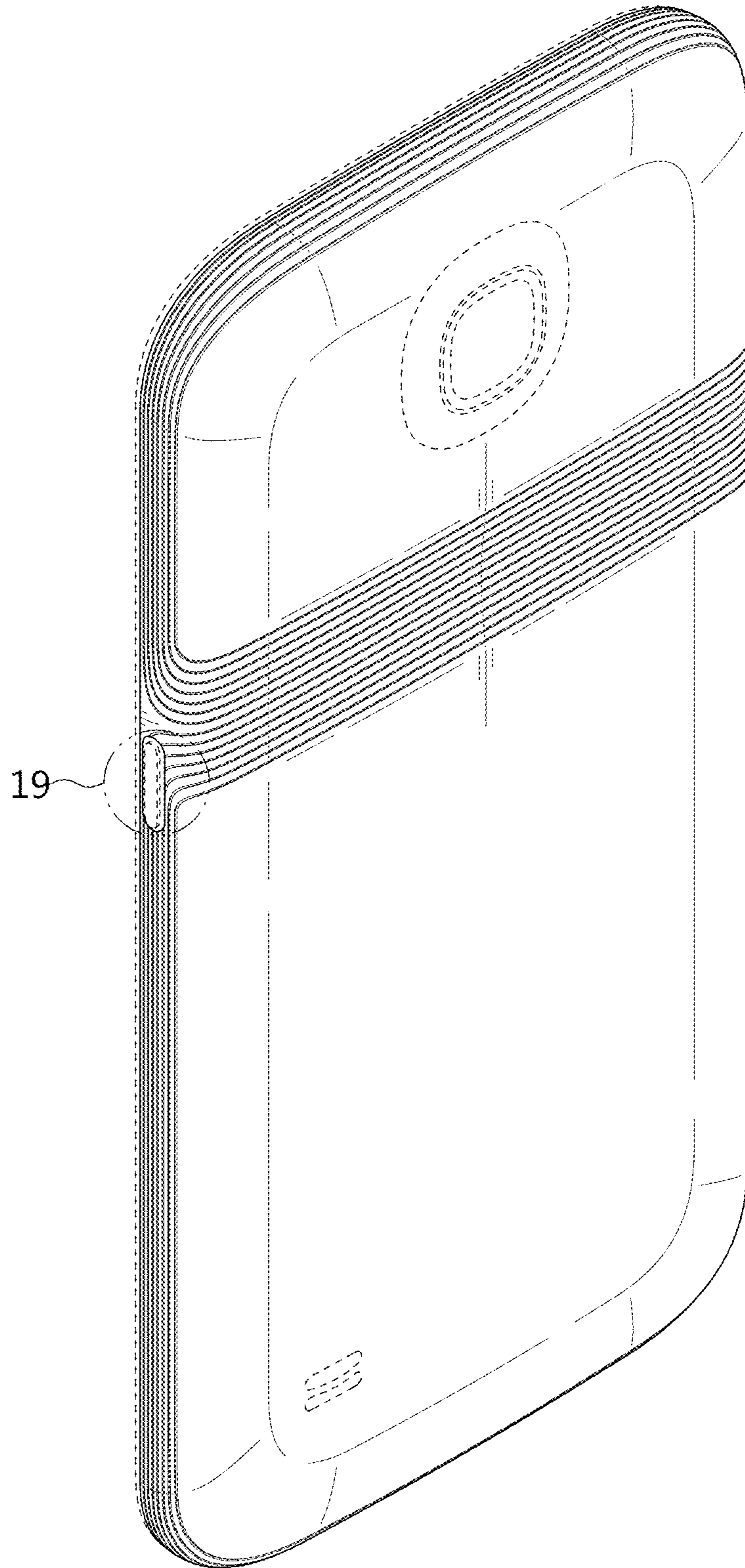


FIG. 12

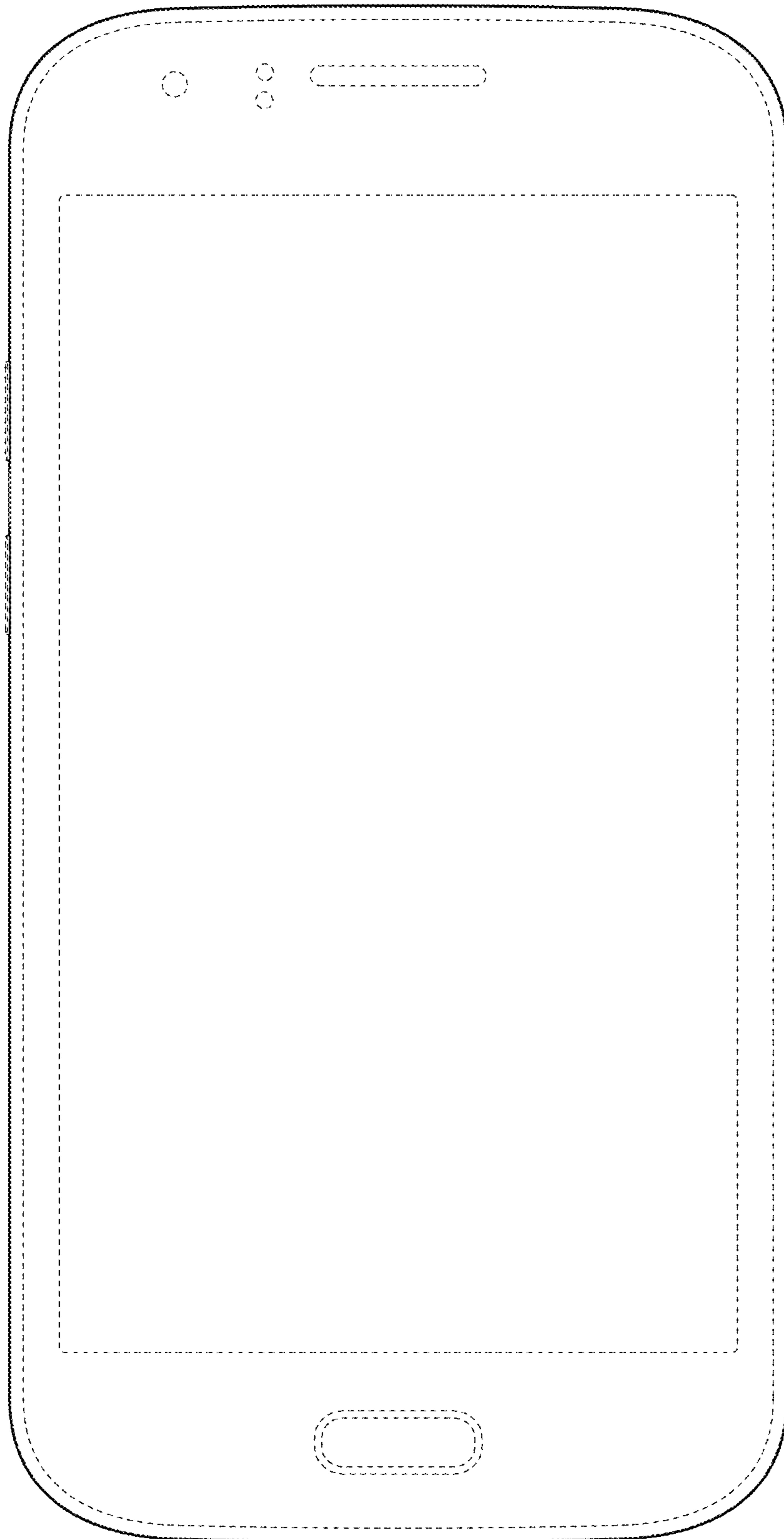


FIG. 13

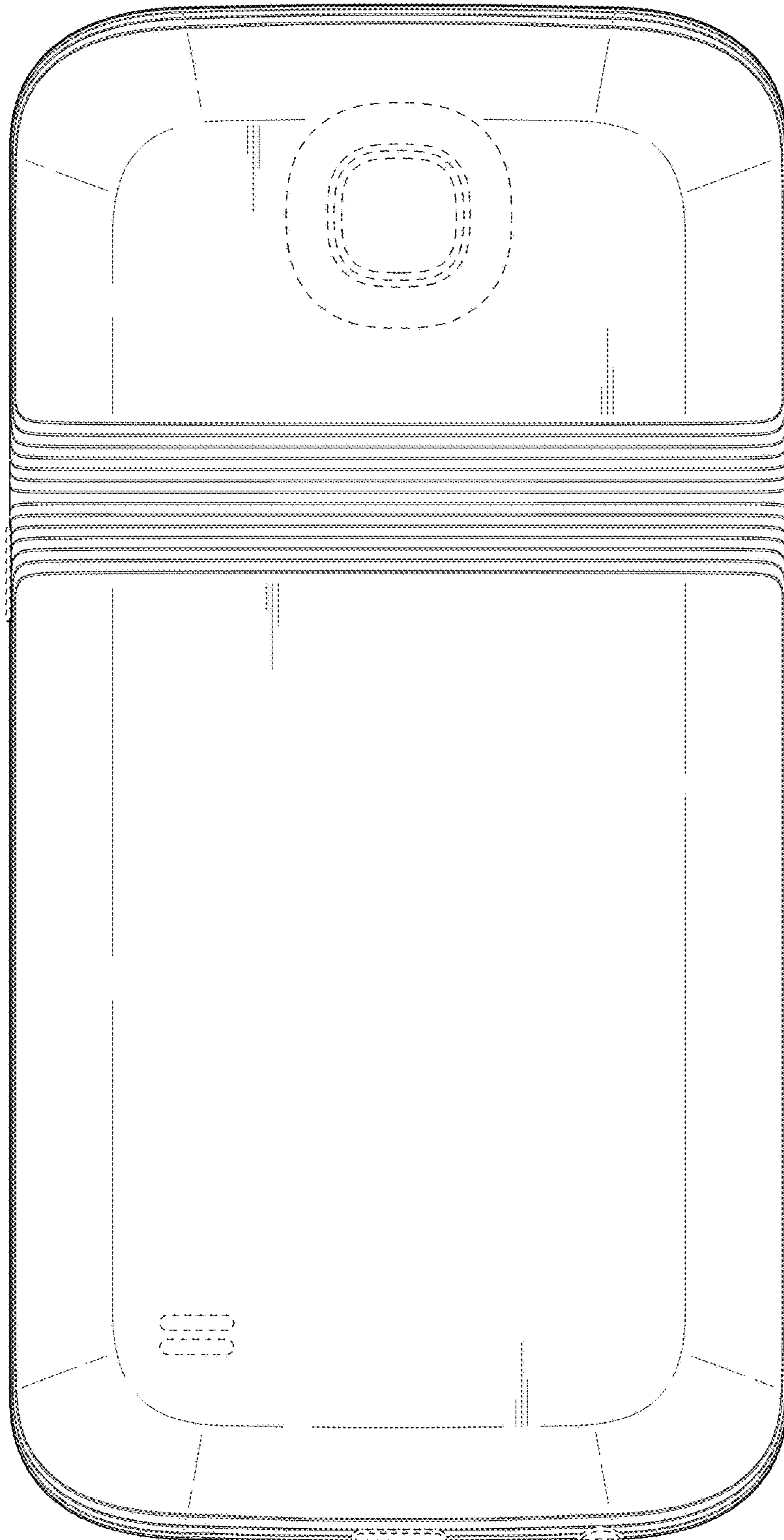


FIG. 14

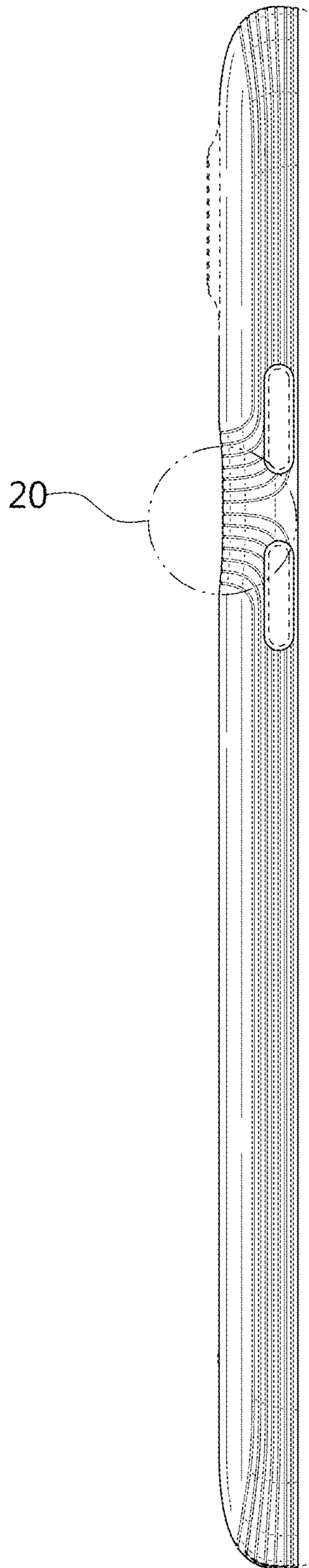


FIG. 15

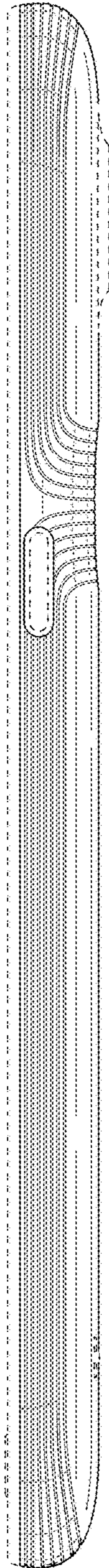


FIG. 16

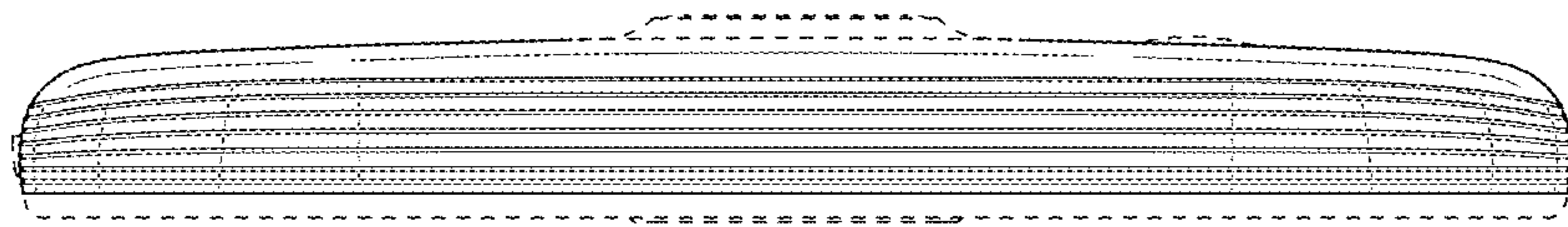


FIG. 17

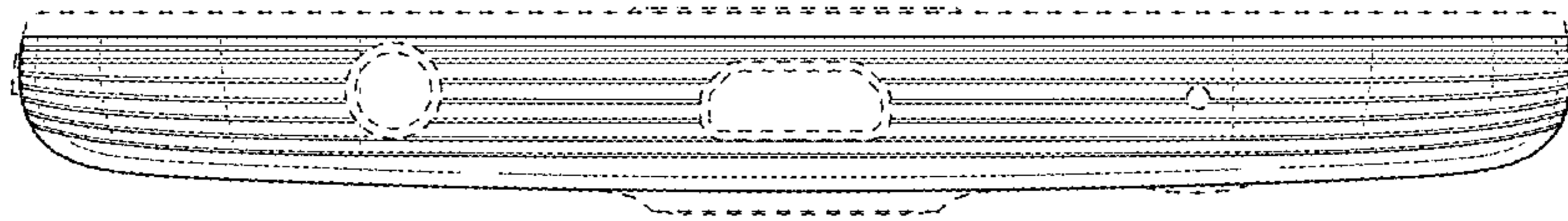


FIG. 18

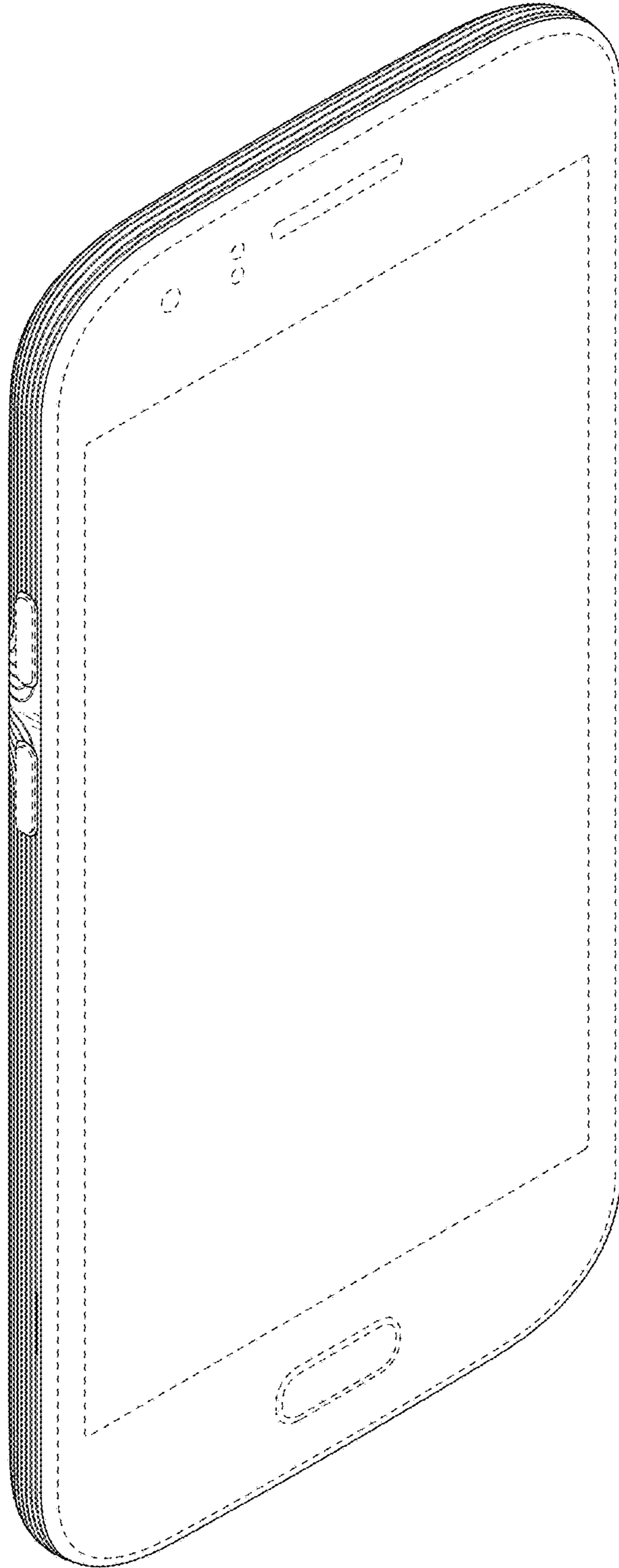


FIG. 19

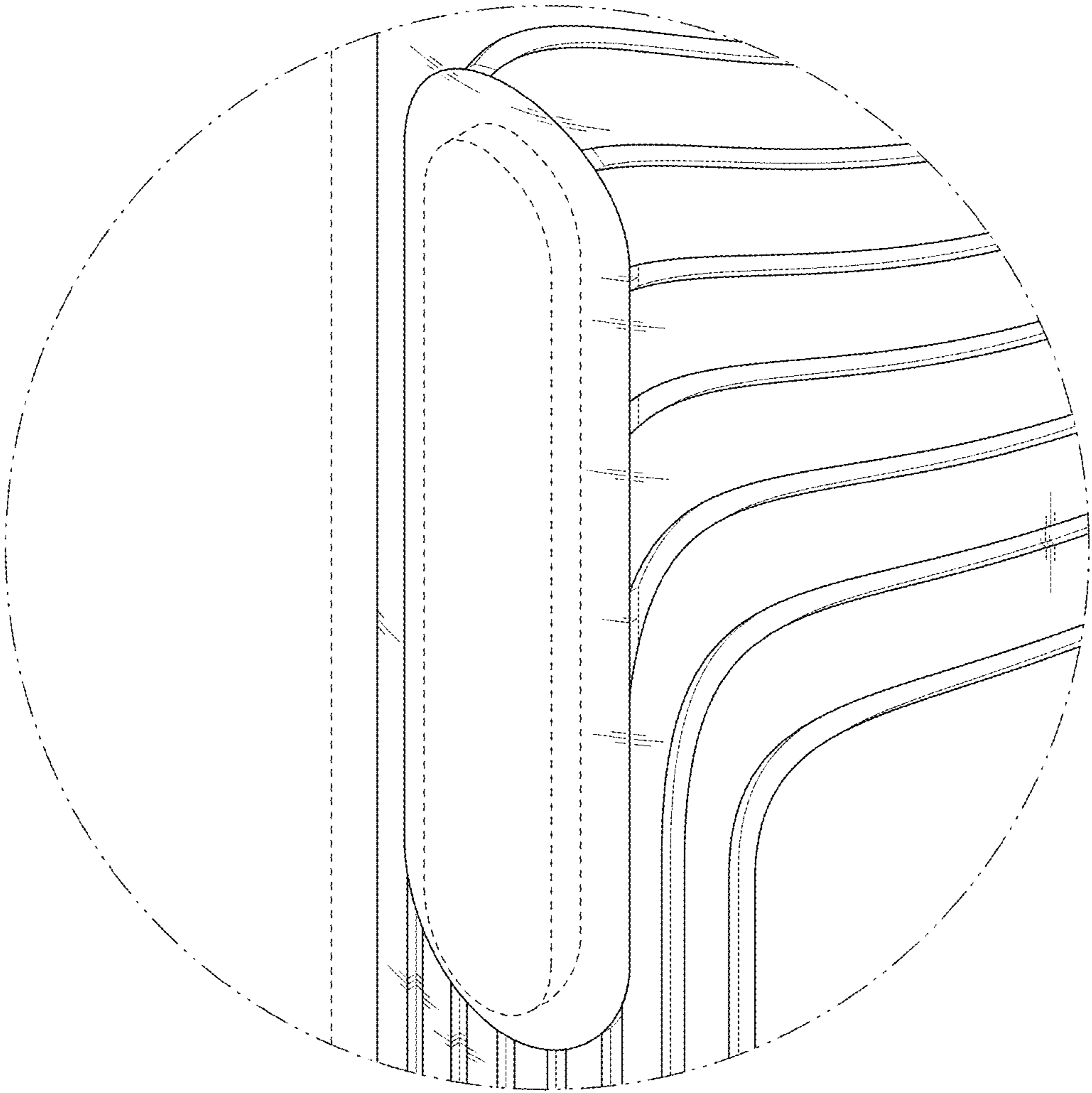


FIG. 20

