



US00D813213S

(12) **United States Design Patent**
Honda

(10) **Patent No.:** **US D813,213 S**
(45) **Date of Patent:** **** Mar. 20, 2018**

(54) **HOME GATEWAY WITH A RADIO FUNCTION**

FOREIGN PATENT DOCUMENTS

(71) Applicant: **Toshiba Visual Solutions Corporation**,
Misawa, Aomori (JP)

JP D1095480 1/2001
JP D1100067 2/2001

(Continued)

(72) Inventor: **Tatsuya Honda**, Yokohama (JP)

OTHER PUBLICATIONS

(73) Assignee: **Toshiba Visual Solutions Corporation**,
Misawa, Aomori (JP)

Toshiba Home Gateway, as posted on iFWorldDesignGuide.com [online], posting date not available, [site visited Jan. 2, 2018]. Available from the Internet, <URL: <https://ifworlddesignguide.com/profile/4957-toshiba-corporation>>.*

(**) Term: **15 Years**

(Continued)

(21) Appl. No.: **29/589,268**

Primary Examiner — Jeffrey D Asch

(22) Filed: **Dec. 29, 2016**

Assistant Examiner — Rebekah A Caruso

(30) **Foreign Application Priority Data**

(74) *Attorney, Agent, or Firm* — Banner & Witcoff, Ltd.

Jul. 22, 2016 (JP) 2016-015662

(51) **LOC (11) Cl.** **14-03**

(52) **U.S. Cl.**

USPC **D14/240**; D14/358; D14/216

(58) **Field of Classification Search**

USPC D14/125, 129, 130, 137, 140, 142, 155,
D14/168, 172, 188, 195, 203.1, 203.6,
D14/203.8, 204, 209, 209.1, 216, 230,
D14/231, 233, 235, 236, 237, 240, 242,
D14/299, 300, 302, 348, 351, 356, 357,
D14/358, 361, 362, 365, 367, 370, 388,
D14/432, 434, 496, 210, 215; D13/103,
D13/107, 108, 123, 152, 158, 162, 162.1,

(Continued)

(56) **References Cited**

U.S. PATENT DOCUMENTS

D328,946 S * 8/1992 Havrilla D23/365
D360,635 S * 7/1995 Mark D14/212

(Continued)

(57) **CLAIM**

The ornamental design for a home gateway with a radio function, as shown and described.

DESCRIPTION

FIG. 1 is a front, top and right side perspective view of a home gateway with a radio function, showing my new design;

FIG. 2 is a front view thereof;

FIG. 3 is a right side view thereof;

FIG. 4 is a top view thereof;

FIG. 5 is a rear view thereof;

FIG. 6 is a bottom view thereof;

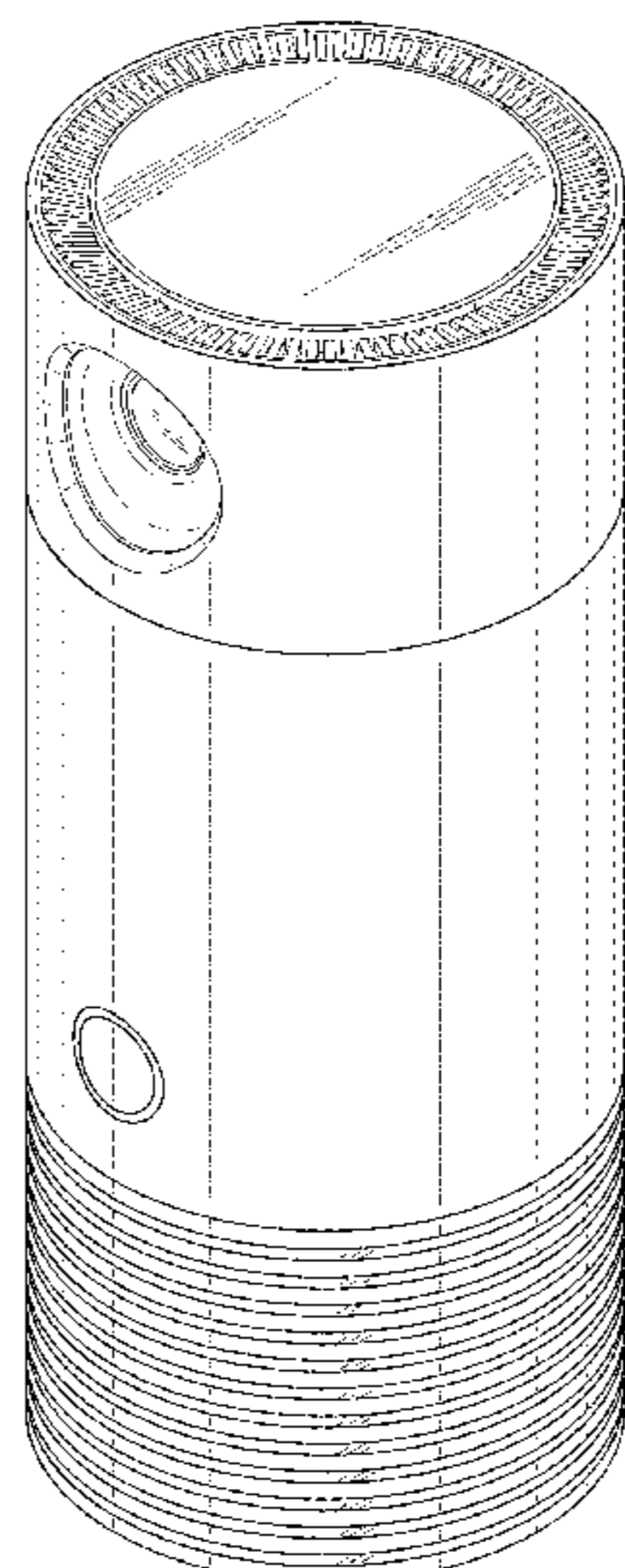
FIG. 7 is a perspective view showing a state in which the lens cover is rotated;

FIG. 8 is a sectional view, taken along line 8-8 in FIG. 2; and,

FIG. 9 is a sectional view, taken along line 9-9 in FIG. 4.

The broken lines in FIG. 4 are included to indicate the cutting plane of FIG. 9. The broken lines shown in FIGS. 8 and 9 are for environmental purposes only and form no part of the claimed design.

1 Claim, 9 Drawing Sheets



(58) **Field of Classification Search**

USPC D13/163, 168, 184, 199; D10/104.1,
 D10/106.2, 106.3, 106.5, 106.6, 106.9,
 D10/106.91, 116.1, 61, 64, 75
 CPC ... H04W 88/08; H04W 88/085; H04W 88/00;
 H04W 88/005; H04W 88/02; H04W
 88/12; H04W 88/14; H04W 88/16; H04W
 88/18; H04W 4/00; H01Q 1/02; H01Q
 1/2291; H01Q 1/246; H04B 1/38
 See application file for complete search history.

D796,725 S * 9/2017 Recker D26/104
 D797,073 S * 9/2017 Yoon D14/172
 9,768,513 B2 * 9/2017 Lee H01Q 15/14
 D802,022 S * 11/2017 Yao D14/496
 D805,622 S * 12/2017 Lee D23/364

(56) **References Cited**

U.S. PATENT DOCUMENTS

D362,441 S * 9/1995 Mark D14/216
 D487,075 S * 2/2004 Dayan D14/216
 D542,279 S 5/2007 Chan
 D687,017 S * 7/2013 Ashcraft D14/216
 D697,496 S * 1/2014 Ashcraft D14/216
 D718,716 S * 12/2014 Barbu D13/110
 D737,789 S * 9/2015 Leung D14/125
 D741,181 S * 10/2015 Bar-Tal D9/449
 D744,541 S 12/2015 Langhammer et al.
 D766,213 S * 9/2016 Hinokio D14/216
 D771,141 S * 11/2016 Langhammer D14/496
 D778,956 S * 2/2017 Langhammer D14/203.1
 D780,728 S * 3/2017 Shin D14/242
 D781,918 S * 3/2017 Langhammer D14/203.1
 D786,829 S * 5/2017 Wang D14/204

FOREIGN PATENT DOCUMENTS

JP D1100068 2/2001
 JP D1207431 6/2004
 JP D1396252 8/2013
 JP D1396527 8/2013
 JP D1465494 3/2016

OTHER PUBLICATIONS

“Google’s OnHub turns out to be part router, part Chromium OS computer,” Google OnHub router pictured therein, as posted at PCWorld.com [online], posted on Oct. 12, 2015, [site visited Jan. 2, 2018]. Available from the Internet, <URL: https://www.pcworld.com/article/2991427/home-networking/googles-onhub-turns-out-to-be-part-router-part-chromium-os-co.*>
 “Amazon Echo Is a \$199 Connected Speaker Packing an Always-On Siri-Style Assistant,” Amazon Echo pictured therein, as posted at TechCrunch.com [online], posted on Nov. 6, 2014, [site visited Jan. 2, 2018]. Available from the Internet, <URL: https://techcrunch.com/2014/11/06/amazon-echo/>.*>

* cited by examiner

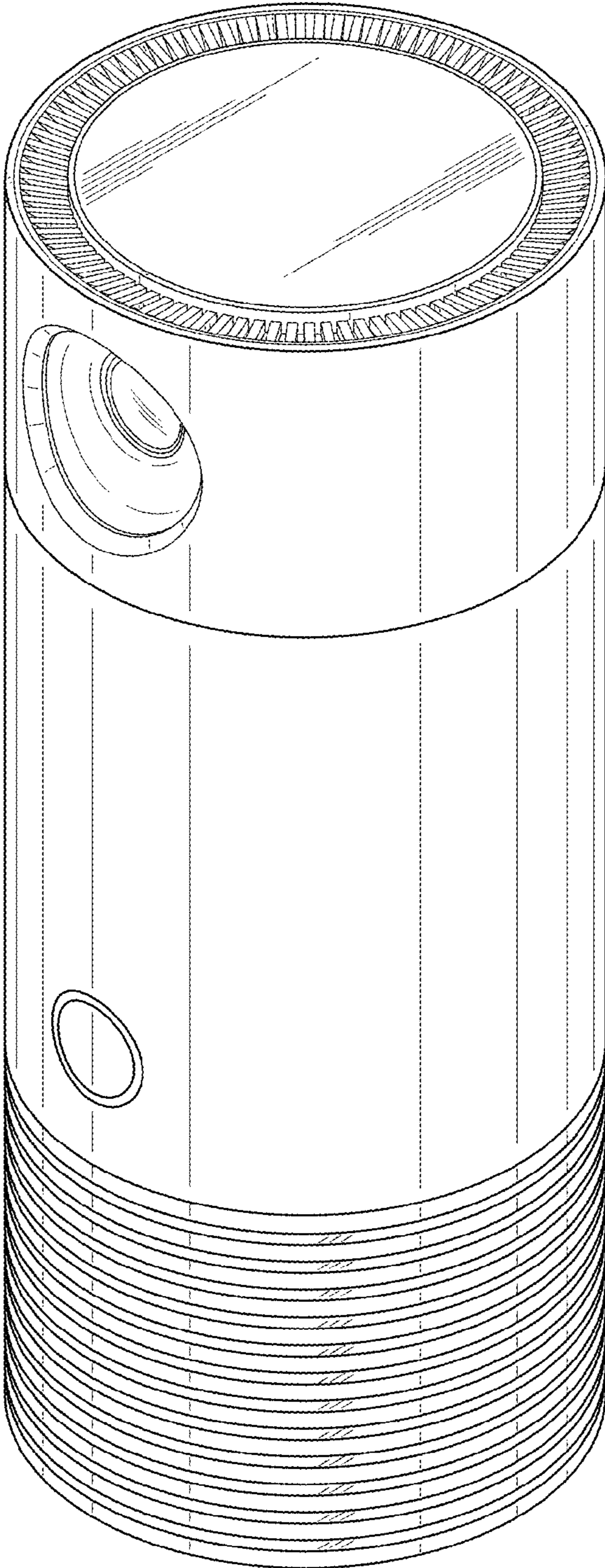


Fig. 1

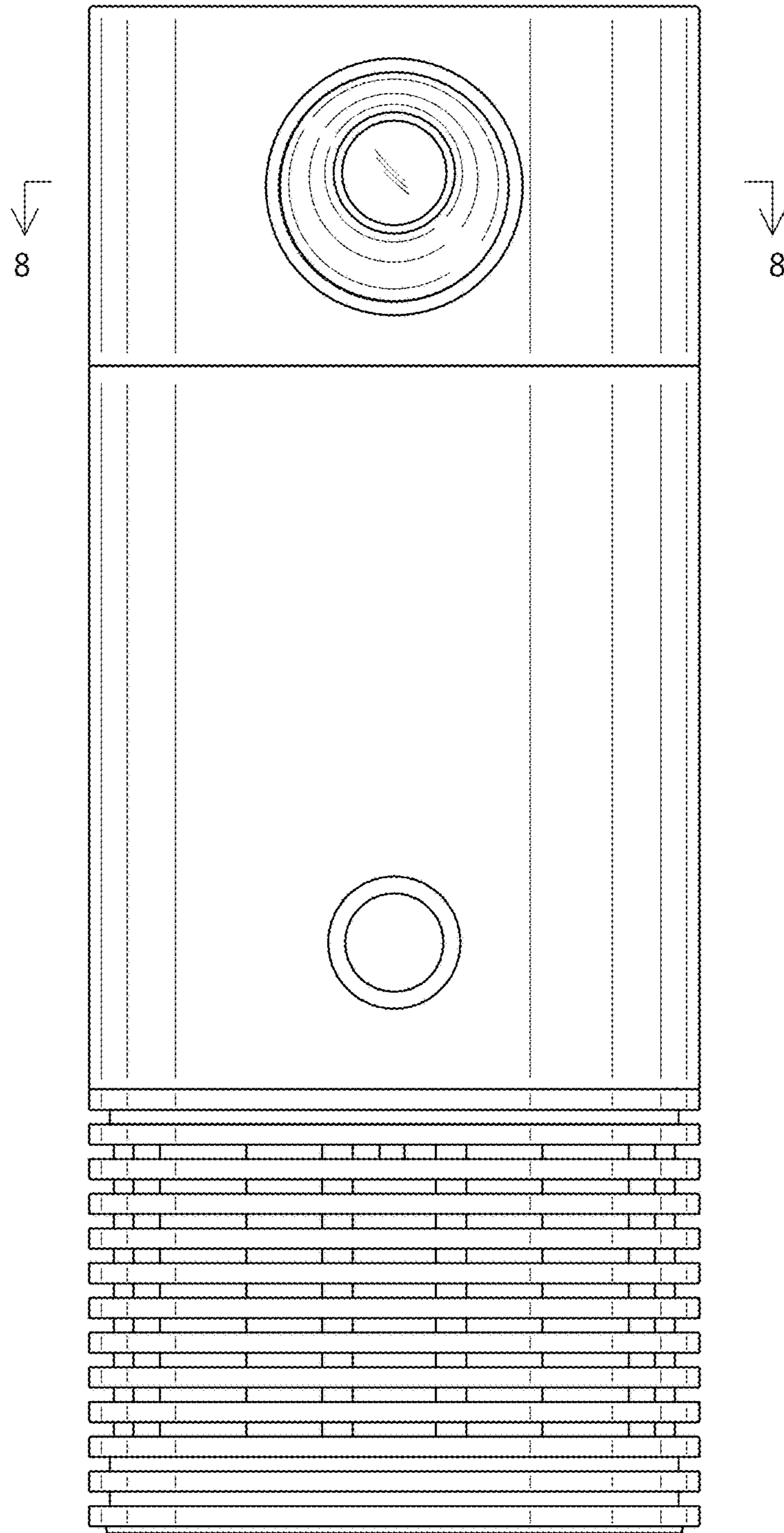


Fig. 2

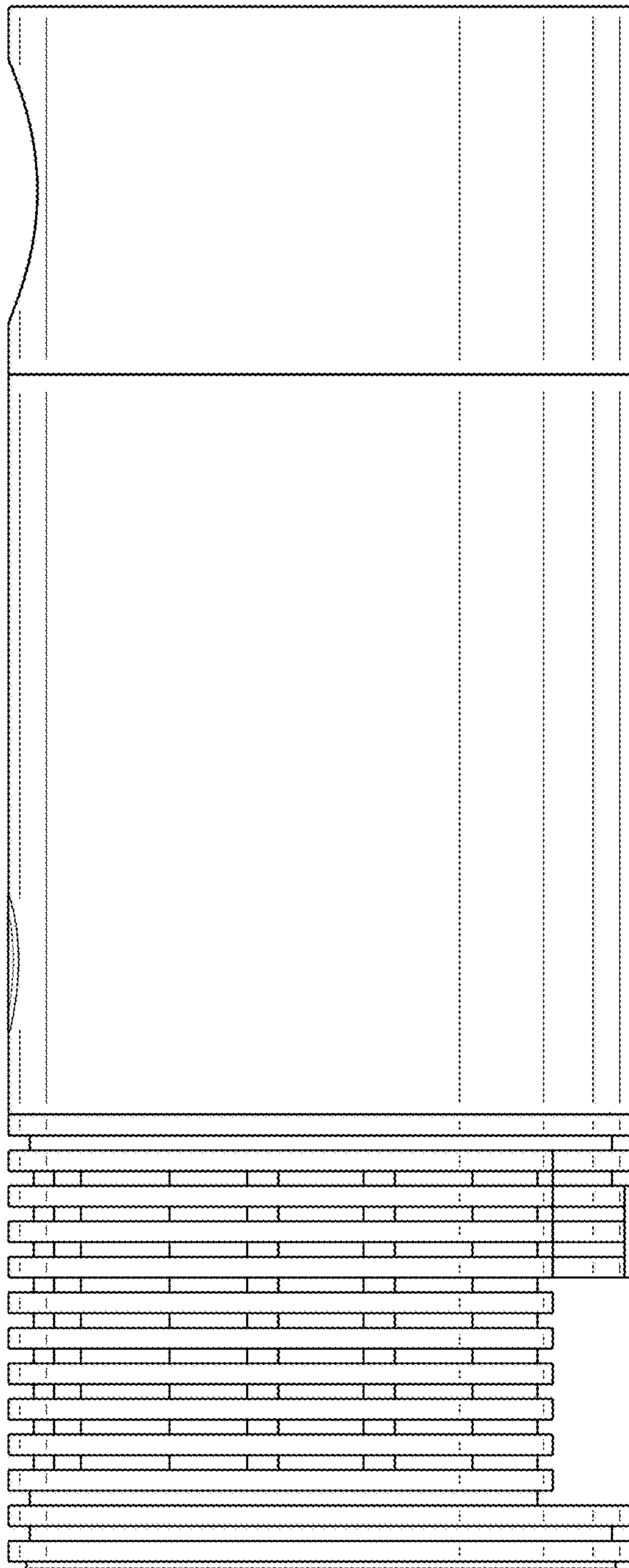


Fig. 3

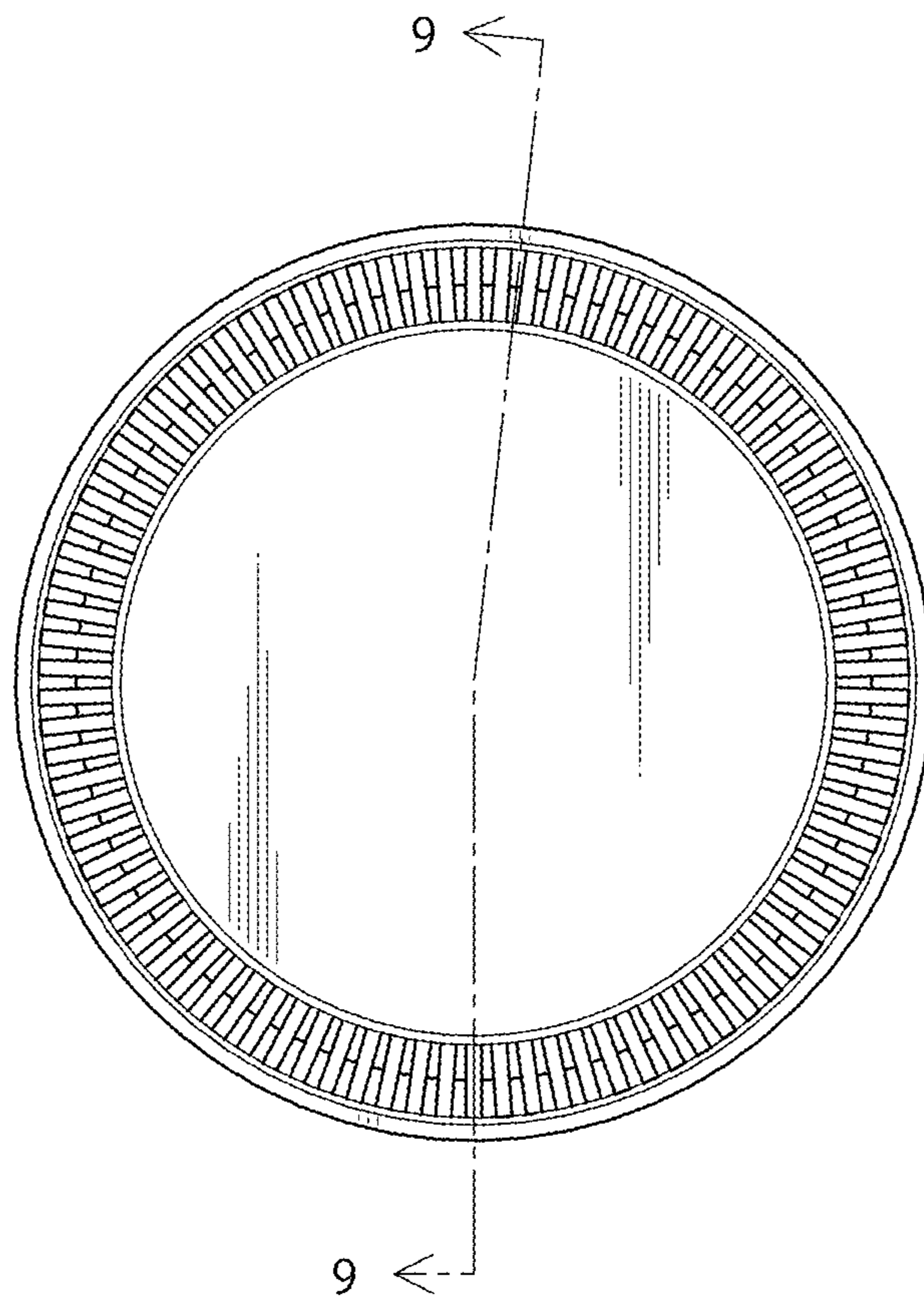


Fig.4

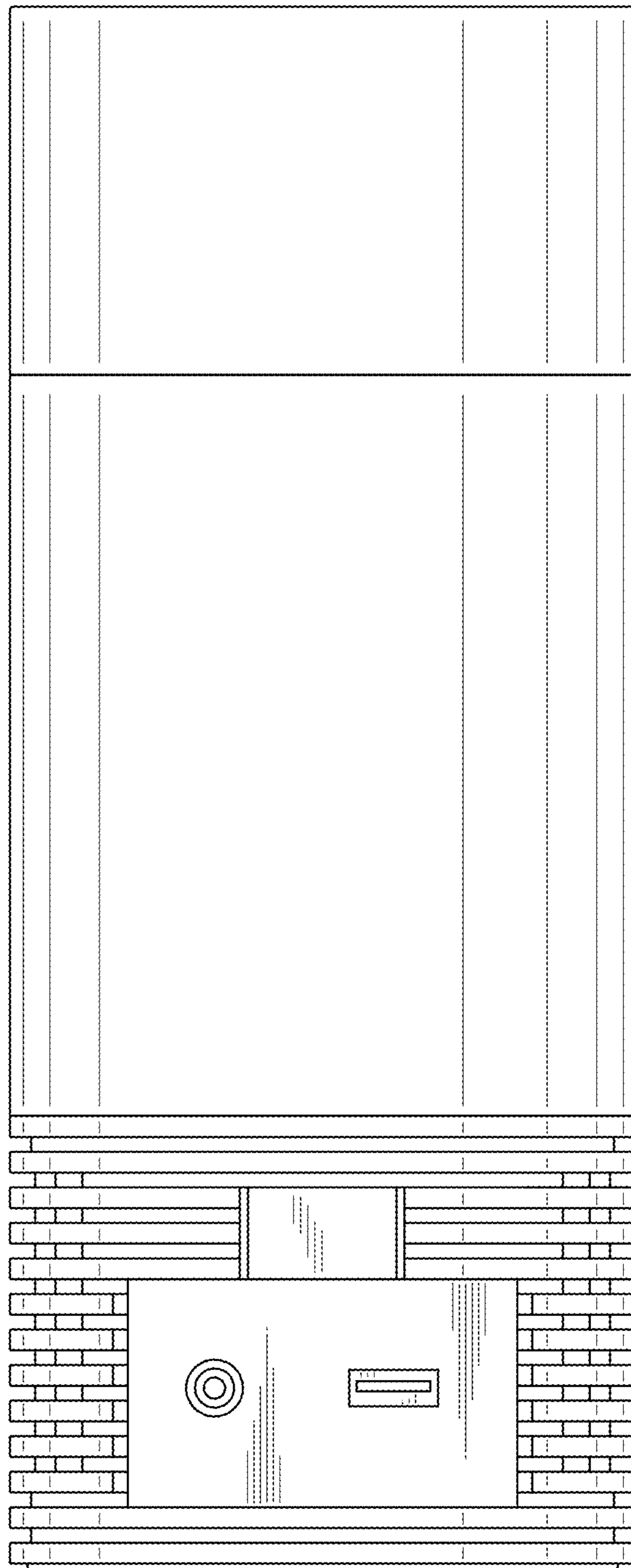


Fig.5

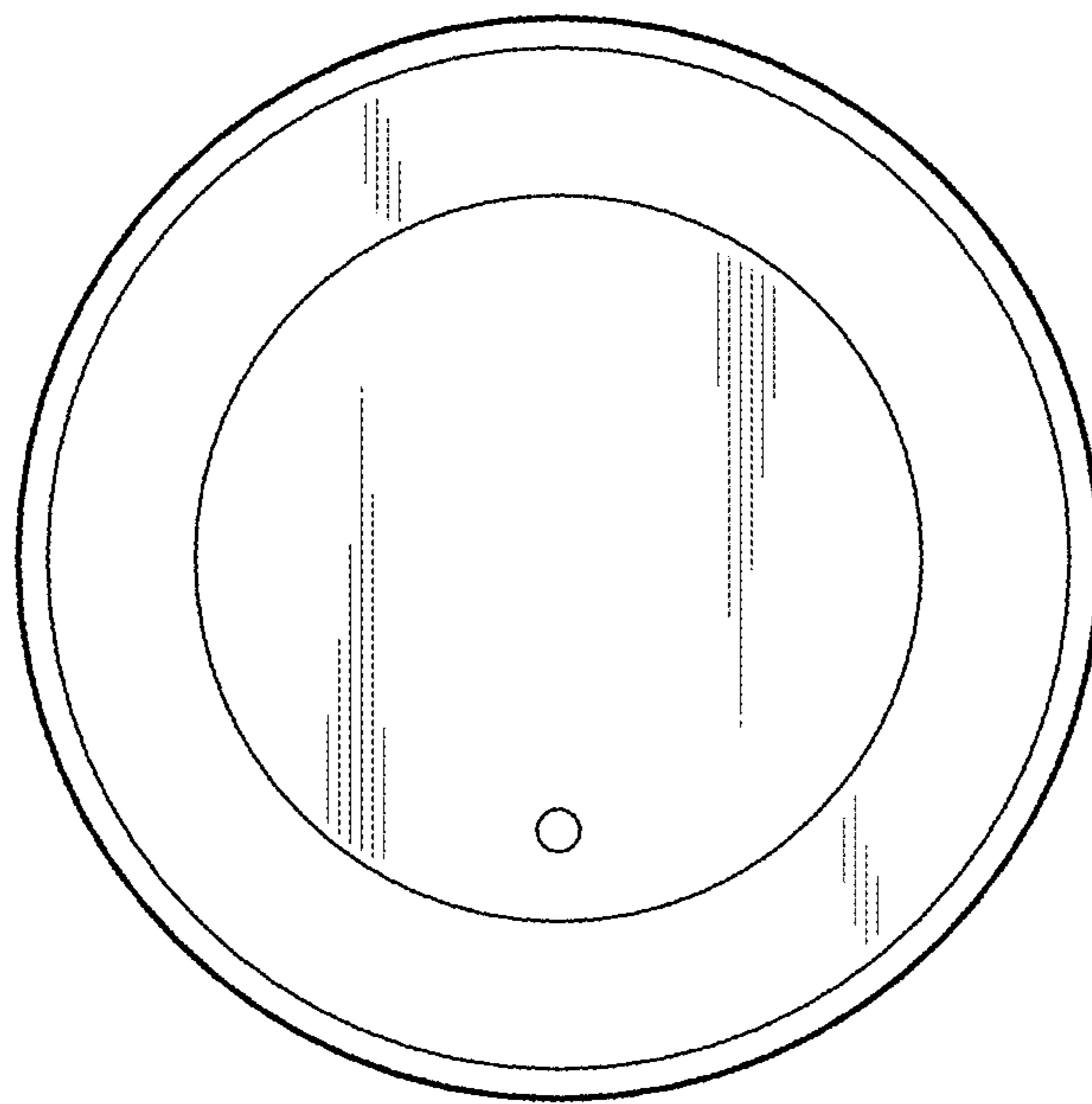


Fig.6

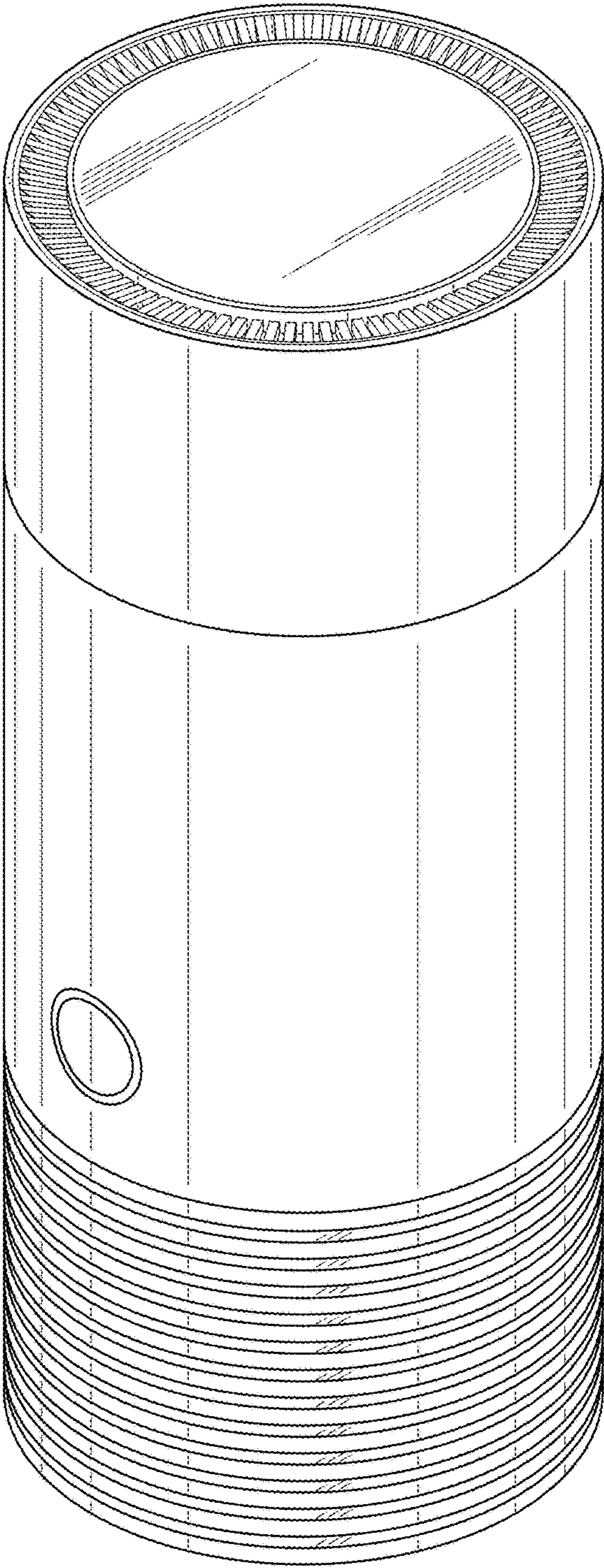


Fig. 7

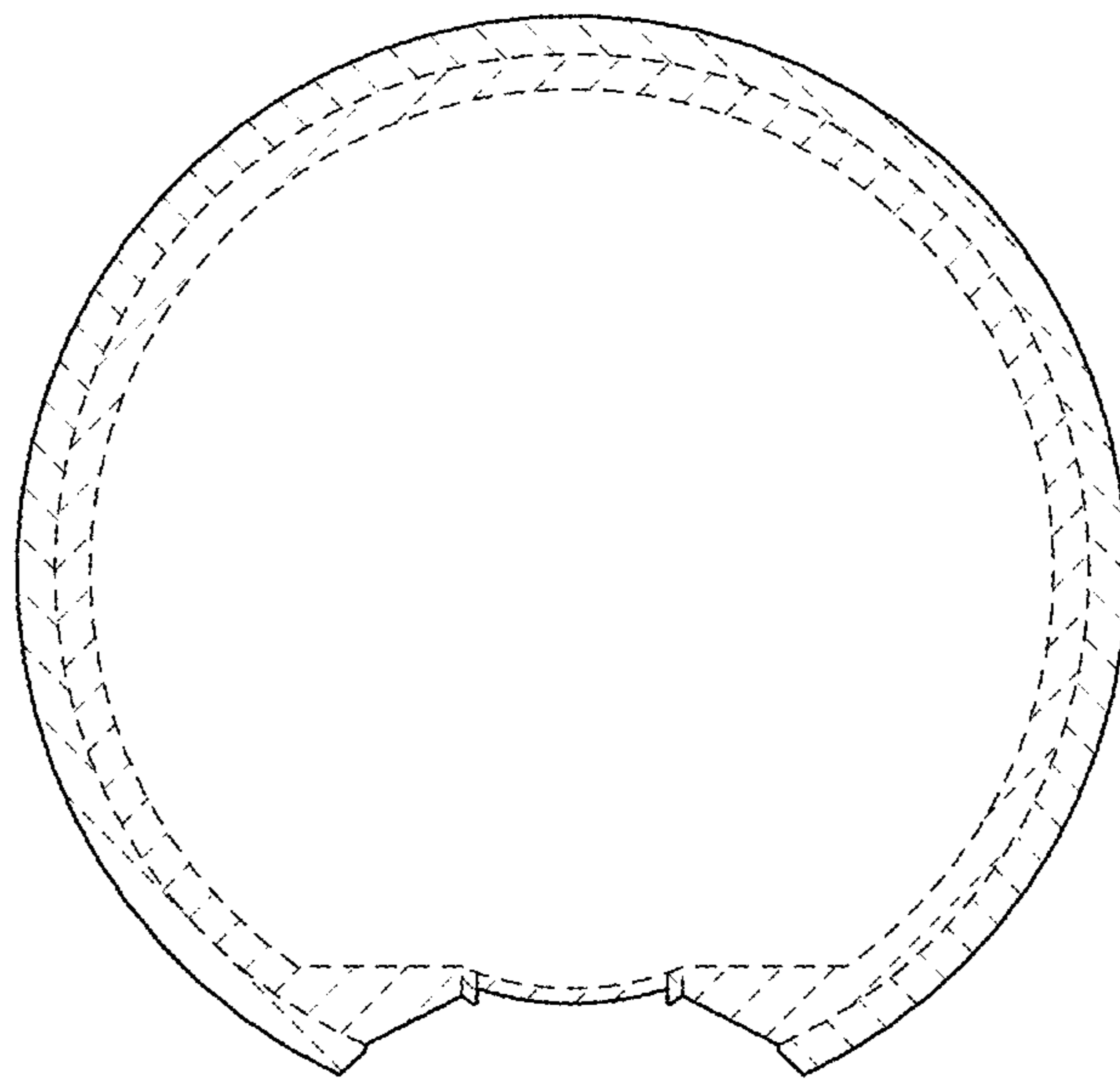


Fig. 8

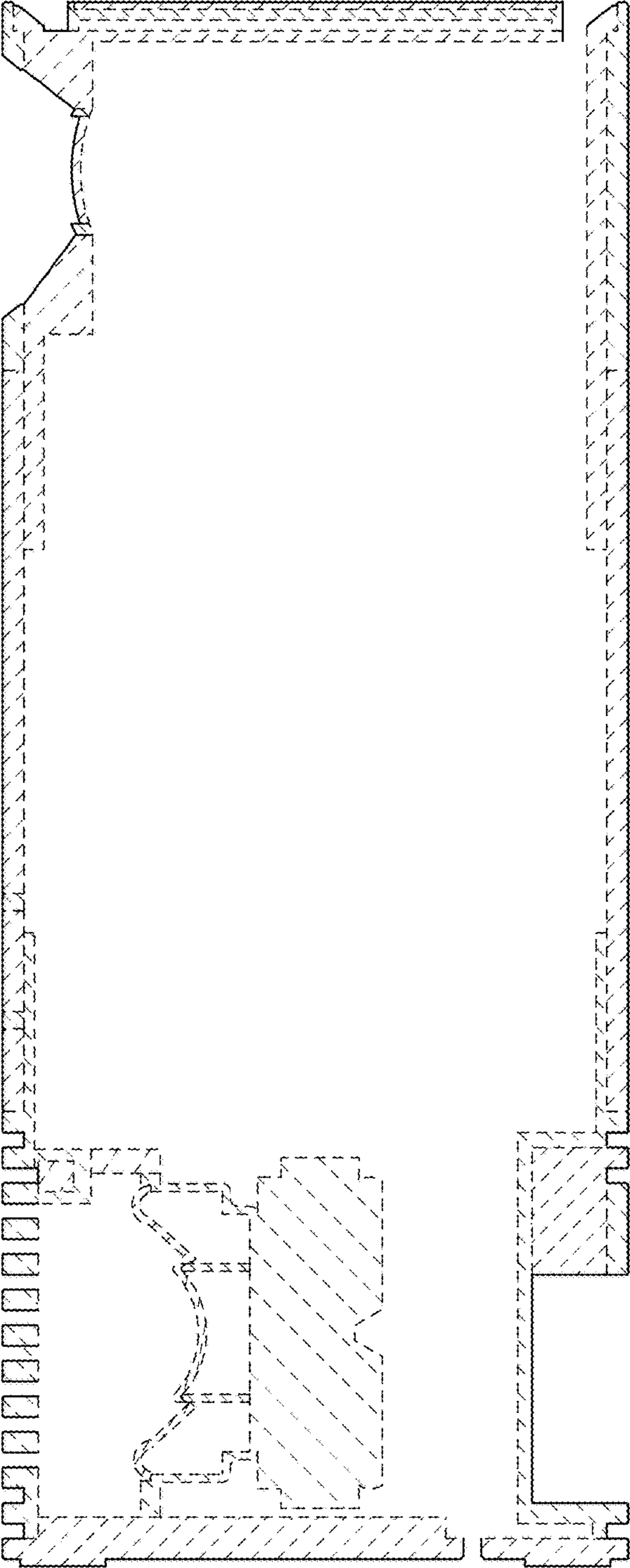


Fig. 9