



US00D813210S

(12) **United States Design Patent**
Benedetti

(10) **Patent No.:** **US D813,210 S**
(45) **Date of Patent:** **** Mar. 20, 2018**

- (54) **ANTENNA HOUSING**
- (71) Applicant: **VOXX International Corporation**,
Hauppauge, NY (US)
- (72) Inventor: **David Anthony Benedetti**, Carmel, IN
(US)
- (73) Assignee: **VOXX International Corporation**,
Hauppauge, NY (US)
- (**) Term: **15 Years**

D358,115 S	5/1995	Rahr	D11/144
5,517,203 A	5/1996	Fiedziuszko	343/756
D390,566 S *	2/1998	Martek	D14/230
D404,368 S *	1/1999	Shimazu	D13/182
D405,430 S *	2/1999	Matsushima	D13/182
D407,696 S *	4/1999	Shimazu	D13/182
D416,173 S	11/1999	Hersch	D7/514
D430,456 S	9/2000	Thuma	D7/509
6,188,364 B1	2/2001	Scordilis	343/702
6,271,799 B1	8/2001	Rief et al.	343/776
6,344,835 B1	2/2002	Allen et al.	343/915
D476,646 S	7/2003	Bums	D14/231
D483,030 S *	12/2003	Melton	D14/230

(Continued)

- (21) Appl. No.: **29/569,063**
- (22) Filed: **Jun. 23, 2016**
- (51) **LOC (11) Cl.** **14-03**
- (52) **U.S. Cl.**
USPC **D14/230**
- (58) **Field of Classification Search**
USPC D14/138, 230, 231, 232, 234, 235, 236,
D14/237, 238, 238.1, 250, 299, 358
CPC G01R 29/10; G01S 2013/0245; G01S
2013/0254; G01S 2013/0263; G01S
7/4026; G05B 2219/45001; G06K
19/07773; G06K 19/07775; G06K
19/07777; G08B 13/2468; G08B 13/2477;
H01Q 1/088
See application file for complete search history.

(56) **References Cited**

U.S. PATENT DOCUMENTS

1,619,981 A	3/1927	Knut	379/454
2,489,287 A	11/1949	Guarino et al.	343/848
D172,500 S	6/1954	Gurmin	D14/234
3,829,863 A	8/1974	Lipsky	343/773
4,218,684 A	8/1980	Northcutt	343/715
4,278,955 A	7/1981	Lunden	333/33
D271,766 S	12/1983	Eckmann et al.	D14/233
D282,172 S	1/1986	Mabuchi	D14/233
D284,965 S	8/1986	Nakamura	D14/233
4,980,807 A	12/1990	Von Kohorn	362/122

FOREIGN PATENT DOCUMENTS

CN	102356481	2/2012	H01L 35/00
WO	WO/2010/080695	7/2010	H01L 35/00

Primary Examiner — Ian Simmons

Assistant Examiner — Mojtaba Tehrani

(74) *Attorney, Agent, or Firm* — Bodner & O'Rourke,
LLP; Gerald T. Bodner; Christian P. Bodner

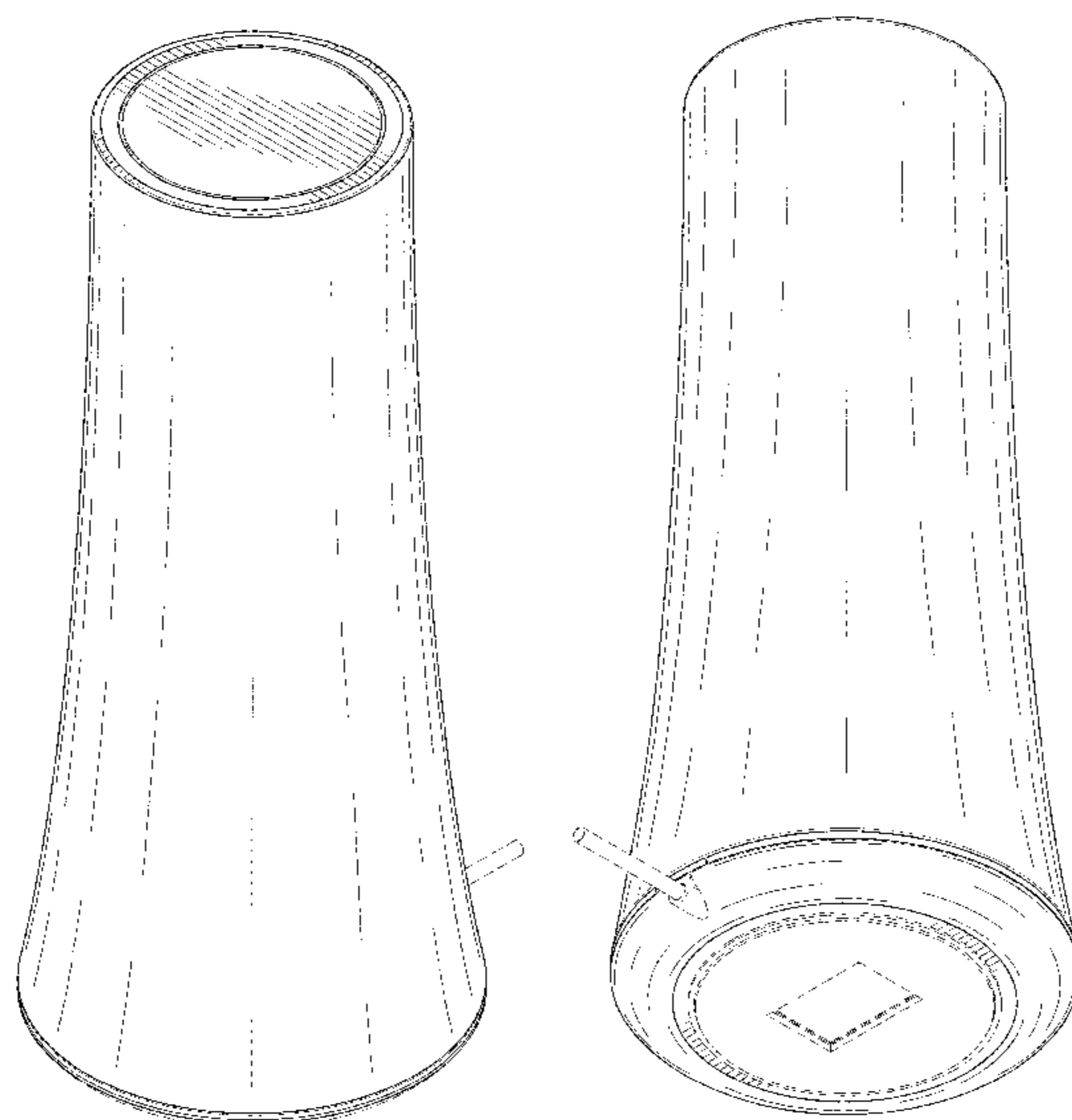
(57) **CLAIM**

The ornamental design of an antenna housing, substantially as shown and described.

DESCRIPTION

FIG. 1 is a top perspective view of an antenna housing, showing my new design;
 FIG. 2 is a bottom perspective view thereof;
 FIG. 3 is a top plan view thereof;
 FIG. 4 is a bottom plan view thereof;
 FIG. 5 is a left elevational view thereof;
 FIG. 6 is a right elevational view thereof;
 FIG. 7 is a front elevational view thereof; and,
 FIG. 8 is a rear elevational view thereof.
 The broken line in the figure drawings represents unclaimed portion of the design only, which forms no part of the claim.

1 Claim, 8 Drawing Sheets



(56)

References Cited

U.S. PATENT DOCUMENTS

D496,651	S *	9/2004	Borsboom	D14/216
D531,452	S	11/2006	Toth	D7/523
D534,898	S *	1/2007	Rashid	D14/216
D537,073	S *	2/2007	Peersman	D14/213
D551,217	S *	9/2007	Hagiwara	D14/230
D560,788	S *	1/2008	Farrell	D23/366
D575,987	S	9/2008	Williams	D7/523
D577,959	S *	10/2008	Sandberg	D7/509
D582,534	S *	12/2008	Conway	D11/152
D588,252	S	3/2009	Conway et al.	D23/366
D604,277	S *	11/2009	Benedetti	D14/230
8,299,976	B2	10/2012	Lenzi et al.	343/793
D684,312	S *	6/2013	Badawi	D27/162
D696,646	S *	12/2013	Deguchi	D14/216
D713,195	S *	9/2014	Hu	D7/354
D723,481	S *	3/2015	Park	D14/125
D723,514	S *	3/2015	Lukic	D14/213
D735,163	S *	7/2015	Valeur	D14/216
D758,347	S *	6/2016	Hinokio	D14/215
D767,535	S *	9/2016	Koo	D14/214
D773,704	S *	12/2016	Pardo	D26/41
2006/0125706	A1	6/2006	Amyotte et al.	343/786
2007/0296641	A1	12/2007	Cook	343/786
2010/0289716	A1 *	11/2010	Lenzi	H01Q 1/22 343/793

* cited by examiner

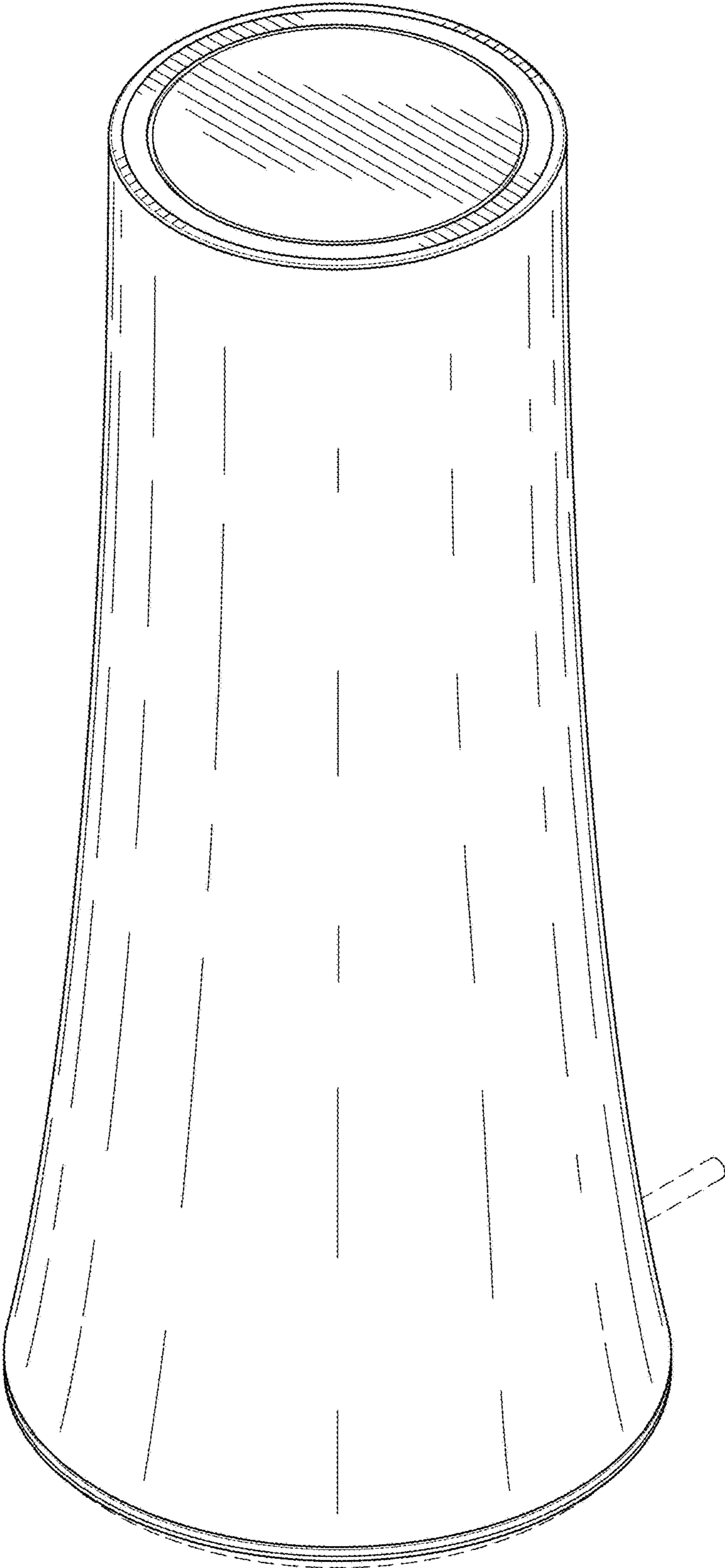


FIG. 1

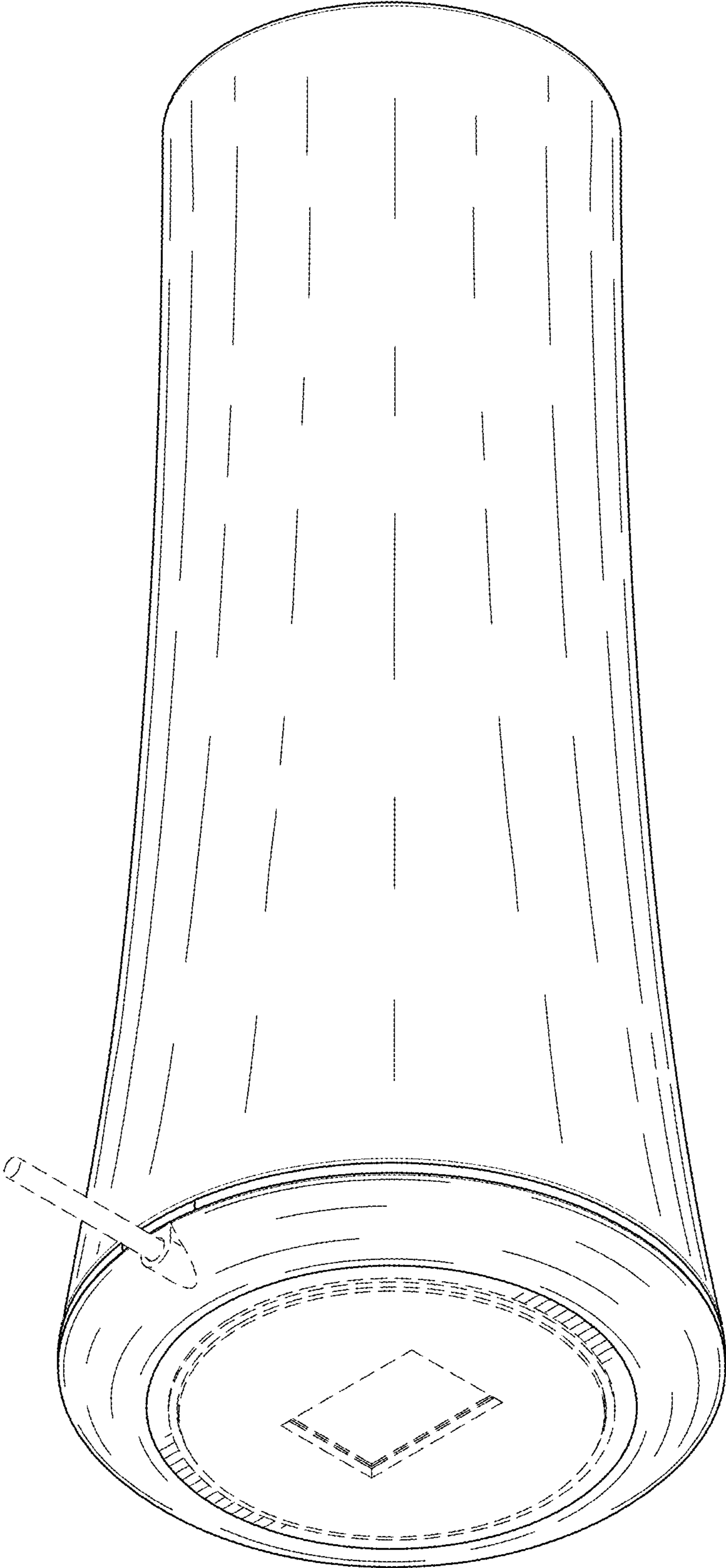


FIG. 2

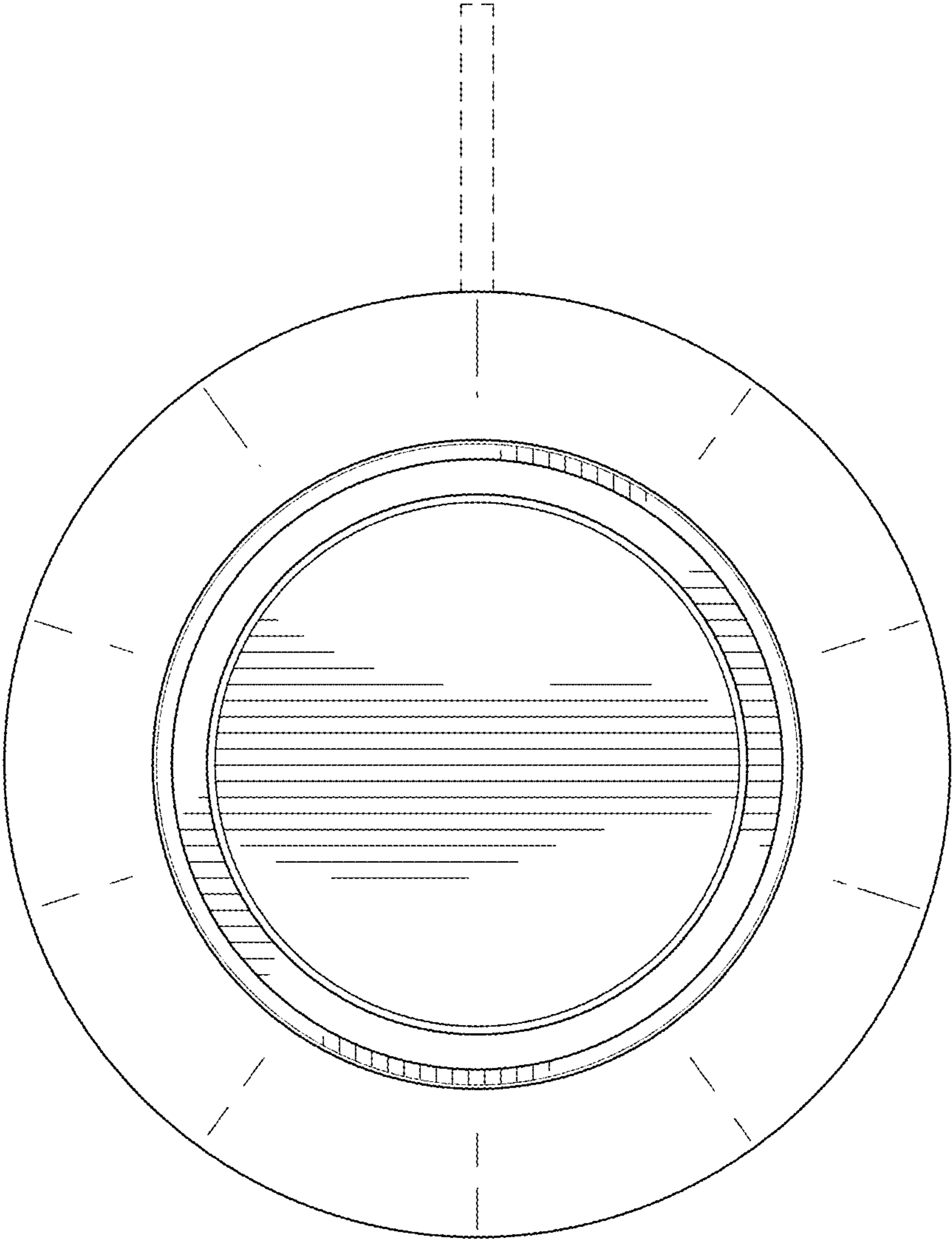


FIG. 3

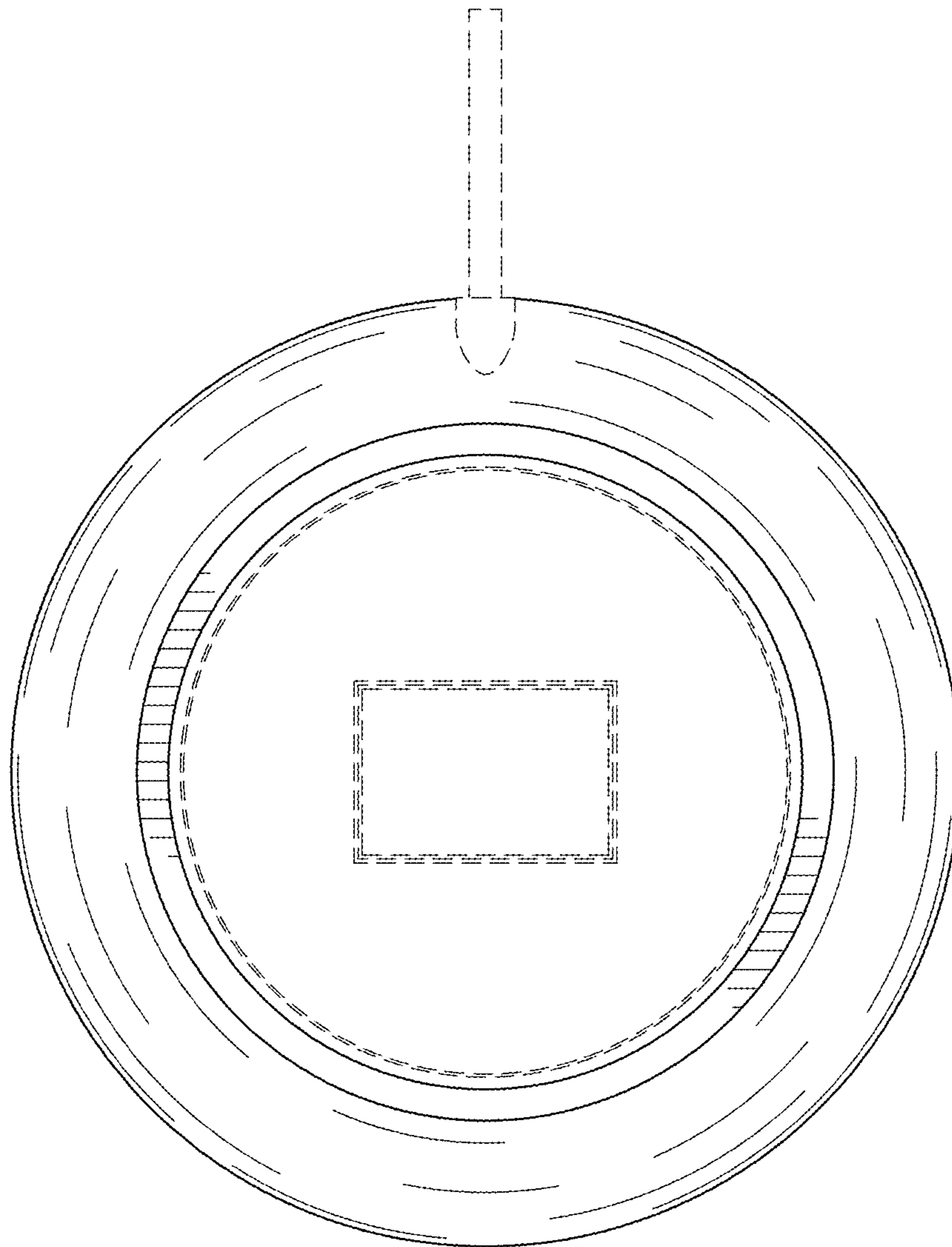


FIG. 4

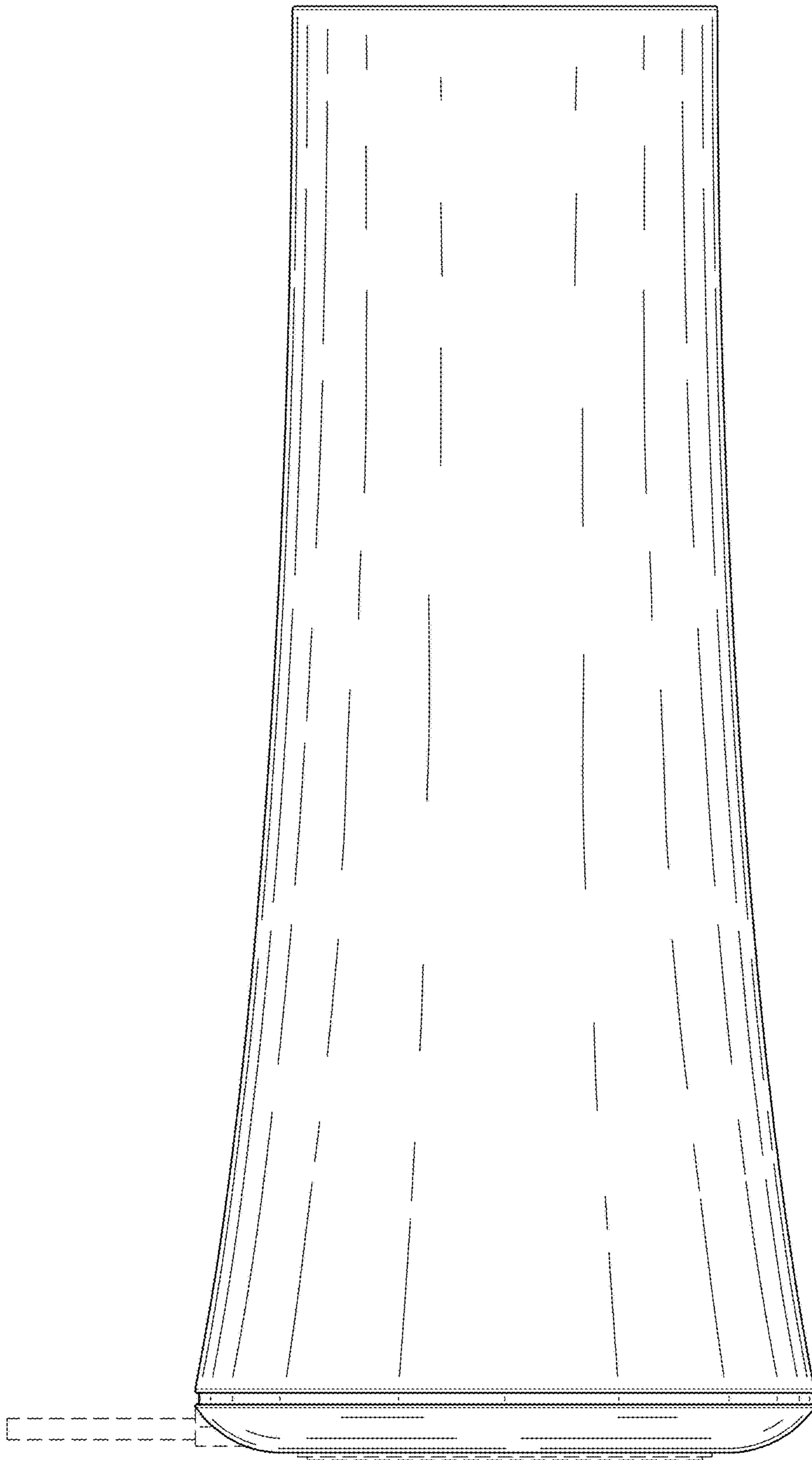


FIG. 5

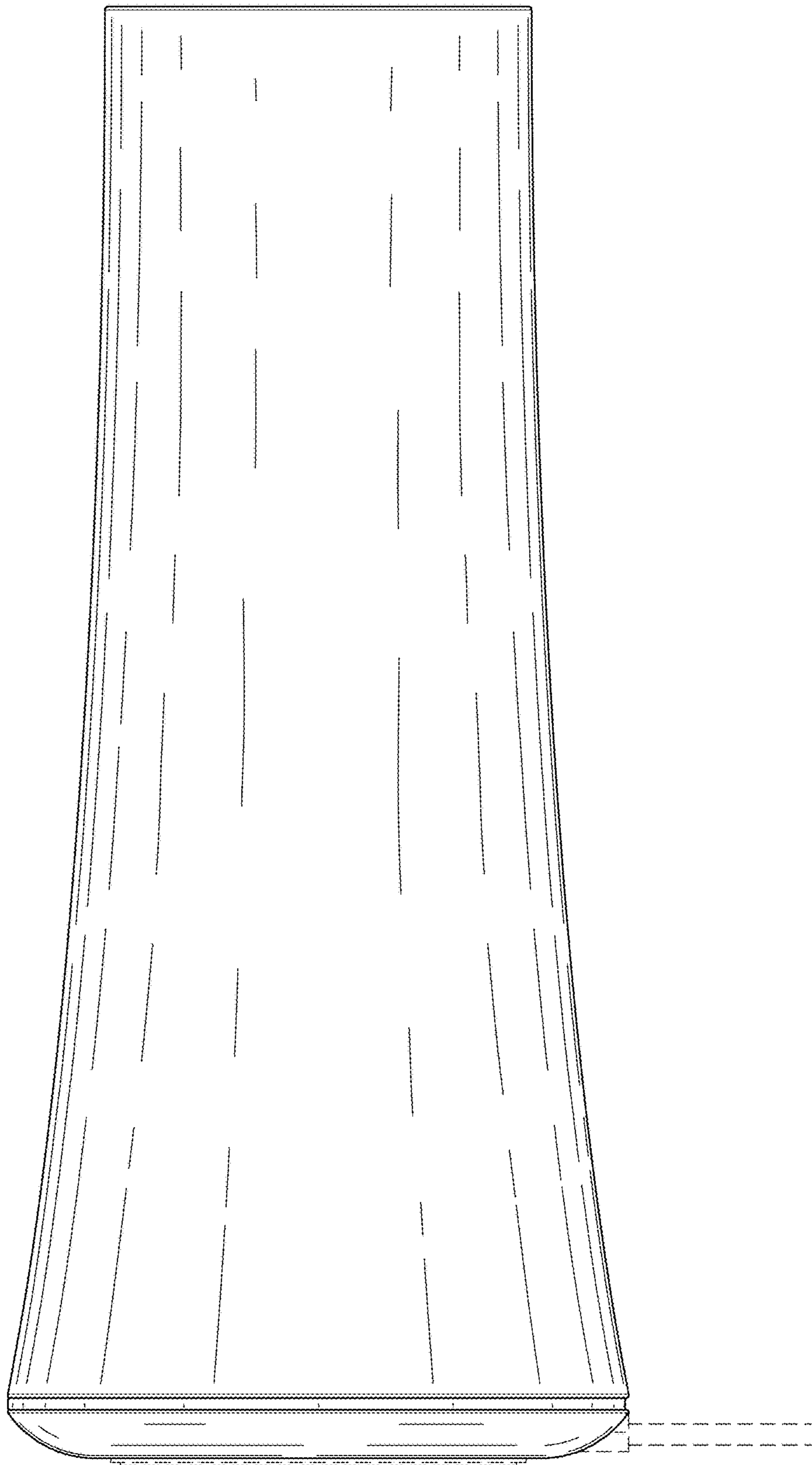


FIG. 6

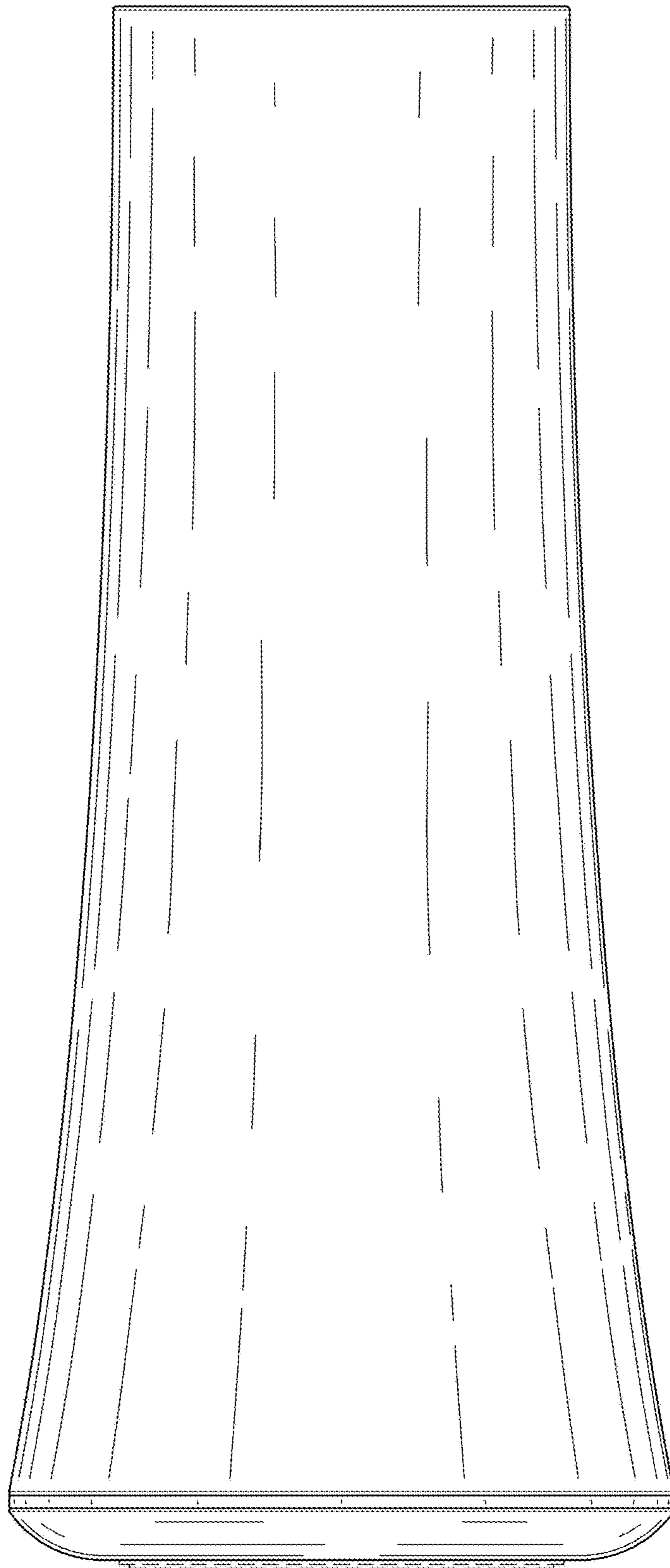


FIG. 7

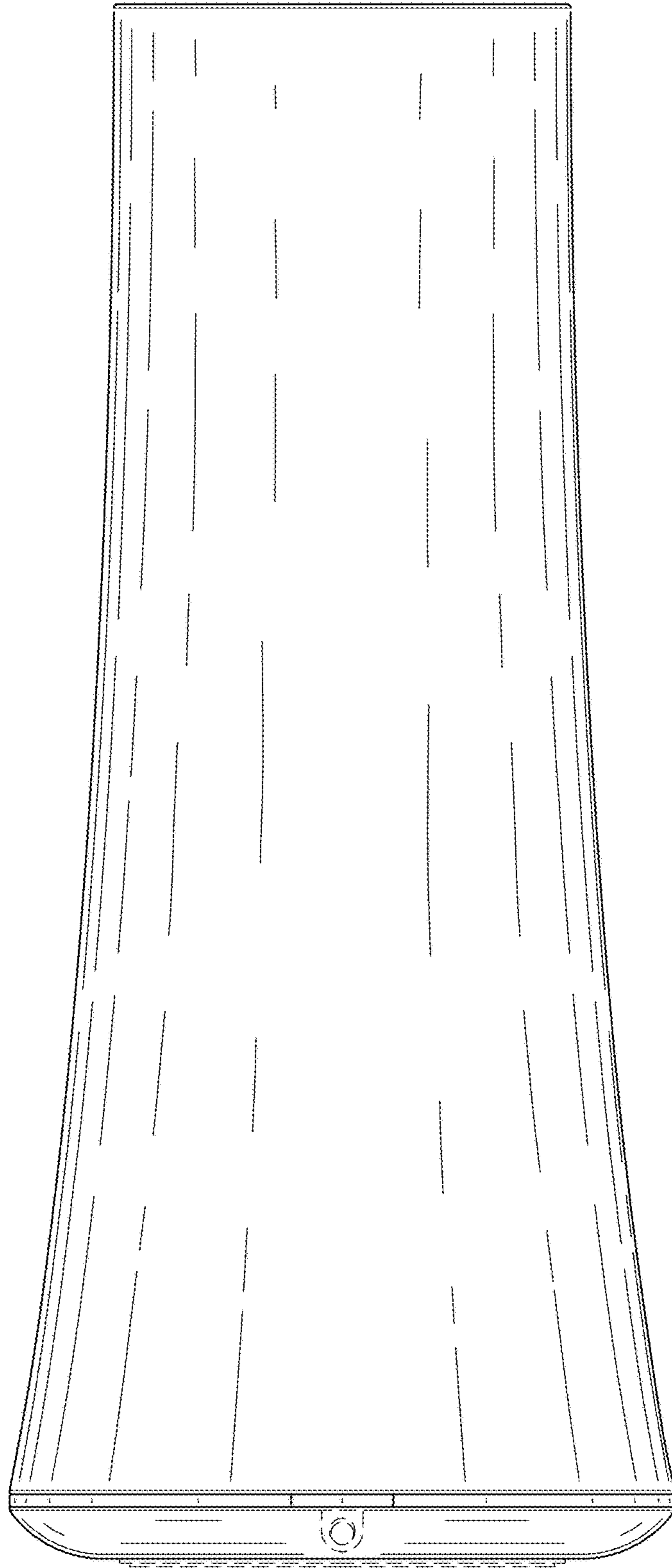


FIG. 8