



US00D813209S

(12) **United States Design Patent**
Johnson

(10) **Patent No.:** **US D813,209 S**
(45) **Date of Patent:** **** Mar. 20, 2018**

(54) **ANTENNA HOUSING**

(71) Applicant: **Laird Technologies, Inc.**, Earth City, MO (US)

(72) Inventor: **Shawn Wayne Johnson**, Allenstown, NH (US)

(73) Assignee: **Laird Technologies, Inc.**, Earth City, MO (US)

(**) Term: **15 Years**

(21) Appl. No.: **29/562,857**

(22) Filed: **Apr. 29, 2016**

(51) **LOC (11) Cl.** **14-03**

(52) **U.S. Cl.**
USPC **D14/230**

(58) **Field of Classification Search**
USPC D14/138, 230, 231, 232, 233, 234, 235, D14/236, 237, 238, 238.1, 299, 358; D13/175, 182
CPC G01R 29/10; G01S 2013/0245; G01S 2013/0254; G01S 2013/0263; G01S 7/4026; G05B 2219/45001; G06K 19/07773; G06K 19/07775; G06K 19/07777; G08B 13/2468; G08B 13/2477; H01Q 1/088

See application file for complete search history.

(56) **References Cited**

U.S. PATENT DOCUMENTS

D217,256 S * 4/1970 Kahn D14/230
D269,249 S * 6/1983 Cillario D9/424
D297,007 S * 8/1988 Pushelberg D14/496
D306,583 S * 3/1990 Krolopp D13/184
D324,514 S * 3/1992 Ishida D14/358
D378,592 S * 3/1997 Hartwig D14/230
D483,353 S * 12/2003 Hyogo D14/230
D493,447 S * 7/2004 Noro D14/230
D497,074 S * 10/2004 Dardashti D6/407

D497,508 S * 10/2004 Dardashti D6/407
D515,075 S * 2/2006 Kusanagi D14/230
D515,076 S * 2/2006 Kusanagi D14/230
D531,995 S * 11/2006 Shinkawa D14/230
D537,445 S * 2/2007 Bousfield D14/383
D593,078 S * 5/2009 Sato D14/230
D594,864 S * 6/2009 Song D14/358
D639,734 S * 6/2011 Ferber D13/108
D649,945 S * 12/2011 Kim D14/125
D664,126 S * 7/2012 Feit D14/230
D683,720 S * 6/2013 Quinlan D14/230

(Continued)

OTHER PUBLICATIONS

<https://www.digikey.com/en/product-highlight/1/laird-embedded-wireless-solutions/psq24495-mimo-panel-antenna>—Published Jun. 27, 2017.*

(Continued)

Primary Examiner — Manpreet Matharu
Assistant Examiner — Mojtaba Tehrani
(74) *Attorney, Agent, or Firm* — Harness, Dickey & Pierce, P.L.C.

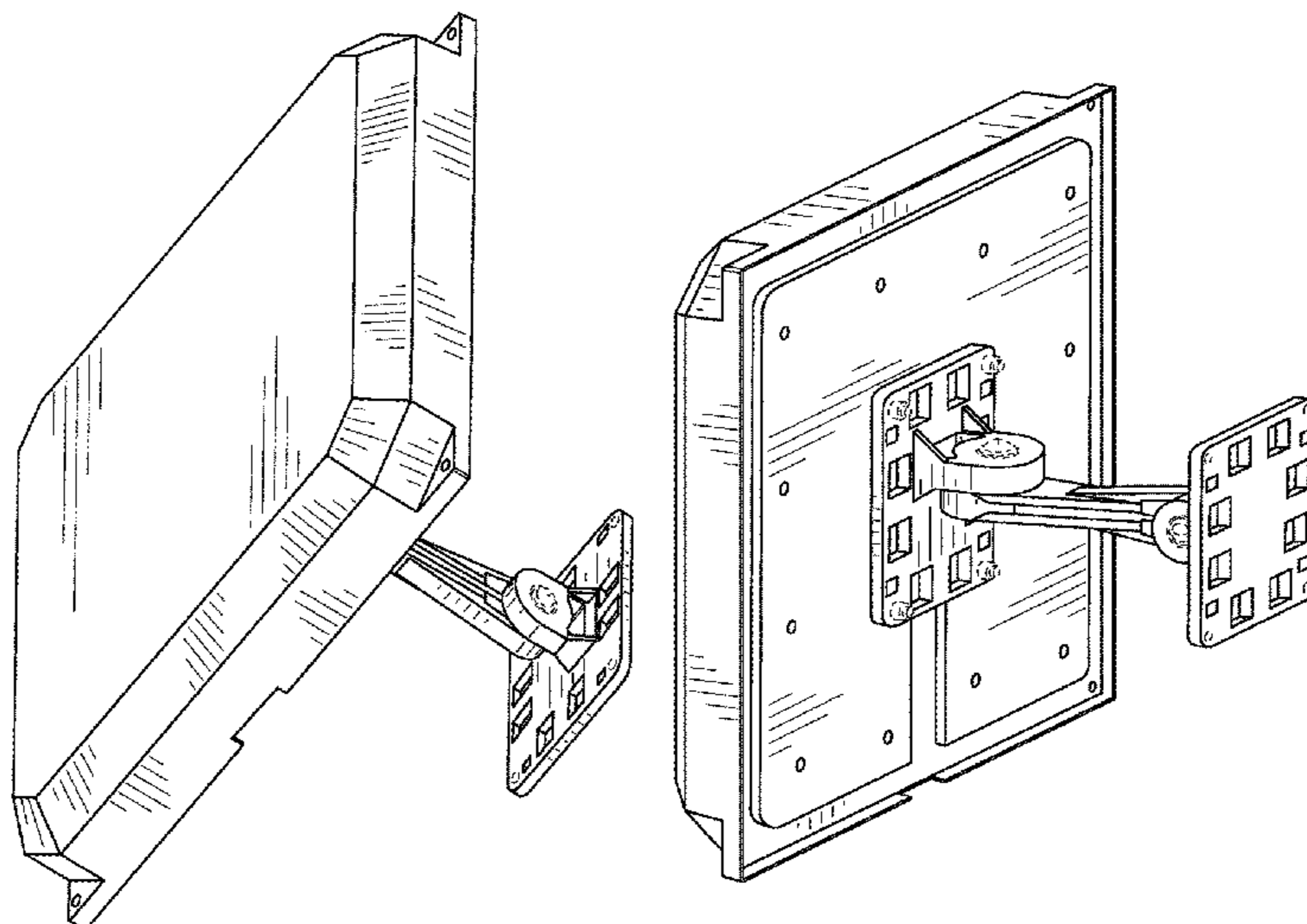
(57) **CLAIM**

The ornamental design for an antenna housing, as shown and described.

DESCRIPTION

FIG. 1 is a front right perspective view of an antenna housing, showing my new design;
FIG. 2 is a rear perspective view thereof;
FIG. 3 is a front elevation view thereof;
FIG. 4 is a rear elevation view thereof;
FIG. 5 is a right side elevation view thereof;
FIG. 6 is a left side elevation view thereof;
FIG. 7 is a top plan view thereof; and,
FIG. 8 is a bottom plan view thereof.
The broken line in the figure drawings represents unclaimed environment only and forms no part of the claimed design.

1 Claim, 6 Drawing Sheets



(56)

References Cited

U.S. PATENT DOCUMENTS

D694,233	S *	11/2013	Hoofnagle	D14/356
D704,176	S *	5/2014	Kwak	D14/240
D727,259	S *	4/2015	Hwang	D13/108
9,000,991	B2	4/2015	Ramberg et al.	
D728,577	S *	5/2015	Amit	D14/435
D730,328	S *	5/2015	Chun	D14/230
D746,279	S *	12/2015	Bajwa	D14/341
D748,597	S *	2/2016	Boynton	D14/188
D766,892	S *	9/2016	Bajwa	D14/341
D785,608	S *	5/2017	Weaver	D14/240
9,692,130	B2 *	6/2017	Nakamura	H01Q 7/06
9,716,318	B2 *	7/2017	Shirley	H01Q 9/0407

OTHER PUBLICATIONS

<https://assets.lairdtech.com/home/brandworld/files/IAS-DS-PSQ24495%200417.pdf>—Retrieved Aug. 10, 2017.*
Parabolic antenna JRC-35 Duplex, <http://en.jirous.com/antenna-5ghz-panel-sector>, accessed Apr. 28, 2016, 2 pages.

* cited by examiner

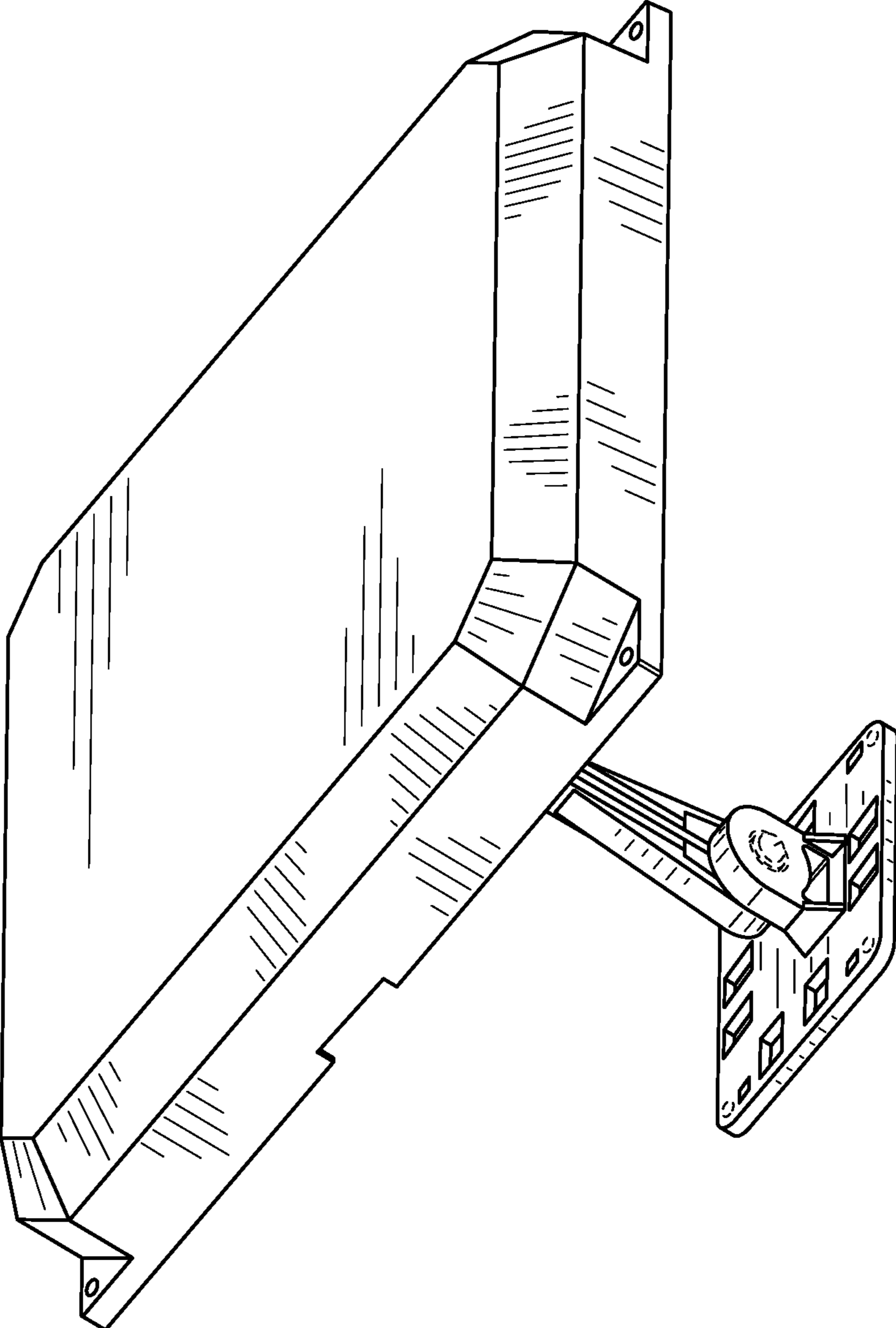


FIG. 1

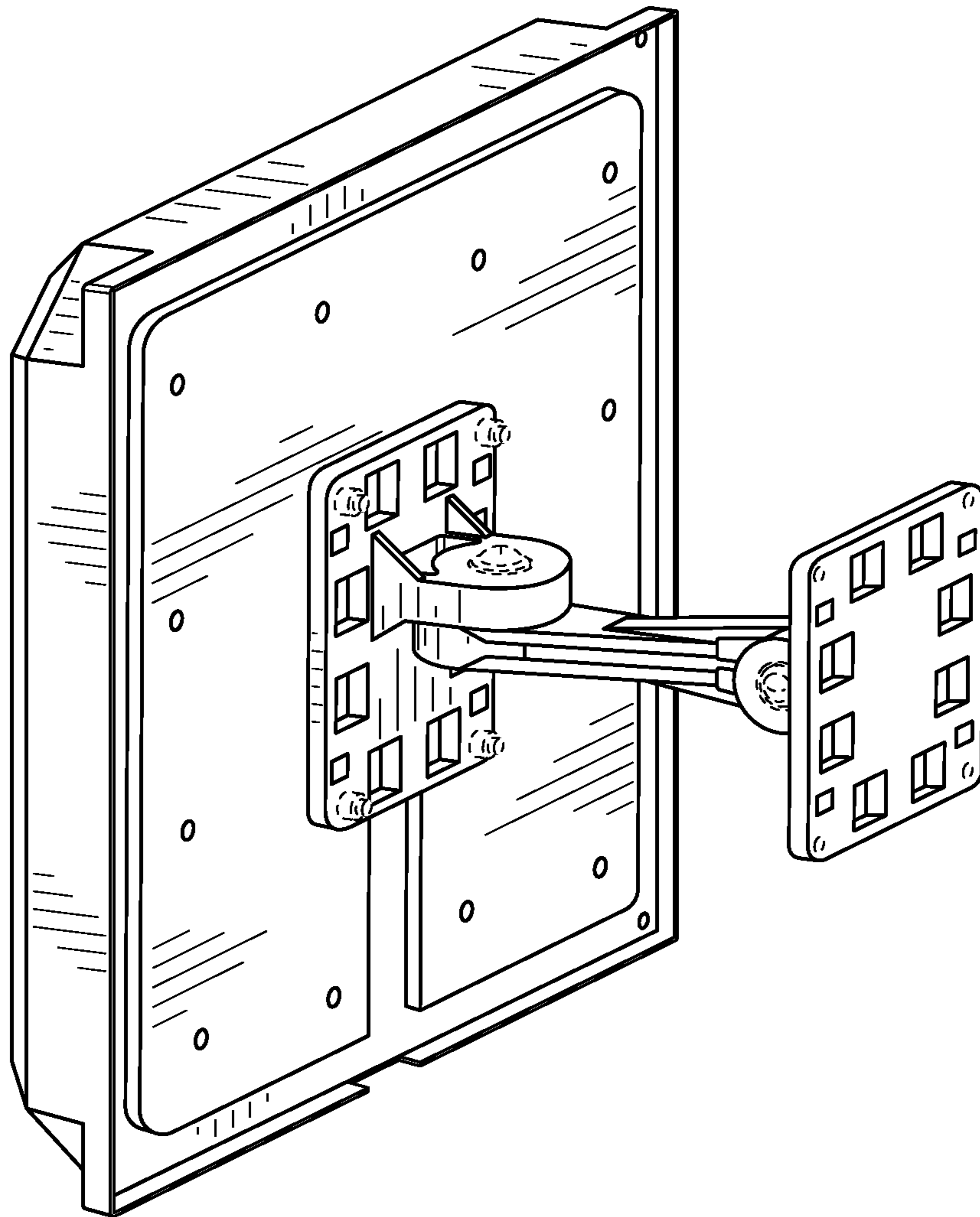


FIG. 2

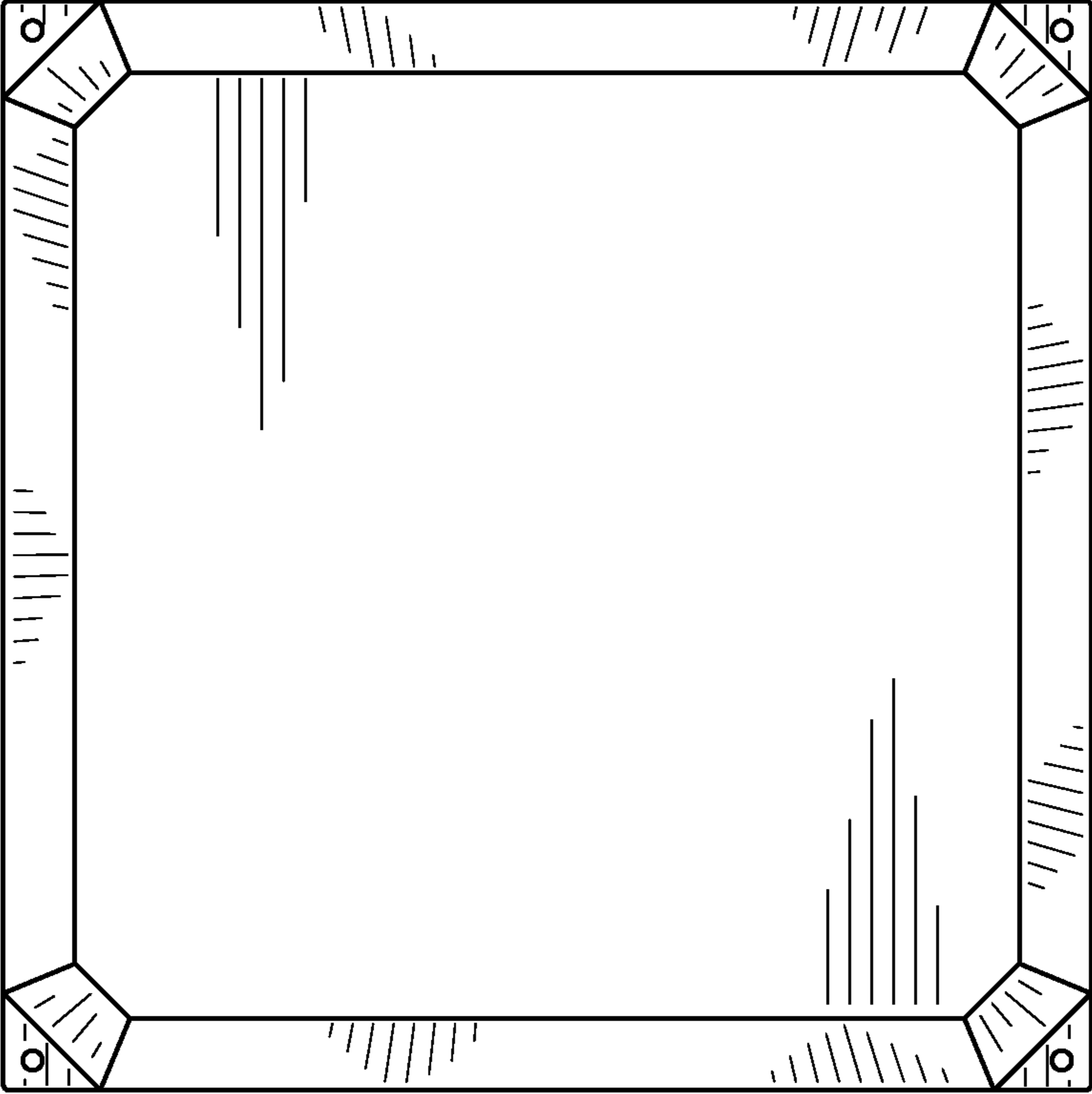


FIG. 3

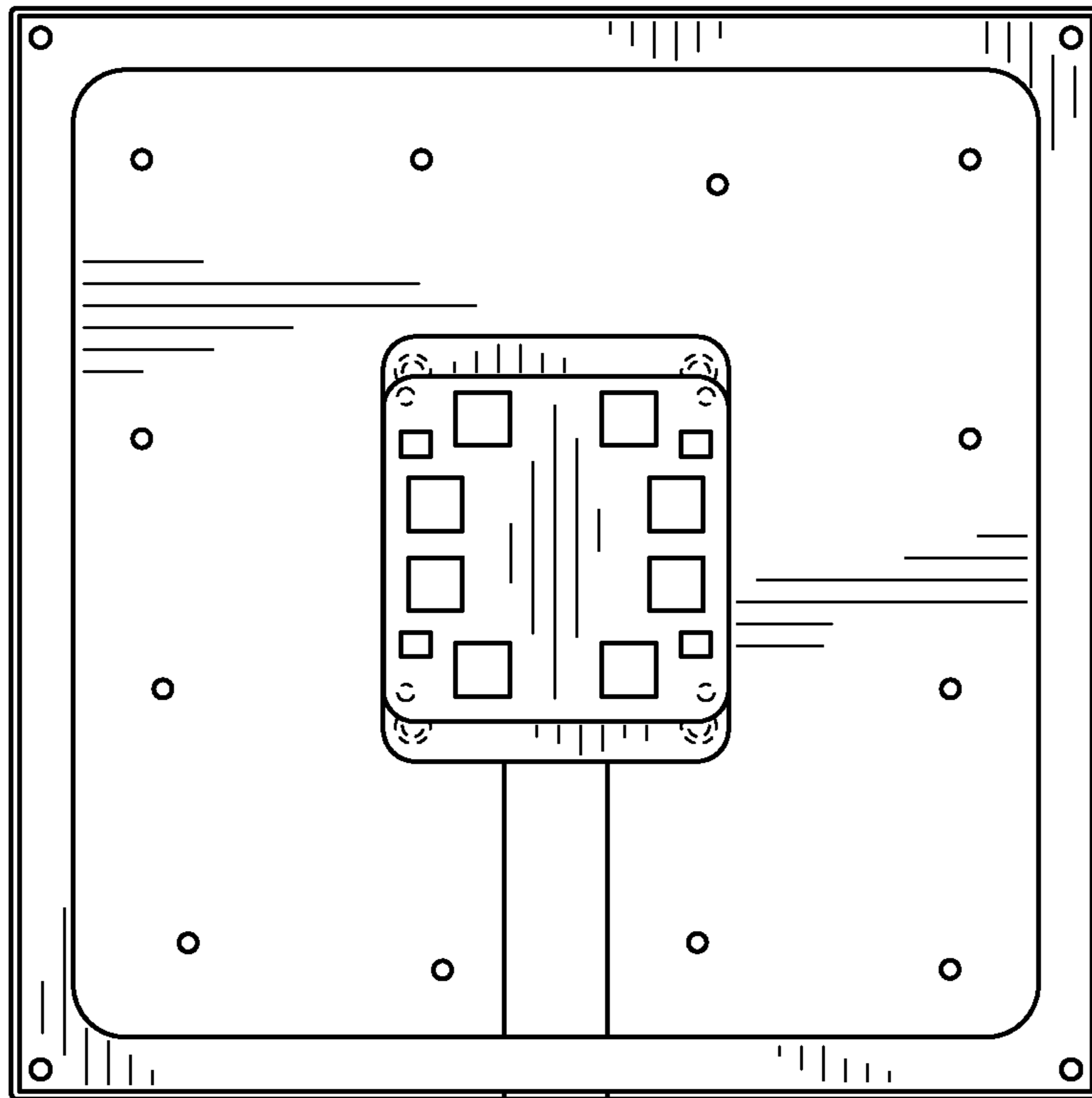


FIG. 4

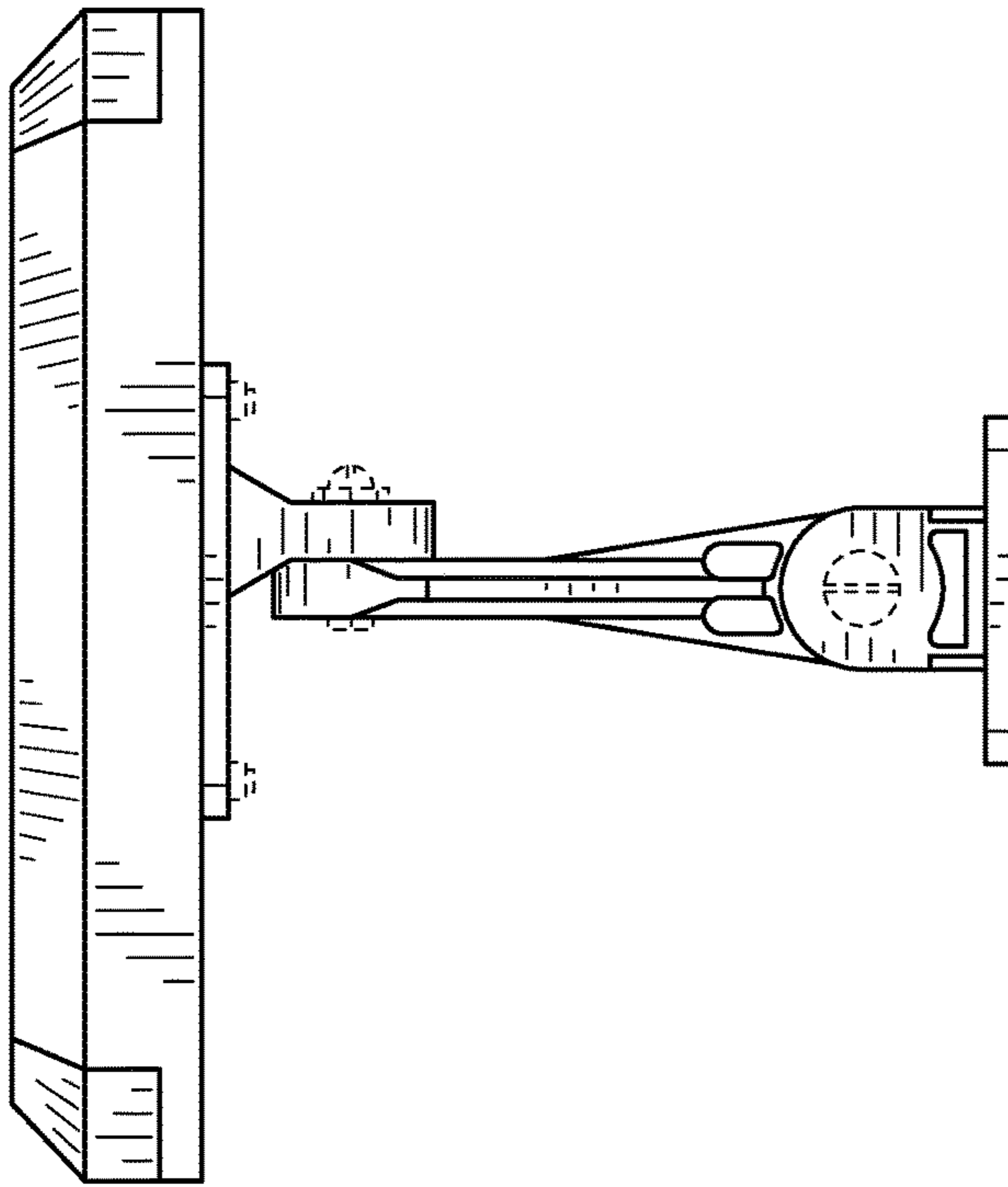


FIG. 5

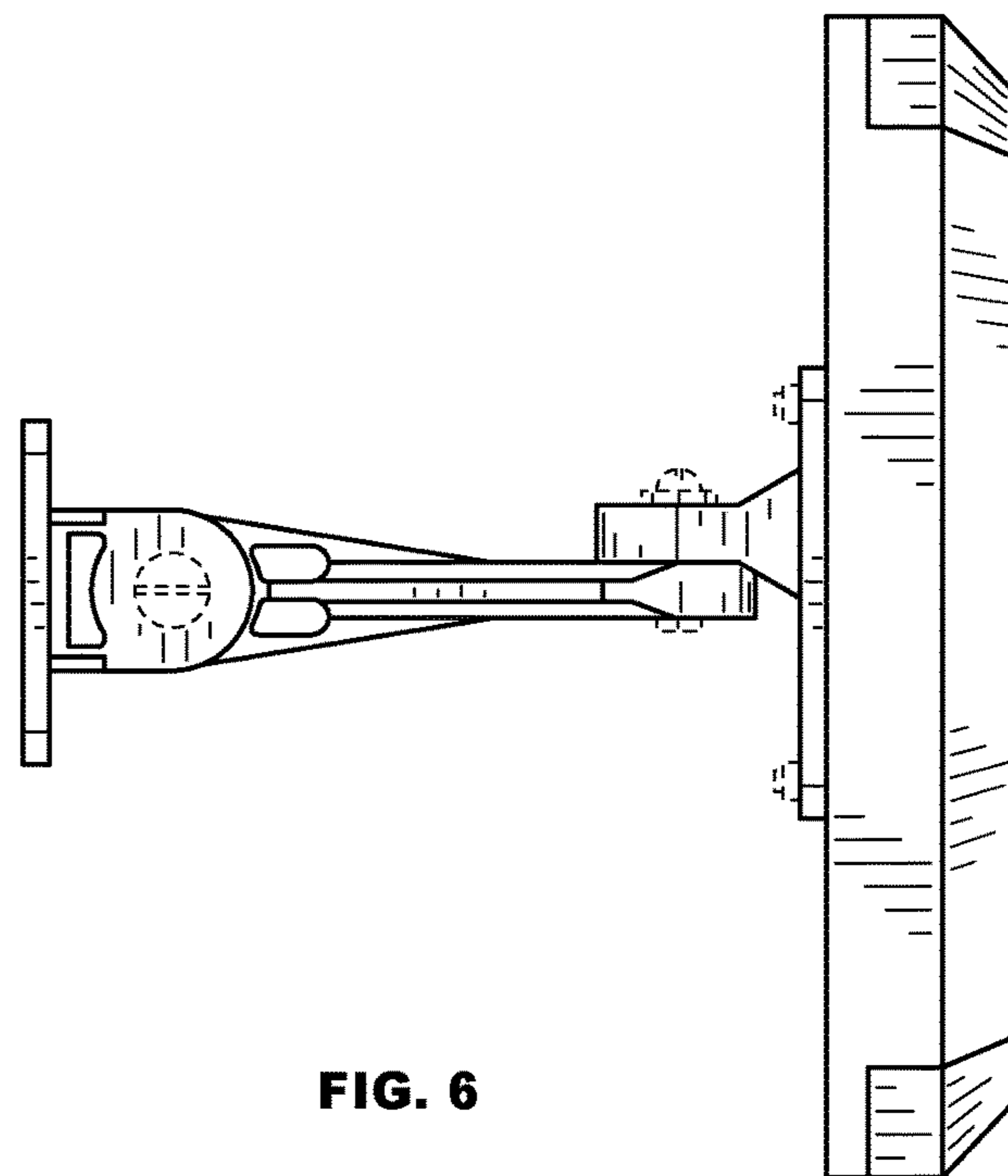


FIG. 6

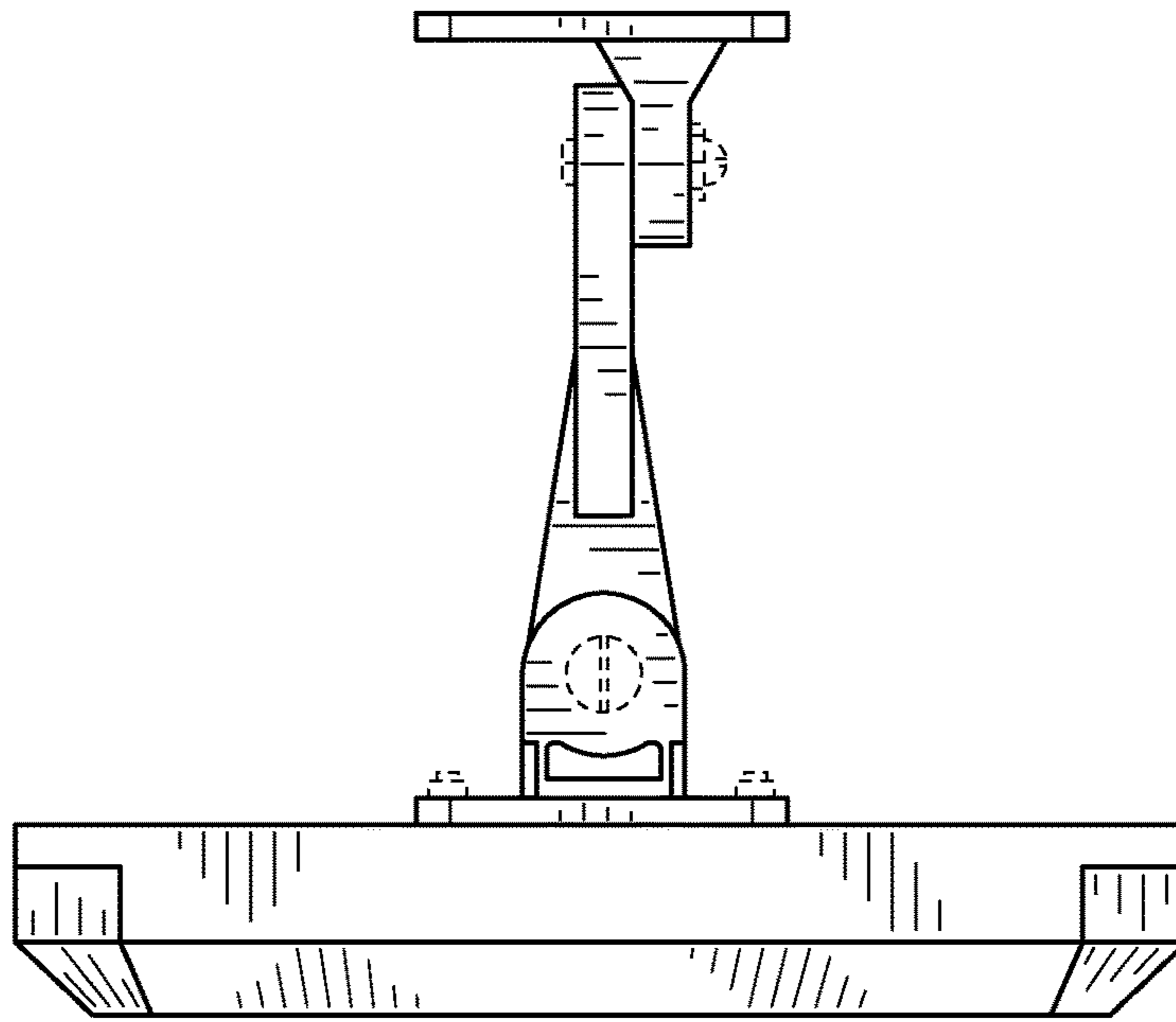


FIG. 7

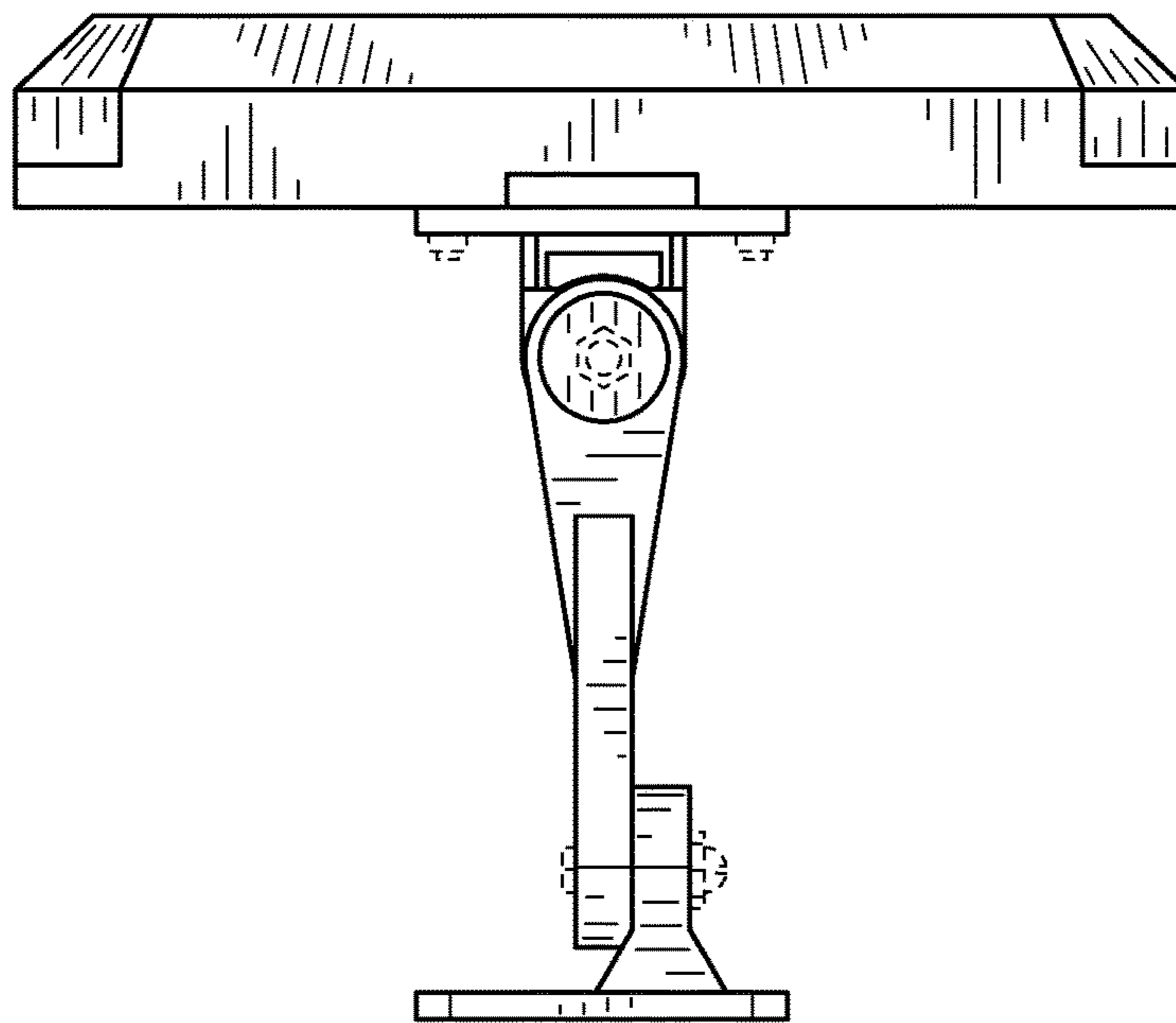


FIG. 8