



US00D813208S

(12) **United States Design Patent**
Nie

(10) **Patent No.:** **US D813,208 S**
(45) **Date of Patent:** **** Mar. 20, 2018**

- (54) **MICROPHONE**
- (71) Applicant: **SHENZHEN ESEOE TECHNOLOGY CO., LIMITED**,
Shenzhen, Guangdong (CN)
- (72) Inventor: **Yicai Nie**, Guangdong (CN)
- (73) Assignee: **SHENZHEN ESEOE TECHNOLOGY CO., LIMITED**,
Shenzhen (CN)
- (**) Term: **15 Years**
- (21) Appl. No.: **29/588,637**
- (22) Filed: **Dec. 22, 2016**
- (51) **LOC (11) Cl.** **14-01**
- (52) **U.S. Cl.**
USPC **D14/226**
- (58) **Field of Classification Search**
USPC D14/226, 225, 228, 160, 165, 167, 189,
D14/188, 196; D21/515, 516; D17/24;
381/111, 113, 355, 359, 360, 361, 386;
84/454, 601, 743, 610; 455/95, 117, 129
CPC H04R 25/00; H04R 5/00; H04R 1/102;
H05K 5/00; G09G 5/00; G09G 5/36;
A47B 81/06
See application file for complete search history.

- (56) **References Cited**
U.S. PATENT DOCUMENTS
D209,060 S * 10/1967 Probst D14/167
4,064,374 A * 12/1977 Sato B60R 11/02
360/137
D247,707 S * 4/1978 Armstrong D14/228
4,344,184 A * 8/1982 Edwards H04L 31/04
343/702
4,654,728 A * 3/1987 Lunsford G11B 33/025
360/112
D295,759 S * 5/1988 Kolich D14/226

- D302,819 S * 8/1989 Kubota D14/225
- D304,832 S * 11/1989 Murphy D14/165
- 4,910,795 A * 3/1990 McCowen H04R 1/04
381/355
- D310,368 S * 9/1990 Derhaag D14/225
- D323,326 S * 1/1992 Takawo D14/160
- 5,208,717 A * 5/1993 Takao G11B 25/06
360/1
- 5,349,480 A * 9/1994 Takao G10H 1/361
360/1
- 5,606,143 A * 2/1997 Young G10H 1/0066
348/E5.099
- 5,706,359 A * 1/1998 Chang H04R 1/08
381/355
- 6,025,553 A * 2/2000 Lee G10H 1/365
84/602
- 6,061,457 A * 5/2000 Stockhamer H04R 1/00
367/140
- D435,037 S * 12/2000 Liu D14/228
- D449,041 S * 10/2001 Koike D14/228
- 6,463,159 B1 * 10/2002 Ming-Cheng H04R 1/08
381/355

(Continued)

Primary Examiner — Paula Allen Greene

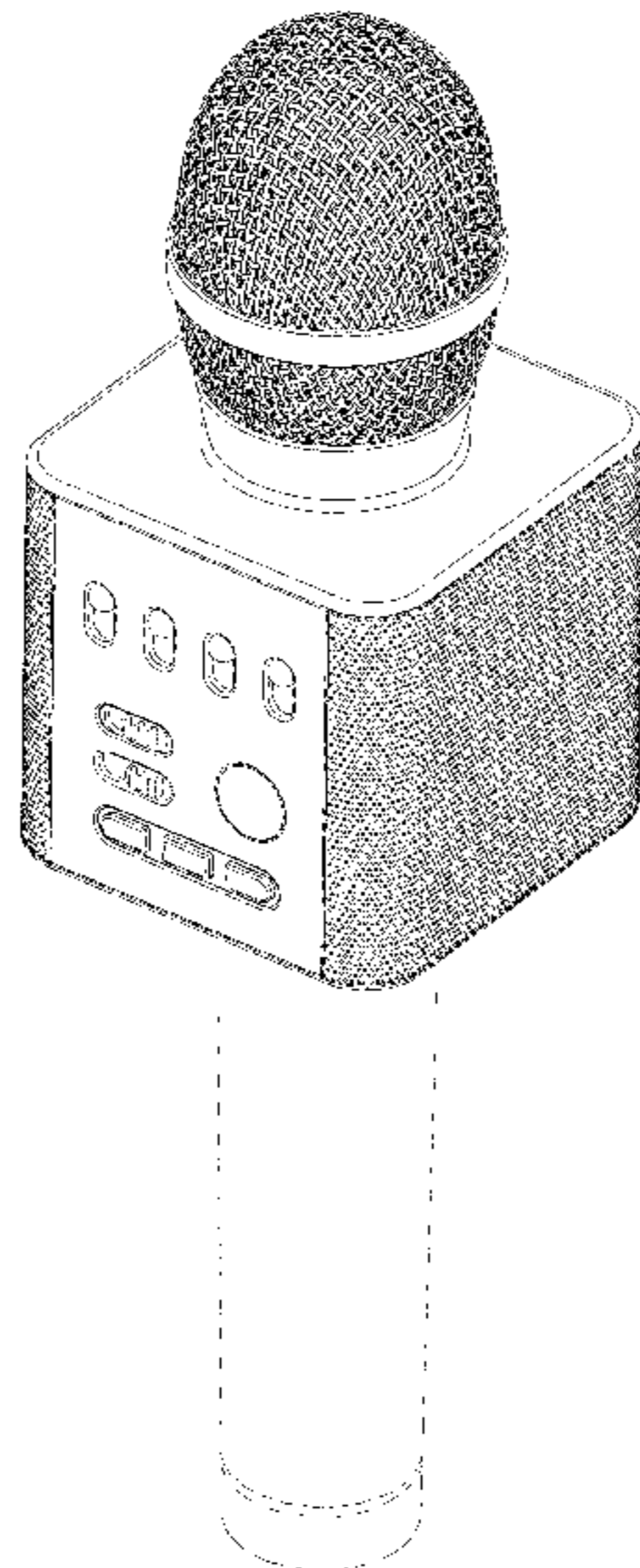
(57) **CLAIM**

The ornamental design for a microphone, as shown and described.

DESCRIPTION

FIG. 1 is a perspective view of a microphone showing my new design;
 FIG. 2 is a front elevational view thereof;
 FIG. 3 is a rear elevational view thereof;
 FIG. 4 is a left side view thereof;
 FIG. 5 is a right side view thereof;
 FIG. 6 is a top plan view thereof; and,
 FIG. 7 is a bottom plan view thereof.
 The broken lines in the drawings illustrate portions of the microphone which form no part of the claimed design.

1 Claim, 7 Drawing Sheets



(56)

References Cited

U.S. PATENT DOCUMENTS

6,968,070	B1 *	11/2005	Chiang	H04R 1/08 381/355
D519,499	S *	4/2006	Lee	D14/497
D538,272	S *	3/2007	Lee	D14/228
D585,434	S *	1/2009	Ganley	D14/225
D612,367	S *	3/2010	Lee	D14/228
D657,343	S *	4/2012	Cho	D14/188
D690,280	S *	9/2013	Schul	D14/168
8,664,501	B2 *	3/2014	Miele	G10G 7/02 84/454
D713,391	S *	9/2014	Ibuki	D14/228
D727,293	S *	4/2015	Gan	D14/214
D763,818	S *	8/2016	Yang	D14/204
2005/0157892	A1 *	7/2005	Chiu	H04B 5/06 381/111
2007/0234880	A1 *	10/2007	Adams	G10H 1/0066 84/601
2011/0054922	A1 *	3/2011	Gaines	G06Q 30/02 705/1.1

* cited by examiner

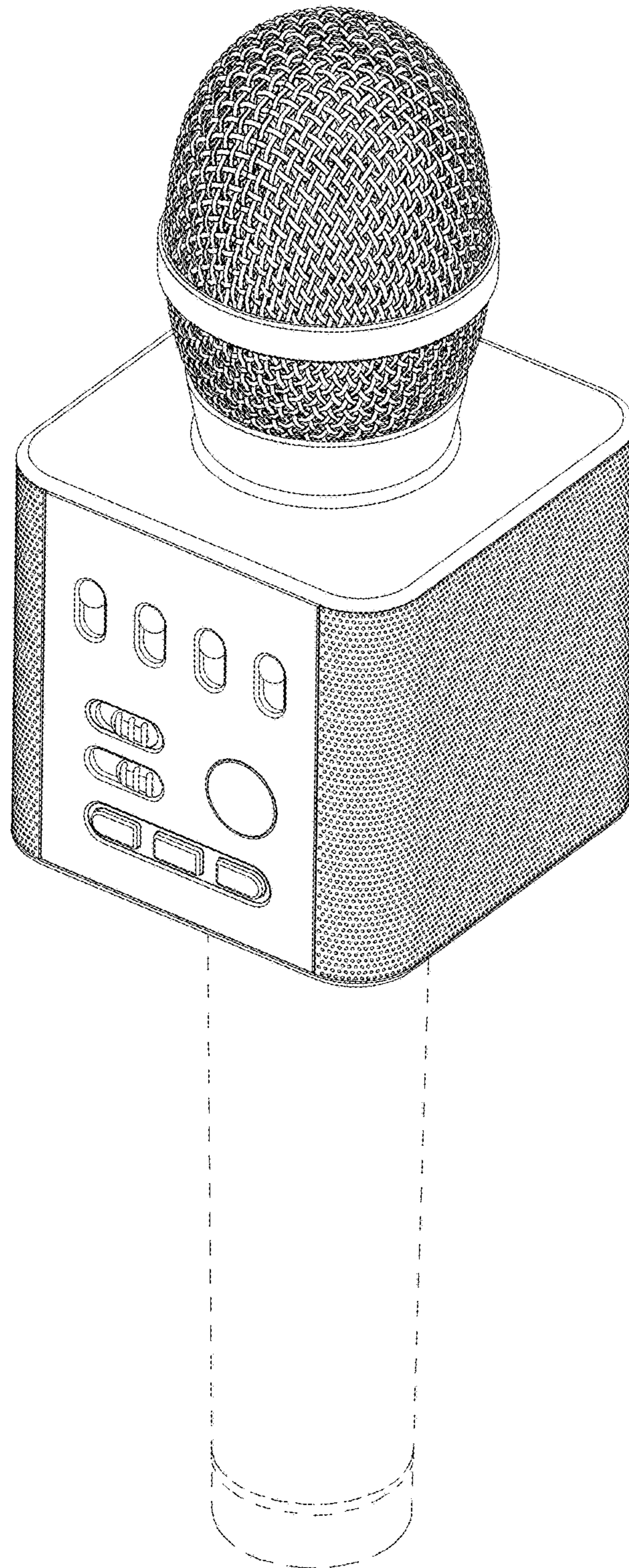


Fig. 1

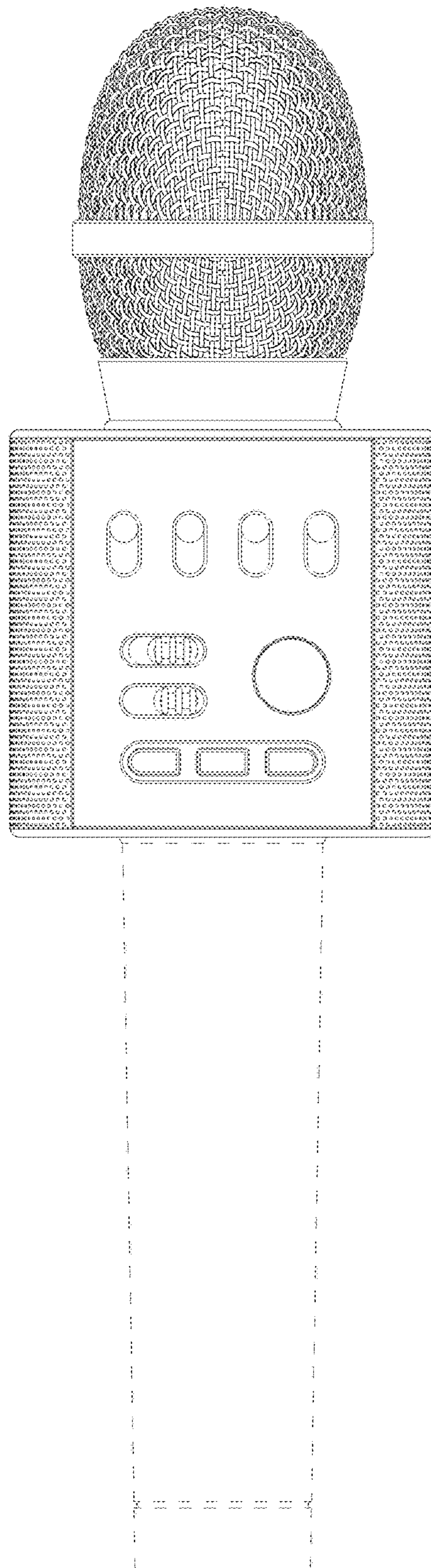


Fig. 2

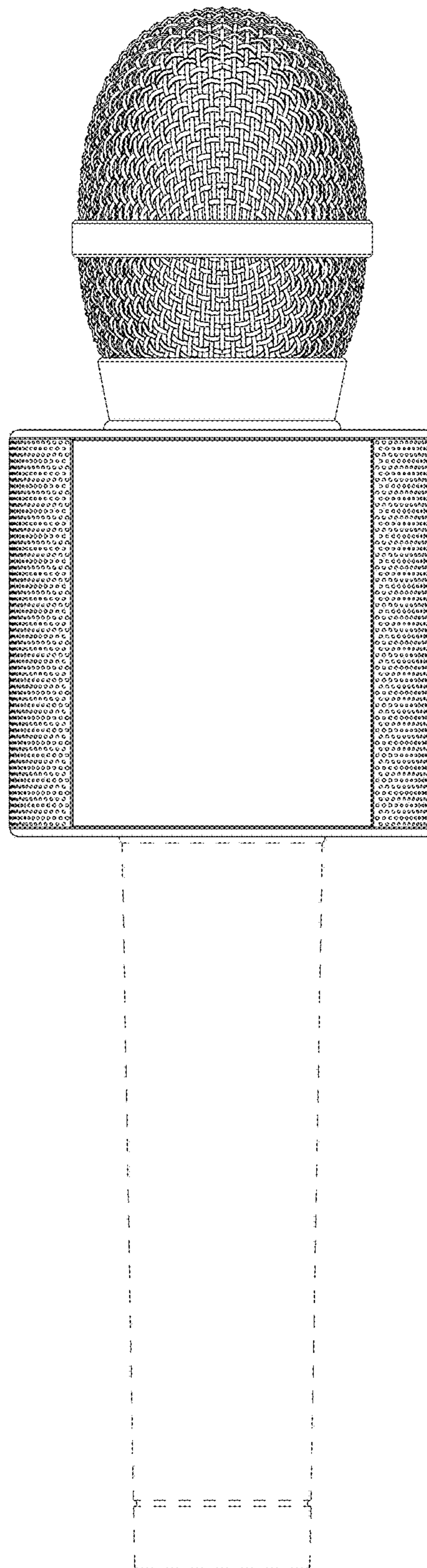


Fig. 3

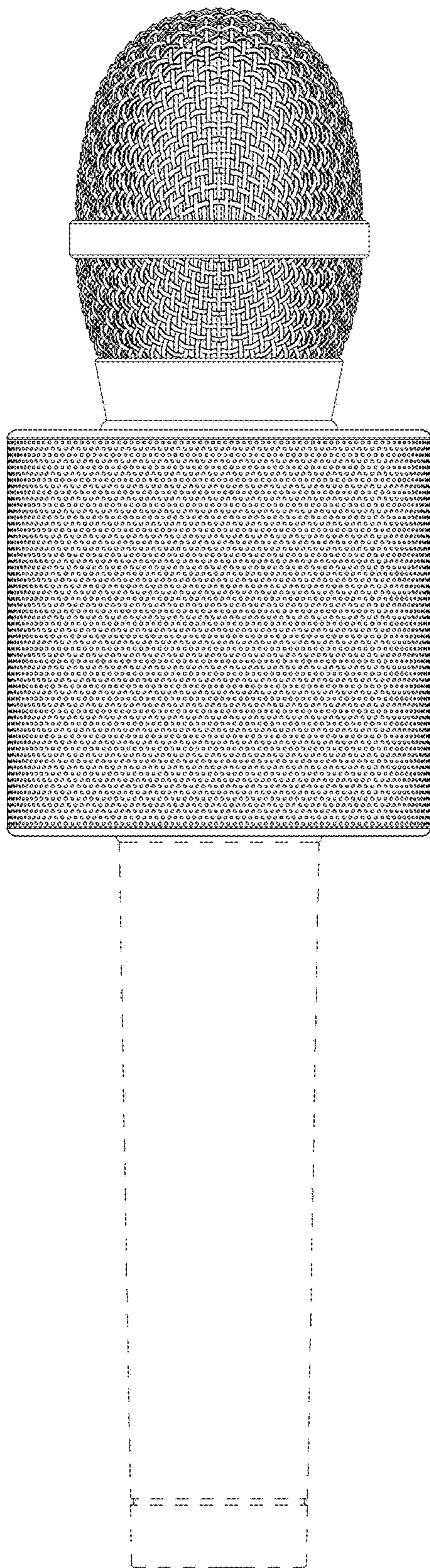


Fig. 4

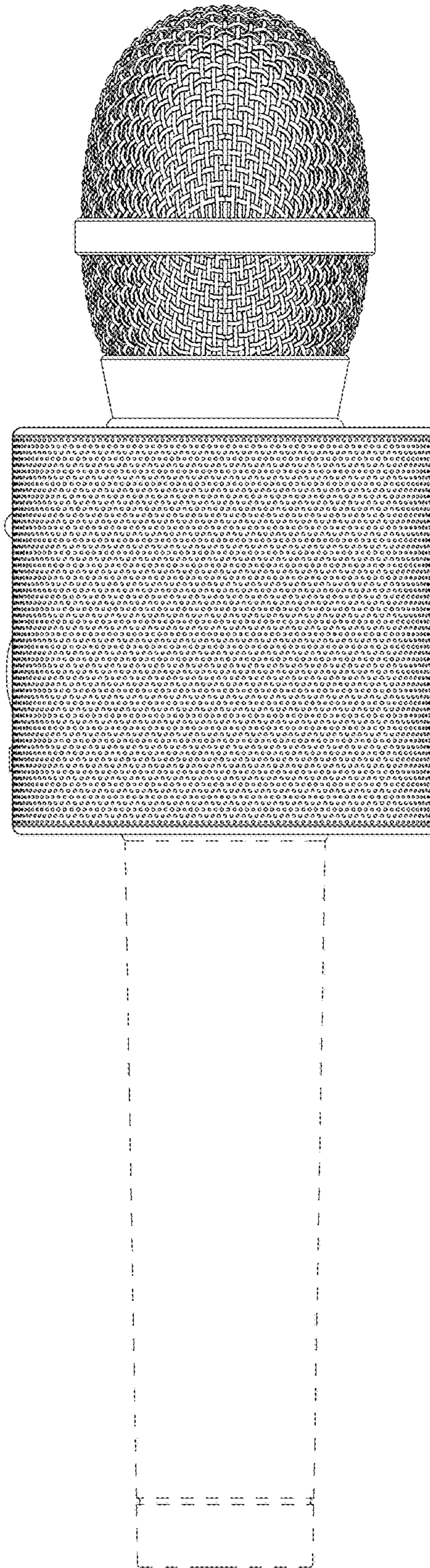


Fig. 5

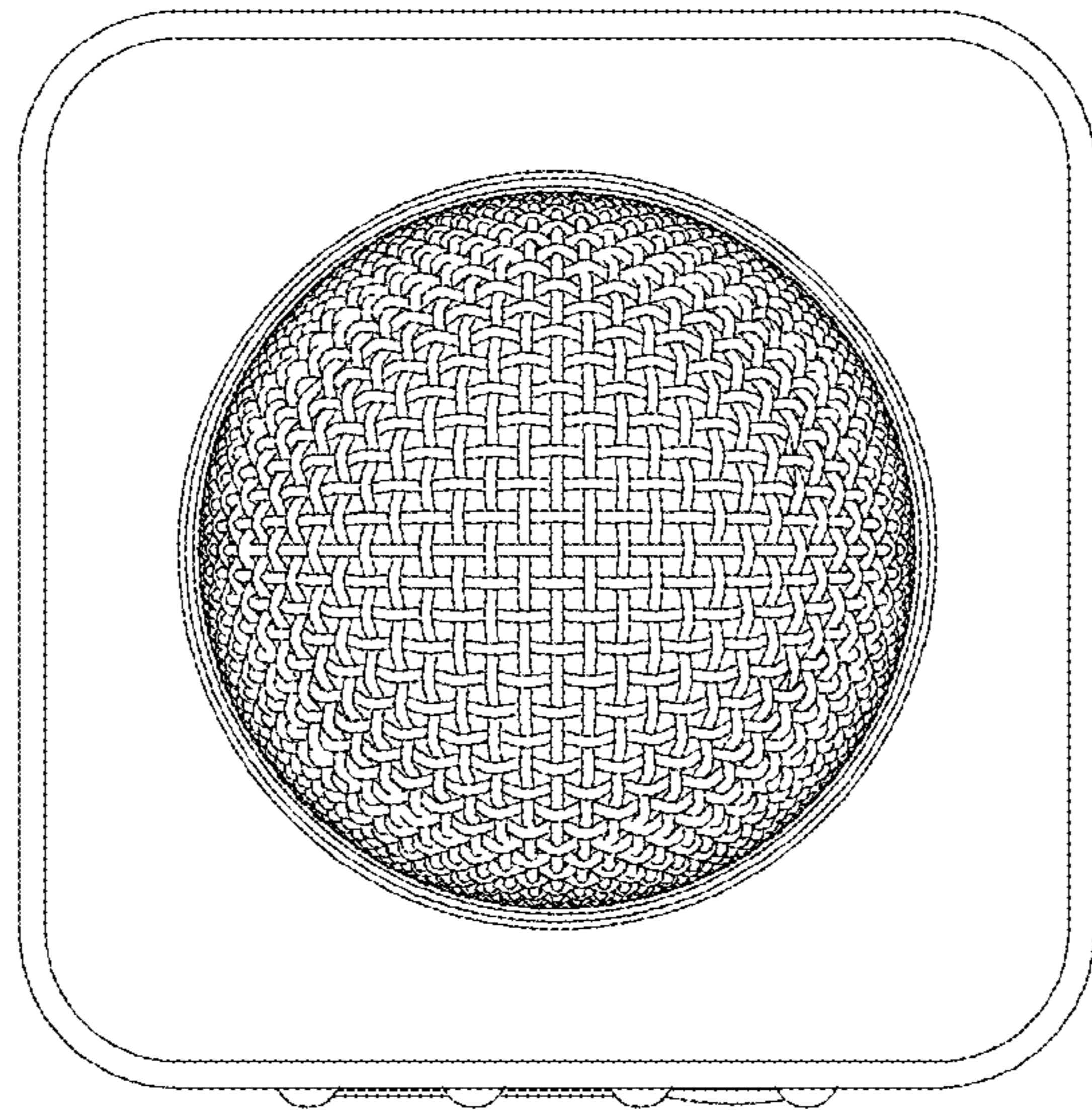


Fig. 6

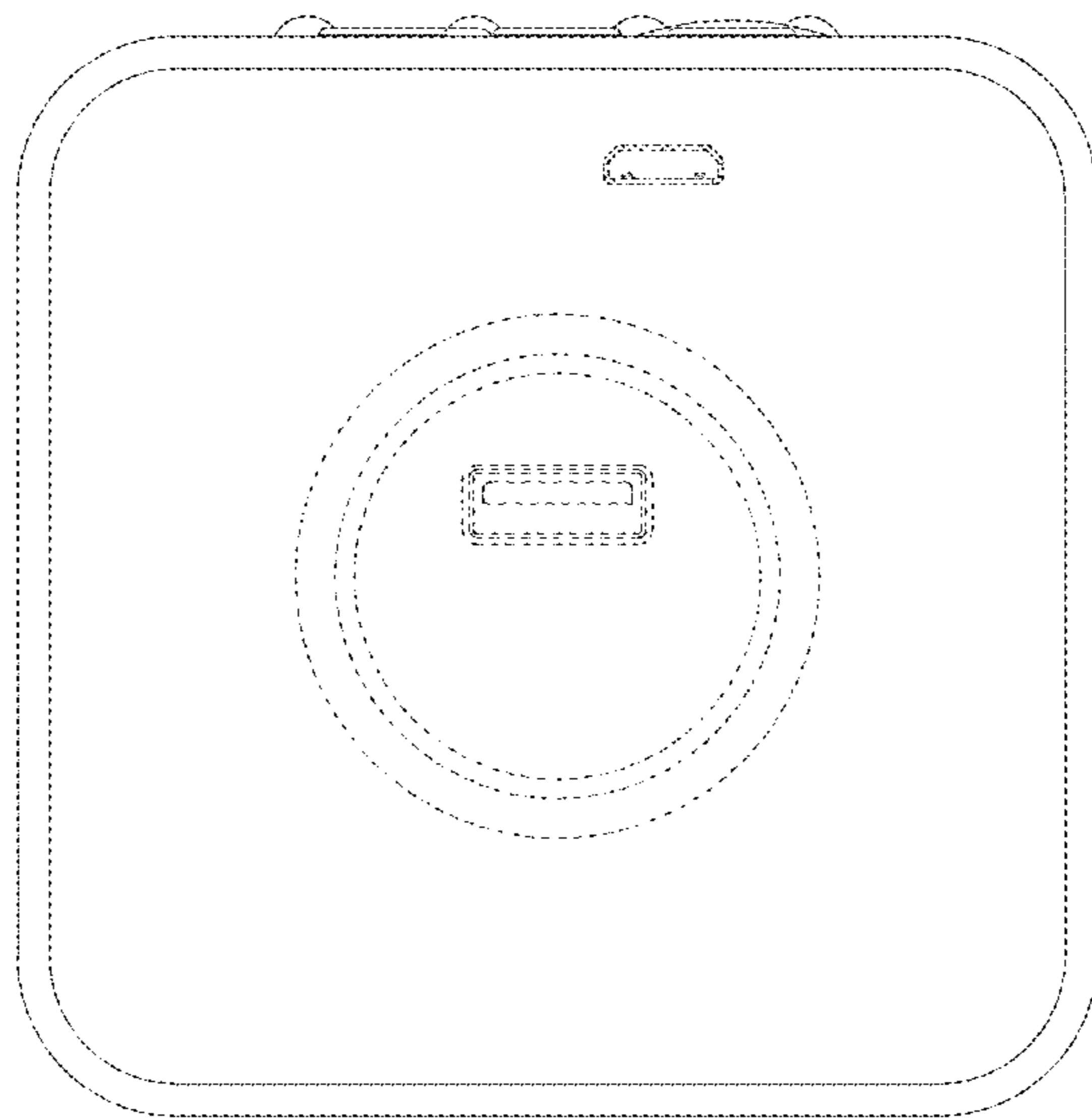


Fig. 7