



US00D813206S

(12) **United States Design Patent**
Tang et al.

(10) **Patent No.:** **US D813,206 S**
(45) **Date of Patent:** **** Mar. 20, 2018**

- (54) **EARBUD**
- (71) Applicants: **Xiuquan Tang**, Zhongshan (CN); **Chao Peng**, Zhongshan (CN)
- (72) Inventors: **Xiuquan Tang**, Zhongshan (CN); **Chao Peng**, Zhongshan (CN)
- (73) Assignee: **Echo Box Audio, LLC**, Duarte, CA (US)
- (**) Term: **15 Years**
- (21) Appl. No.: **29/588,423**
- (22) Filed: **Dec. 20, 2016**
- (51) **LOC (11) Cl.** **14-01**
- (52) **U.S. Cl.**
USPC **D14/223**
- (58) **Field of Classification Search**
USPC D14/223, 205, 206; D24/174; 181/129, 181/130, 135; 128/864, 866, 867; 381/381, 380
CPC H04R 25/00; H04R 25/02; H04R 1/10; H04R 1/1016; H04R 1/105; H04R 1/1083; H04R 1/1041; H04R 2420/07; H04R 2430/01; H04R 1/02
See application file for complete search history.

- D573,978 S * 7/2008 Ledbetter D14/205
- D576,154 S * 9/2008 Ledbetter D14/223
- D595,837 S * 7/2009 Benner D24/106
- D624,902 S * 10/2010 Kolton D14/205
- D639,280 S * 6/2011 Hayes D14/223
- D680,102 S * 4/2013 Chen D14/223
- D691,278 S * 10/2013 Aunio D14/223
- D702,668 S * 4/2014 Narita H04R 1/10
D14/223
- D751,053 S * 3/2016 Shin D14/205

* cited by examiner

Primary Examiner — Keli L Hill

Assistant Examiner — Karra S Johnson

(74) *Attorney, Agent, or Firm* — Jie Tan; JT Law Services, PC

(56) **References Cited**

U.S. PATENT DOCUMENTS

- D435,036 S * 12/2000 Koss D14/223
- D542,782 S * 5/2007 Pena Angarita D14/223

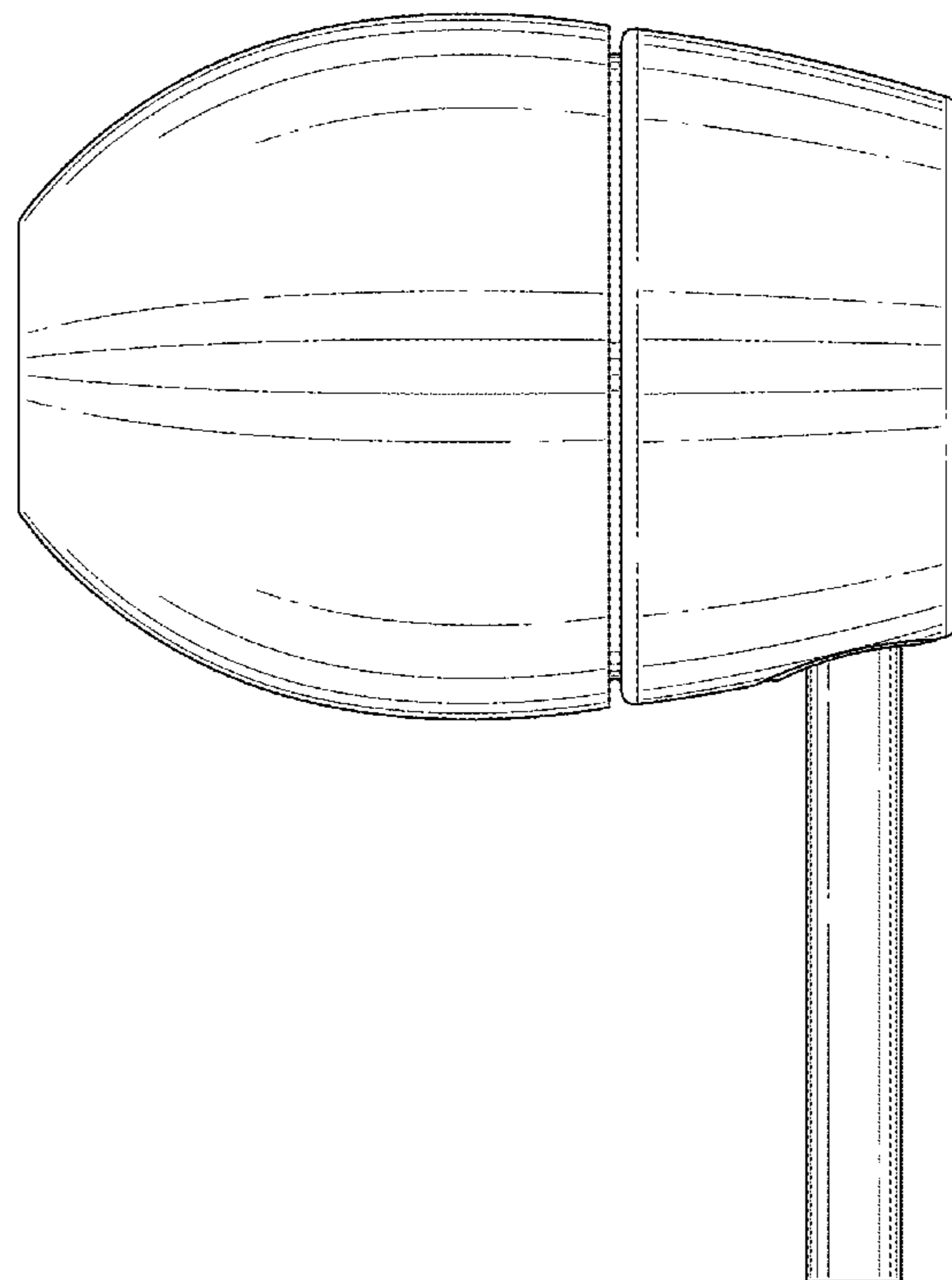
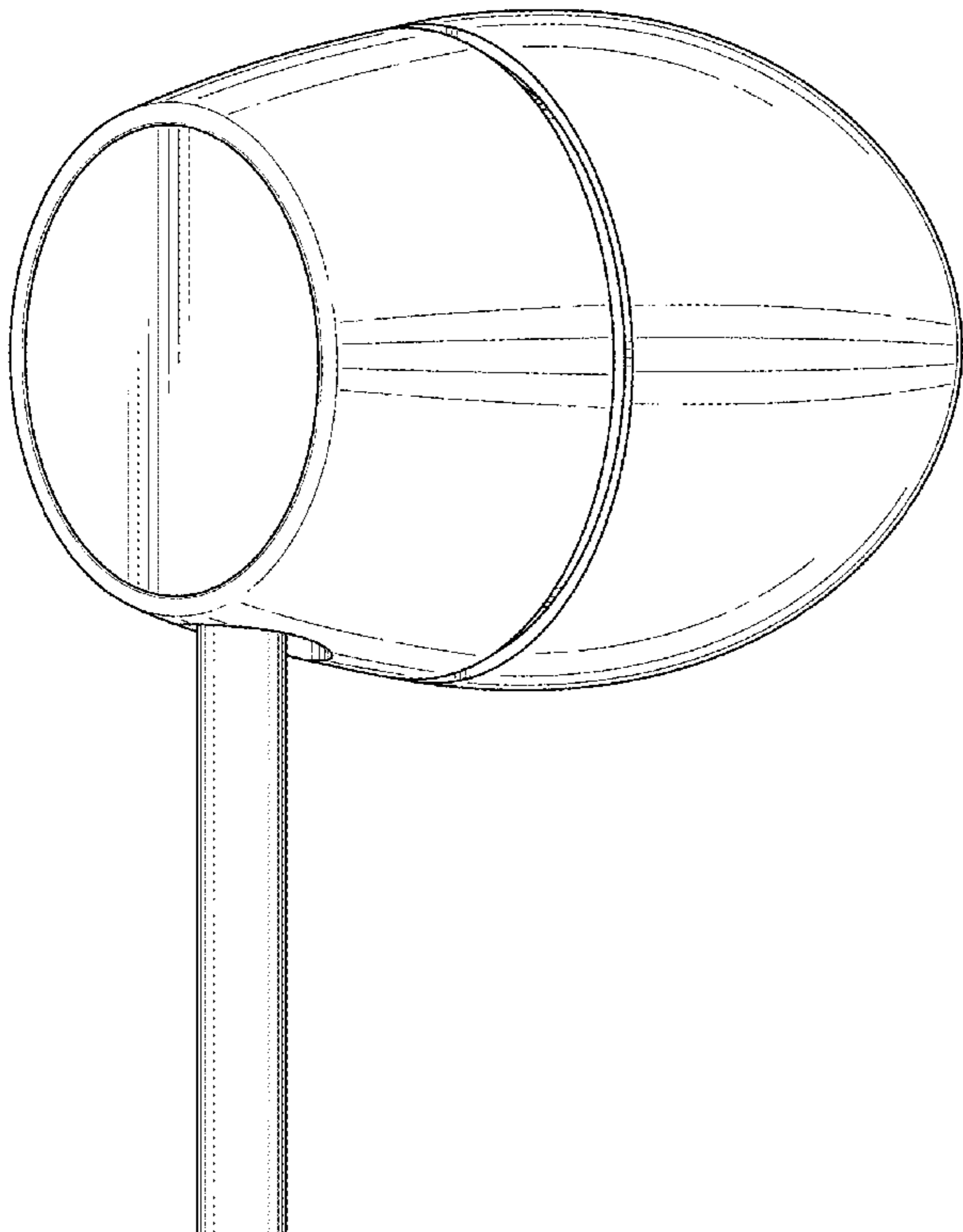
(57) **CLAIM**

The ornamental design for an earbud, as shown and described.

DESCRIPTION

FIG. 1 is a right side perspective view of an earbud; FIG. 2 is a side view thereof; FIG. 3 is a front view thereof; FIG. 4 is a top view thereof; FIG. 5 is a bottom view thereof; and, FIG. 6 is a back view thereof.

1 Claim, 6 Drawing Sheets



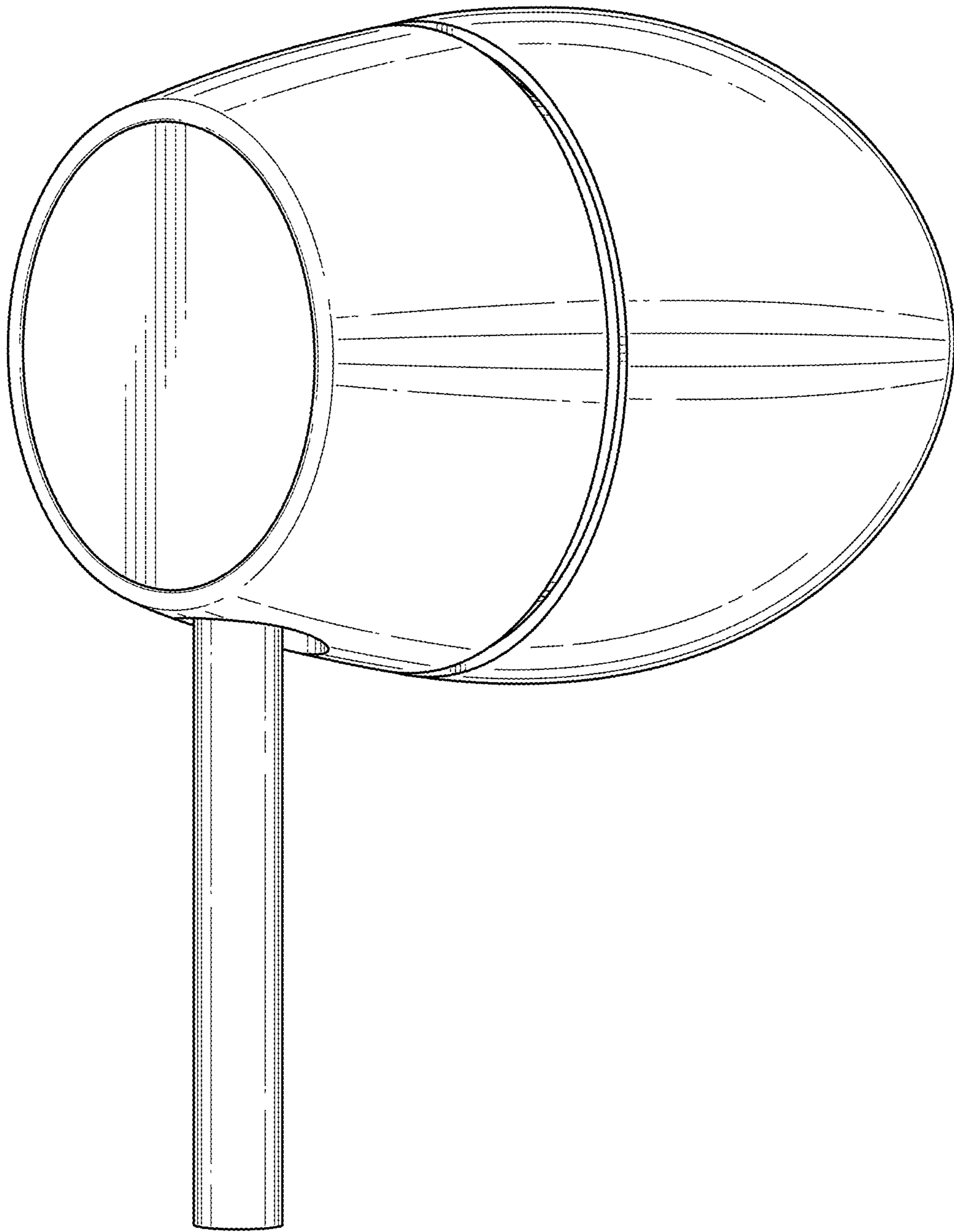


FIG. 1

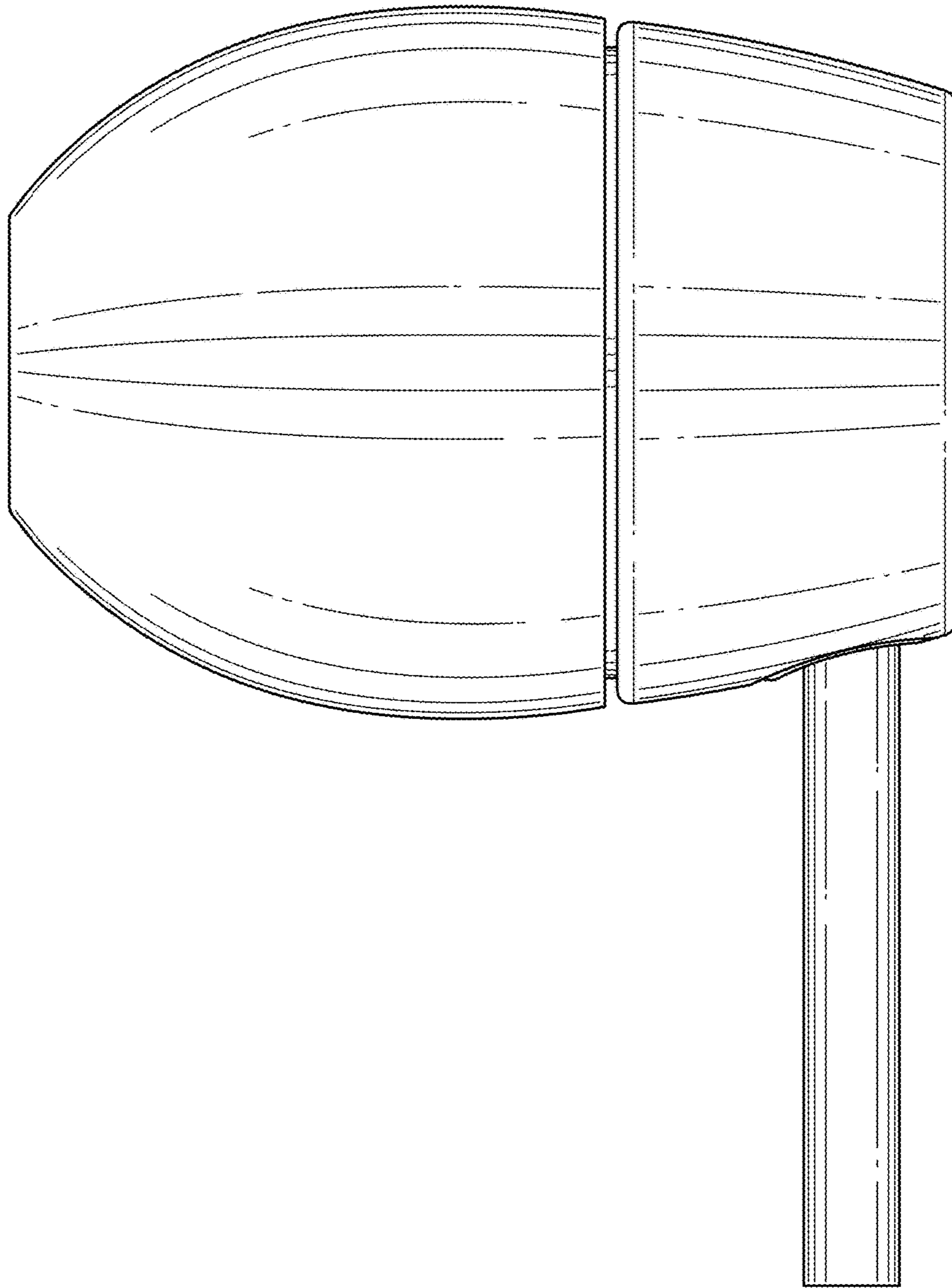


FIG. 2

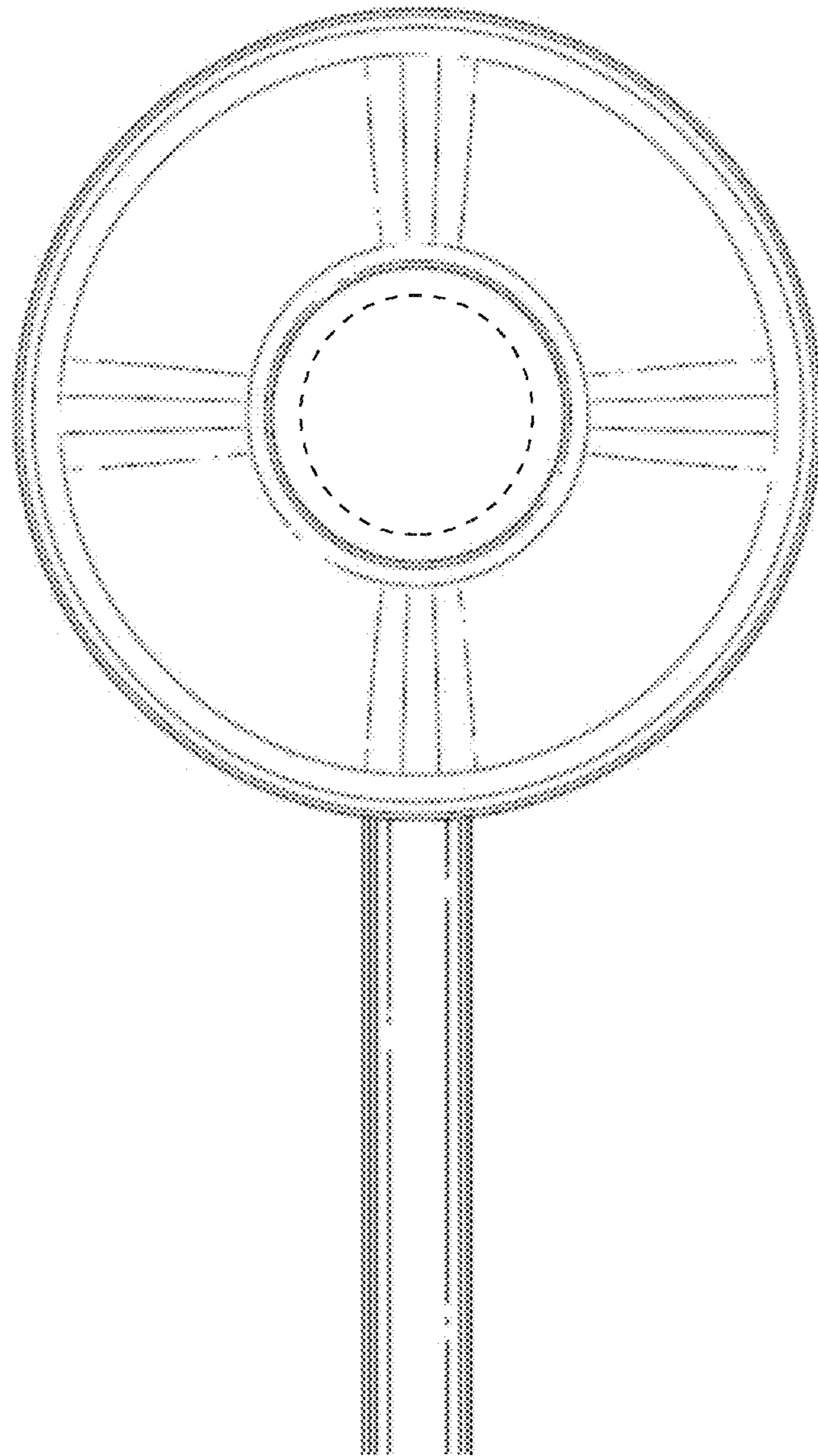


FIG. 3

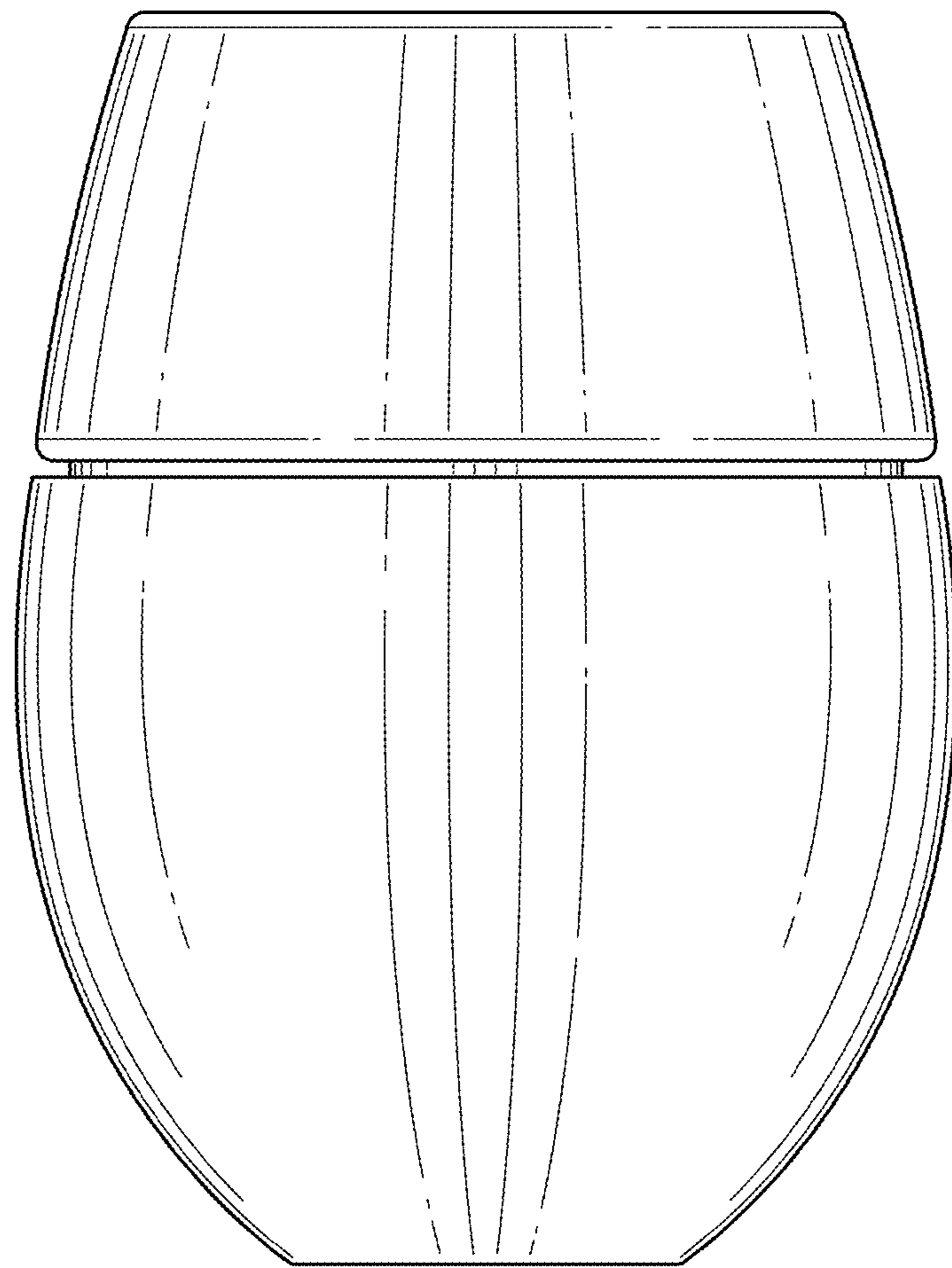


FIG. 4

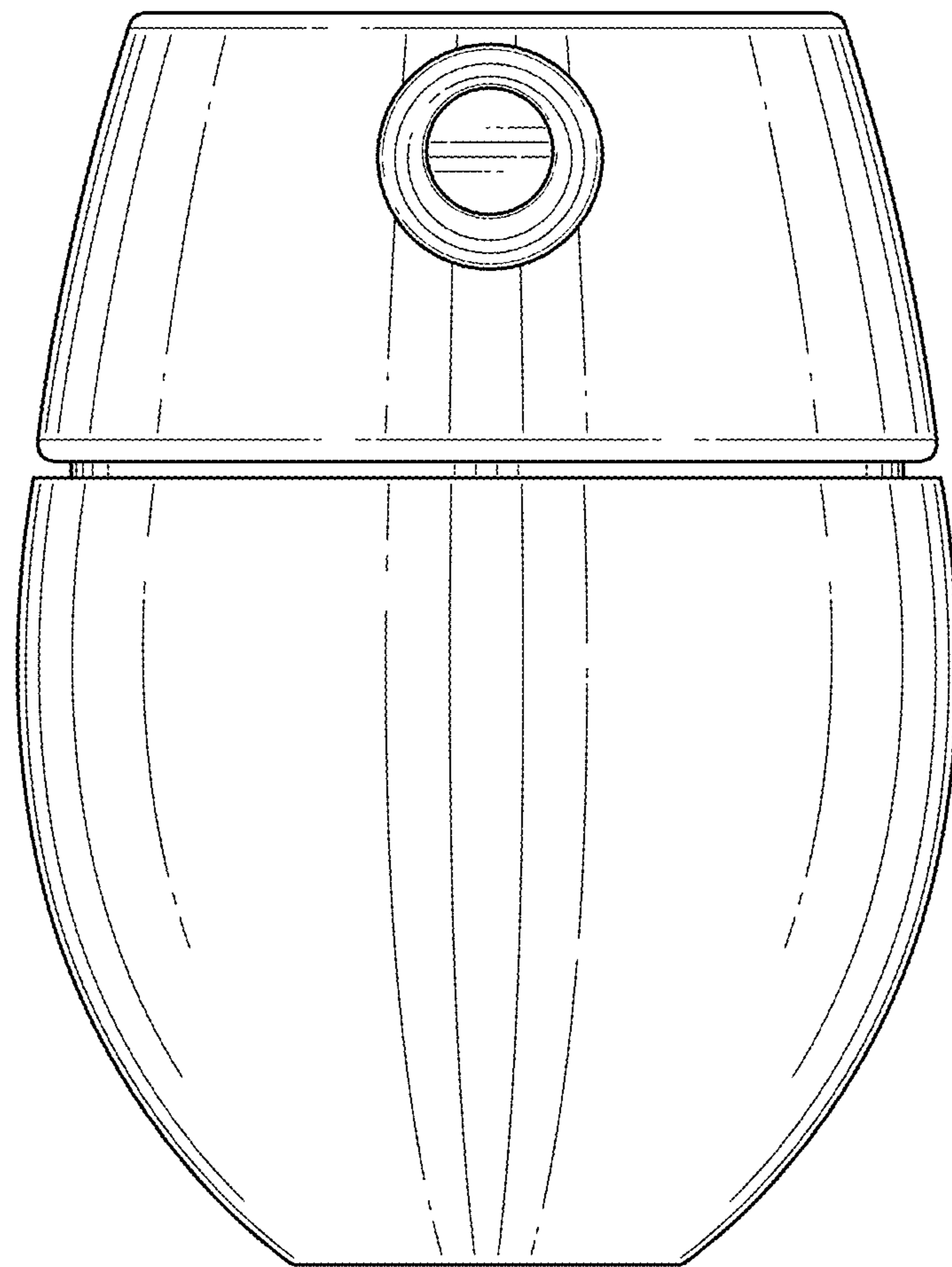


FIG. 5

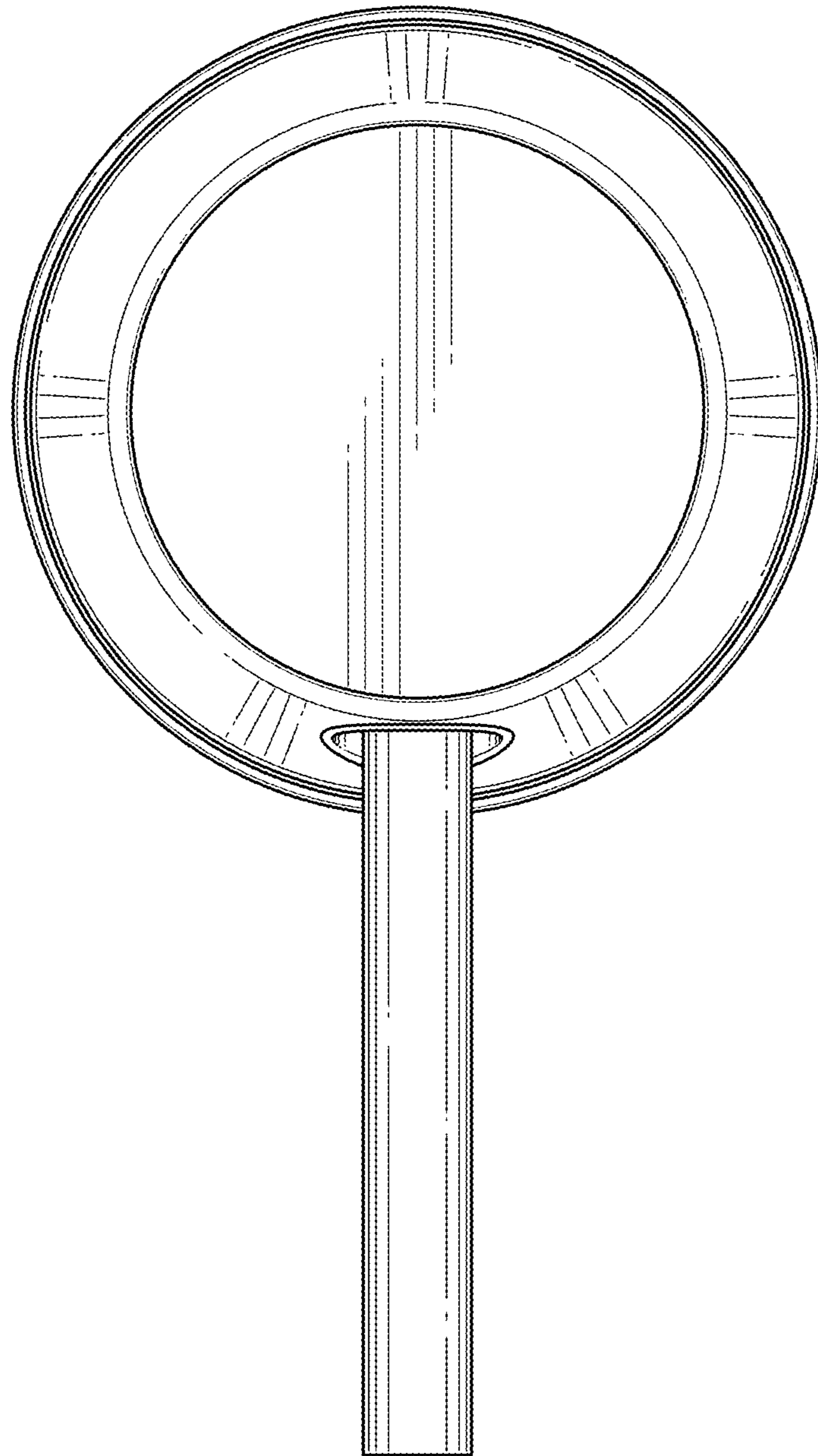


FIG. 6