



US00D813205S

(12) **United States Design Patent**
Palmborg et al.

(10) **Patent No.:** **US D813,205 S**
(45) **Date of Patent:** **** Mar. 20, 2018**

- (54) **EAR PIECE**
- (71) Applicant: **Dolby Laboratories Licensing Corporation**, San Francisco, CA (US)
- (72) Inventors: **Nils Jacob Palmborg**, Emeryville, CA (US); **Andrew Everett McIntyre**, Brooklyn, NY (US)
- (73) Assignee: **Dolby Laboratories Licensing Corporation**, San Francisco, CA (US)
- (**) Term: **15 Years**
- (21) Appl. No.: **29/588,037**
- (22) Filed: **Dec. 16, 2016**

Related U.S. Application Data

- (63) Continuation of application No. 29/533,873, filed on Jul. 22, 2015, now Pat. No. Des. 777,710.
- (51) **LOC (11) Cl.** **14-01**
- (52) **U.S. Cl.**
USPC **D14/223**
- (58) **Field of Classification Search**
USPC D14/223, 205; D24/174; 128/864, 865, 128/866; 181/129, 130, 135; 379/430, 379/431; 381/380, 381; 455/90.3, 575.1, 455/569.1
CPC H04R 1/10; H04R 25/00; H04R 25/02; H04R 1/02; H04R 5/00; H04R 1/1016; H04R 1/105
See application file for complete search history.

(56) **References Cited**

U.S. PATENT DOCUMENTS

- 1,312,493 A * 8/1919 Theis A61F 11/14
128/866
- 1,624,144 A * 4/1927 Mathieu H04R 1/1016
181/129

- 1,668,890 A * 5/1928 Curran H04R 1/1016
181/130
- 1,668,910 A * 5/1928 Jones H04R 1/1016
181/130
- 2,377,739 A * 6/1945 Wyckoff A61F 11/008
181/132
- 2,595,672 A * 5/1952 Greenwood H04R 25/65
24/113 MP
- 2,754,365 A * 7/1956 Walters H04R 1/225
181/132

(Continued)

Primary Examiner — Paula Allen Greene

(57) **CLAIM**

The ornamental design for an ear piece, as shown and described.

DESCRIPTION

A portion of the disclosure of this patent document contains material which is subject to copyright protection. This patent document may show and/or describe matter which is or may become trade dress of the owner. The copyright and trade dress owner has no objection to the facsimile reproduction by anyone of the patent disclosure as it appears in the Patent and Trademark Office patent files or records, but otherwise reserves all copyright and trade dress rights whatsoever.

FIG. 1 is a front, top and left side perspective view of an ear piece showing our new design.

FIG. 2 is a rear, bottom and right side perspective view thereof.

FIG. 3 is a front elevation view thereof.

FIG. 4 is a rear elevation view thereof.

FIG. 5 is a left side elevation view thereof.

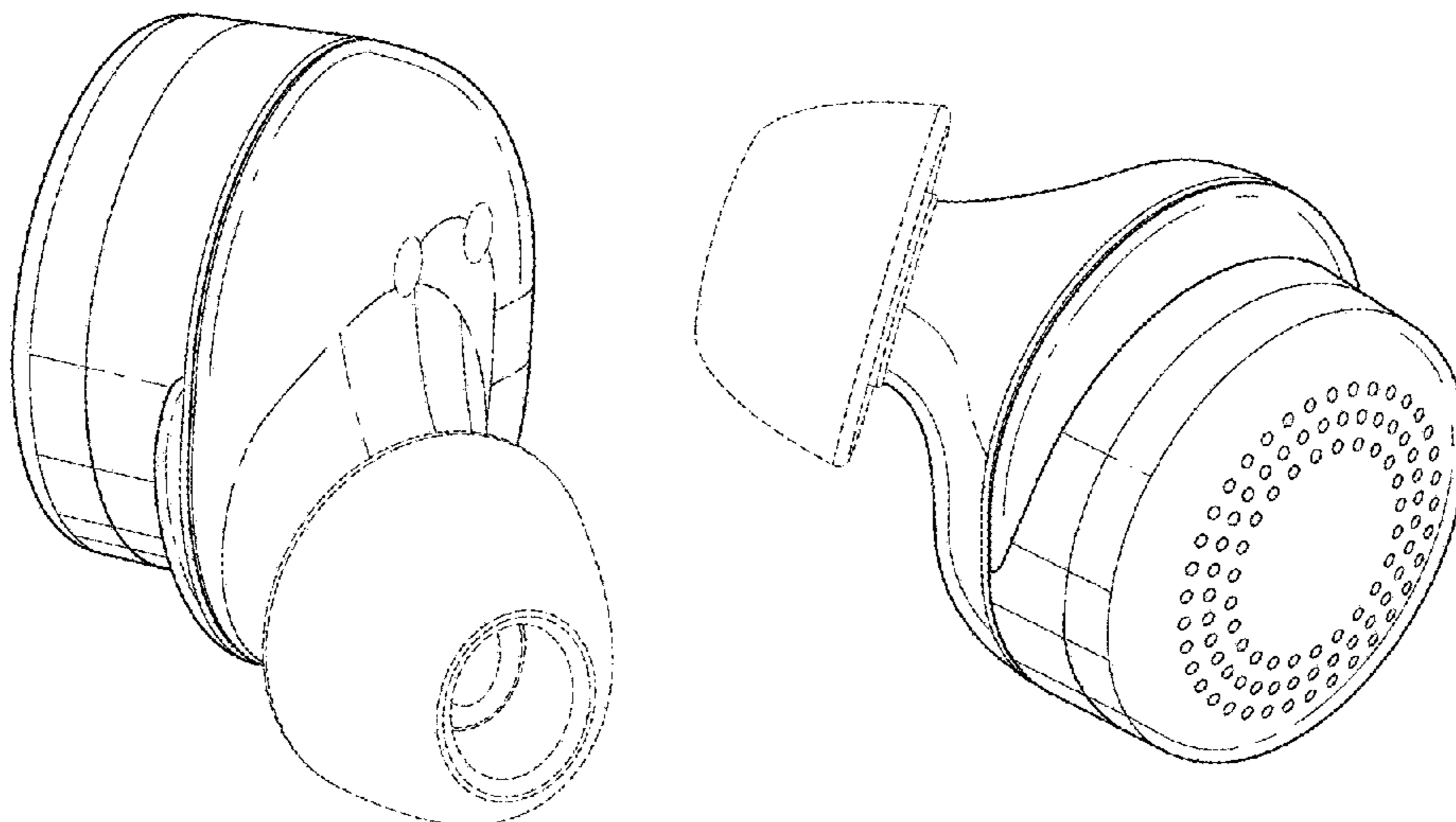
FIG. 6 is a right side elevation view thereof.

FIG. 7 is a top plan view thereof; and,

FIG. 8 is a bottom plan view thereof.

The broken lines shown in the drawings are for illustrative purposes only and form no part of the claimed design.

1 Claim, 5 Drawing Sheets



(56)

References Cited

U.S. PATENT DOCUMENTS

2,910,679	A *	10/1959	Baldwin	B60K 28/06 200/61.47	7,120,267	B2 *	10/2006	Ito	H04M 1/05 381/370
2,971,065	A *	2/1961	Busse	H04R 25/456 381/104	D588,111	S *	3/2009	Komiyama	D14/223
3,234,467	A *	2/1966	Haveson	H01Q 1/24 334/76	D603,380	S *	11/2009	Hutchieson	D14/223
3,324,253	A *	6/1967	Uemura	H04R 11/06 381/189	D631,470	S *	1/2011	Yoneyama	D14/223
3,440,365	A *	4/1969	Hazell	H04M 1/05 379/430	D637,997	S *	5/2011	Peller	D14/205
3,457,375	A *	7/1969	Haggerty	H04R 25/456 381/322	D637,999	S *	5/2011	Brunner	D14/205
D215,675	S *	10/1969	Yran	D13/114	D652,817	S *	1/2012	Lee	D14/205
3,730,181	A *	5/1973	Fling	A61F 11/08 128/868	D652,822	S *	1/2012	Lee	D14/223
3,821,647	A *	6/1974	Minasian	H03D 1/10 381/380	D654,056	S *	2/2012	Hoggarth	D14/205
D236,988	S *	9/1975	Walters	D14/223	D666,581	S *	9/2012	Perez	D14/223
4,069,400	A *	1/1978	Johanson	H04R 25/60 381/322	8,275,166	B2 *	9/2012	Wu	H04R 25/00 381/328
4,457,396	A *	7/1984	James	H04R 1/345 181/129	8,548,186	B2 *	10/2013	Alwicker	H04R 1/1058 381/371
4,539,708	A *	9/1985	Norris	H04B 1/088 455/100	D699,226	S *	2/2014	Yoon	D14/206
4,585,089	A *	4/1986	Topholm	H04R 25/65 181/130	8,776,801	B2 *	7/2014	McIntosh	A61F 11/08 128/864
D287,764	S *	1/1987	Topholm	D24/174	D711,356	S *	8/2014	Yang	D14/223
D287,765	S *	1/1987	Topholm	D24/174	D725,082	S *	3/2015	Palmborg	D14/223
D295,173	S *	4/1988	Oren	D14/168	8,983,108	B2 *	3/2015	Ho	H04R 1/1016 181/135
5,054,079	A *	10/1991	Frielingsdorf	H04R 1/46 379/430	D733,102	S *	6/2015	Palmborg	D14/223
D321,881	S *	11/1991	Hopewell	D14/192	D735,169	S *	7/2015	Shieh	D14/223
D348,066	S *	6/1994	Lucey	D14/205	9,087,506	B1 *	7/2015	Kraft	G10L 21/0232
D417,465	S *	12/1999	Kreitz	D14/192	9,131,308	B2 *	9/2015	Kraft	G10L 21/0232
6,122,388	A *	9/2000	Feldman	H04R 25/604 381/322	D742,861	S *	11/2015	Miyake	D14/223
D477,593	S *	7/2003	Komiyama	D14/223	D764,445	S *	8/2016	Czaniecki	D14/223
D477,822	S *	7/2003	Komiyama	D14/223	D773,032	S *	11/2016	Palmborg	D24/106
D481,709	S *	11/2003	Solderits	D14/223	D777,710	S *	1/2017	Palmborg	D14/223
D505,411	S *	5/2005	Sakai	D14/192	9,565,491	B2 *	2/2017	Baker	H04R 1/1083
D519,108	S *	4/2006	Yang	D14/223	D781,269	S *	3/2017	Choe	D14/223
					D782,997	S *	4/2017	Shin	D14/205
					D782,998	S *	4/2017	Shin	D14/205
					D795,225	S *	8/2017	Sumii	D14/223
					D798,843	S *	10/2017	Valenzuela	D14/223
					2007/0263896	A1 *	11/2007	Chen	H04R 1/105 381/381
					2011/0155147	A1 *	6/2011	McIntosh	A61F 11/08 128/864
					2012/0087532	A1 *	4/2012	Yang	H04R 1/10 381/380
					2012/0114160	A1 *	5/2012	Lin	H04R 1/1091 381/380

* cited by examiner

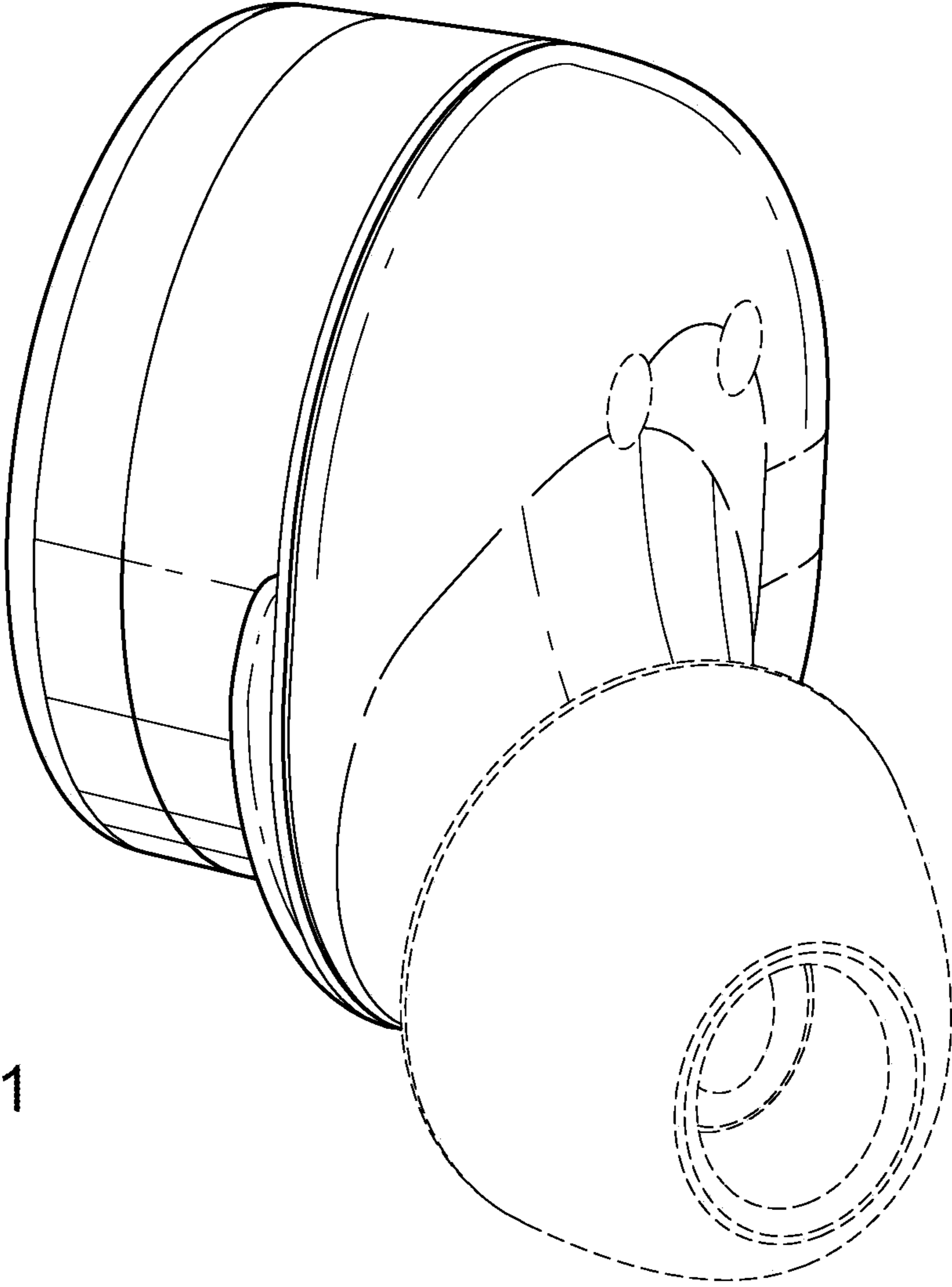


FIG.1

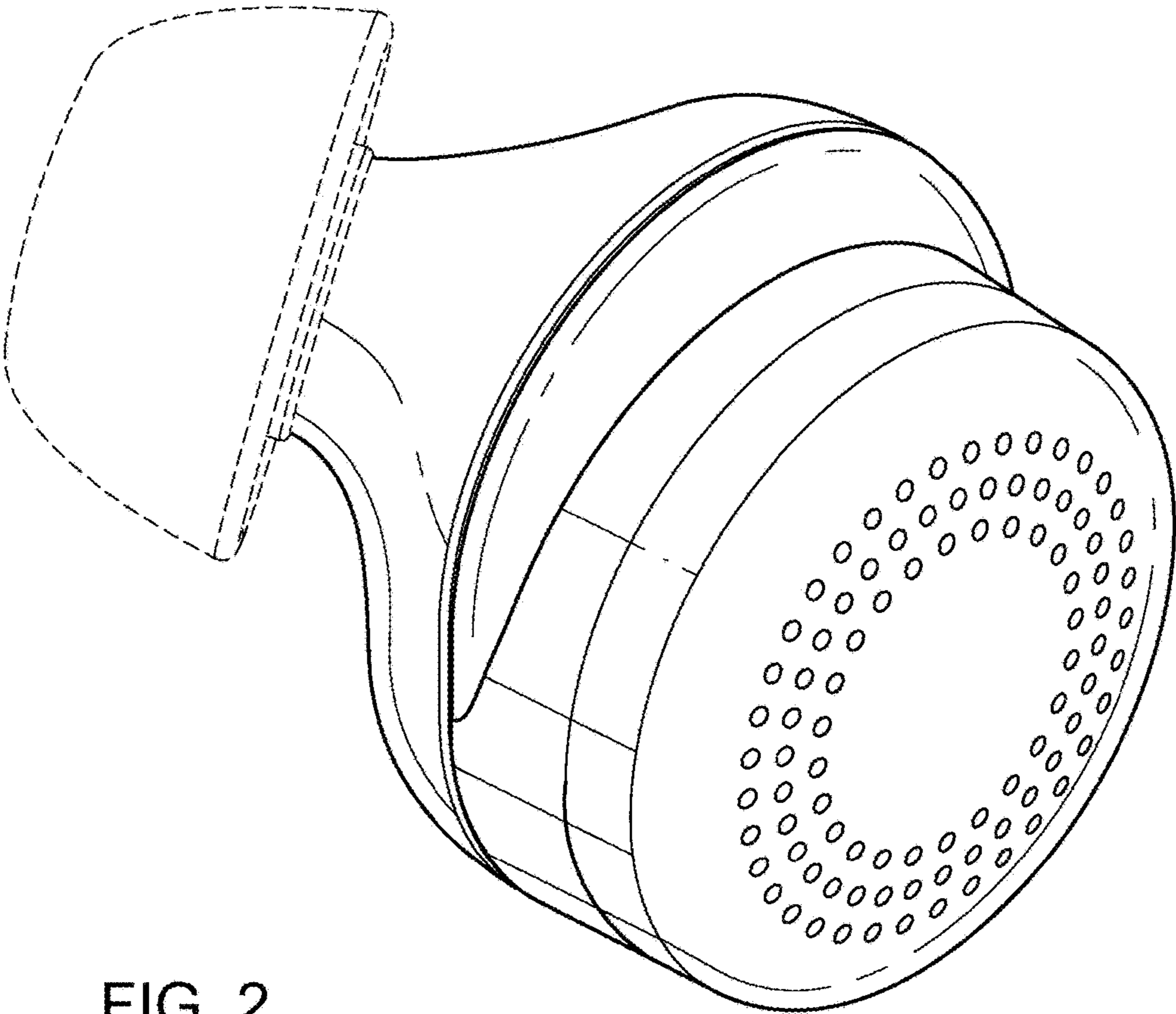


FIG. 2

FIG. 3

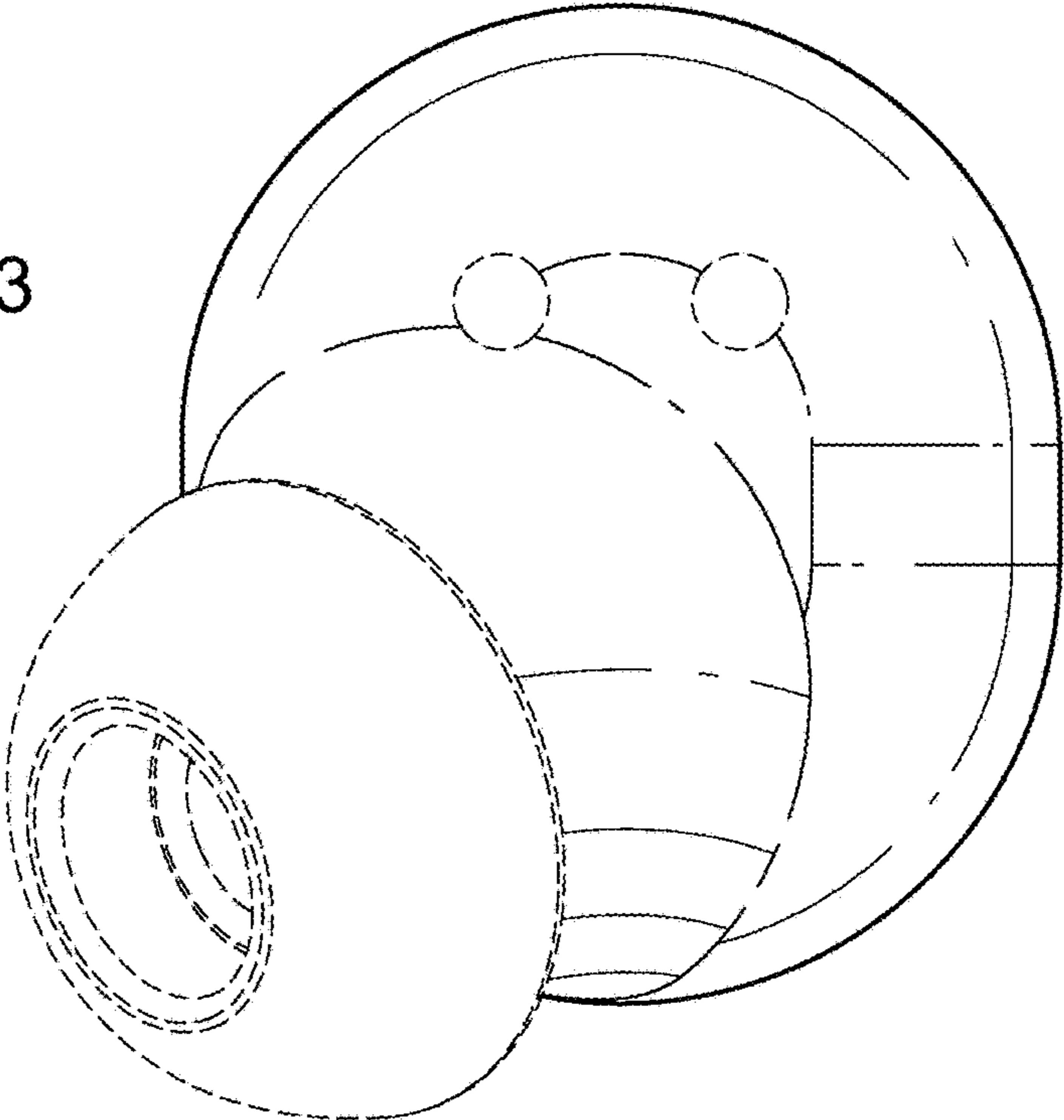
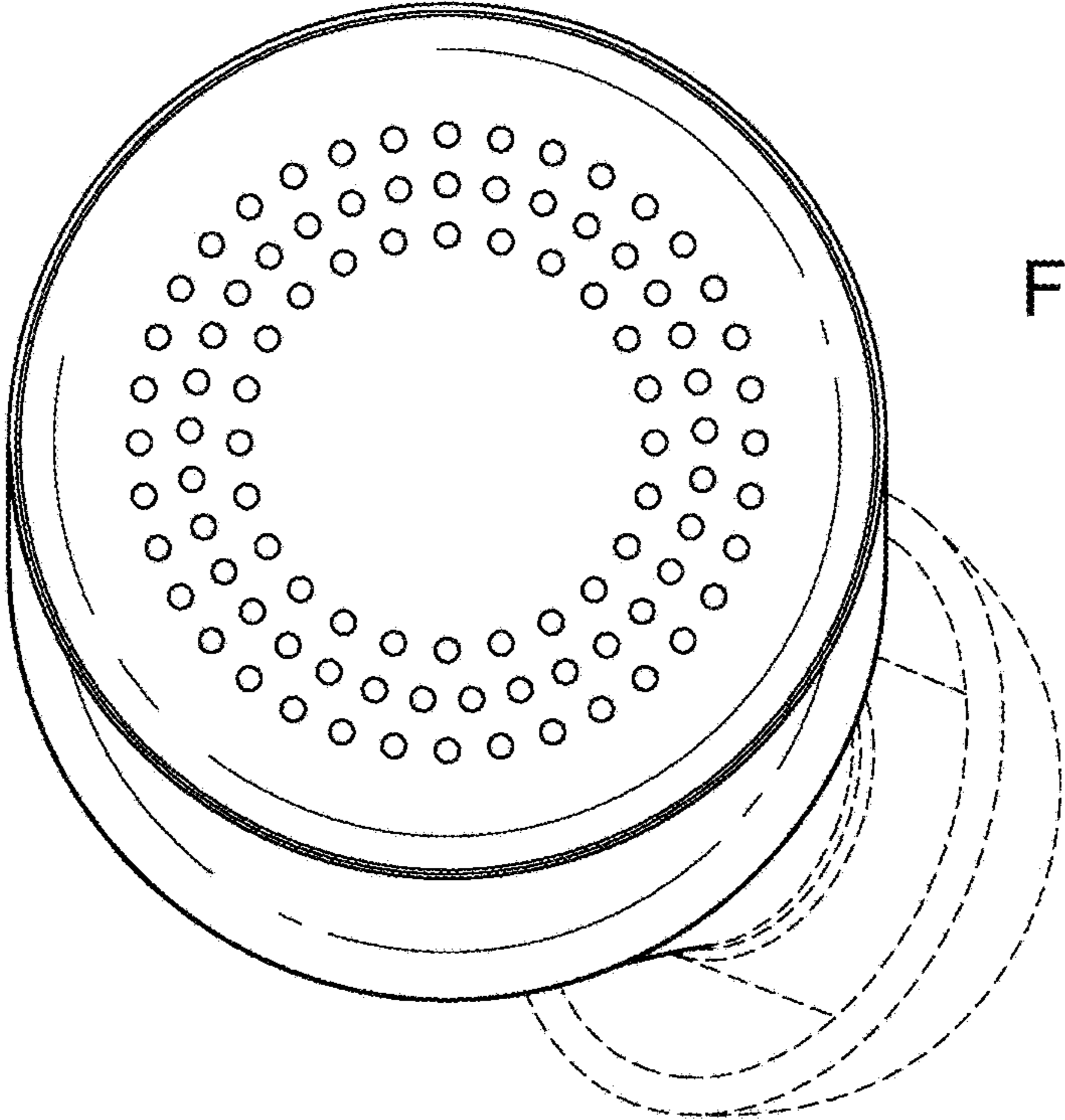


FIG. 4



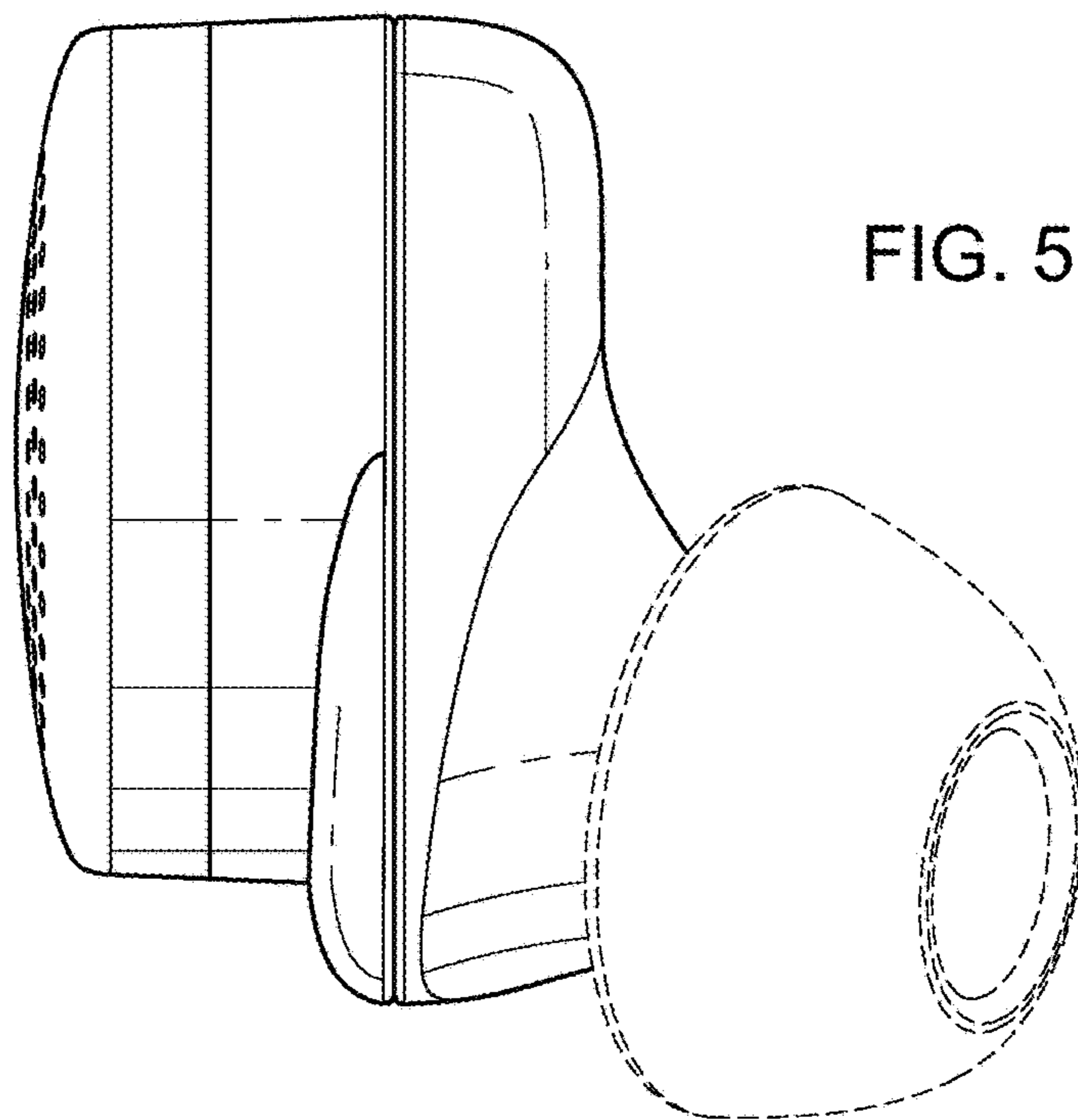


FIG. 5

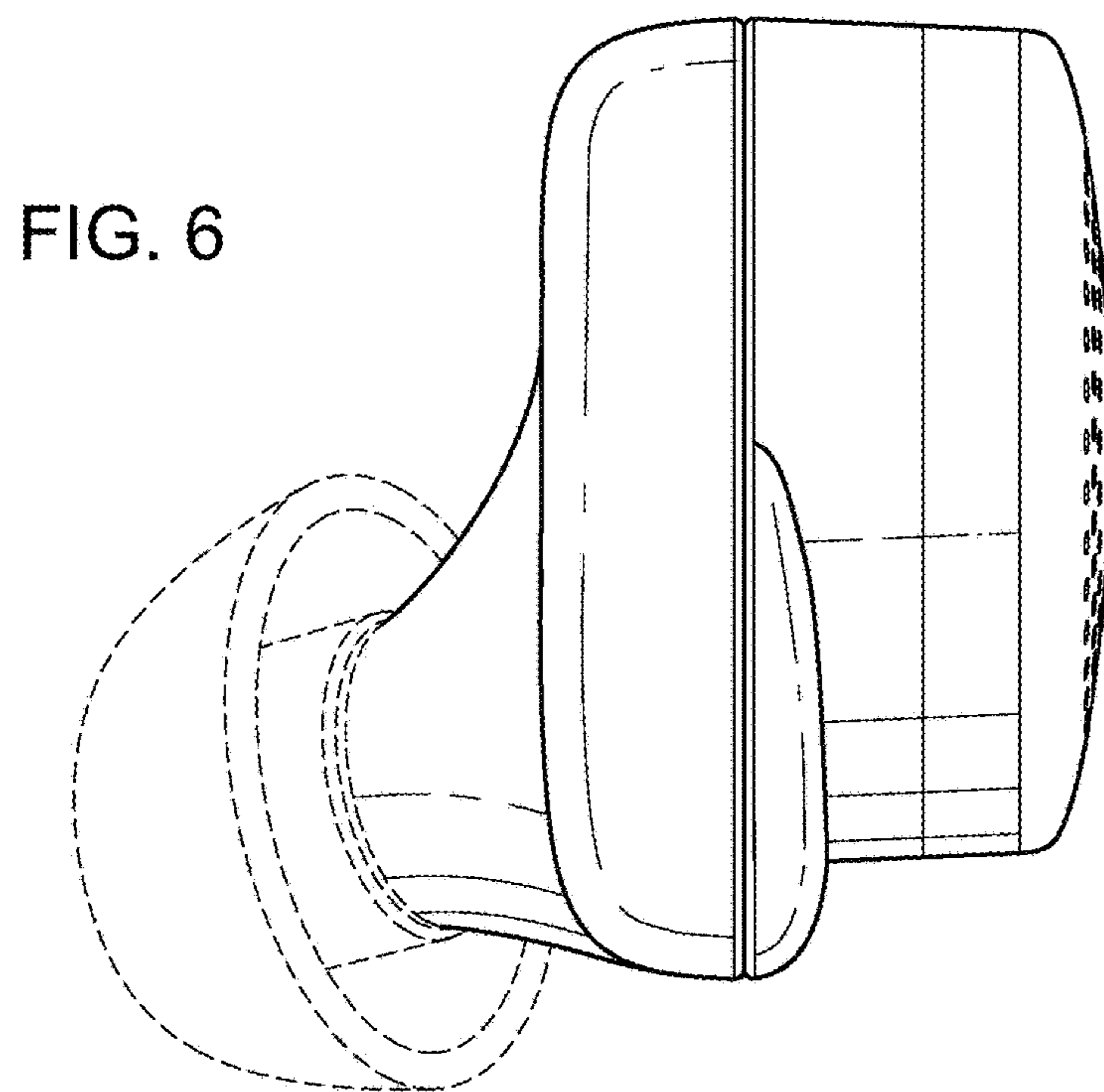


FIG. 6

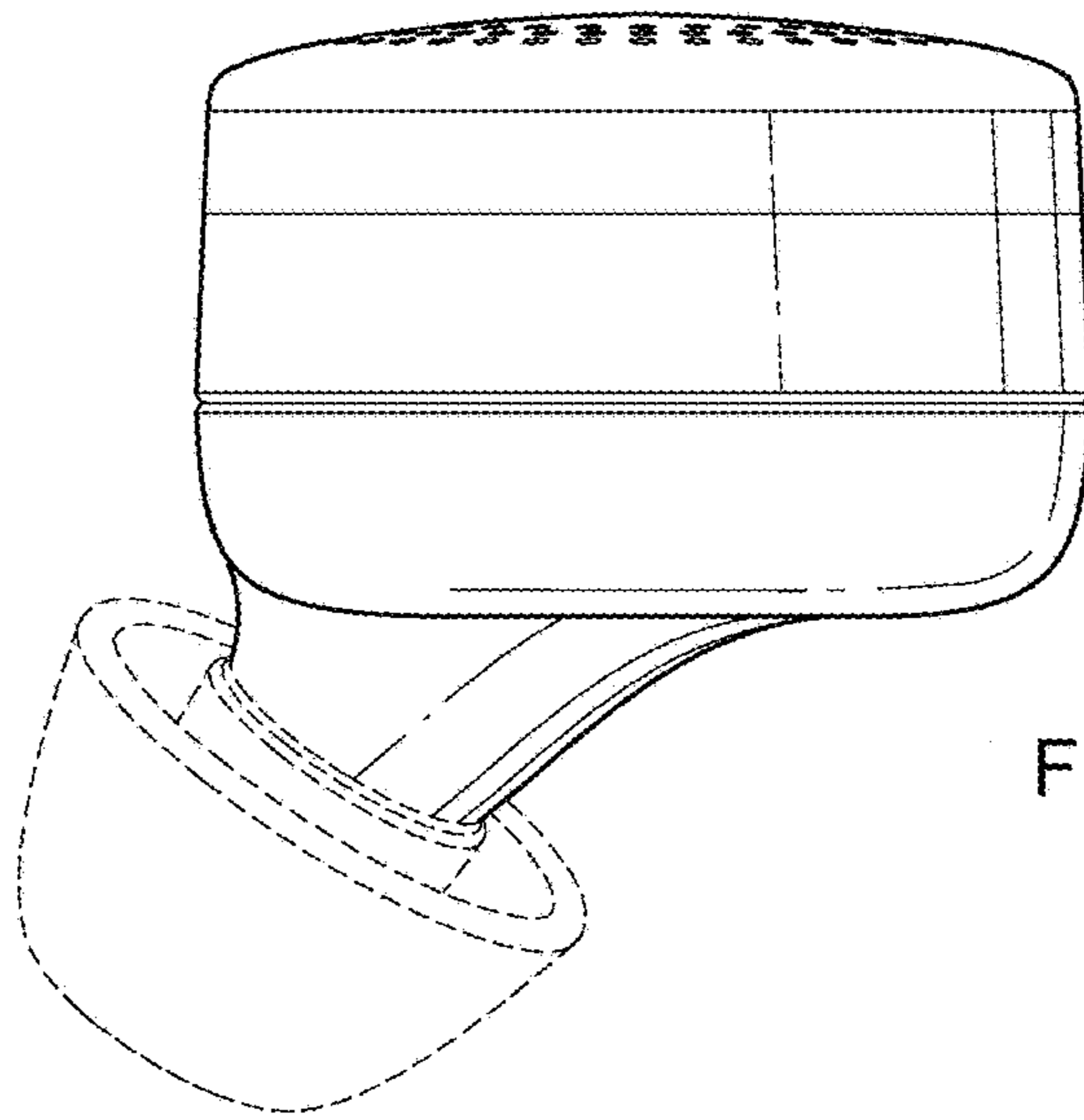


FIG. 7

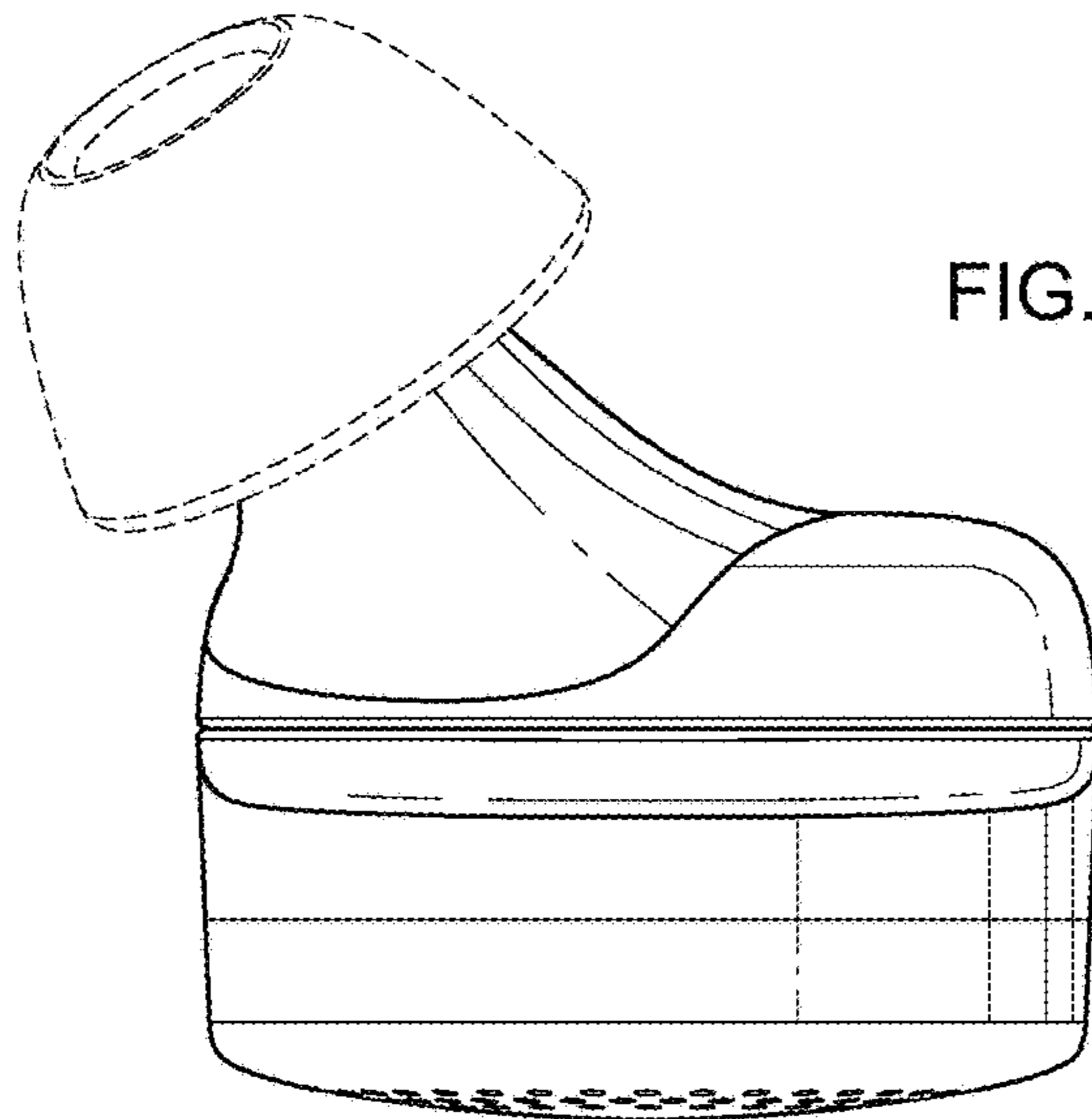


FIG. 8