



US00D813203S

(12) **United States Design Patent**
Hardi

(10) **Patent No.:** **US D813,203 S**

(45) **Date of Patent:** **** Mar. 20, 2018**

(54) **HAND HELD CONTROLLER**

(71) Applicant: **Jason Hardi**, Miami Beach, FL (US)

(72) Inventor: **Jason Hardi**, Miami Beach, FL (US)

(73) Assignee: **Muzik LLC**, Raleigh, NC (US)

(**) Term: **15 Years**

(21) Appl. No.: **29/582,275**

(22) Filed: **Oct. 26, 2016**

(51) **LOC (11) Cl.** **14-03**

(52) **U.S. Cl.**
USPC **D14/218**

(58) **Field of Classification Search**
USPC D13/168; D14/205, 218, 412, 413;
D21/333
CPC H03J 1/0025; H01H 9/02; H01H 9/0214;
H01H 9/0235; H01H 9/0242; H04B
1/202; H04R 1/1041; G08C 17/00; G08C
17/02; G08C 19/00; G08C 19/12; G08C
19/28; G08C 23/02; G08C 23/04; G05G
9/047; G06F 3/165

See application file for complete search history.

(56) **References Cited**

U.S. PATENT DOCUMENTS

D328,463 S * 8/1992 King D14/218

D331,058 S * 11/1992 Morales D14/218

D340,042 S * 10/1993 Copper D14/388

D344,523 S * 2/1994 Kanno D14/192

D368,901 S * 4/1996 Currid D14/417

5,512,892 A * 4/1996 Corballis G05G 9/047
273/148 R

6,850,221 B1 * 2/2005 Tickle G06F 3/0338
345/157

D556,201 S * 11/2007 Ashida D14/412

D570,792 S * 6/2008 Leung D13/168

D611,477 S * 3/2010 Brunner D14/412

D638,841 S * 5/2011 Musick, Jr. D14/412

D673,138 S * 12/2012 Kim D14/218

9,041,545 B2 * 5/2015 Zelepugas H04R 1/1041
340/573.1

D734,743 S * 7/2015 Geck D14/218

9,455,677 B2 * 9/2016 Wilcox H04M 1/05

D776,091 S * 1/2017 Spio D14/218

D790,483 S * 6/2017 Yoon D13/168

D796,454 S * 9/2017 Zheng D13/168

D797,743 S * 9/2017 Awad D14/412

2007/0049374 A1 * 3/2007 Ikeda A63F 13/06
463/30

2009/0054145 A1 * 2/2009 Yang A63F 13/06
463/37

2011/0050405 A1 * 3/2011 Hollis, Jr. G06F 3/016
340/407.2

2013/0201103 A1 * 8/2013 Park G06F 3/038
345/157

2016/0103511 A1 * 4/2016 Hardi G06F 3/016
345/173

(Continued)

Primary Examiner — Selina Sikder

(74) *Attorney, Agent, or Firm* — Ward and Smith, P.A.

(57) **CLAIM**

The ornamental design for a hand held controller, substantially as shown and described.

DESCRIPTION

FIG. 1 is a isometric view of an embodiment of a hand held controller showing our design.

FIG. 2 is a front view thereof.

FIG. 3 is a back view thereof.

FIG. 4 is a left side view thereof.

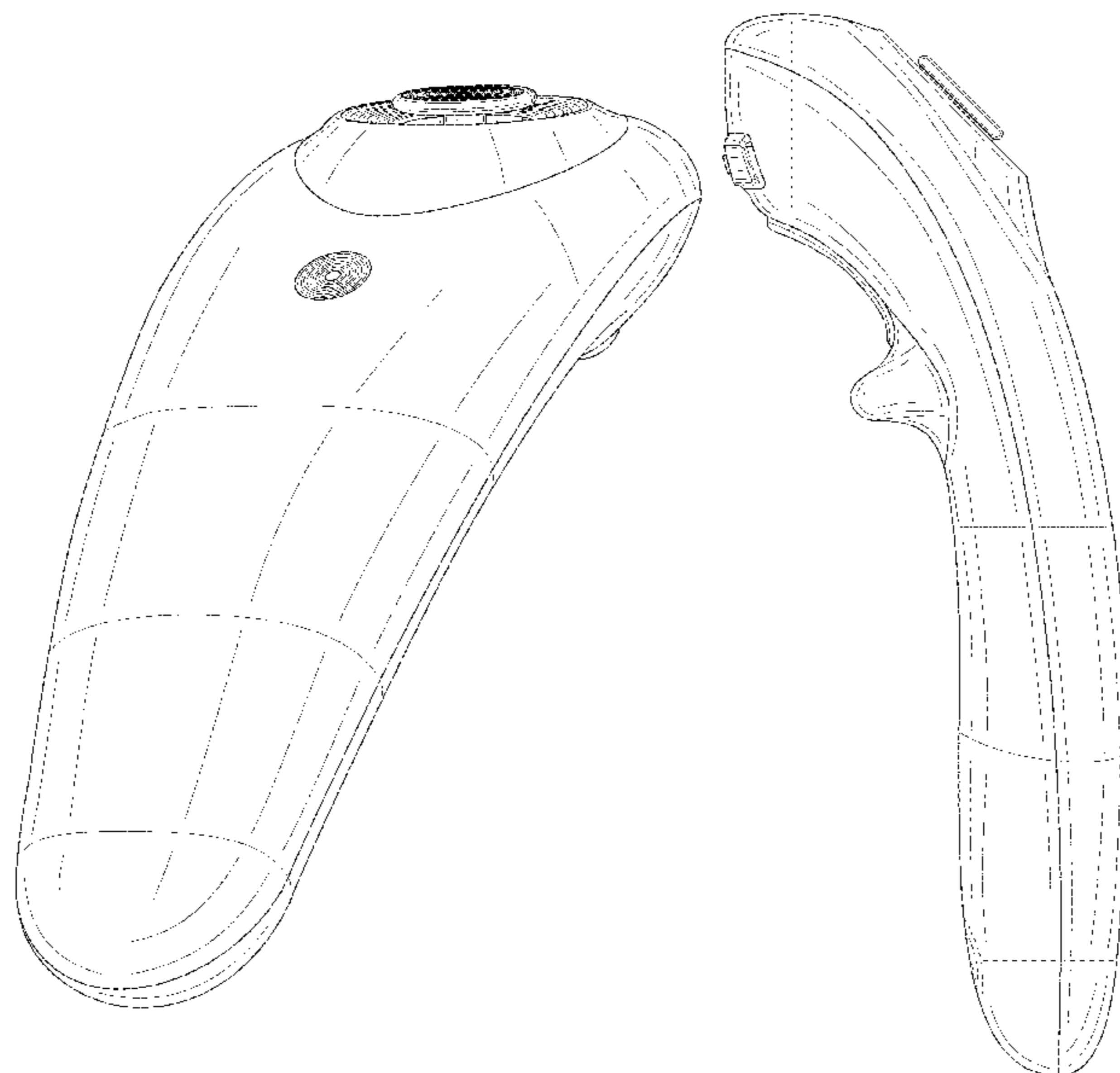
FIG. 5 is a right side view thereof.

FIG. 6 is a top view thereof; and,

FIG. 7 is a bottom view thereof.

The broken lines shown in the drawing views are for illustrative purposes only forms no part of the claimed design.

1 Claim, 6 Drawing Sheets



(56)

References Cited

U.S. PATENT DOCUMENTS

2016/0198250 A1* 7/2016 Pan H04R 1/1041
381/74
2017/0123516 A1* 5/2017 Li G06F 3/0346

* cited by examiner

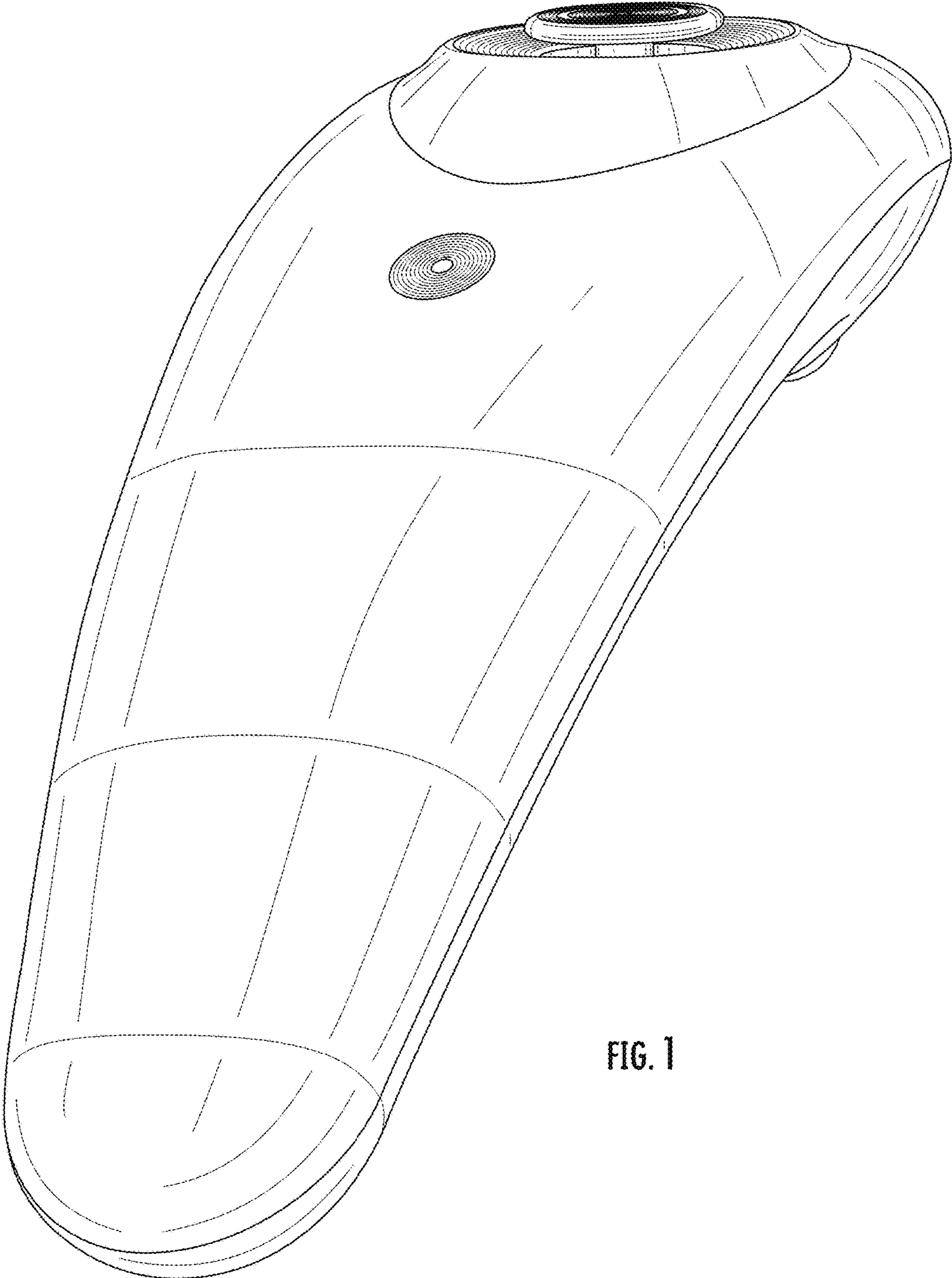


FIG. 1

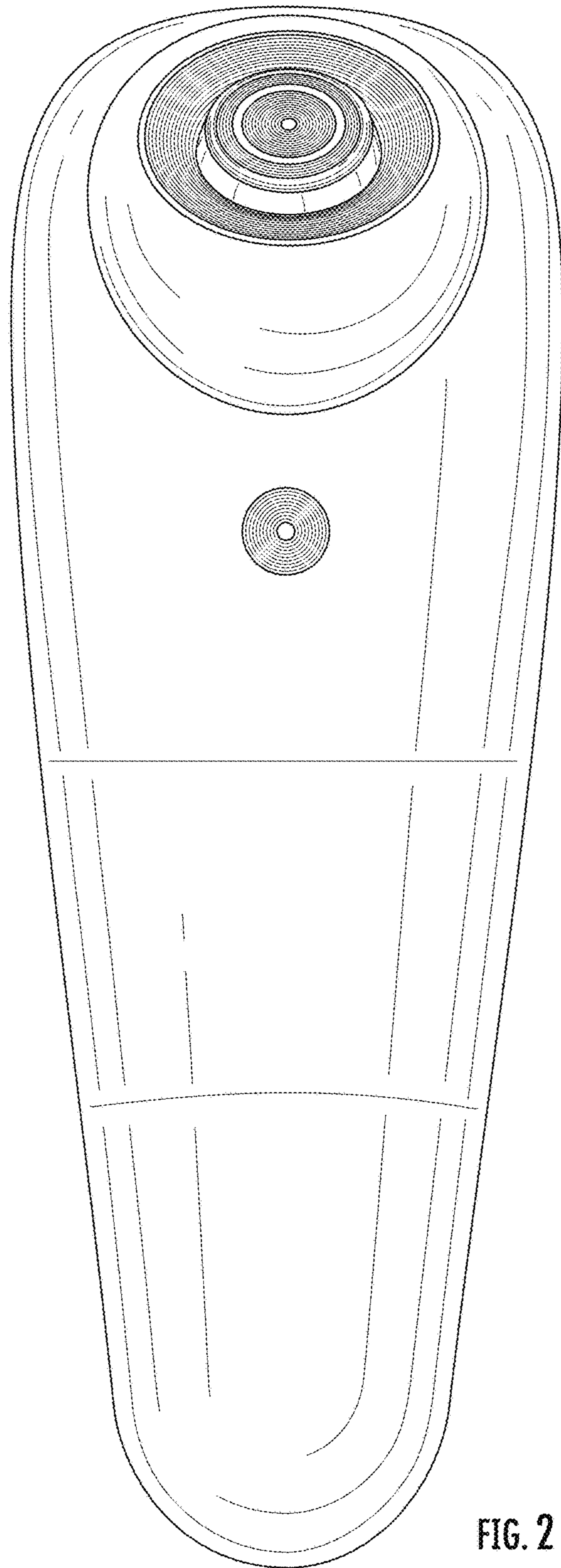


FIG. 2

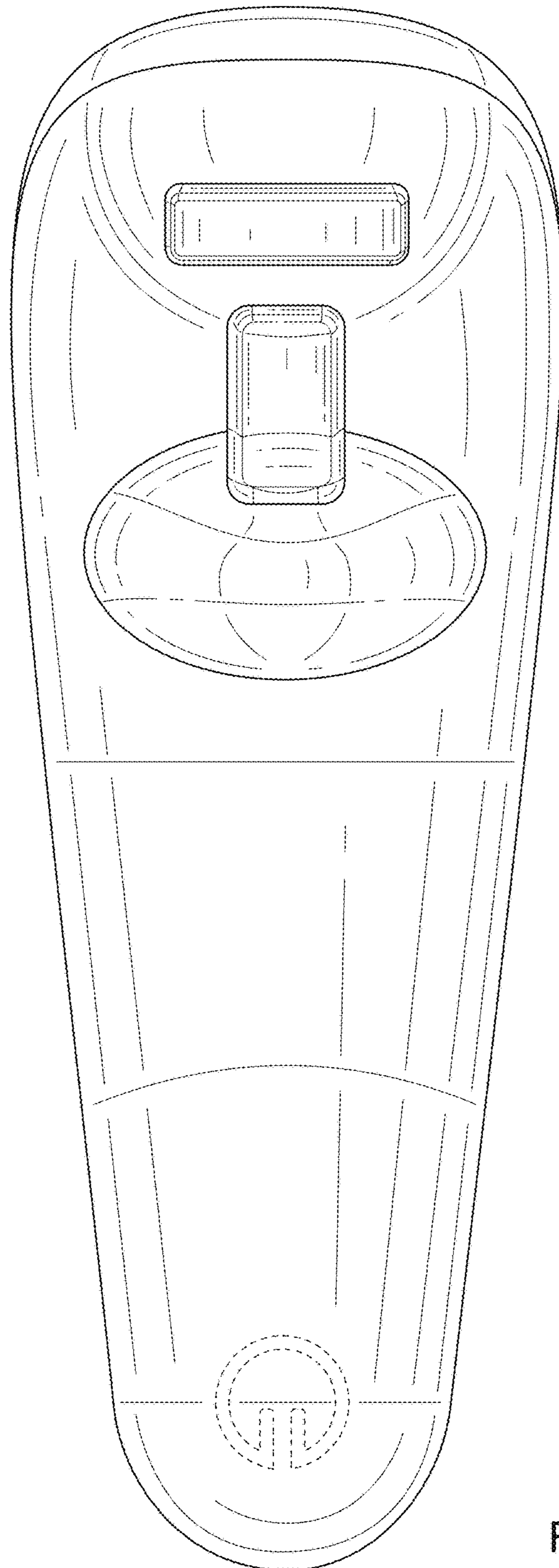


FIG. 3

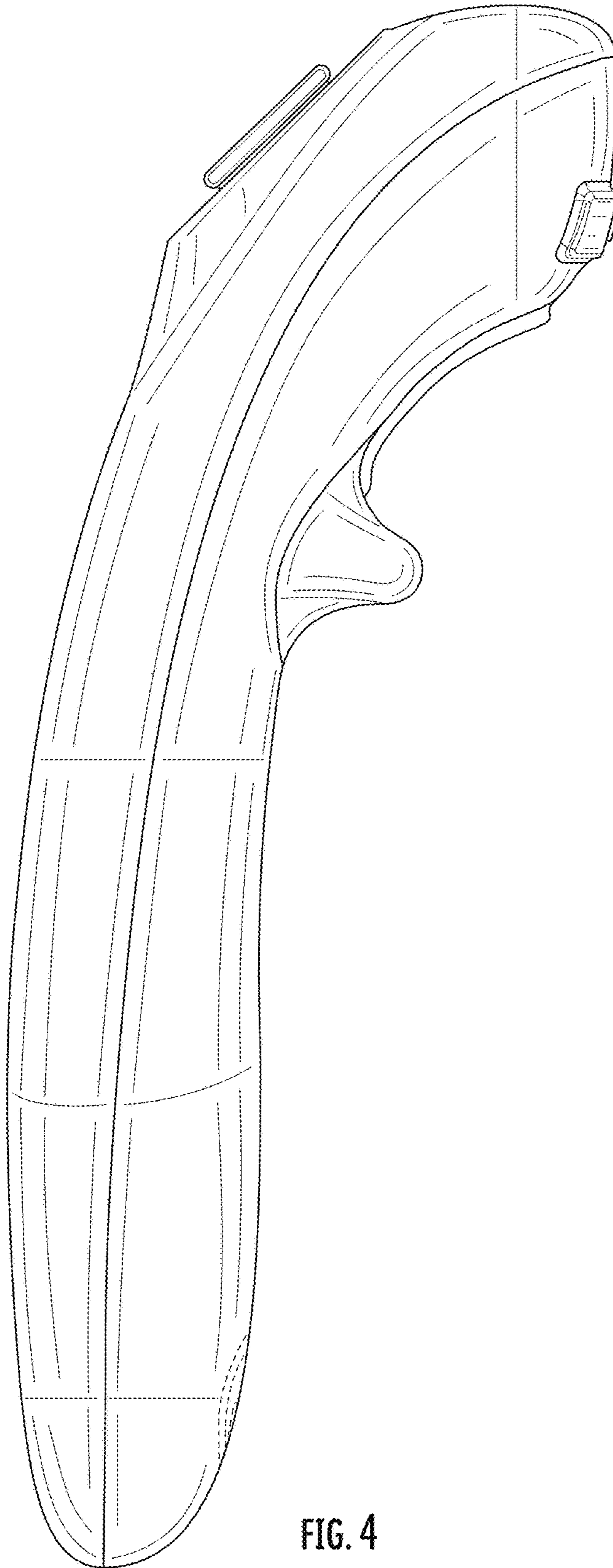


FIG. 4

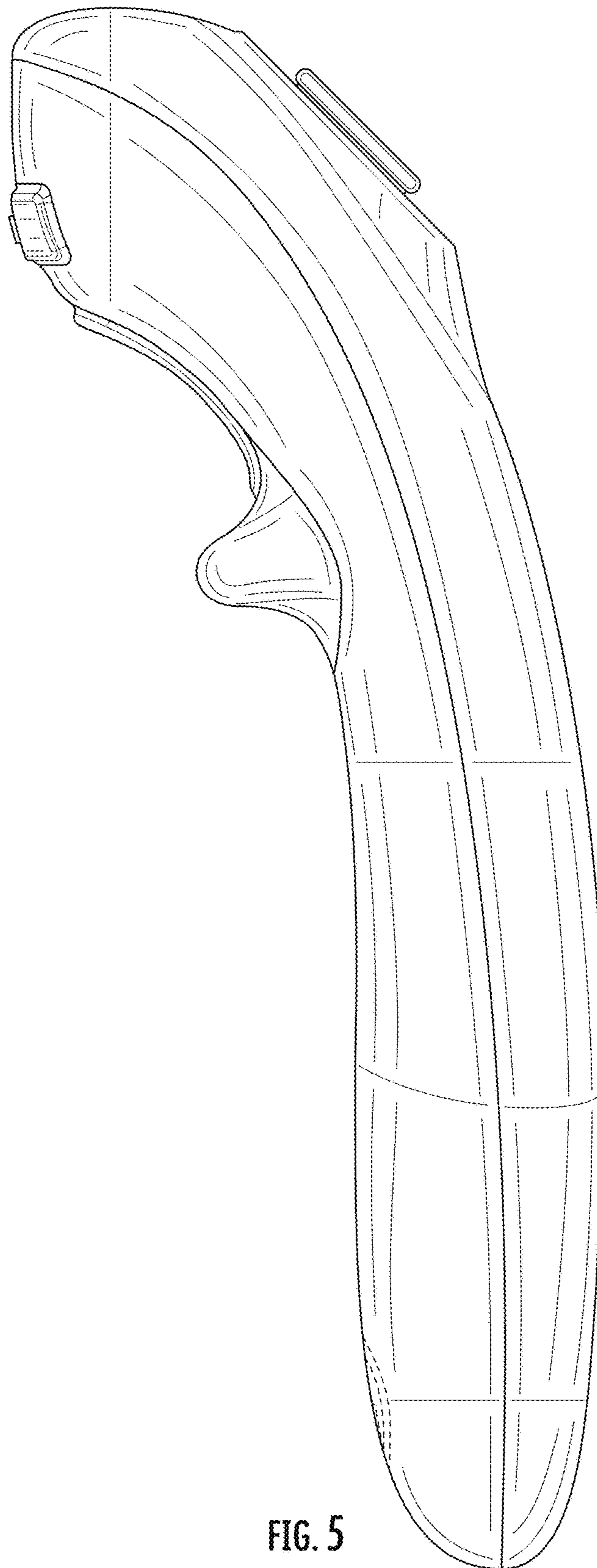


FIG. 5

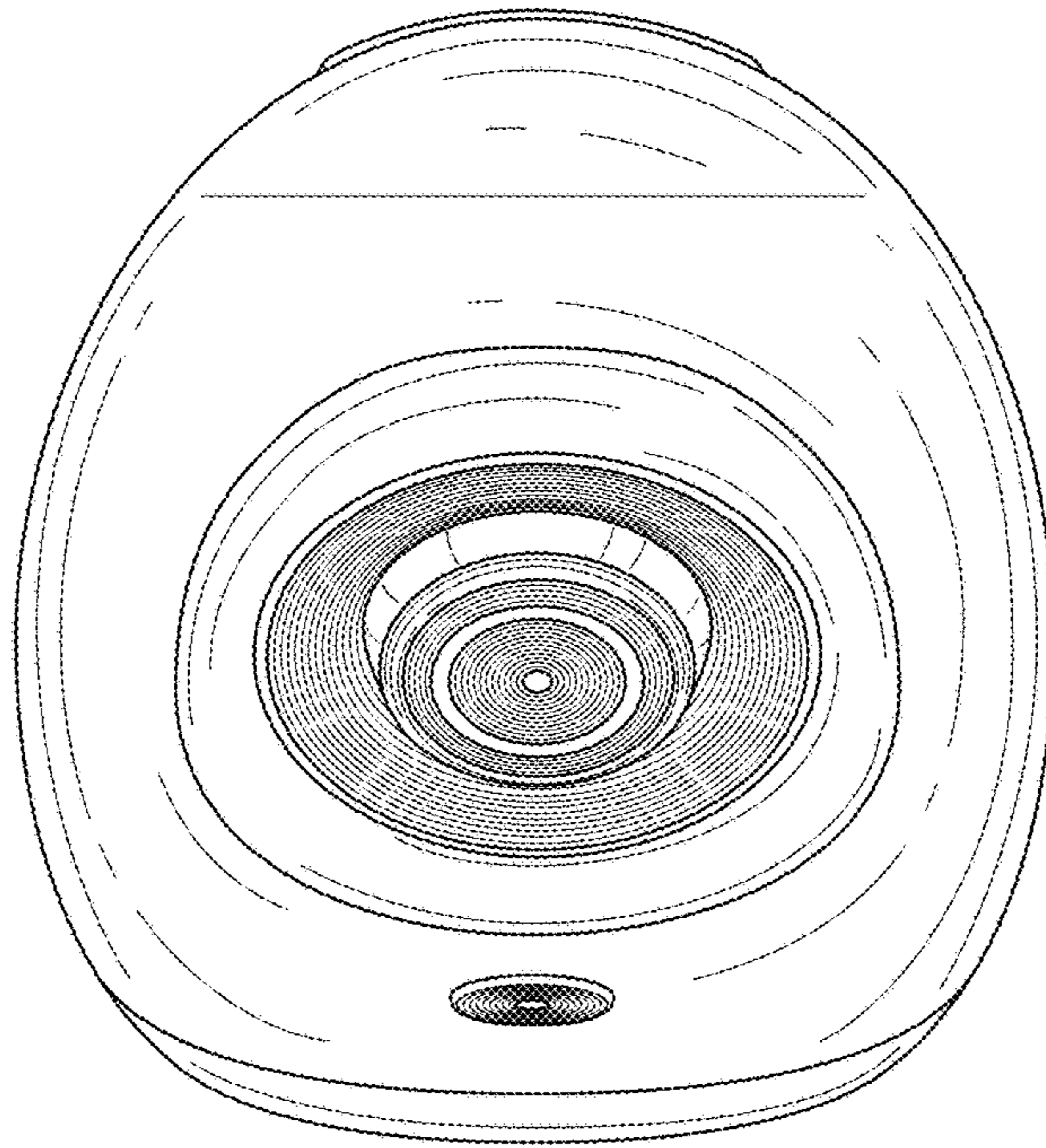


FIG. 6

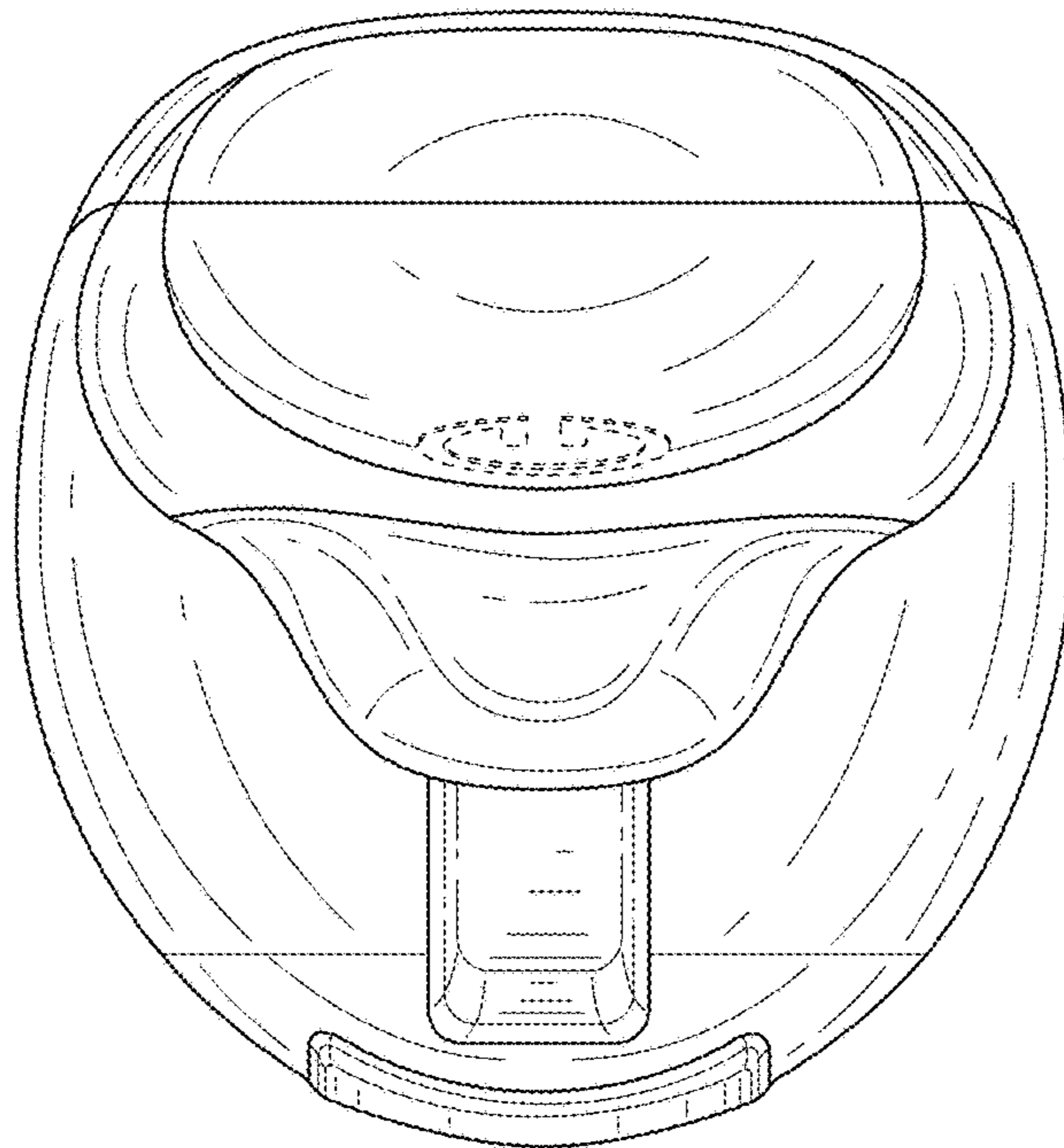


FIG. 7