



US00D813201S

(12) **United States Design Patent** (10) **Patent No.:** **US D813,201 S**
Shin et al. (45) **Date of Patent:** **** Mar. 20, 2018**

(54) **SPEAKER**

(56) **References Cited**

(71) Applicant: **LG ELECTRONICS INC.**, Seoul (KR)

U.S. PATENT DOCUMENTS

(72) Inventors: **Daekee Shin**, Seoul (KR); **Hophil Lee**, Seoul (KR); **Younghwan Lee**, Seoul (KR)

D368,093	S	*	3/1996	Starck	D14/189
8,175,304	B1	*	5/2012	North	H04R 1/403 381/17
D675,190	S	*	1/2013	Nylen	D14/215
D697,496	S	*	1/2014	Ashcraft	D14/216
D752,552	S	*	3/2016	D'Ascanio	D14/216
D770,416	S	*	11/2016	Tkachuk	D14/216
D778,956	S	*	2/2017	Langhammer	D14/203.1
D786,829	S	*	5/2017	Wang	D14/204
D797,073	S	*	9/2017	Yoon	D14/172
D798,268	S	*	9/2017	Fang	D14/216

(73) Assignee: **LG ELECTRONICS INC.**, Seoul (KR)

(**) Term: **15 Years**

* cited by examiner

(21) Appl. No.: **35/501,842**

Primary Examiner — George D Kirschbaum

(22) Filed: **May 9, 2016**

(74) *Attorney, Agent, or Firm* — Birch, Stewart, Kolasch & Birch, LLP

(80) **Hague Agreement Data**

Int. Filing Date: **May 9, 2016**

Int. Reg. No.: **DM/090677**

Int. Reg. Date: **May 9, 2016**

Int. Reg. Pub. Date: **Nov. 11, 2016**

(57) **CLAIM**

The ornamental design for a speaker, as shown and described.

(30) **Foreign Application Priority Data**

Nov. 9, 2015 (KR) 30-2015-0056330

(51) **LOC (11) Cl.** **14-01**

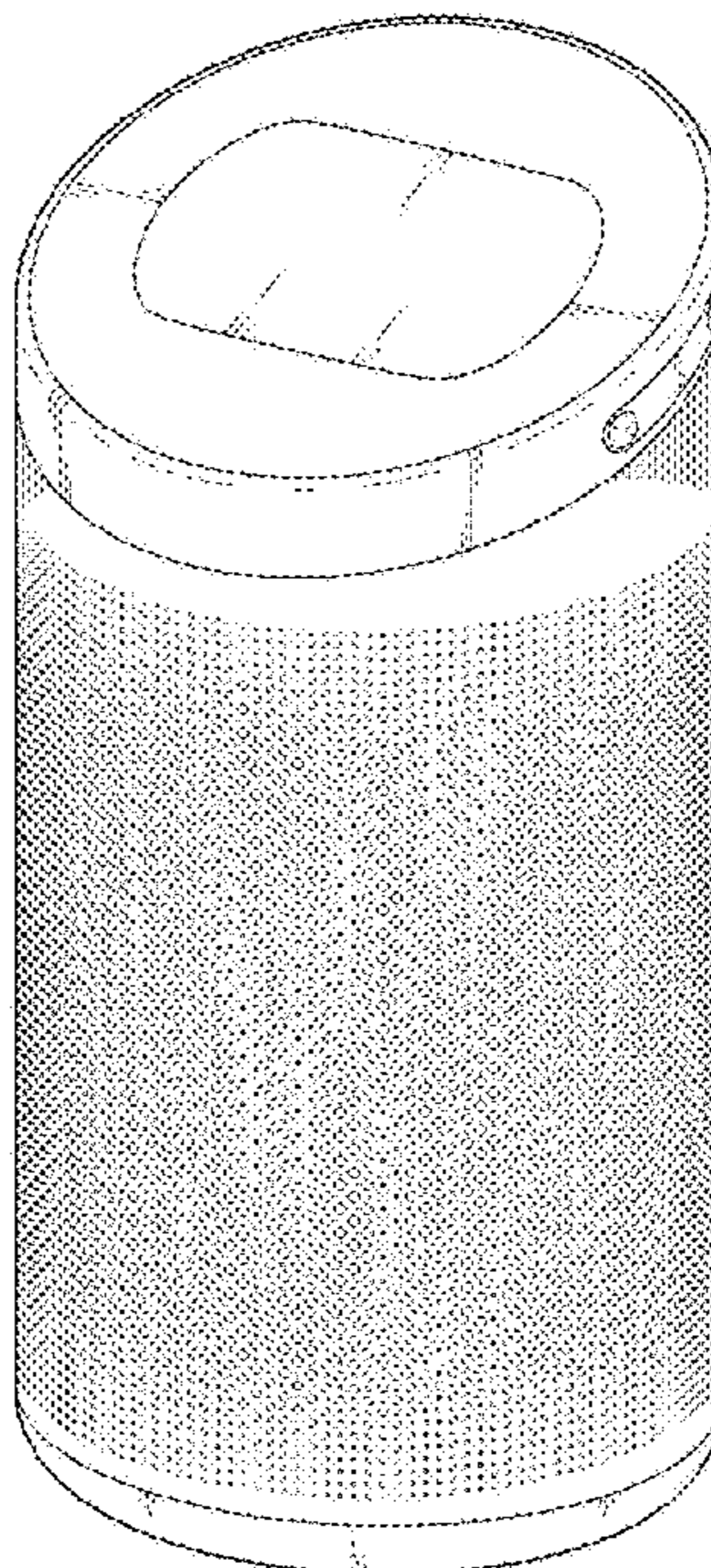
(52) **U.S. Cl.**
USPC **D14/216**

(58) **Field of Classification Search**
USPC D14/189, 215, 216, 203.1, 204, 172
CPC H04R 1/403
See application file for complete search history.

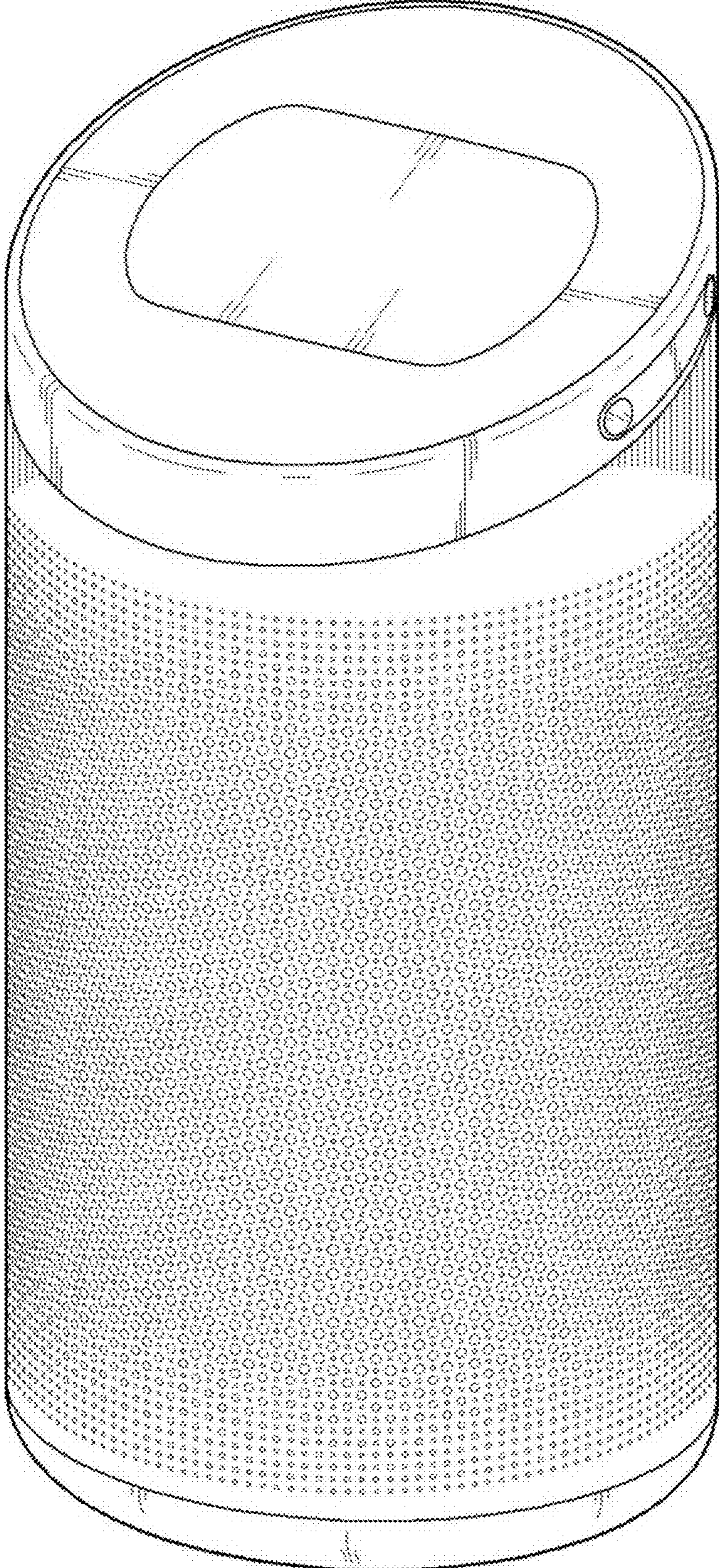
DESCRIPTION

1. Speaker
1.1 is a perspective view of a speaker;
1.2 is a front view thereof;
1.3 is a back view thereof;
1.4 is left side view thereof;
1.5 is a right side view thereof;
1.6 is a top plan view thereof; and
1.7 is a bottom plan view thereof.
The broken lines depict portions of the speaker that form no part of the claimed design.

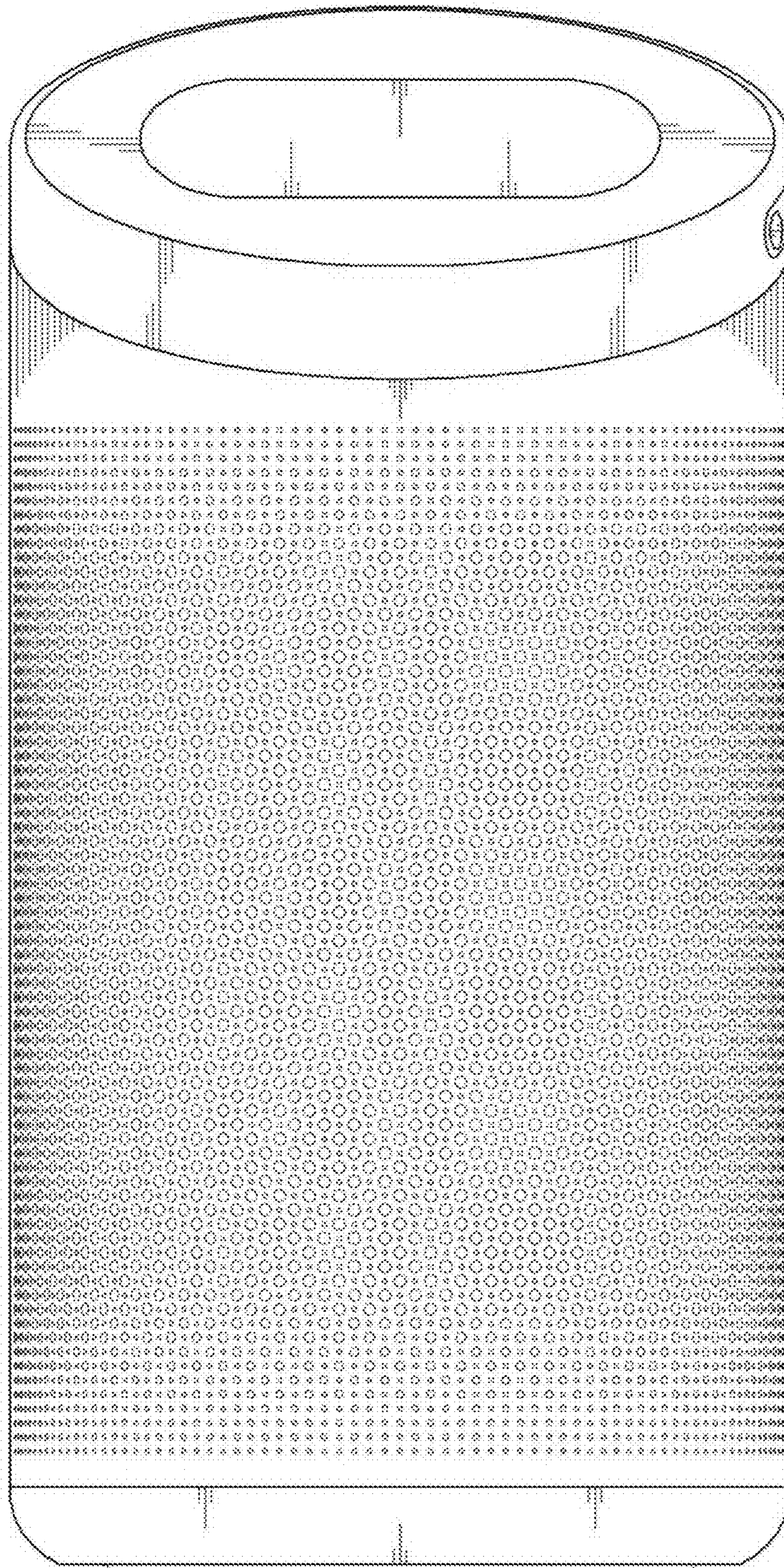
1 Claim, 7 Drawing Sheets



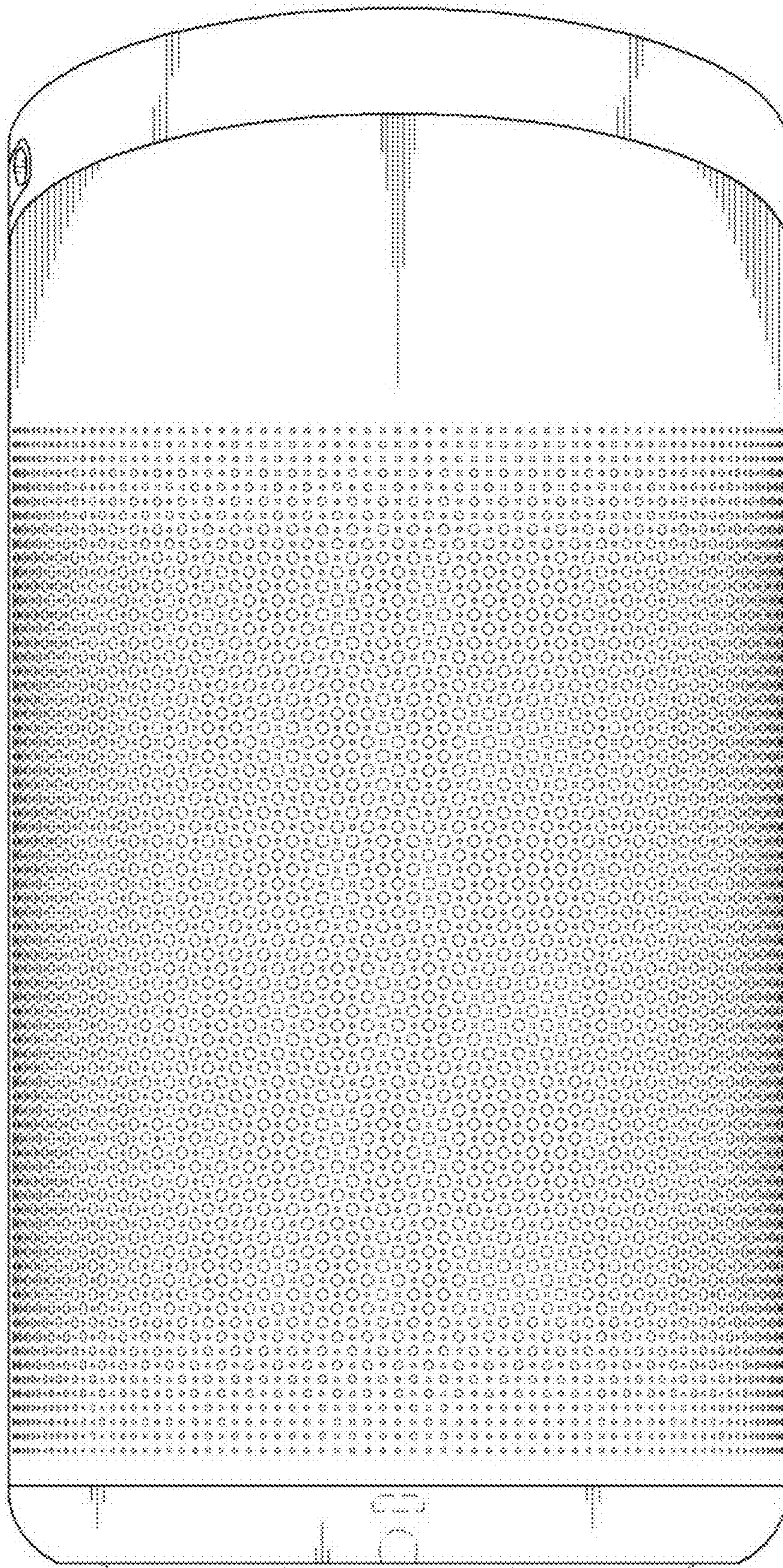
1.1



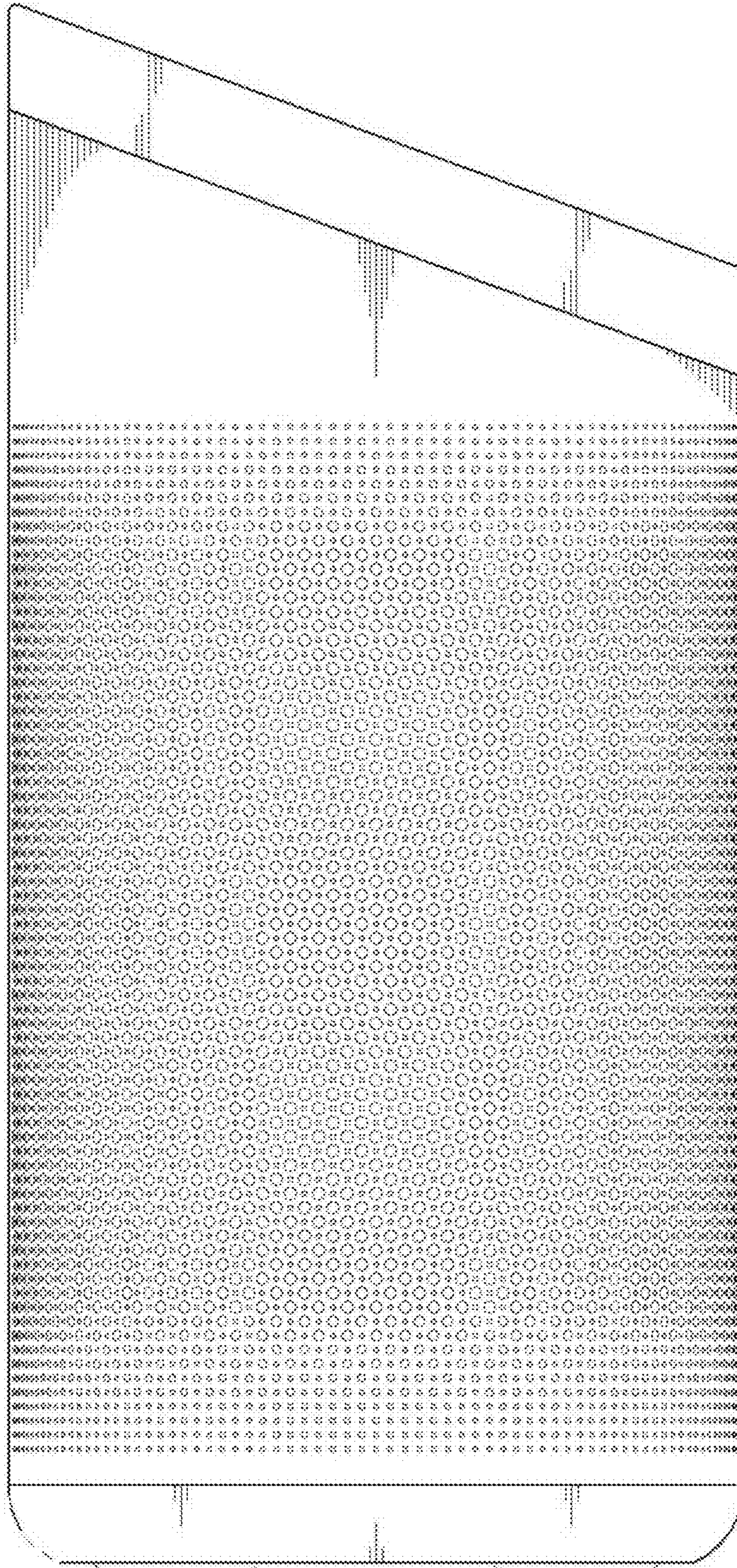
1.2



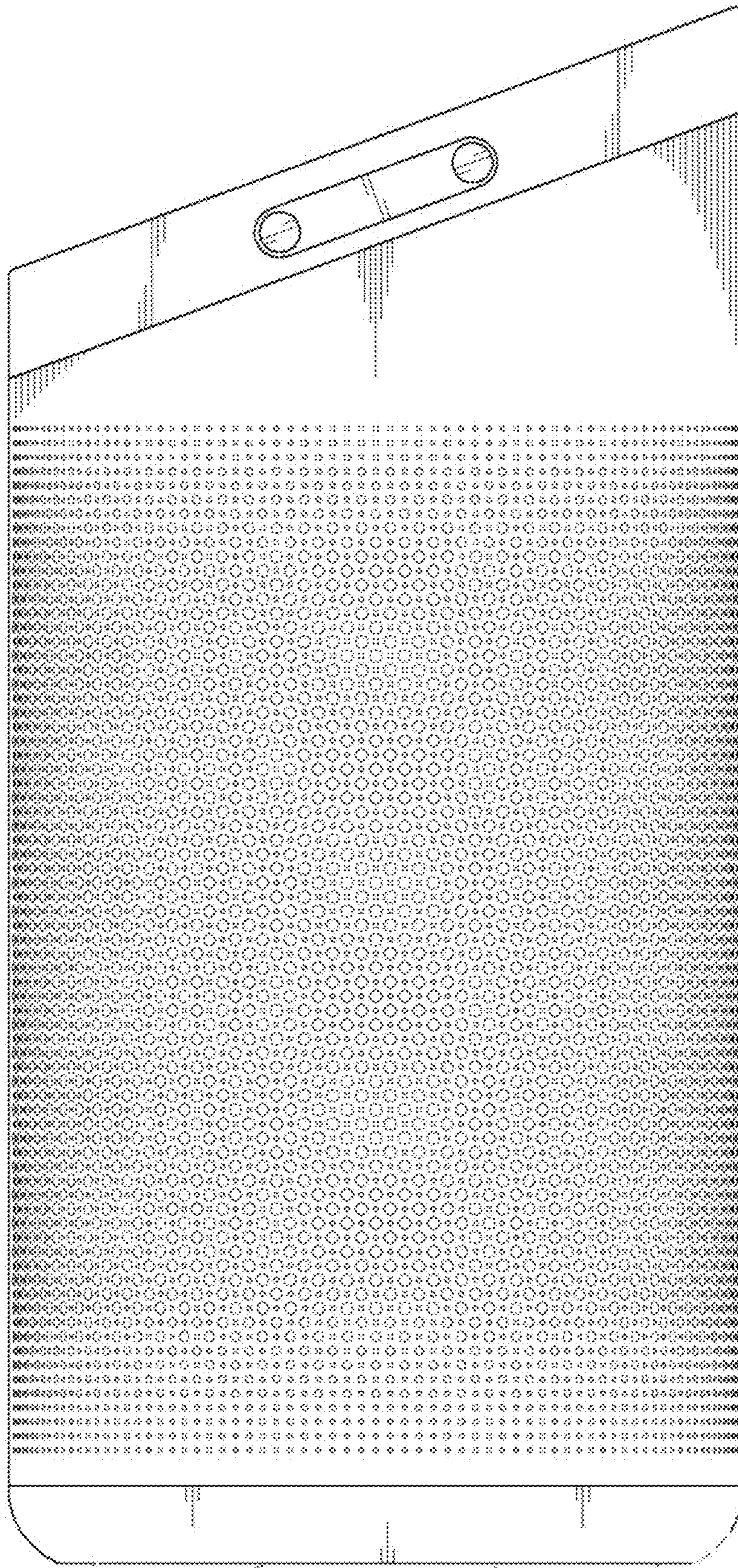
1.3



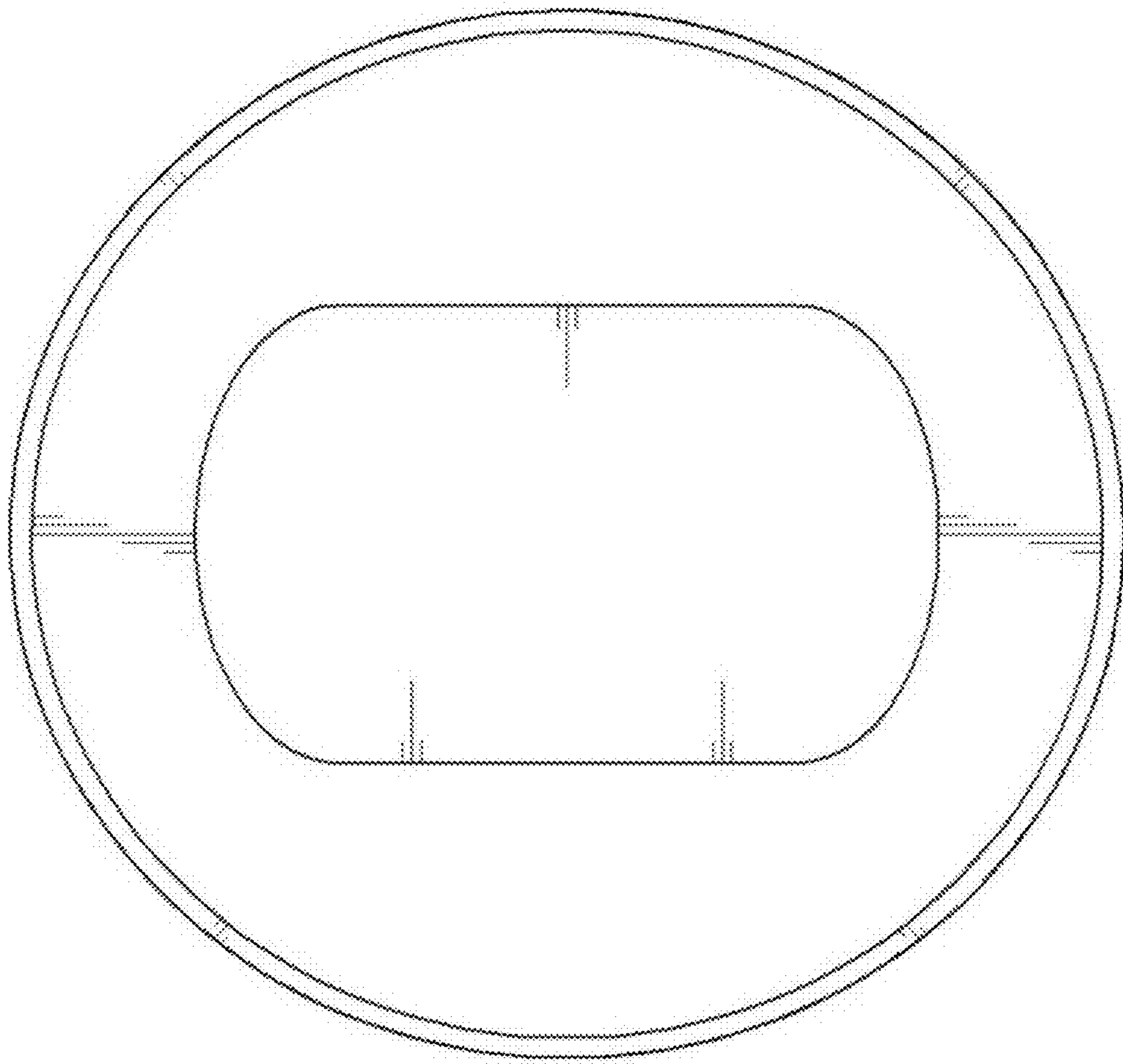
1.4



1.5



1.6



1.7

