



US00D813200S

(12) **United States Design Patent**
Rabinowitz

(10) **Patent No.:** **US D813,200 S**

(45) **Date of Patent:** **** Mar. 20, 2018**

(54) **SPEAKER SYSTEM**

(71) Applicant: **Noel Rabinowitz**, Alameda, CA (US)

(72) Inventor: **Noel Rabinowitz**, Alameda, CA (US)

(**) Term: **15 Years**

(21) Appl. No.: **29/561,707**

(22) Filed: **Apr. 19, 2016**

(51) **LOC (11) Cl.** **14-01**

(52) **U.S. Cl.**

USPC **D14/215**; D14/211; D14/216

(58) **Field of Classification Search**

USPC D14/168, 188, 194, 195, 196, 204, 210,
D14/211, 212, 213, 214, 215, 216

CPC B60R 11/0217; G06F 1/1688; G10K 9/22;
G10K 11/004; H03F 1/327; H04M 1/03;
H04M 1/035; H04N 5/642; H04N
21/4852; H04S 3/00; H04S 7/30; H04R
1/02; H04R 1/06; H04R 1/021; H04R
1/025; H04R 1/026; H04R 1/028; H04R
1/105; H04R 1/323; H04R 1/403; H04R
1/2803; H04R 1/2834; H04R 5/02; H04R
7/20; H04R 9/06; H04R 9/025; H04R
2201/021; H04R 2400/00; H04R 2400/07;
H04R 2499/11; H04R 2499/13; H04R
2499/15

See application file for complete search history.

(56) **References Cited**

U.S. PATENT DOCUMENTS

D120,103 S * 4/1940 Boor 352/36
D168,934 S * 3/1953 Greene D14/168
D187,298 S * 2/1960 Grover D14/168
3,086,297 A * 4/1963 Kay G09B 5/062
369/53.4
D237,089 S * 10/1975 Walker D14/196
D240,315 S * 6/1976 Kimbell D14/195
D250,760 S * 1/1979 Ash D14/193

D315,736 S * 3/1991 Takagi D14/172
D495,012 S * 8/2004 Morimoto D14/188
7,201,251 B1 * 4/2007 Baird H04R 1/227
181/145
D591,267 S * 4/2009 Files D12/114
D607,283 S * 1/2010 Mahan D14/196
D619,565 S * 7/2010 Chen D14/216
D621,385 S * 8/2010 Baron D14/216
D717,125 S * 11/2014 Henderson D7/606
D740,199 S * 10/2015 Akita D14/216
D754,097 S * 4/2016 Pineau D14/204
D770,415 S * 11/2016 Pellisari D14/216
D777,704 S * 1/2017 Helwig D14/215
D786,827 S * 5/2017 Nesbit D14/204

OTHER PUBLICATIONS

AnyArena—BOOMCASE, announced Jan. 4, 2012 [online], [site visited Jul. 10, 2017]. Available from internet, URL: <http://anyarena.com/en/life/boomcase_3841>.*

(Continued)

Primary Examiner — Keli L Hill

Assistant Examiner — Karra S Johnson

(74) *Attorney, Agent, or Firm* — Omair M. Farooqui

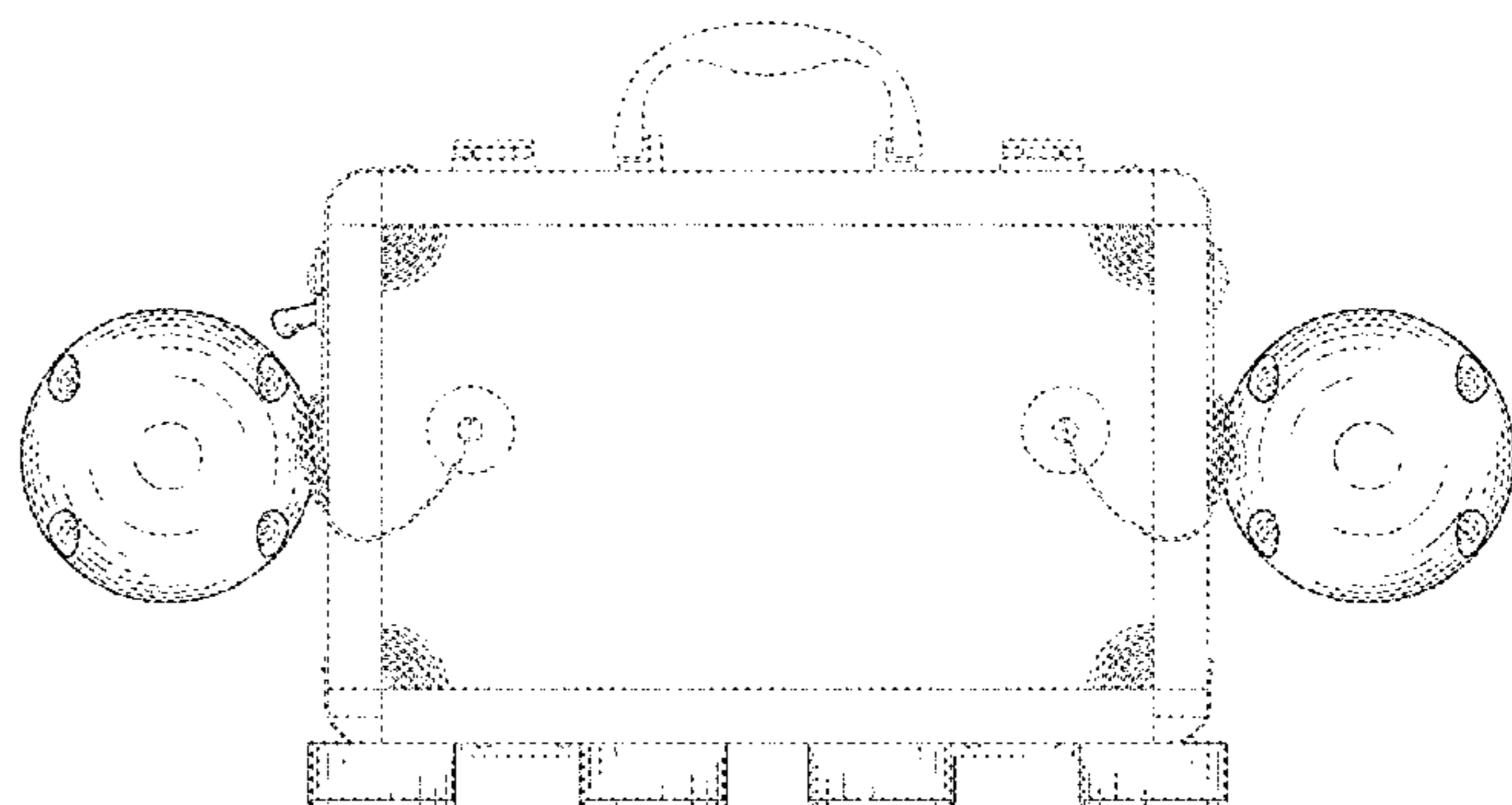
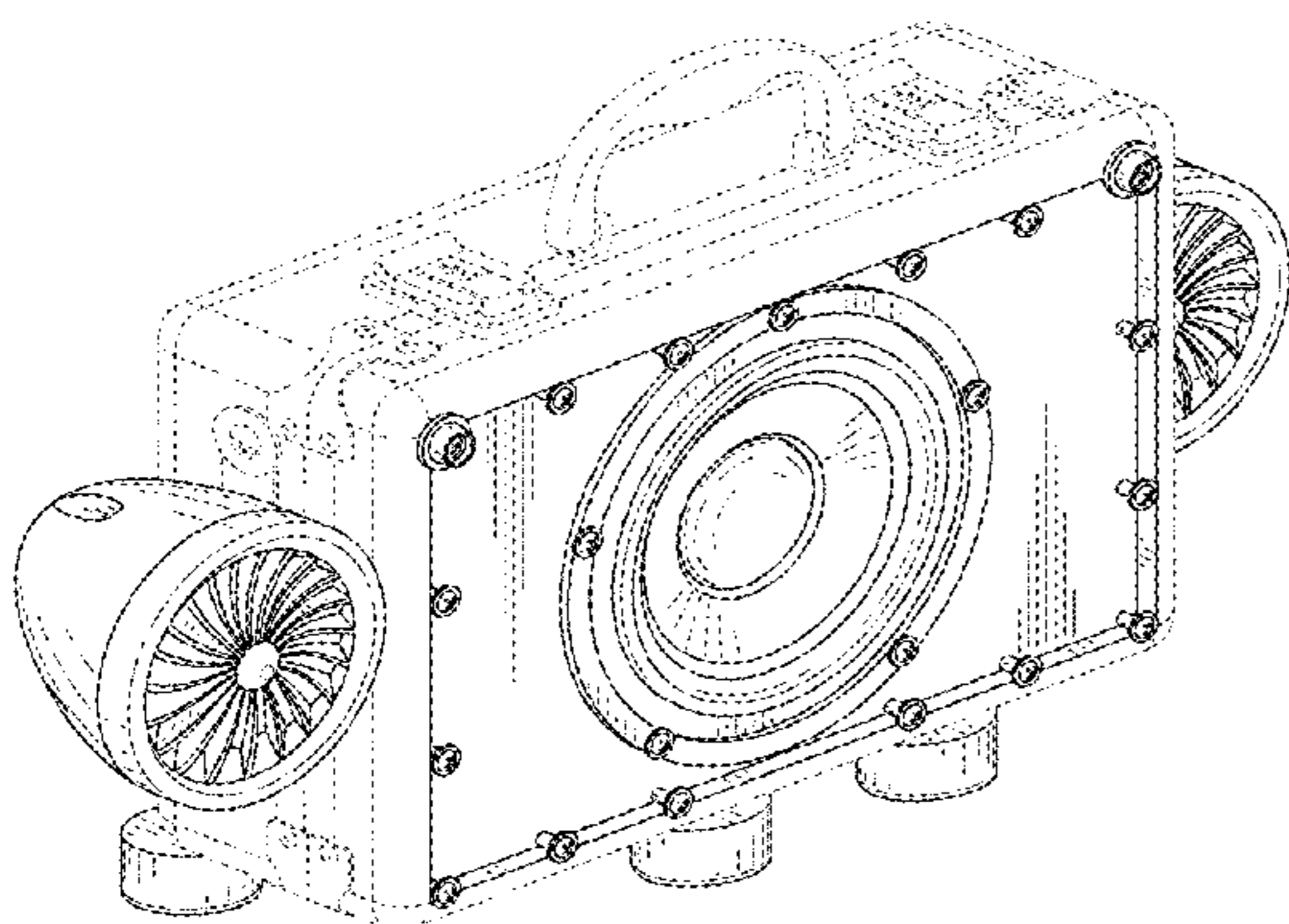
(57) **CLAIM**

The ornamental design for a speaker system, as described and shown.

DESCRIPTION

FIG. 1 is a perspective view of a speaker system; FIG. 2 is a front elevational view thereof; FIG. 3 is a rear elevational view thereof; FIG. 4 is a right side plan view thereof; FIG. 5 is a left side plan view thereof; FIG. 6 is a top plan view thereof; and, FIG. 7 is a bottom plan view thereof. The broken lines shown in FIGS. 1-7 are environmental only and form no part of the claimed design.

1 Claim, 6 Drawing Sheets



(56)

References Cited

OTHER PUBLICATIONS

YouTube—Monster Masher, announced Feb. 1, 2012 [online], [site visited Jul. 10, 2017]. Available from internet, URL: <<https://www.youtube.com/watch?v=pR0rmfjD6Y>>.*

Core 77—Repurposed Speakers, announced May 2, 2013 [online], [site visited Jul. 10, 2017]. Available from internet, URL: <<http://www.core77.com/posts/24825/more-repurposed-speakers-soundpauli-24825>>.*

Make Zine—Build an Epic Boombox, announced May 13, 2013 [online], [site visited Jul. 10, 2017]. Available from internet, URL: <<http://makezine.com/2013/05/13/build-a-boomcase-and-upcycle-that-old-suitcase/>>.*

HiConsumption—Suitcase Boombox (Web Archive), announced Oct. 20, 2012 [online], [site visited Jul. 10, 2017]. Available from internet, URL: <<https://web.archive.org/web/20121020204922/http://hiconsumption.com/2012/07/case-of-bass-vintage-suitcase-boombox/>>.*

* cited by examiner

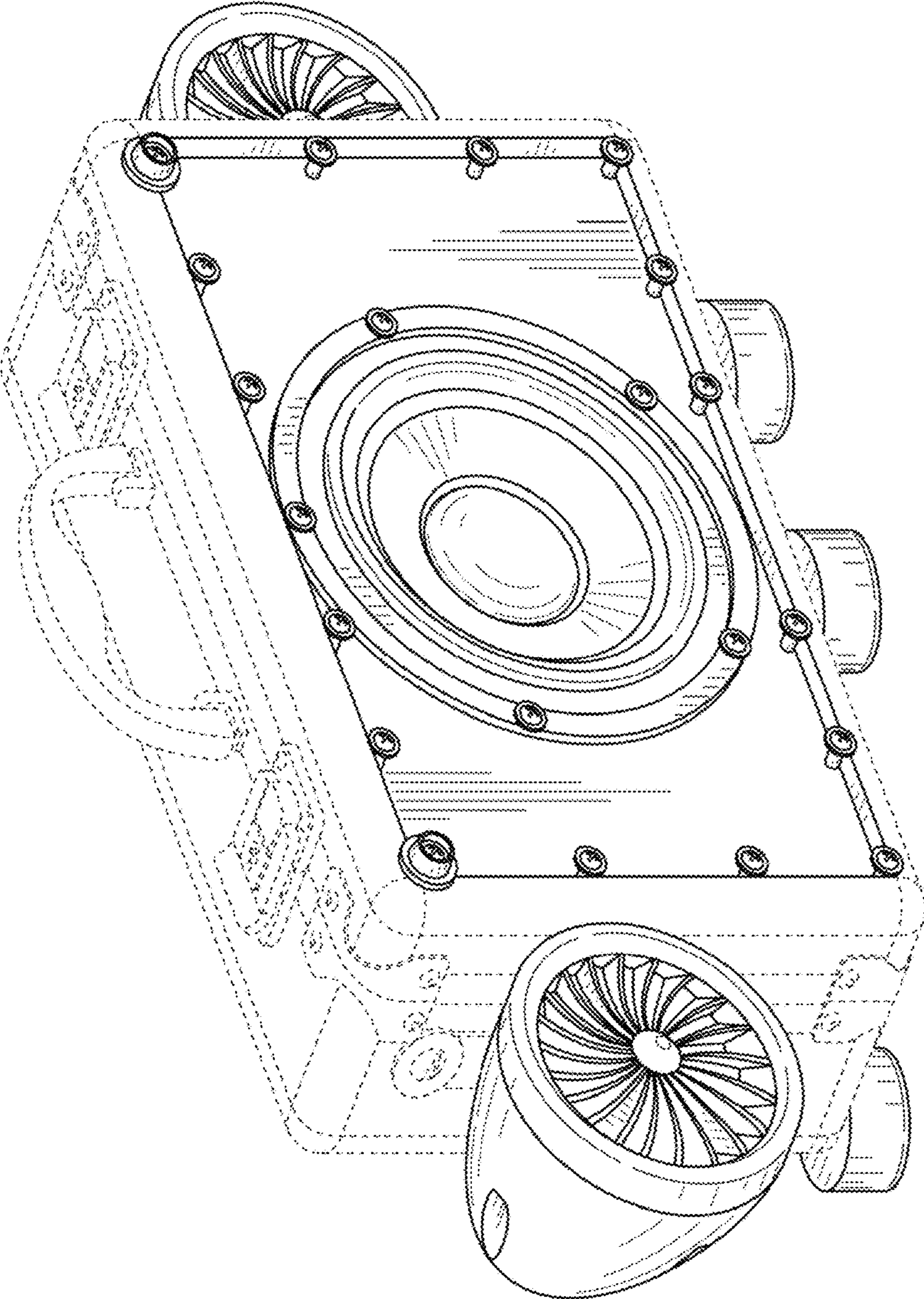


FIG. 1

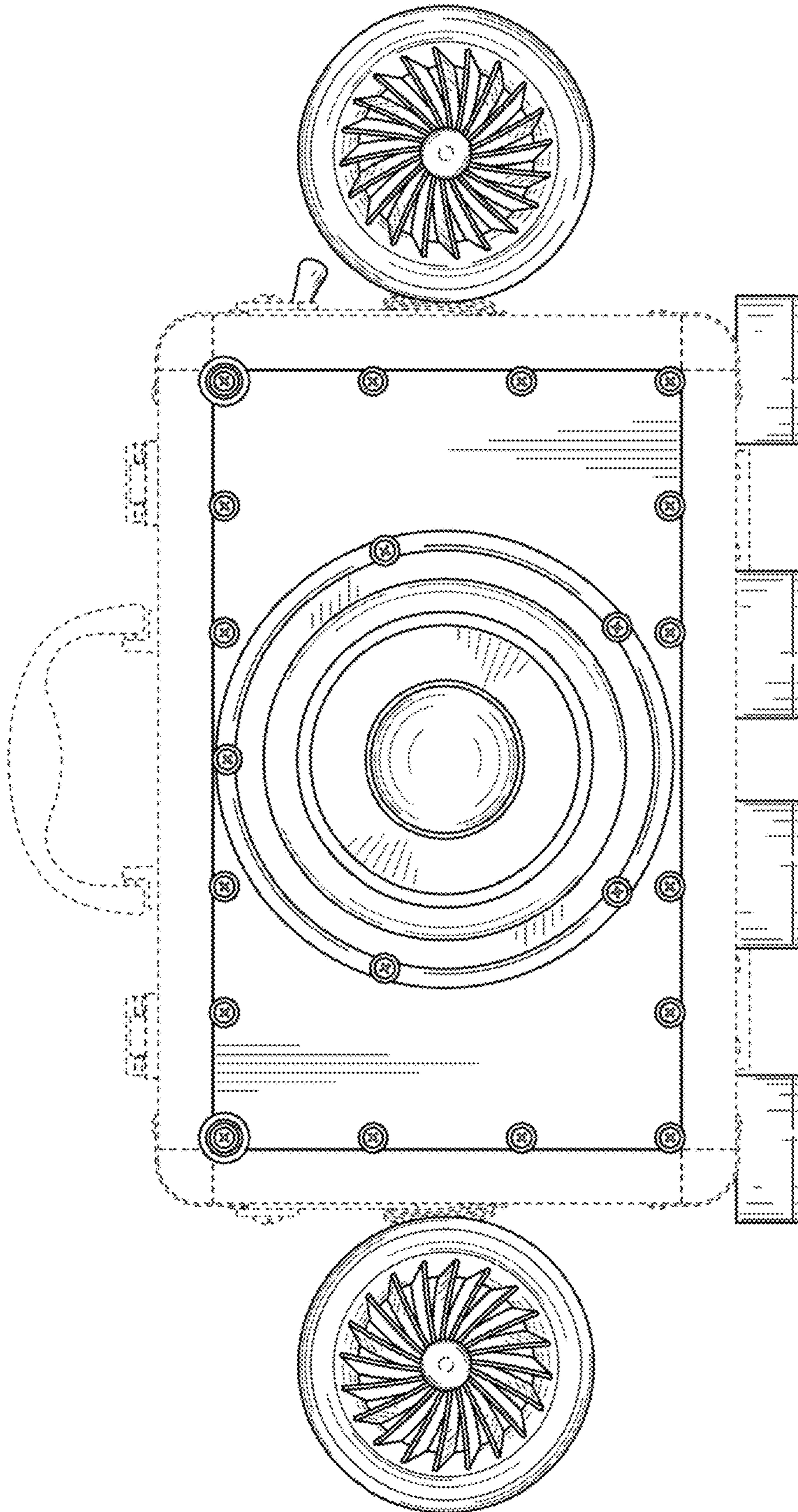


FIG. 2

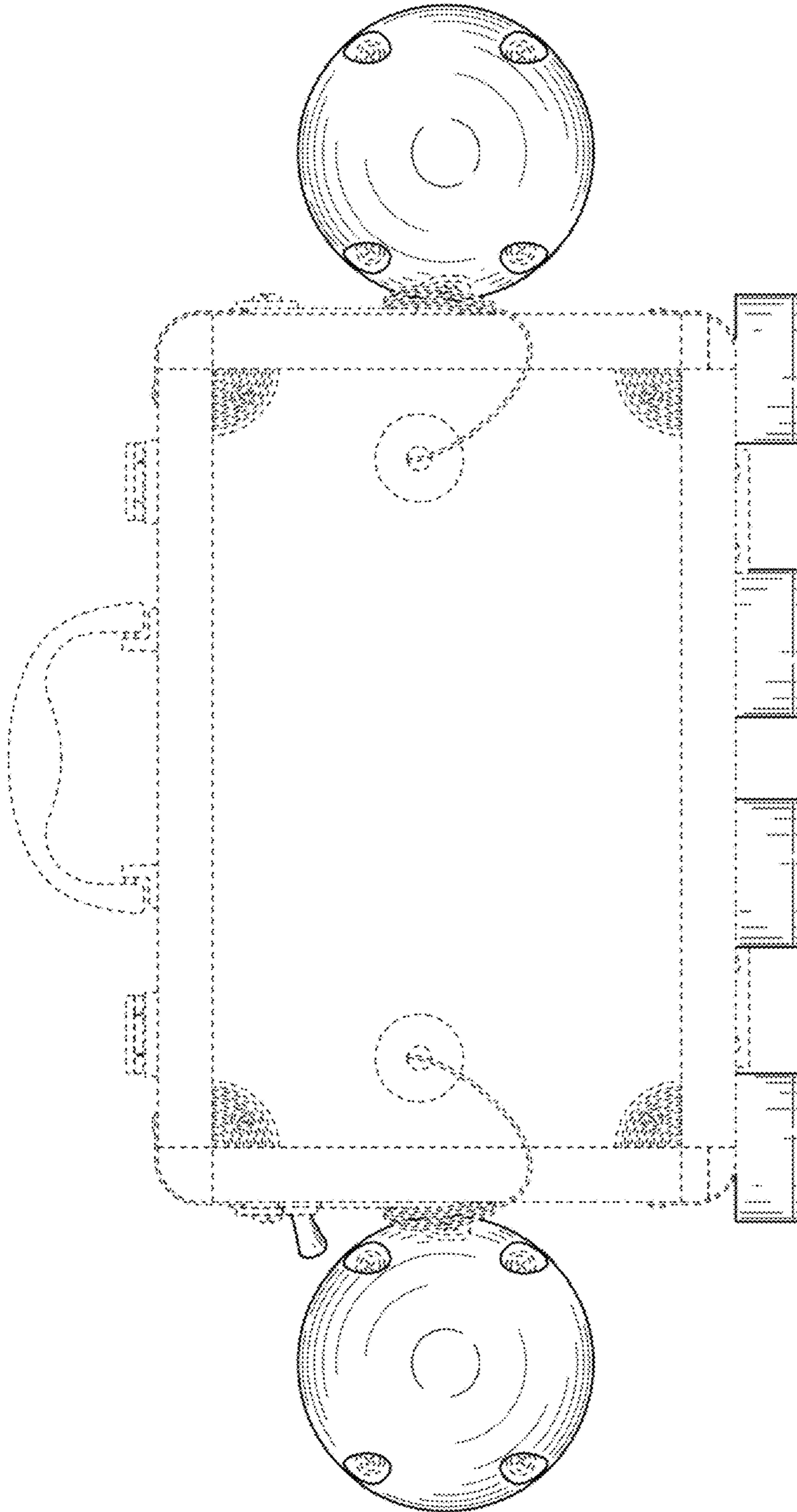


FIG. 3

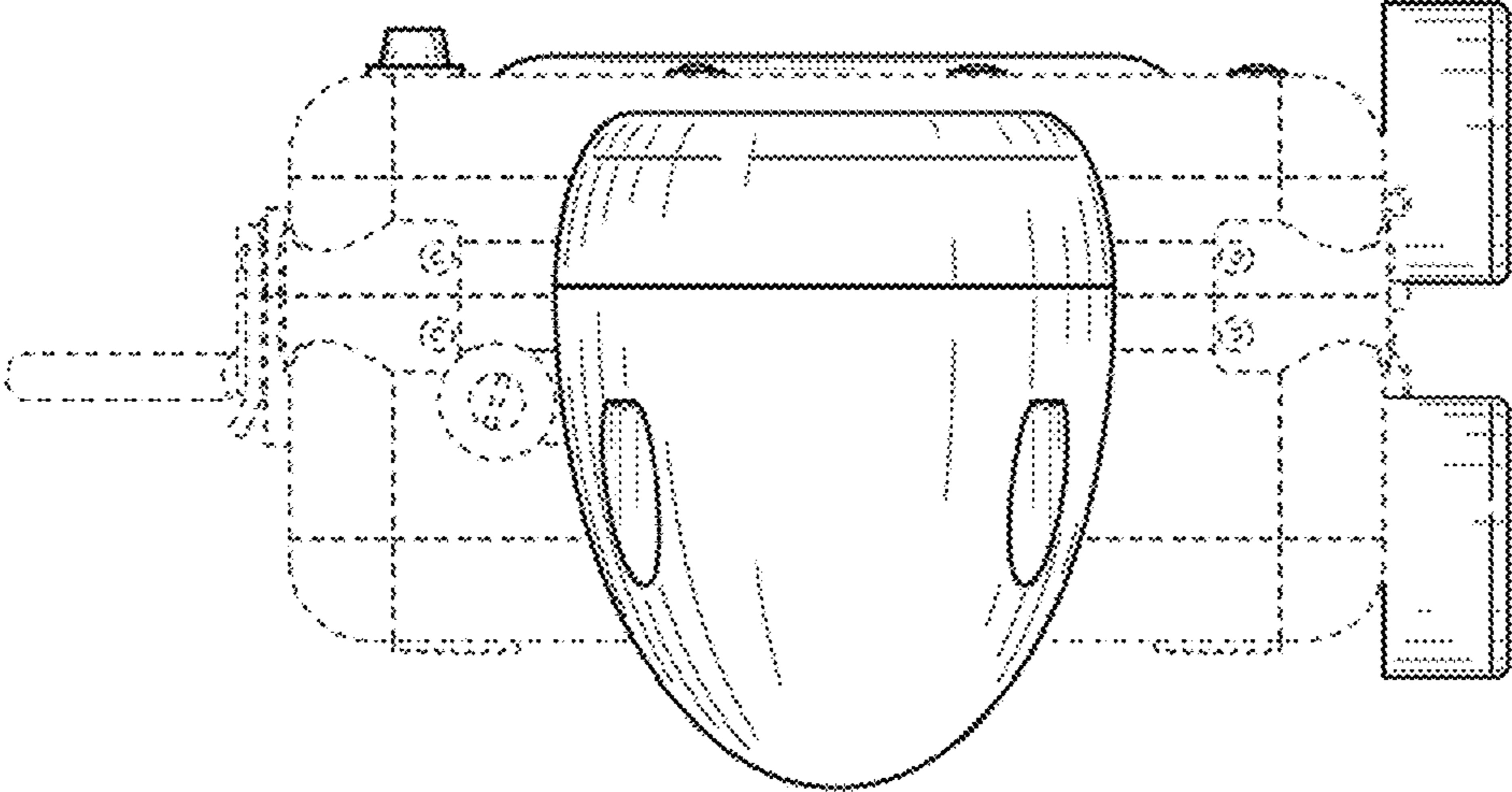


FIG. 5

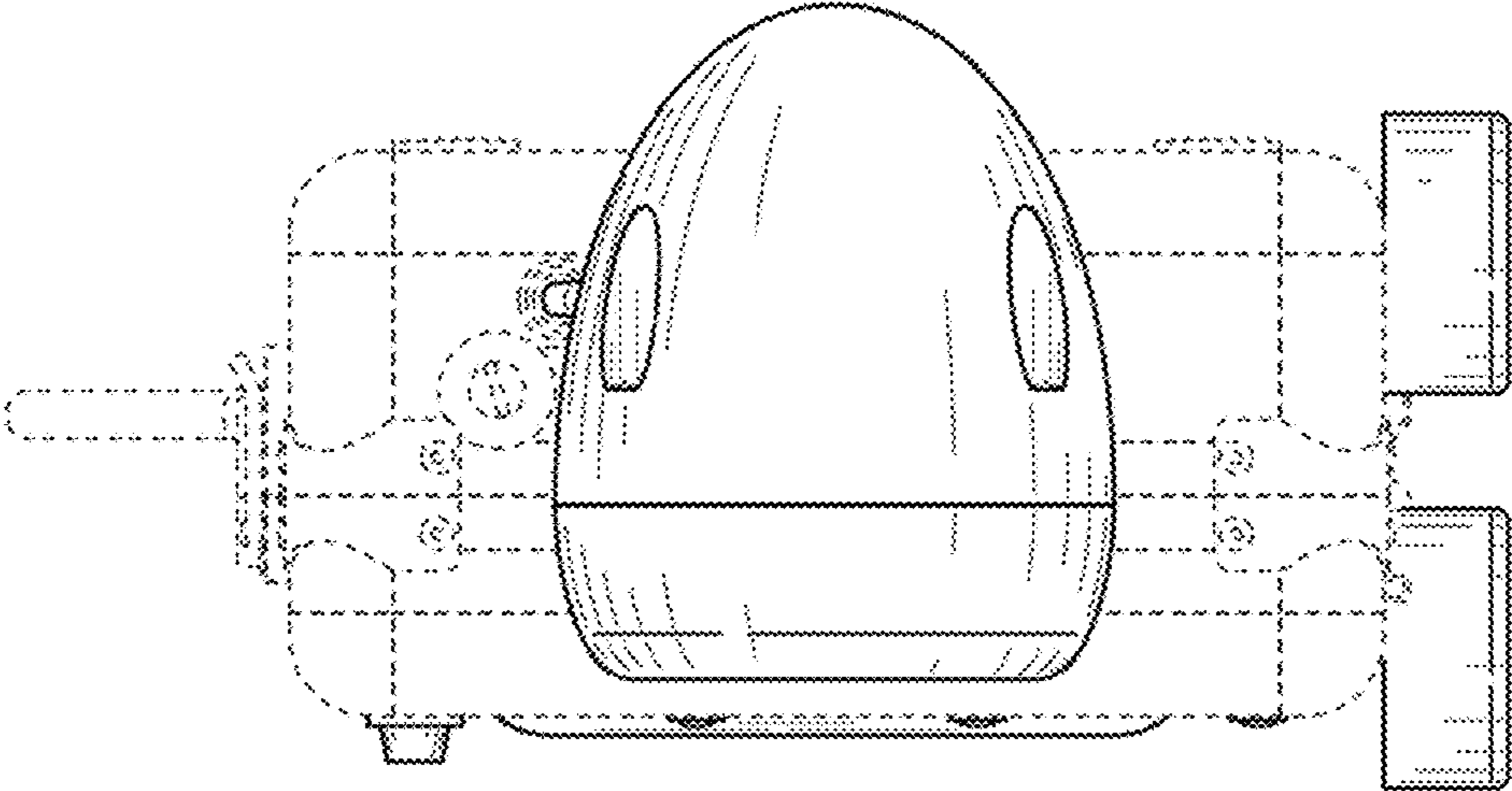


FIG. 4

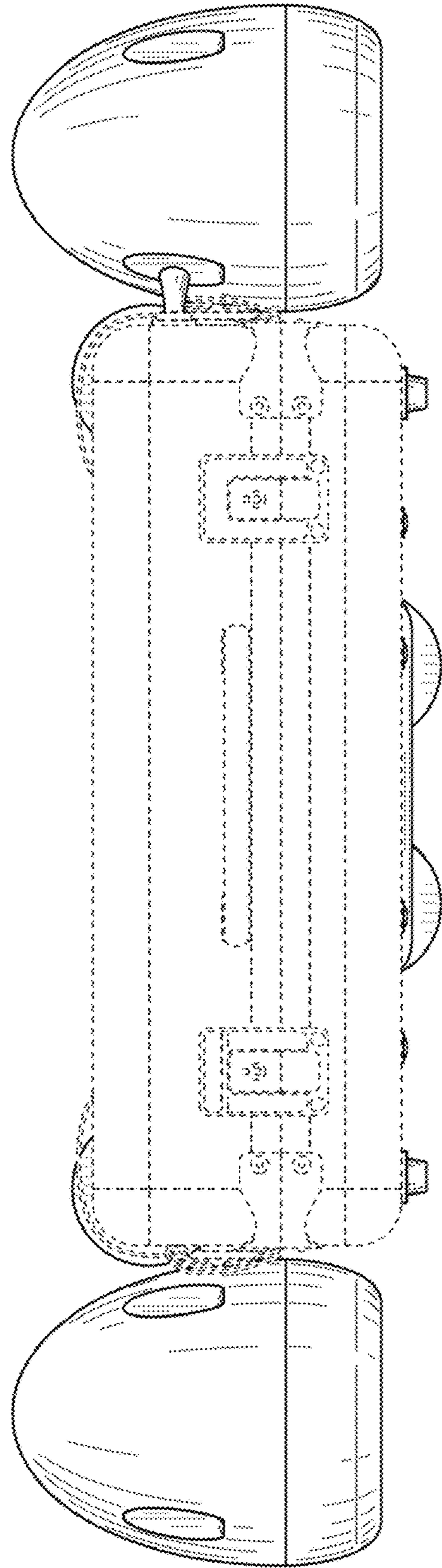


FIG. 6

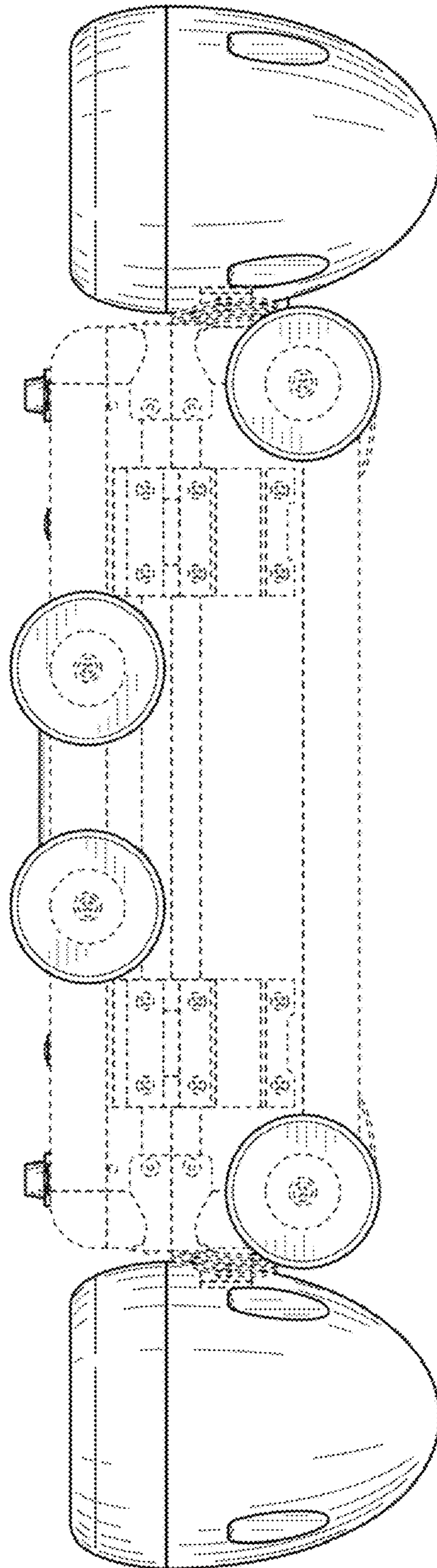


FIG. 7