



US00D813198S

(12) **United States Design Patent**  
**Lin**

(10) **Patent No.:** **US D813,198 S**

(45) **Date of Patent:** **\*\* Mar. 20, 2018**

(54) **WIRELESS SPEAKER**

2400/00; H04R 2400/07; H04R 2499/11;  
H04R 2499/13; H04R 2499/15; H04S  
3/00; H04S 7/30

(71) Applicant: **Zhijie Lin**, Guangdong (CN)

See application file for complete search history.

(72) Inventor: **Zhijie Lin**, Guangdong (CN)

(\*\*) Term: **15 Years**

(56) **References Cited**

(21) Appl. No.: **29/564,289**

U.S. PATENT DOCUMENTS

(22) Filed: **May 12, 2016**

D480,381 S *	10/2003	Harris	.....	D14/188
D755,160 S *	5/2016	Ponce	.....	D14/214
D758,346 S *	6/2016	DiTullo	.....	D14/214
D758,993 S *	6/2016	Shi	.....	D14/214
D786,828 S *	5/2017	Hua	.....	D14/204

(51) **LOC (11) Cl.** ..... **14-03**

(52) **U.S. Cl.**  
USPC ..... **D14/214**

\* cited by examiner

(58) **Field of Classification Search**

*Primary Examiner* — Keli L Hill

USPC ..... D14/167, 168, 170–172, 188, 194–196,  
D14/204, 207, 209.1, 210–216, 219, 221,  
D14/222, 224, 239, 496; 181/143, 144,  
181/147, 148, 150, 153, 157, 198, 199;  
381/300–303, 306, 332, 333, 336, 345,  
381/361–364, 386–388; 369/6–12  
CPC ..... B60R 11/0217; G06F 1/1688; G10K 9/22;  
G10K 11/004; H03F 1/327; H04M 1/03;  
H04M 1/035; H04N 5/642; H04N  
21/4852; H04R 1/02; H04R 1/06; H04R  
1/021; H04R 1/025; H04R 1/026; H04R  
1/028; H04R 1/105; H04R 1/323; H04R  
1/403; H04R 1/2803; H04R 1/2834;  
H04R 5/02; H04R 7/20; H04R 9/06;  
H04R 9/025; H04R 2201/021; H04R

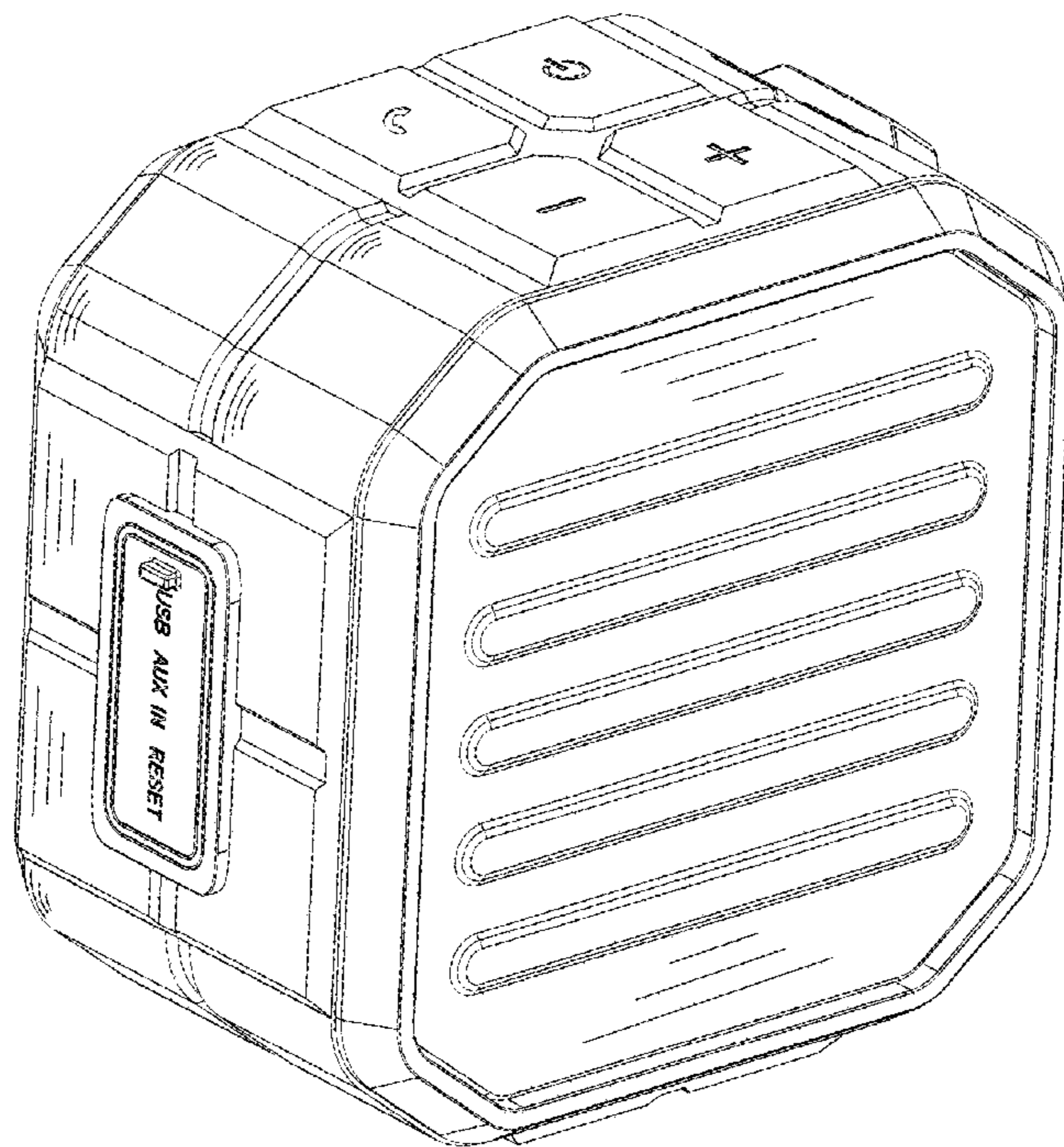
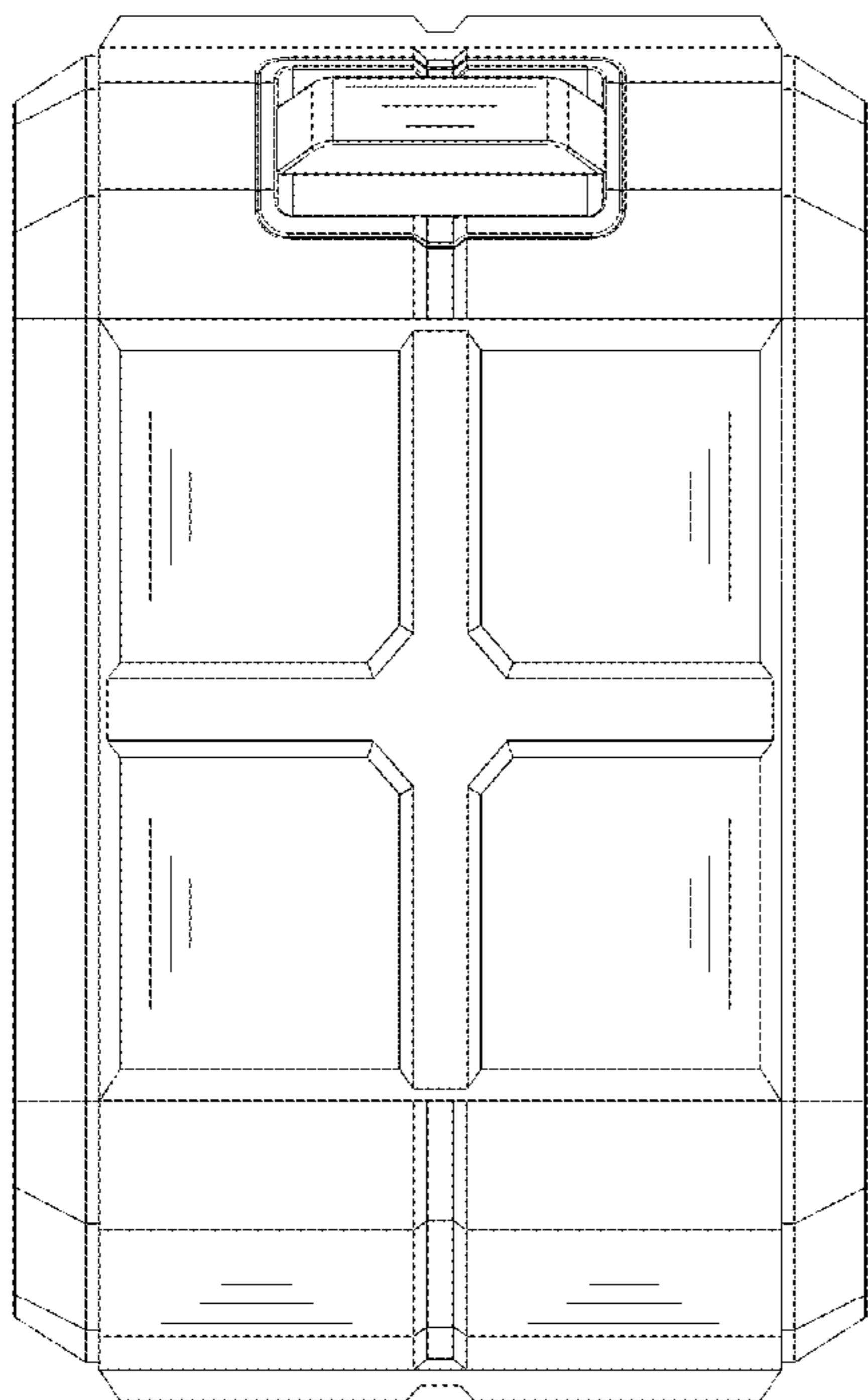
(57) **CLAIM**

The ornamental design for a wireless speaker, as shown.

**DESCRIPTION**

FIG. 1 is a front elevational view of a wireless speaker showing my new design;  
FIG. 2 is a rear elevational view thereof;  
FIG. 3 is a left side view thereof;  
FIG. 4 is a right side view thereof;  
FIG. 5 is a top plan view thereof;  
FIG. 6 is a bottom plan view thereof; and,  
FIG. 7 is a perspective view thereof.

**1 Claim, 6 Drawing Sheets**



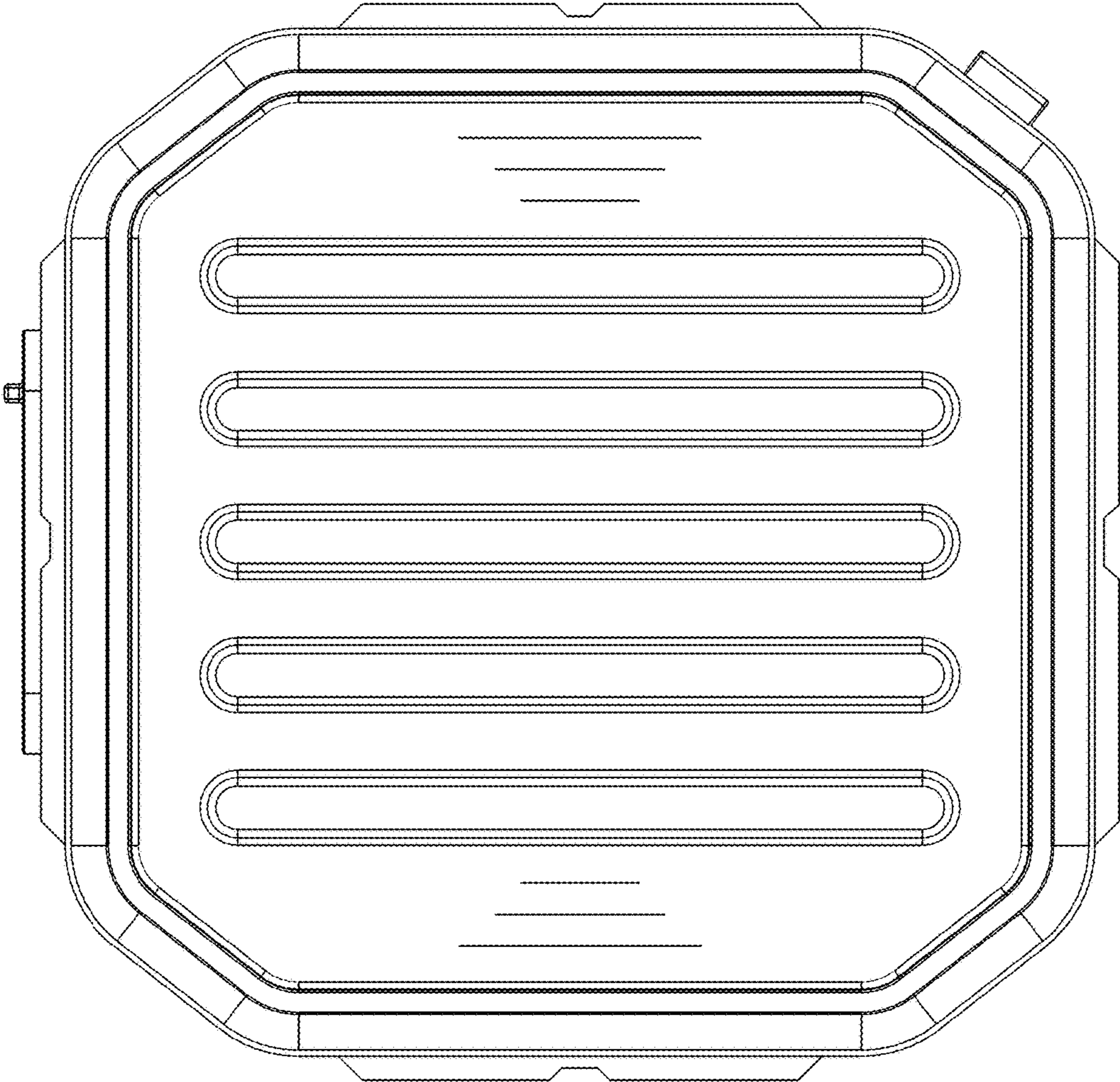


FIG. 1

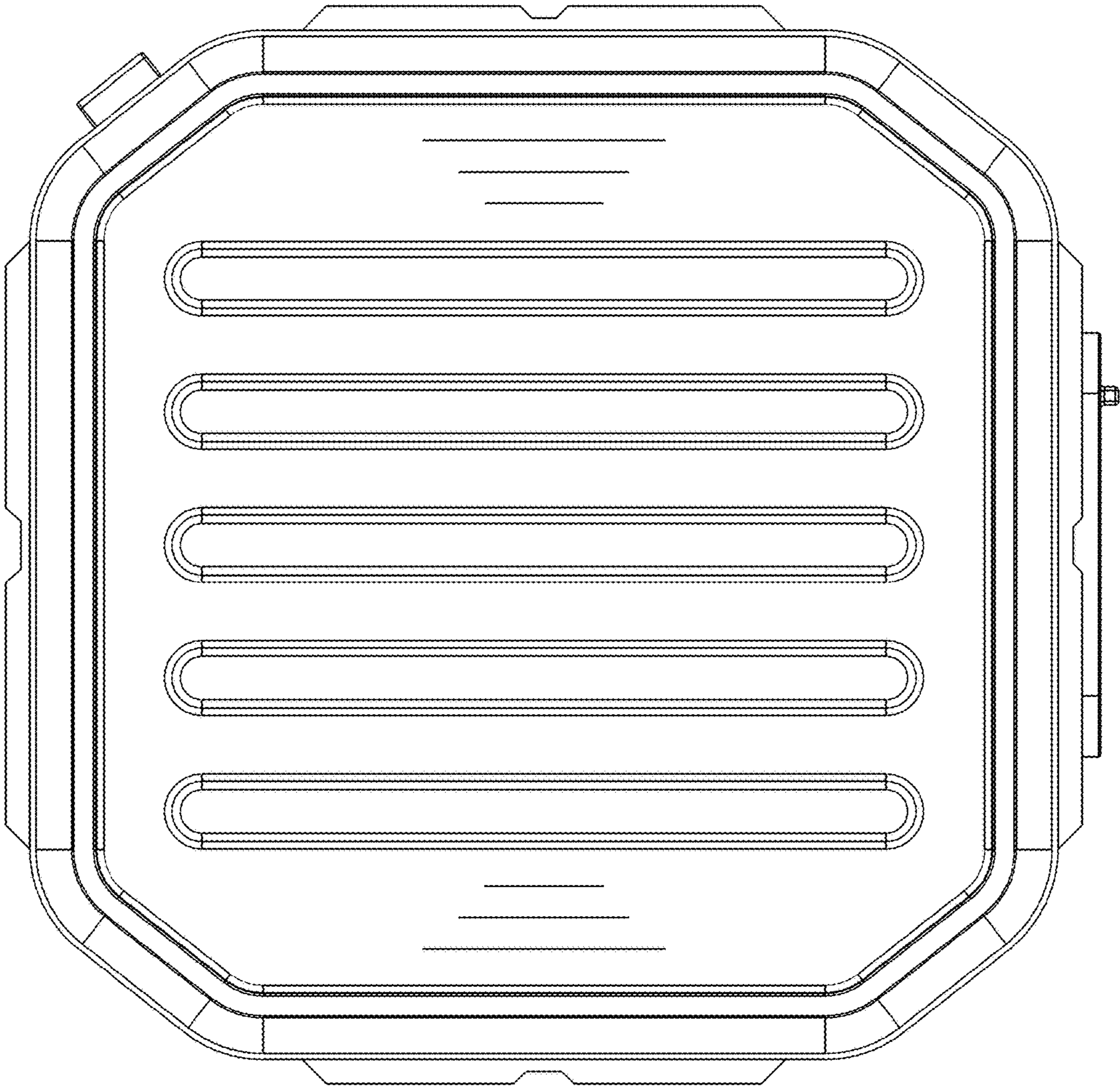


FIG. 2

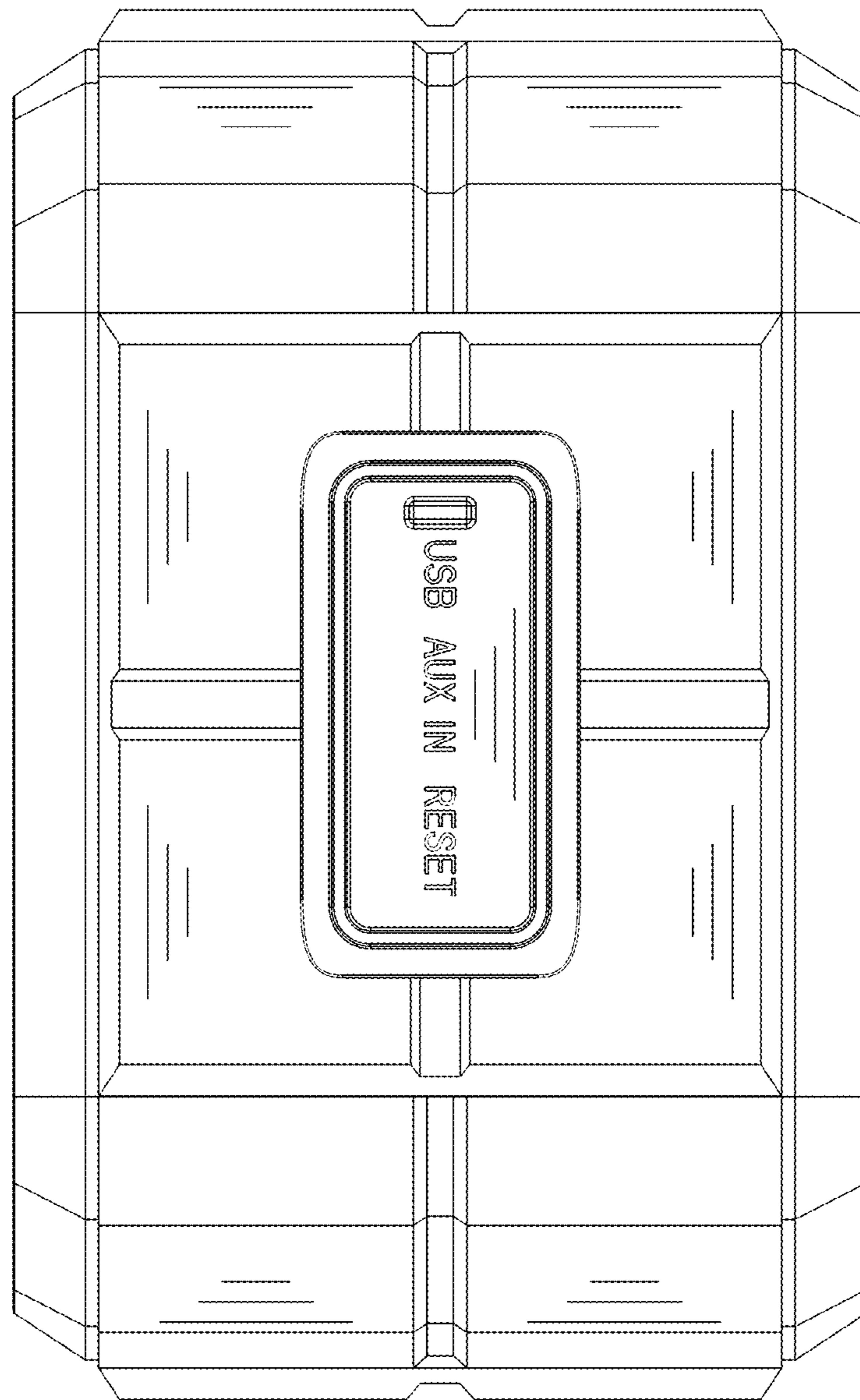


FIG. 3

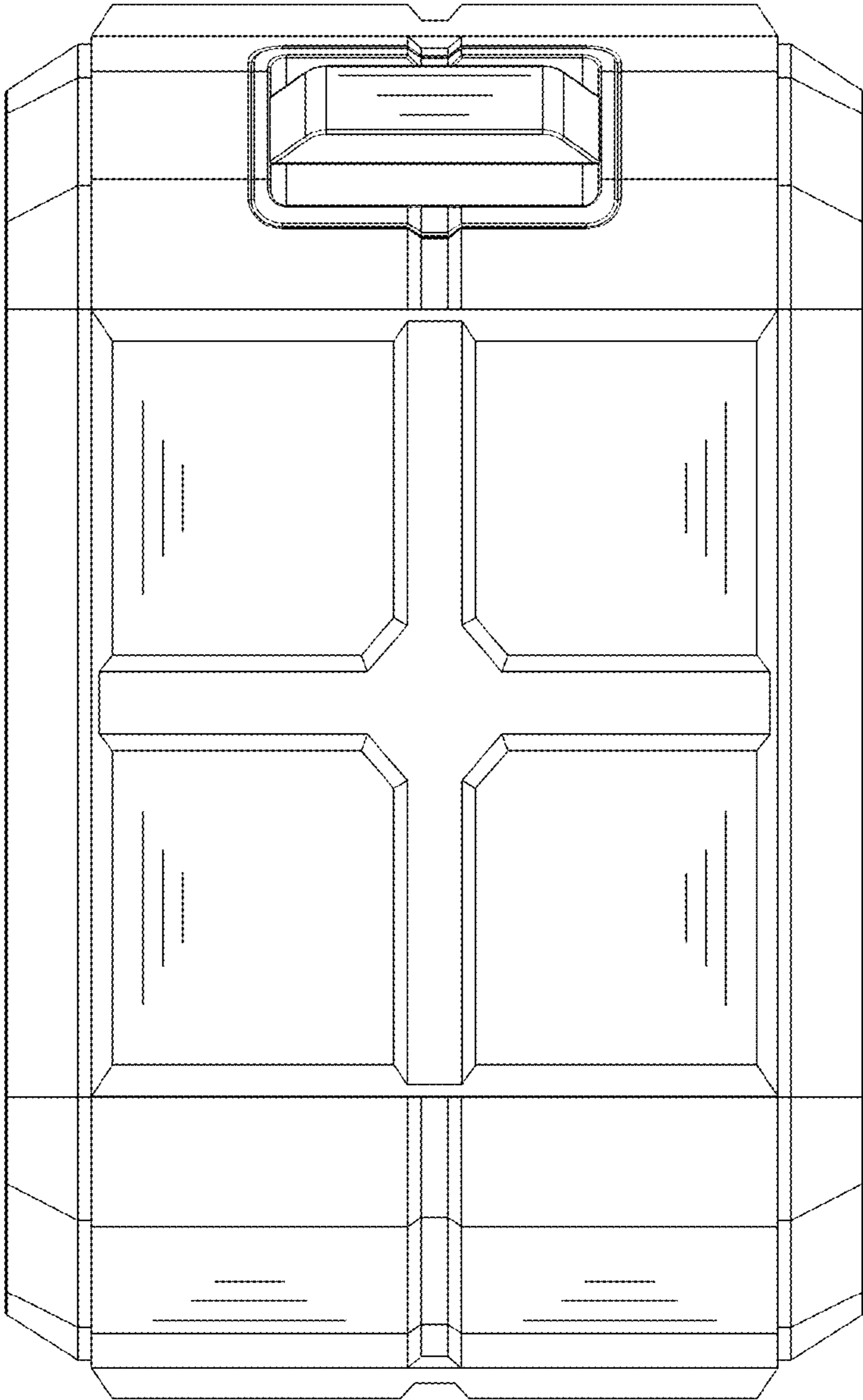


FIG. 4

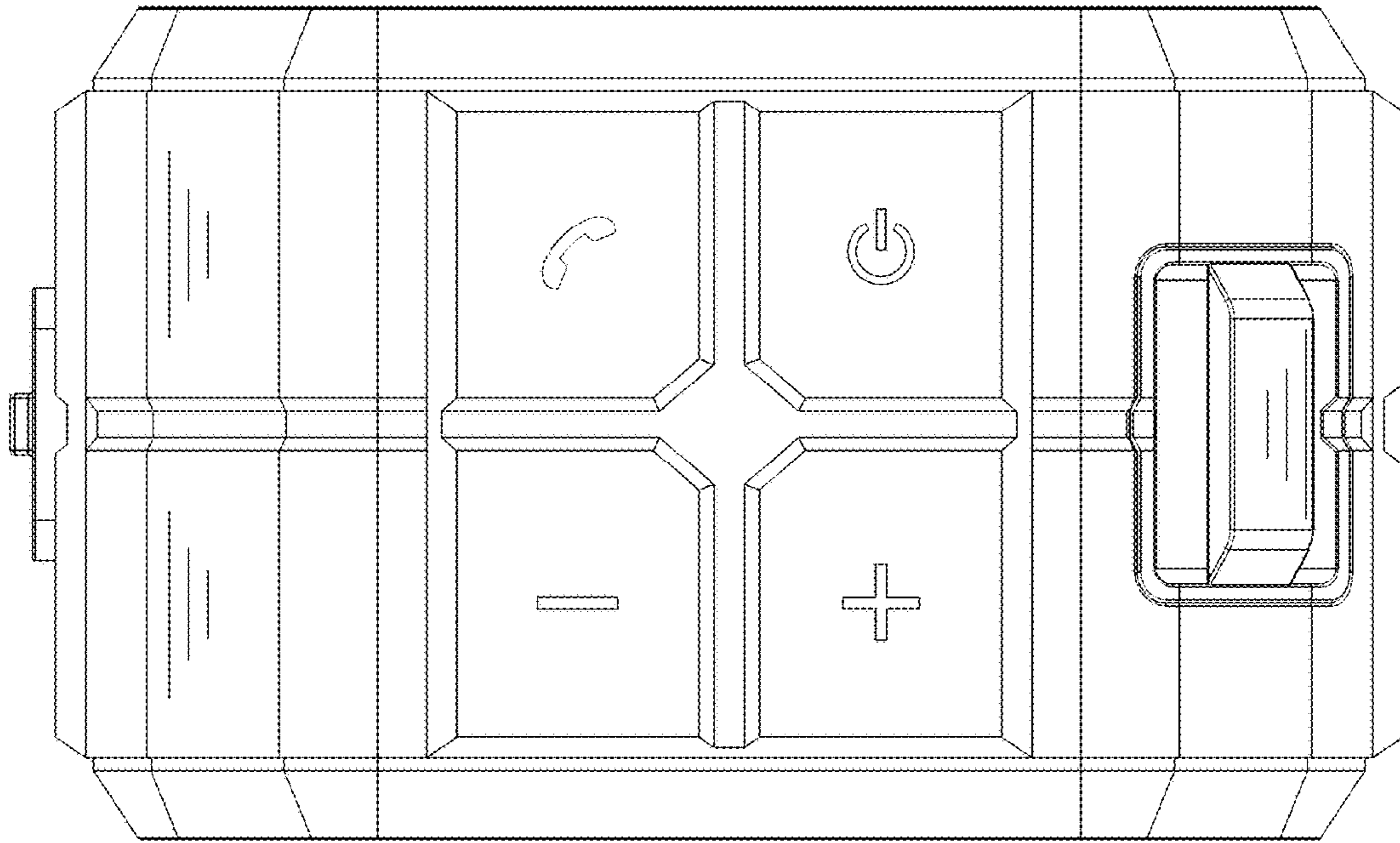


FIG. 5

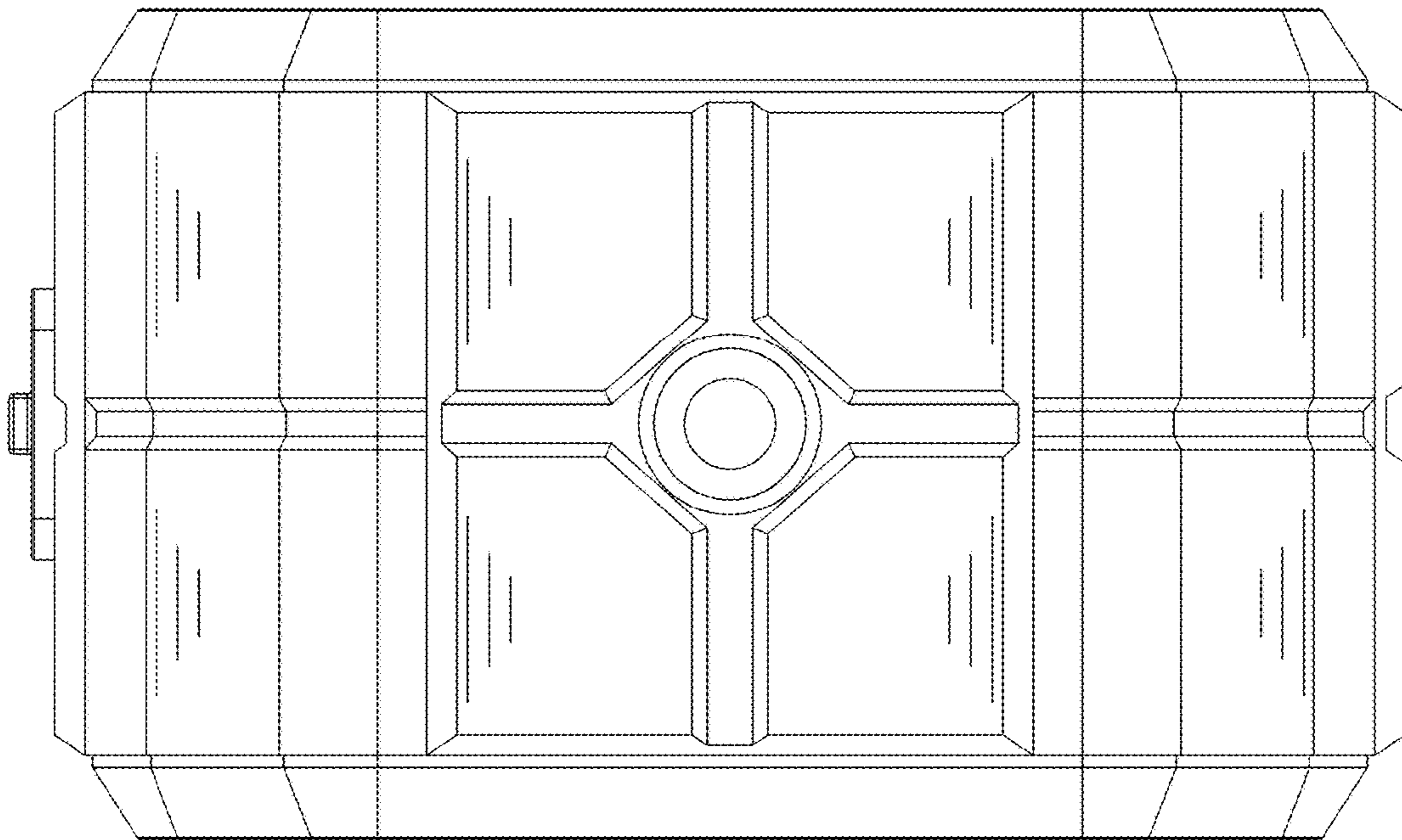


FIG. 6

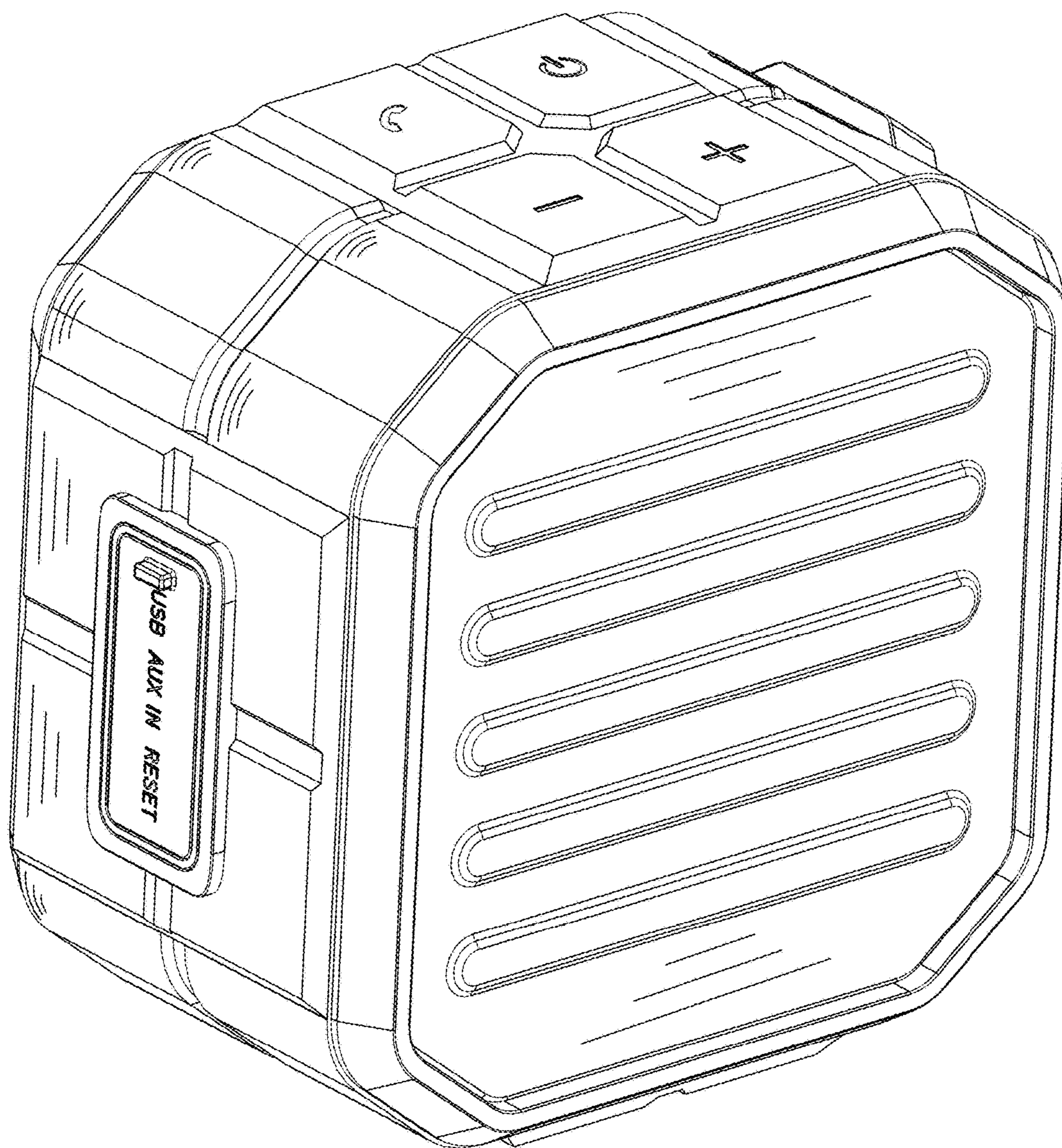


FIG. 7