



US00D813196S

(12) **United States Design Patent**
Yang et al.

(10) **Patent No.:** **US D813,196 S**
(45) **Date of Patent:** **** Mar. 20, 2018**

(54) **EARPHONE**

(71) Applicant: **1MORE INC.**, Nanshan District,
Shenzhen, Guangdong (CN)

(72) Inventors: **Kehua Yang**, Guangdong (CN);
Maohang Lee, Guangdong (CN)

(73) Assignee: **1MORE INC.**, Shenzhen, Guangdong
(CN)

(**) Term: **15 Years**

(21) Appl. No.: **29/591,678**

(22) Filed: **Jan. 23, 2017**

(30) **Foreign Application Priority Data**

Jul. 27, 2016 (CN) 2016 3 0349791

(51) **LOC (11) Cl.** **14-01**

(52) **U.S. Cl.**
USPC **D14/205**

(58) **Field of Classification Search**
USPC D14/223, 205; 181/129, 130, 135;
379/430, 431; 381/380, 381, 374, 322,
381/373, 372, 382, 71.6; 455/90.3, 575.1,
455/569.1

CPC H04R 25/00; H04R 1/10; H04R 1/1016;
H04R 1/1066; H04R 1/1091; H04R 1/02
See application file for complete search history.

(56) **References Cited**

U.S. PATENT DOCUMENTS

5,363,444 A * 11/1994 Norris H04M 1/05
379/430
5,373,555 A * 12/1994 Norris H04M 1/05
379/430
D539,268 S * 3/2007 Suzuki D14/206
D554,627 S * 11/2007 Gondo D14/223

D566,099 S * 4/2008 Komiyama D14/206
D567,217 S * 4/2008 Kamo D14/205
D573,978 S * 7/2008 Ledbetter D14/205
D574,361 S * 8/2008 Sasaki D14/205
D576,154 S * 9/2008 Ledbetter D14/223
D587,681 S * 3/2009 Yanai D14/205
D587,685 S * 3/2009 Densho D14/206
D589,493 S * 3/2009 Densho D14/206
D590,375 S * 4/2009 Komiyama D14/223
D594,441 S * 6/2009 Lee D14/205
D598,894 S * 8/2009 Masuda D14/205
D599,778 S * 9/2009 Ando D14/205
D618,211 S * 6/2010 Oguro D14/205
D626,117 S * 10/2010 Lowry D14/223
D627,764 S * 11/2010 Tsai D14/223
D628,564 S * 12/2010 Chong D14/223
D629,395 S * 12/2010 Lee D14/223
D639,282 S * 6/2011 Otori D14/223
D642,163 S * 7/2011 Lee D14/223
D643,416 S * 8/2011 Chong D14/223
D660,290 S * 5/2012 Weedon D14/223

(Continued)

Primary Examiner — Paula Allen Greene

(74) *Attorney, Agent, or Firm* — Ladas & Parry LLP

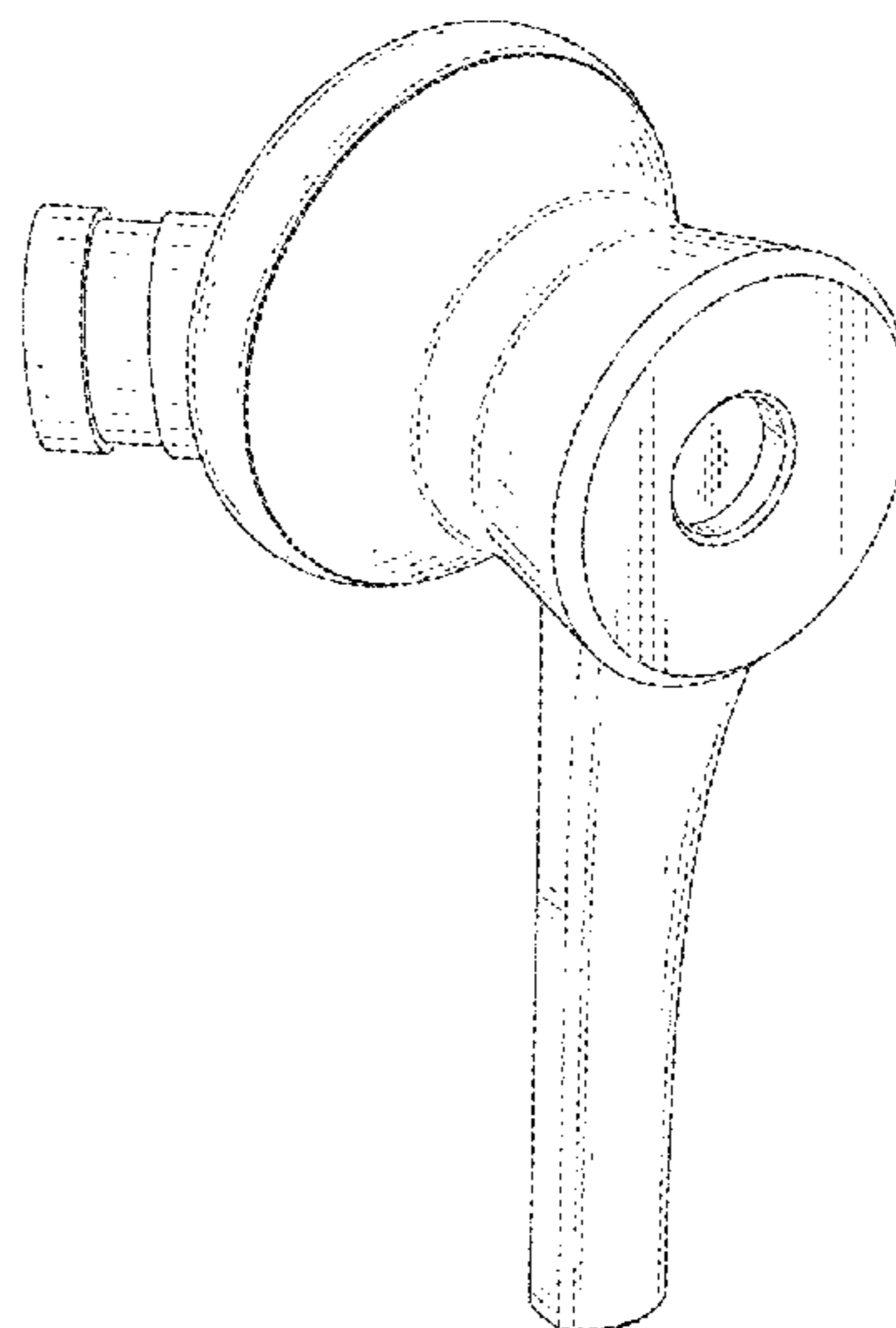
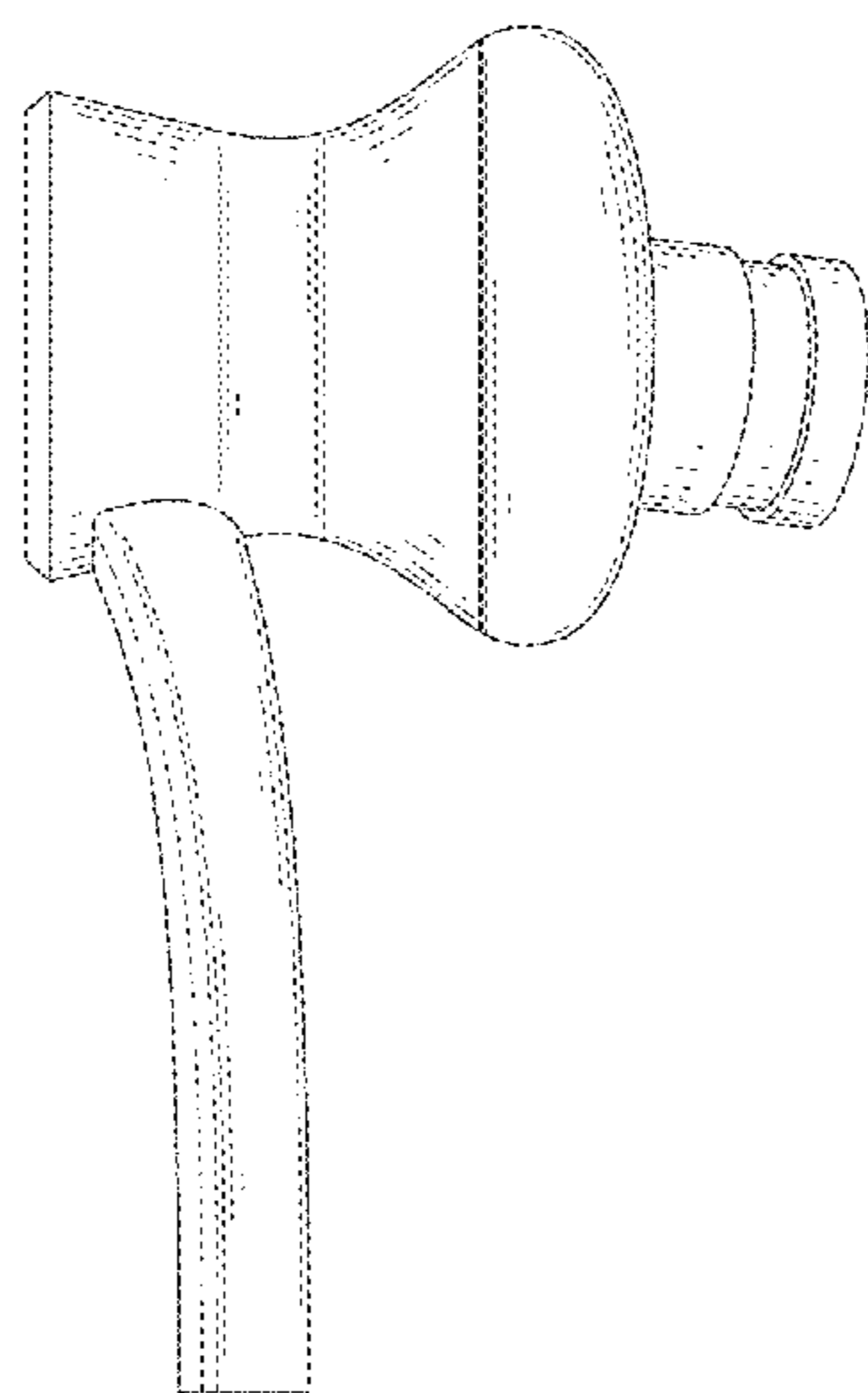
(57) **CLAIM**

The ornamental design for an earphone, as shown and described.

DESCRIPTION

FIG. 1 is a front elevational view of an earphone showing our new design;
FIG. 2 is a rear elevational view thereof;
FIG. 3 is a left side elevational view thereof;
FIG. 4 is a right side elevational view thereof;
FIG. 5 is a top plan view thereof;
FIG. 6 is a bottom plan view thereof;
FIG. 7 is a perspective view thereof; and,
FIG. 8 is another perspective view thereof.
The broken lines form no part of the claimed design.

1 Claim, 8 Drawing Sheets



(56)

References Cited

U.S. PATENT DOCUMENTS

| | | | | | |
|--------------|------|---------|--------------|-------|-------------------------|
| 8,265,322 | B2 * | 9/2012 | Uchida | | H04R 1/1075 381/370 |
| 8,265,323 | B2 * | 9/2012 | Stiehl | | B29C 45/0025 381/371 |
| 8,422,717 | B2 * | 4/2013 | Lin | | H04R 1/1091 181/129 |
| D695,724 | S * | 12/2013 | Ishikura | | D14/223 |
| 8,712,087 | B2 * | 4/2014 | Ozawa | | H04R 1/345 181/130 |
| D735,699 | S * | 8/2015 | Yasuda | | D14/223 |
| D746,792 | S * | 1/2016 | Kim | | D14/205 |
| D760,189 | S * | 6/2016 | Loh Jun Kern | | D14/205 |
| D775,108 | S * | 12/2016 | Hsieh | | D14/223 |
| D778,268 | S * | 2/2017 | Hsieh | | D14/223 |
| D780,155 | S * | 2/2017 | Levine | | D14/205 |
| D784,962 | S * | 4/2017 | Yang | | D14/223 |
| D803,185 | S * | 11/2017 | Loh Jun Kern | | D14/205 |
| 2007/0189570 | A1 * | 8/2007 | Matsuo | | H04R 1/1016 381/382 |
| 2011/0317864 | A1 * | 12/2011 | Kaneko | | H04R 1/1066 381/380 |
| 2012/0057738 | A1 * | 3/2012 | Lin | | H04R 1/1091 381/370 |
| 2013/0170692 | A1 * | 7/2013 | Kaneko | | H04R 1/1016 381/380 |

* cited by examiner

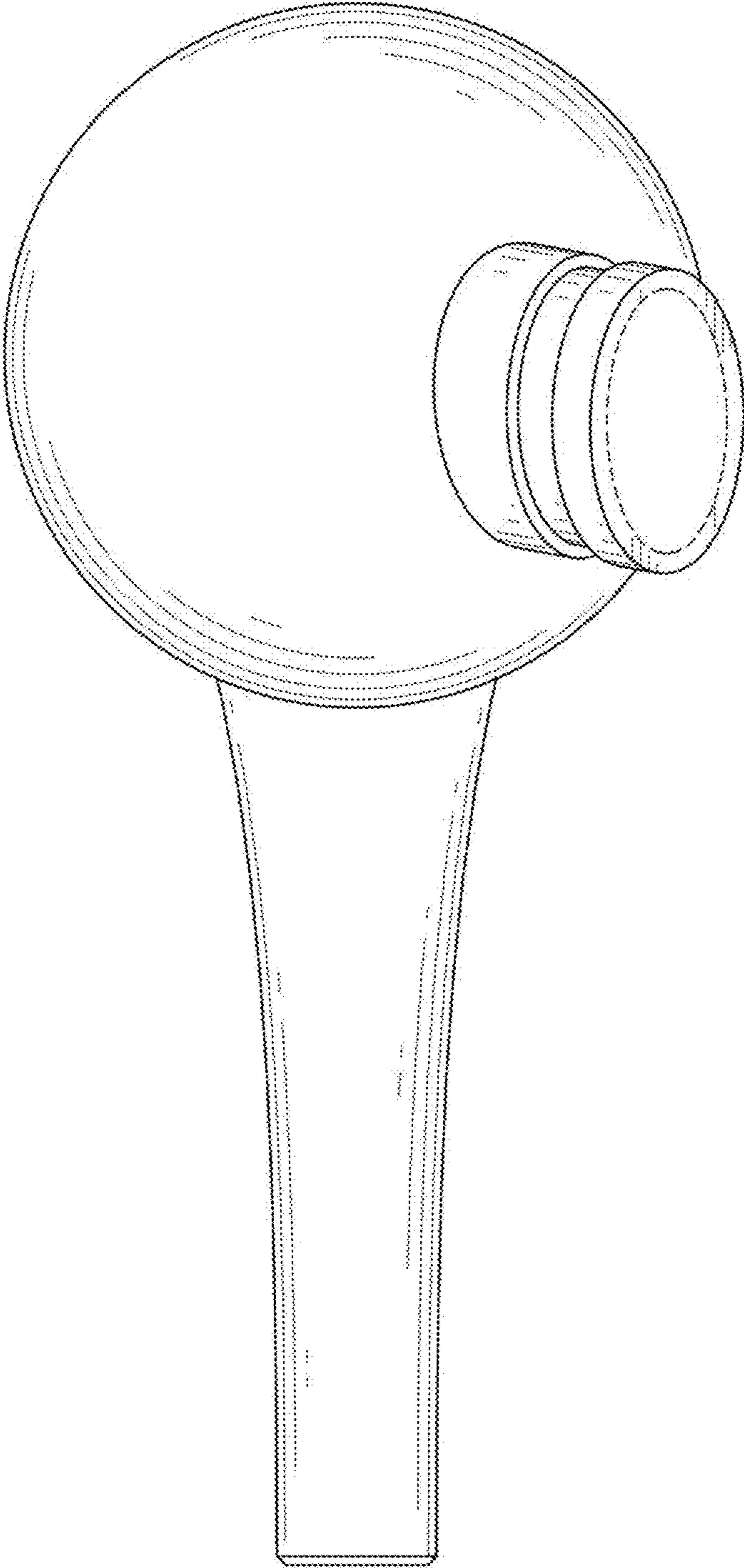


FIG. 1

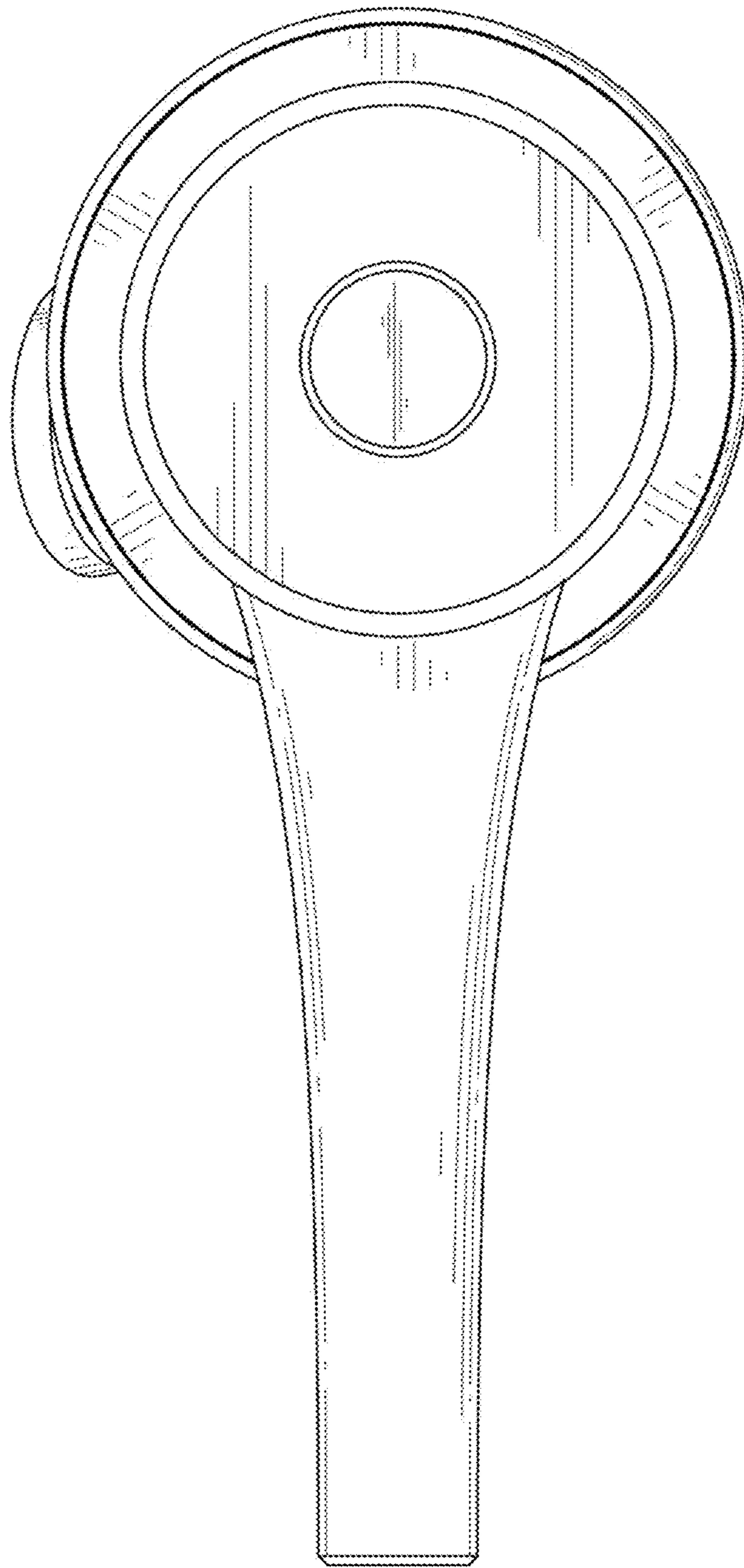


FIG. 2

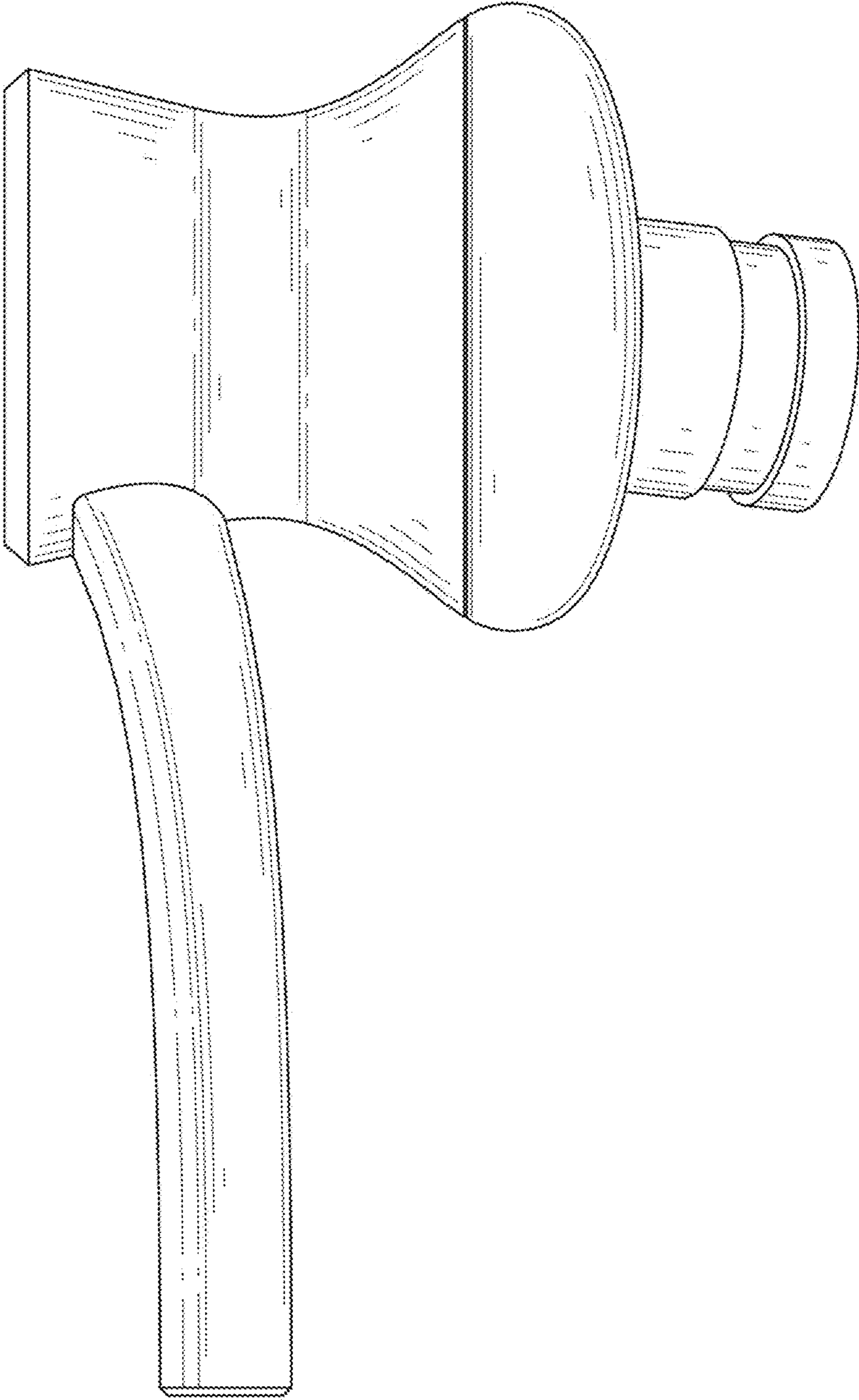


FIG. 3

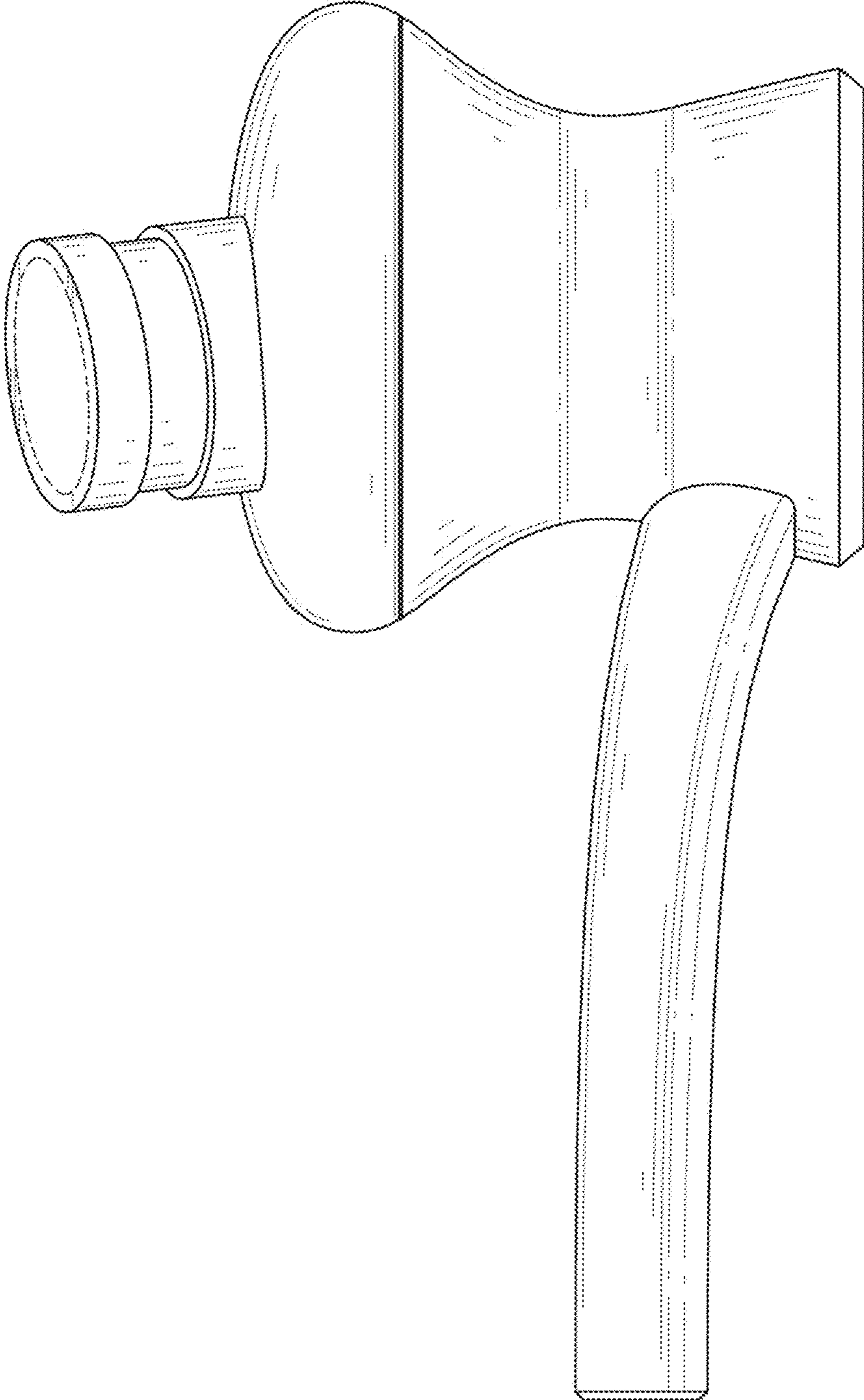


FIG. 4

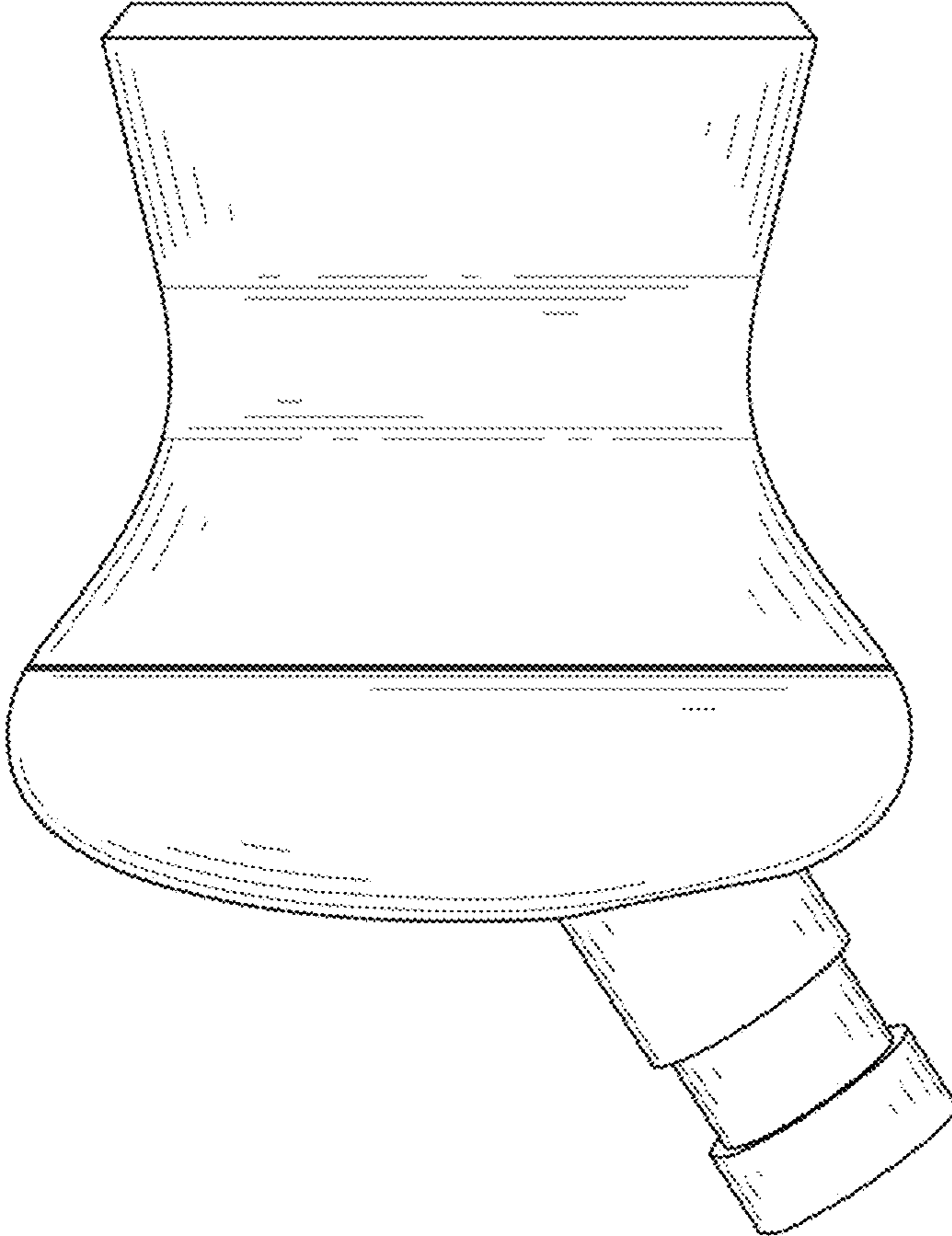


FIG. 5

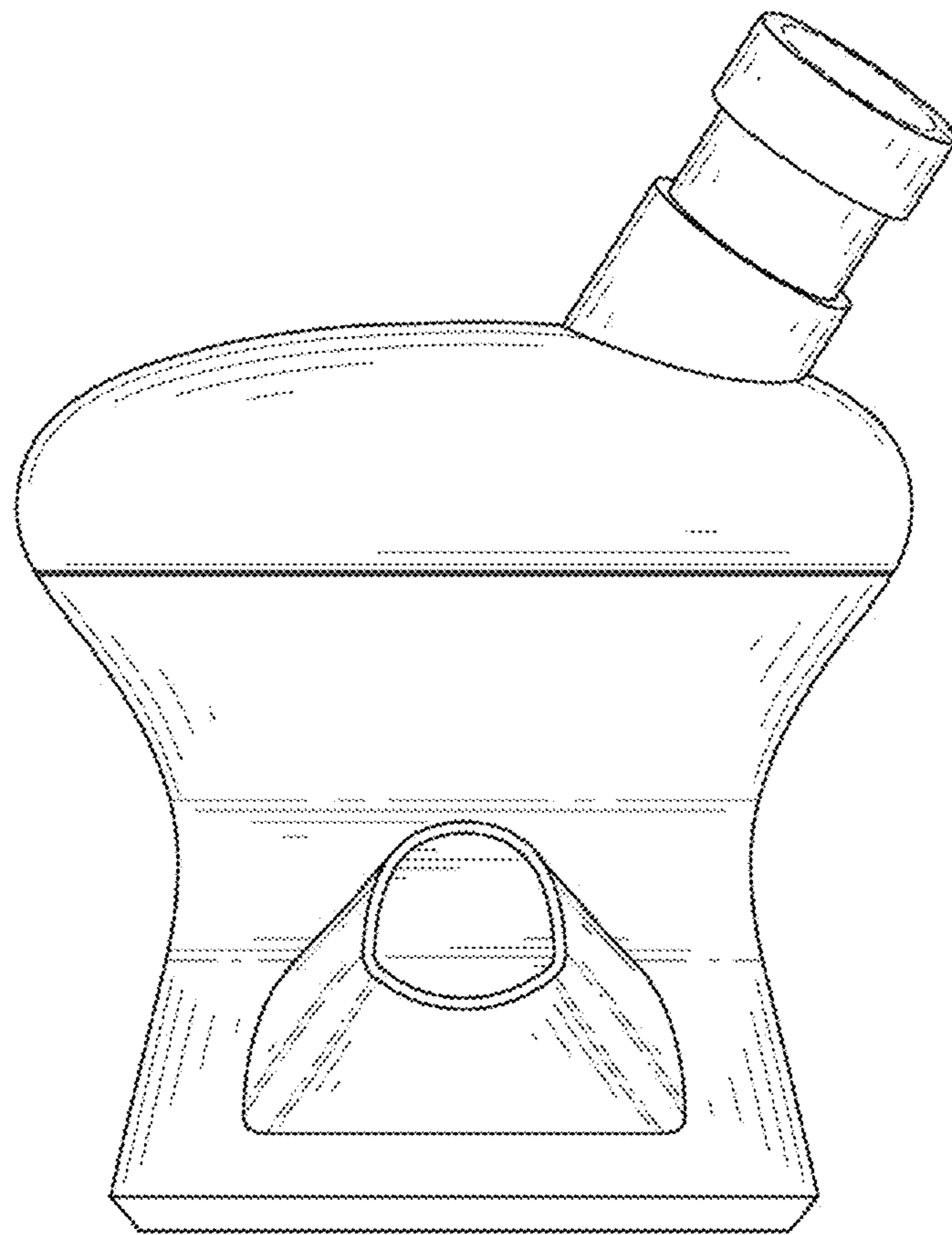


FIG. 6

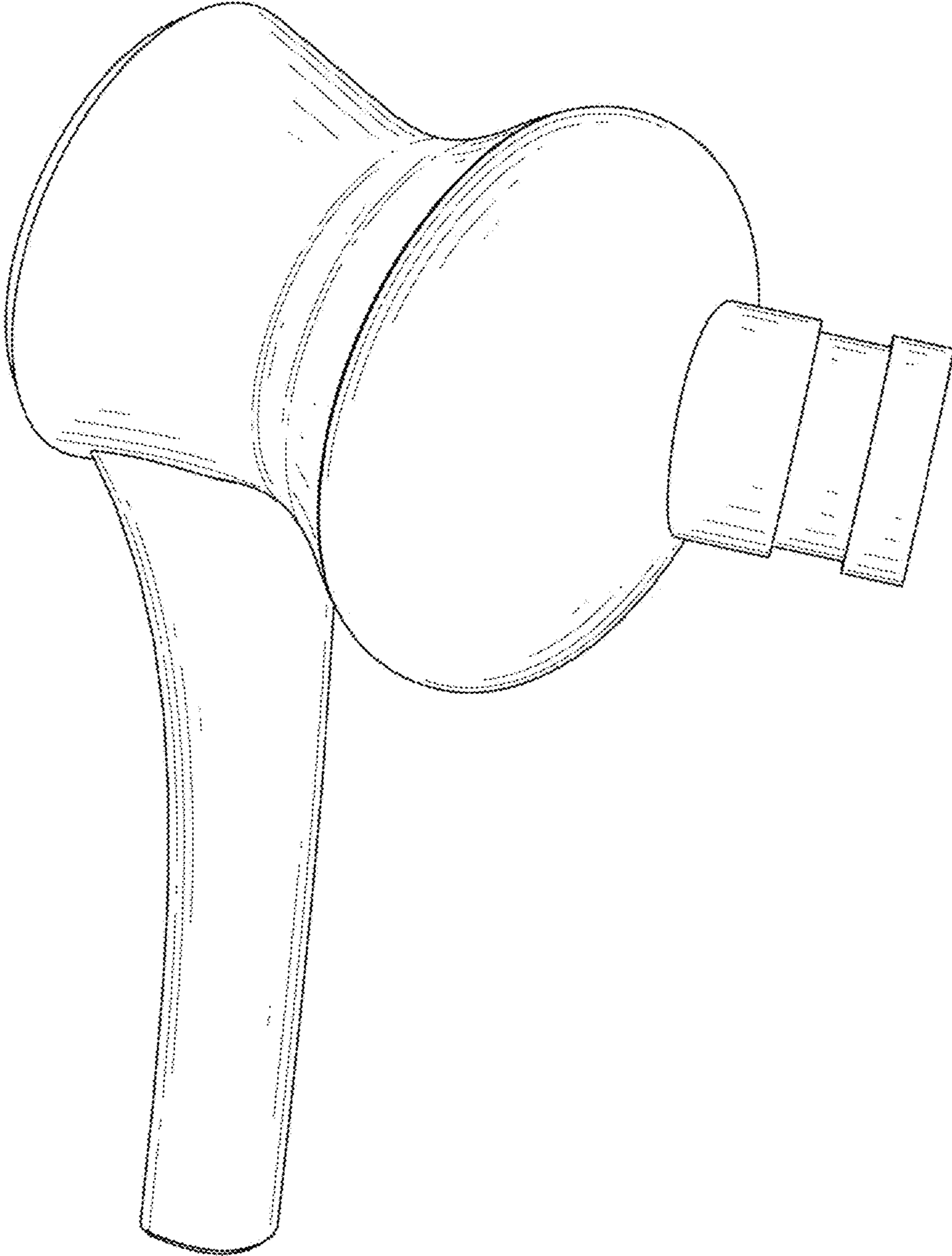


FIG. 7

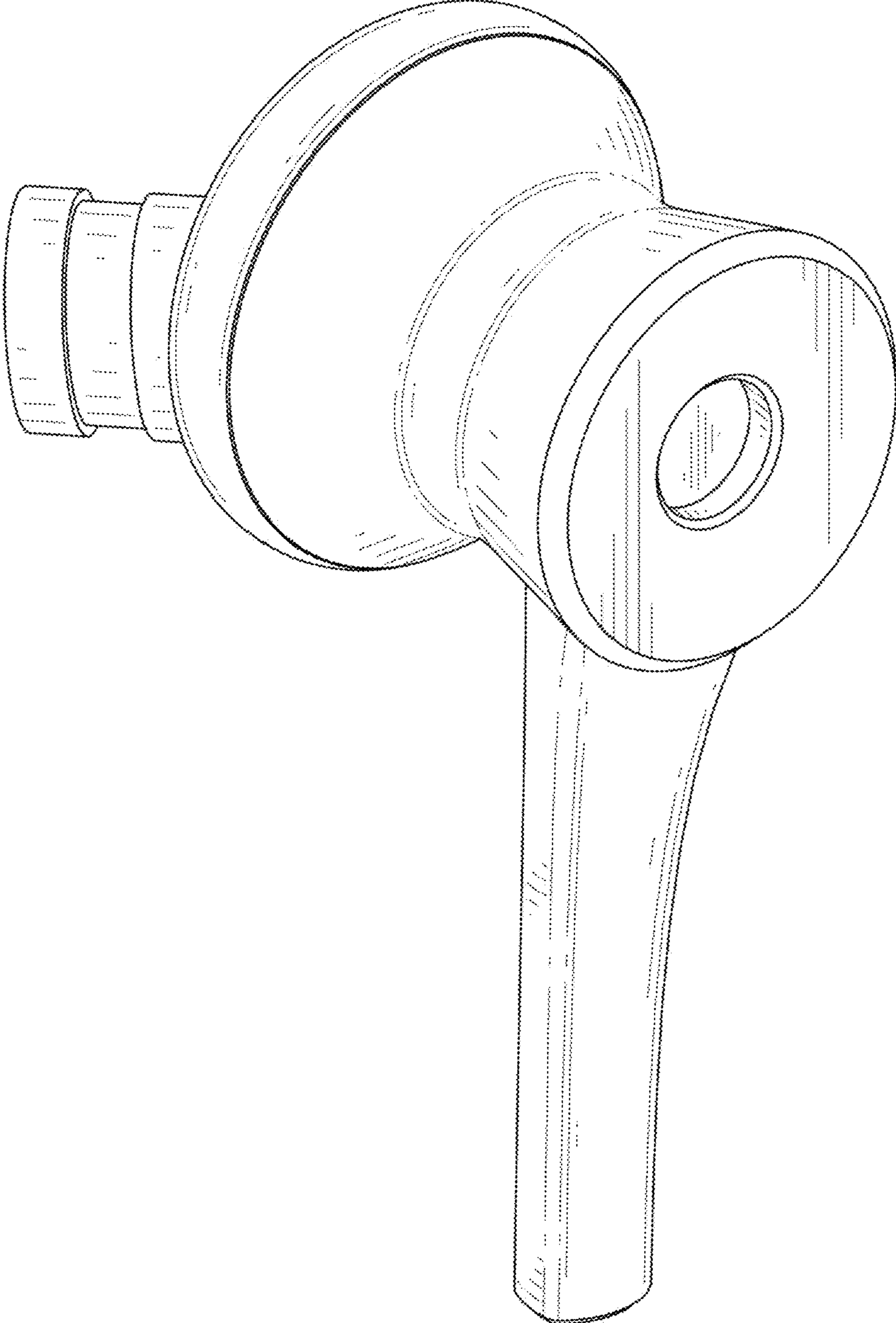


FIG. 8