



US00D813195S

(12) **United States Design Patent**
Huang

(10) **Patent No.:** **US D813,195 S**
(45) **Date of Patent:** **** Mar. 20, 2018**

(54) **HEADPHONE**

(71) Applicant: **Yue Huang**, Chongqing (CN)

(72) Inventor: **Yue Huang**, Chongqing (CN)

(**) Term: **15 Years**

(21) Appl. No.: **29/589,175**

(22) Filed: **Dec. 29, 2016**

(30) **Foreign Application Priority Data**

Sep. 18, 2016 (CN) 2016 3 0472850

(51) **LOC (11) Cl.** **14-01**

(52) **U.S. Cl.**
USPC **D14/205**; D14/207

(58) **Field of Classification Search**
USPC D14/205, 207; D29/112; D2/866, 868,
D2/869, 872; 2/209, 171, 173, 200.1,
2/172; 181/129, 130, 135; 379/430, 431;
381/380, 381, 374, 375; 455/90.3, 575.1,
455/569.1; 446/189; D21/617, 618, 660
CPC H04R 1/1066; H04R 1/1016; H04R 5/033;
H04R 5/0335; H04R 25/00; H04R 25/02;
H04R 1/02

See application file for complete search history.

(56) **References Cited**

U.S. PATENT DOCUMENTS

- 1,554,149 A * 9/1925 Wager A45D 27/10
424/43
- D155,702 S * 10/1949 Ganine D21/617
- D166,603 S * 4/1952 Hartman D7/302
- D180,052 S * 4/1957 Young D2/869
- 2,947,091 A * 8/1960 McCrary A61F 5/44
116/67 R
- D348,349 S * 7/1994 Blackwell D2/872
- D380,023 S * 6/1997 Sisler D21/617
- D382,562 S * 8/1997 Leifer D14/207

- D383,136 S * 9/1997 Leifer D14/205
- D386,182 S * 11/1997 Leifer D14/172
- D390,588 S * 2/1998 Wang D16/310
- D394,340 S * 5/1998 Kennard D2/869
- D400,554 S * 11/1998 Wang D16/306
- D430,386 S * 9/2000 Necatera D2/869
- D431,550 S * 10/2000 Yoneda D14/205
- D455,801 S * 4/2002 Chang D21/617
- D458,759 S * 6/2002 Landauer D21/659
- D482,393 S * 11/2003 Hui D19/116
- D512,708 S * 12/2005 Harris, Jr. D14/205
- D514,087 S * 1/2006 Wilson D14/206
- D530,308 S * 10/2006 Topping D14/207
- D538,261 S * 3/2007 Taylor D14/205
- 7,388,960 B2 * 6/2008 Kuo H04R 1/1041
379/430
- D573,581 S * 7/2008 Gondo D14/205
- D585,871 S * 2/2009 Lee D14/205
- D589,682 S * 4/2009 Knab D2/869

(Continued)

Primary Examiner — Paula Allen Greene

(74) *Attorney, Agent, or Firm* — Law Offices of Steven W. Weinrieb

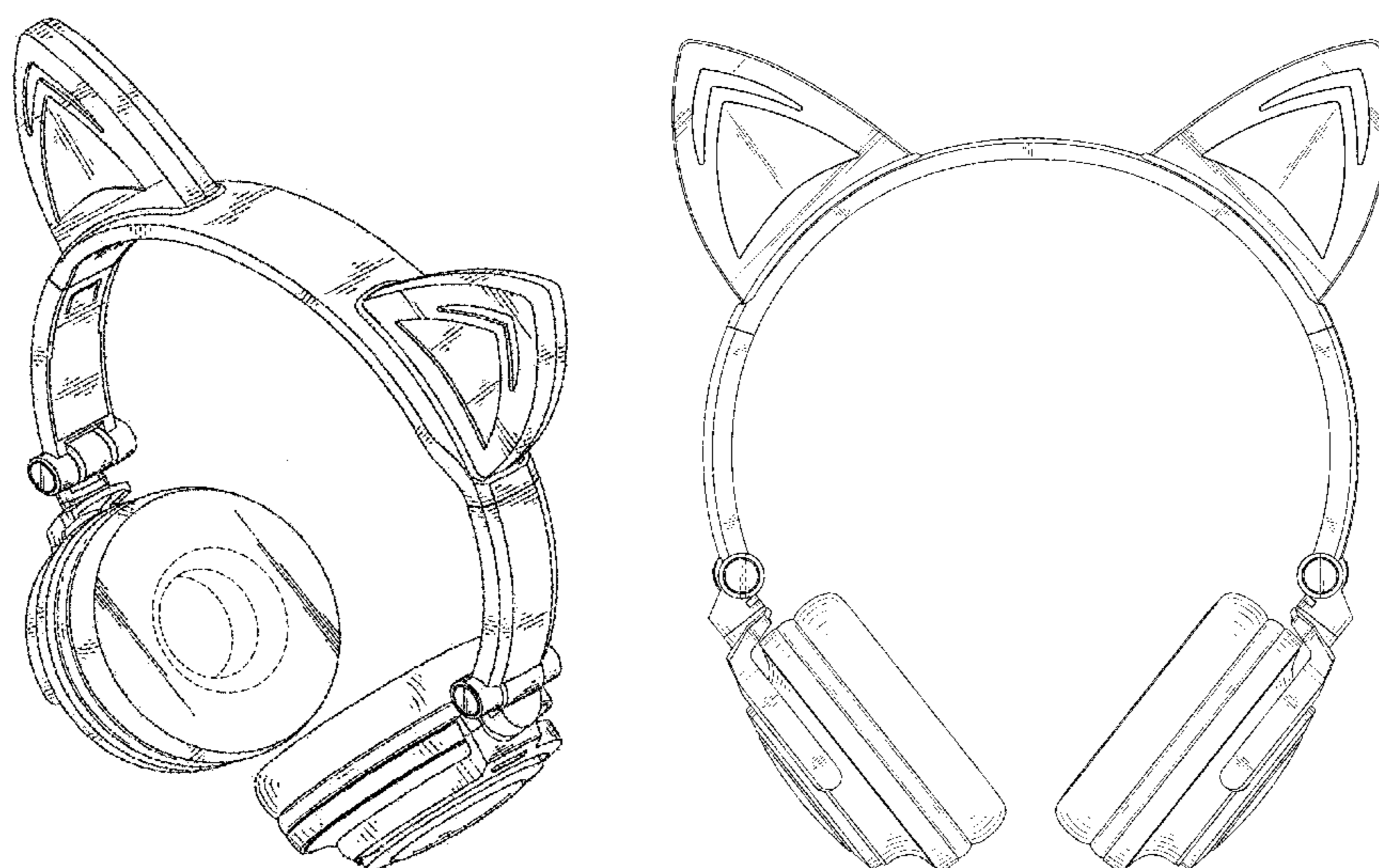
(57) **CLAIM**

The ornamental design for a headphone, as shown and described.

DESCRIPTION

FIG. 1 is a first perspective view of a headphone showing my new design;
 FIG. 2 is a second perspective view thereof;
 FIG. 3 is a front elevational view thereof;
 FIG. 4 is a rear elevational view thereof;
 FIG. 5 is a left side view thereof;
 FIG. 6 is a right side view thereof;
 FIG. 7 is a top plan view thereof; and,
 FIG. 8 is a bottom plan view thereof.
 The broken lines in the drawings illustrate portions of the headphone which form no part of the claimed design.

1 Claim, 8 Drawing Sheets



(56)

References Cited

U.S. PATENT DOCUMENTS

D589,684 S * 4/2009 Knab D2/869
D665,775 S * 8/2012 Katsumata D14/205
D685,283 S * 7/2013 Katoh D11/1
D711,347 S * 8/2014 Gan H04R 1/1066
D14/205
D719,136 S * 12/2014 Schaal D14/205
D757,679 S * 5/2016 Yan D14/205
D758,508 S * 6/2016 Chuang D21/617
D795,837 S * 8/2017 Cai D14/205
D800,691 S * 10/2017 Ando D14/205

* cited by examiner

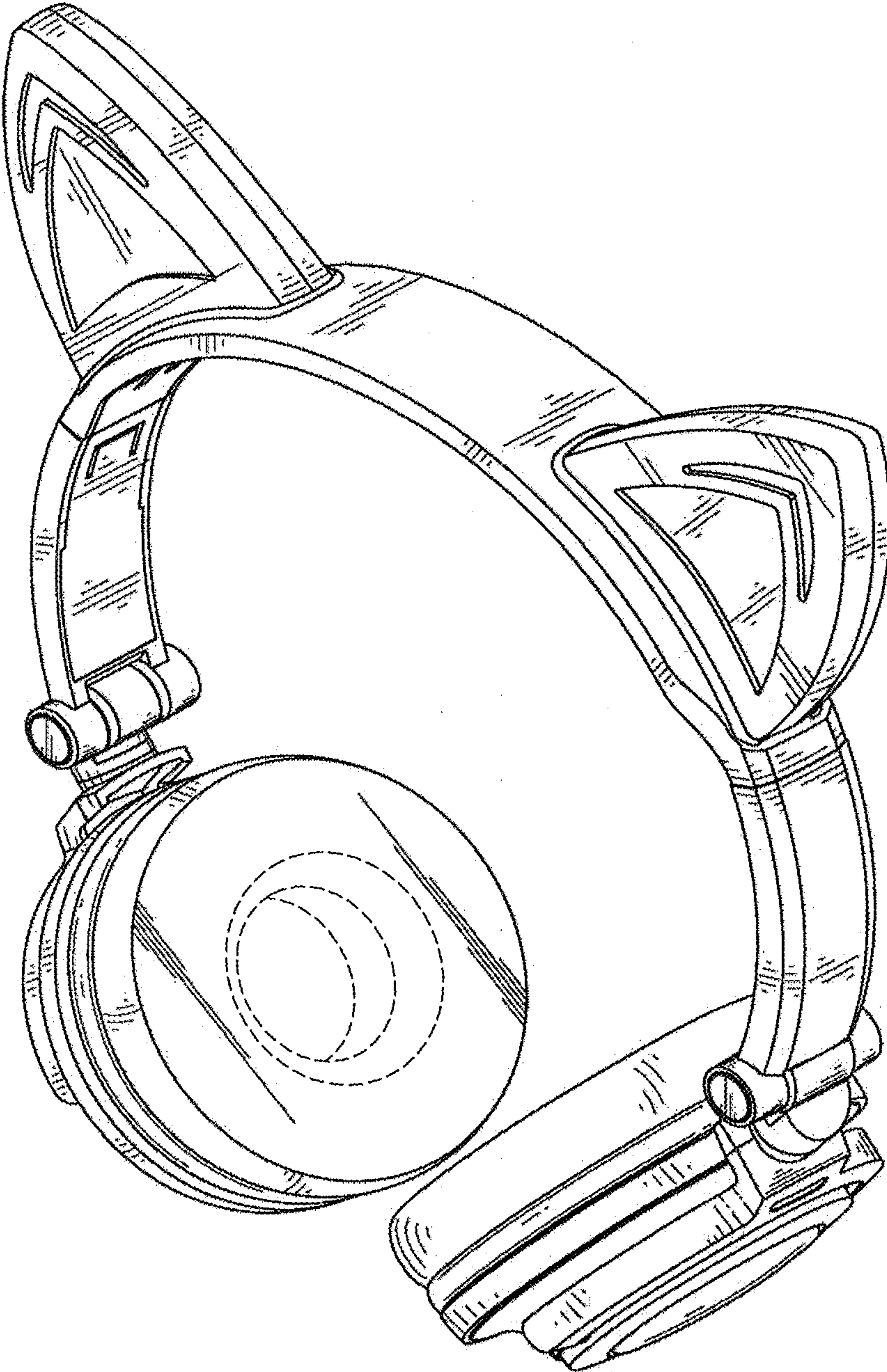


FIG. 1

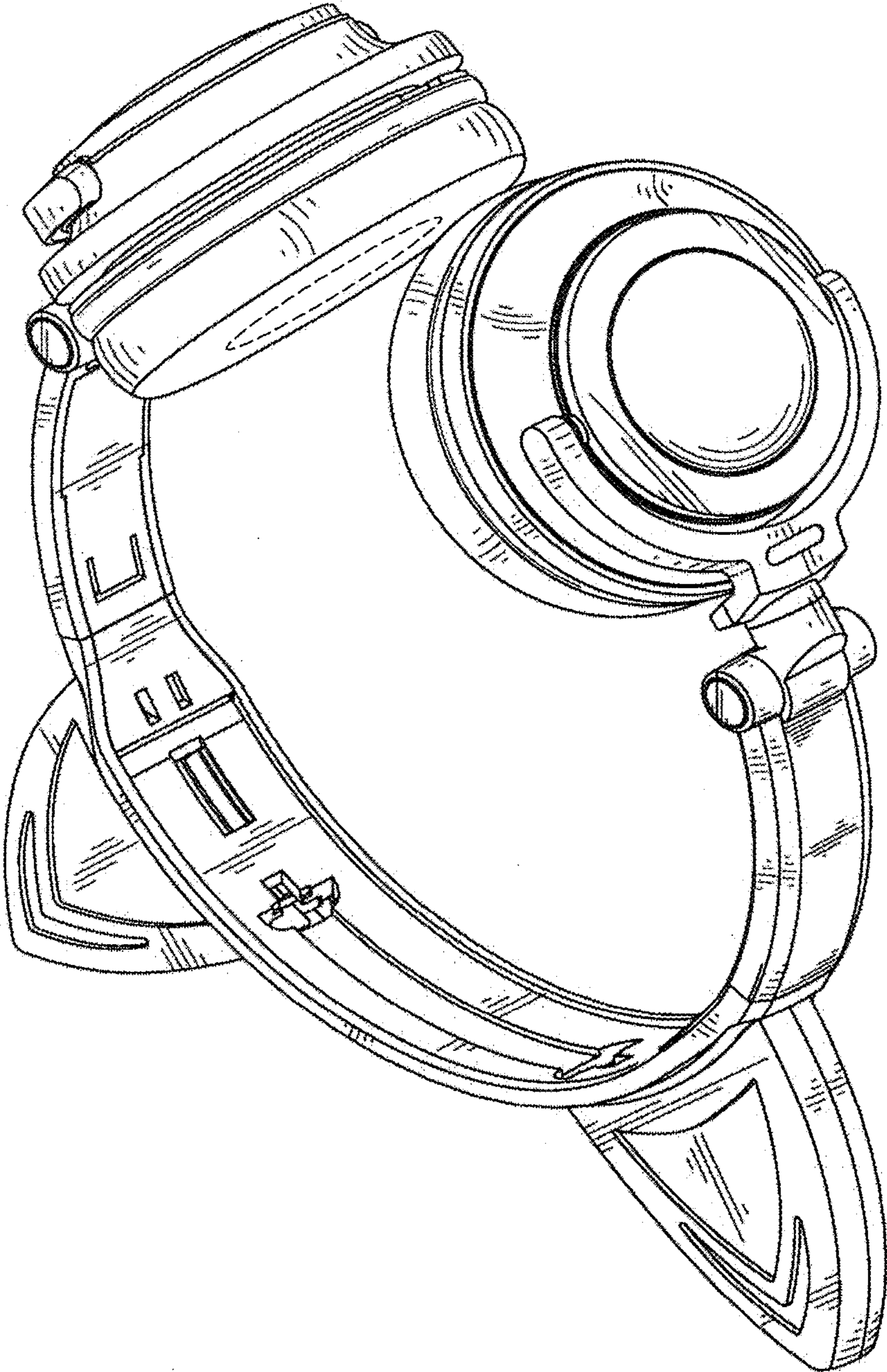


FIG. 2



FIG. 3

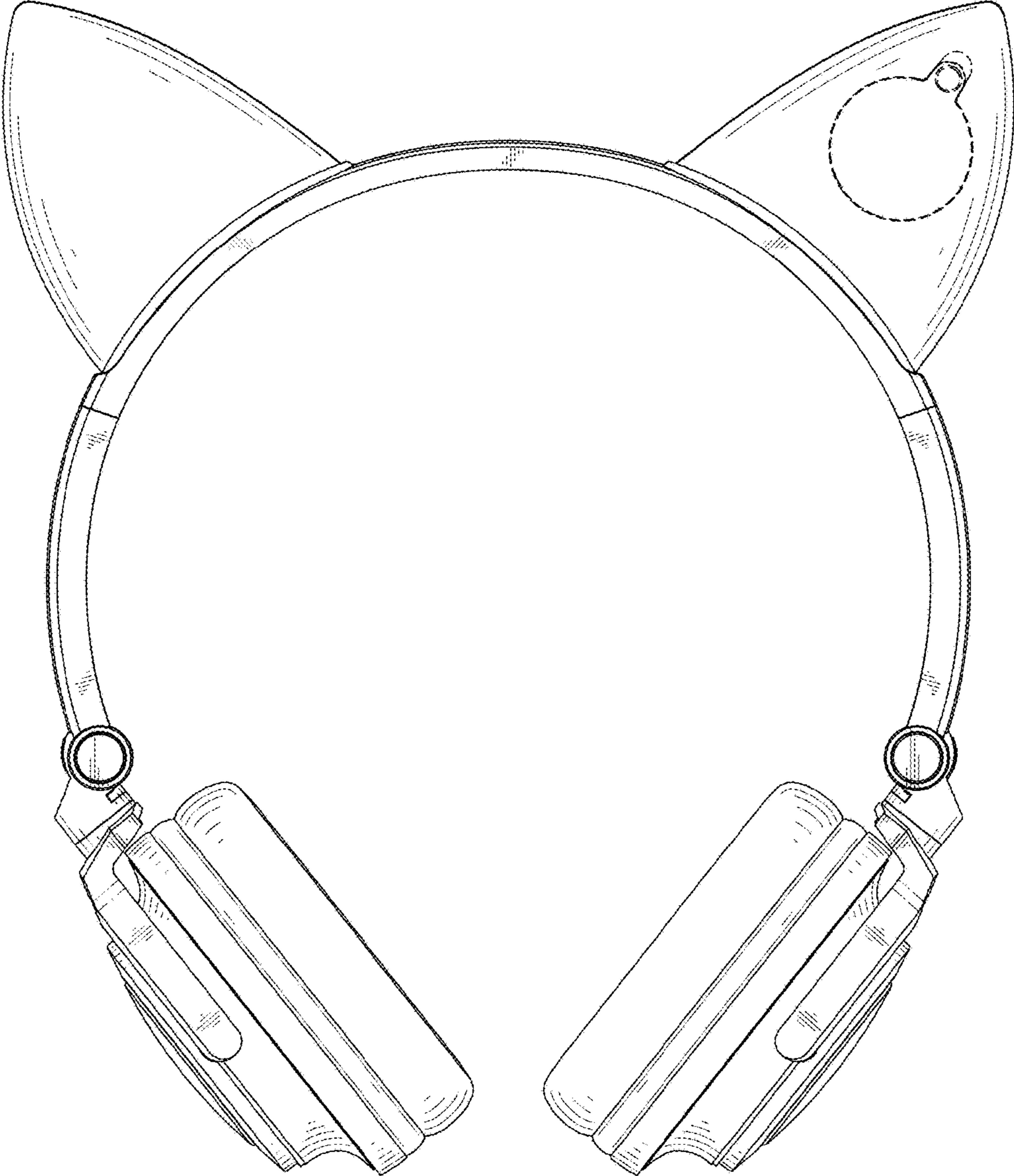


FIG. 4

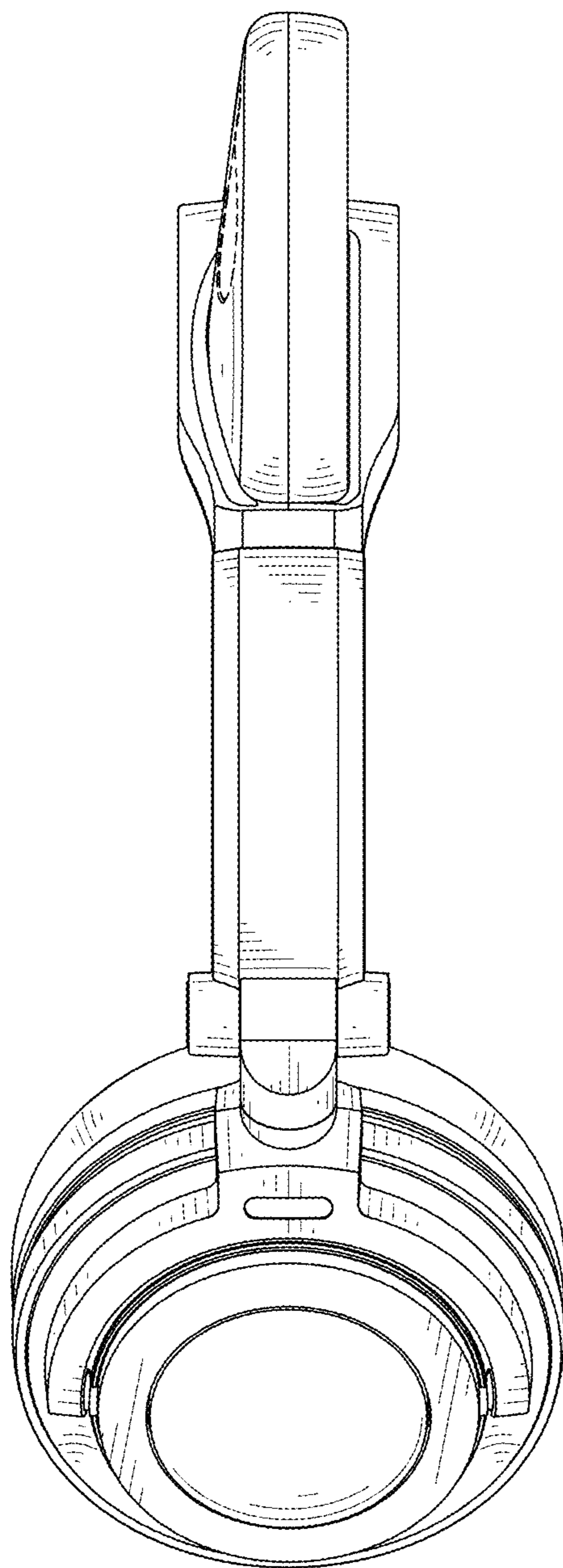


FIG. 5

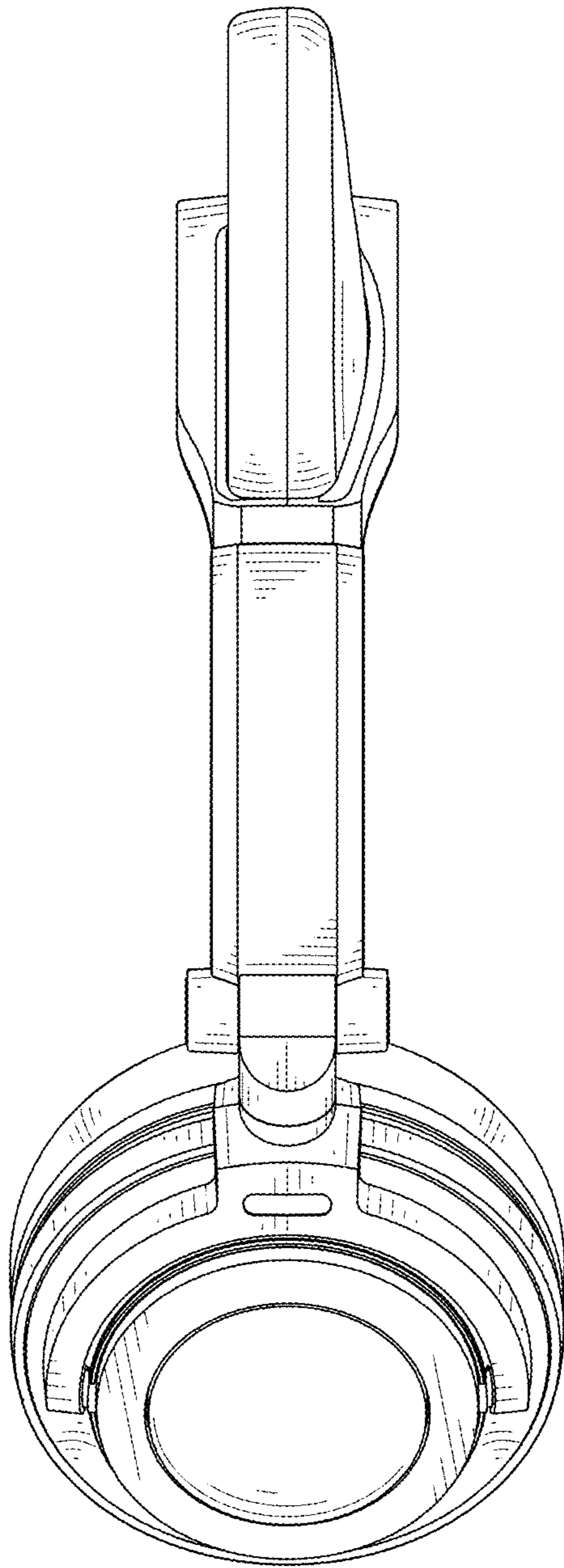


FIG. 6

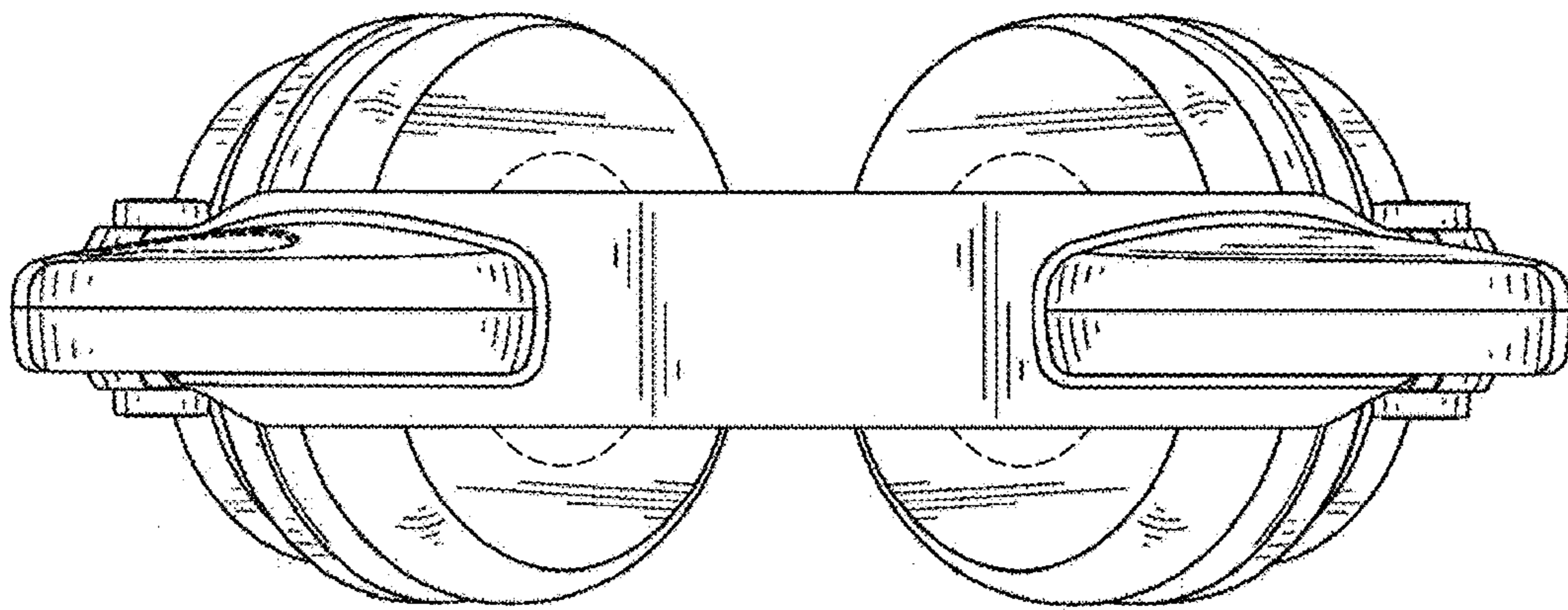


FIG. 7

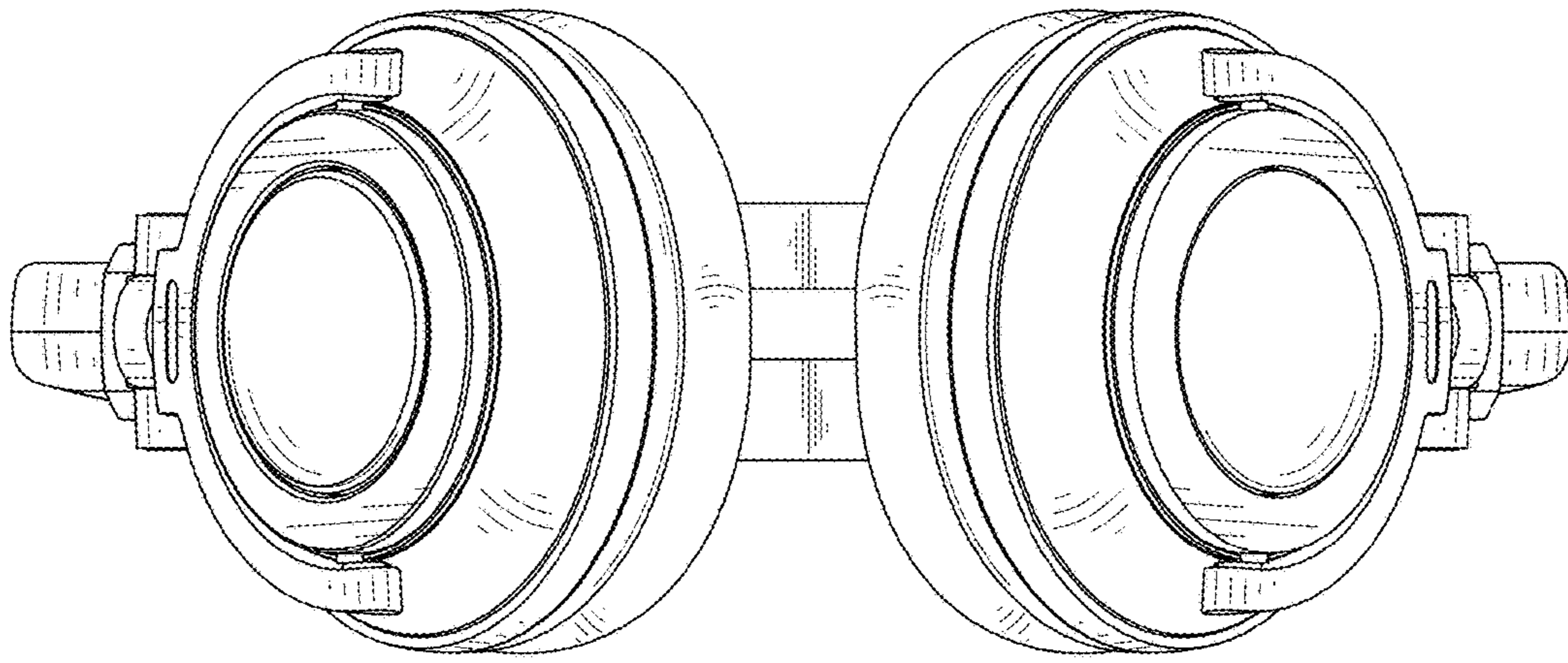


FIG. 8