



US00D813192S

(12) **United States Design Patent**
Zeng

(10) **Patent No.:** **US D813,192 S**
(45) **Date of Patent:** **** Mar. 20, 2018**

- (54) **BLUETOOTH SPEAKER**
- (71) Applicant: **Shenzhen KZY Electronics Co., Ltd.**,
Shenzhen, Guangdong (CN)
- (72) Inventor: **Xiangping Zeng**, Guangdong (CN)
- (73) Assignee: **Shenzhen KZY Electronics Co., Ltd.**,
Shenzhen (CN)

D367,058	S	*	2/1996	Isonaga	D14/163
D397,635	S	*	9/1998	Chu	D10/120
D428,405	S	*	7/2000	Obata	D14/167
D515,956	S	*	2/2006	Li	D10/106.1
D519,504	S	*	4/2006	Tagliabue	D14/356
D639,688	S	*	6/2011	Neufeglise	D10/116.1
D740,258	S	*	10/2015	Yu	D14/216
2014/0193017	A1	*	7/2014	Fortin	H04R 1/021 381/334

* cited by examiner

(**) Term: **15 Years**

Primary Examiner — Derrick E Holland
Assistant Examiner — Janice Julia Patyk

(21) Appl. No.: **29/583,868**

(22) Filed: **Nov. 9, 2016**

(51) **LOC (11) Cl.** **14-01**

(52) **U.S. Cl.**
USPC **D14/204**

(58) **Field of Classification Search**
 USPC D14/167, 168, 170–172, 188, 204, 209.1,
 D14/210–216, 219, 221, 222, 224;
 181/144, 148, 153, 157, 198; 369/6–12;
 381/301–303, 306, 332, 334, 336, 345,
 381/361–363, 386–388
 CPC G06F 1/1688; H04R 1/02; H04R 1/025;
 H04R 1/026; H04R 1/323; H04R 1/403;
 H04R 1/2803; H04R 1/2834; H04R 5/02;
 H04R 9/06; H04R 2201/021; H04R
 2400/00; H04R 2400/07; H04R 2499/11
 See application file for complete search history.

(56) **References Cited**

U.S. PATENT DOCUMENTS

D195,964	S	*	8/1963	Spilman	D14/225
D334,935	S	*	4/1993	Goto	D14/204

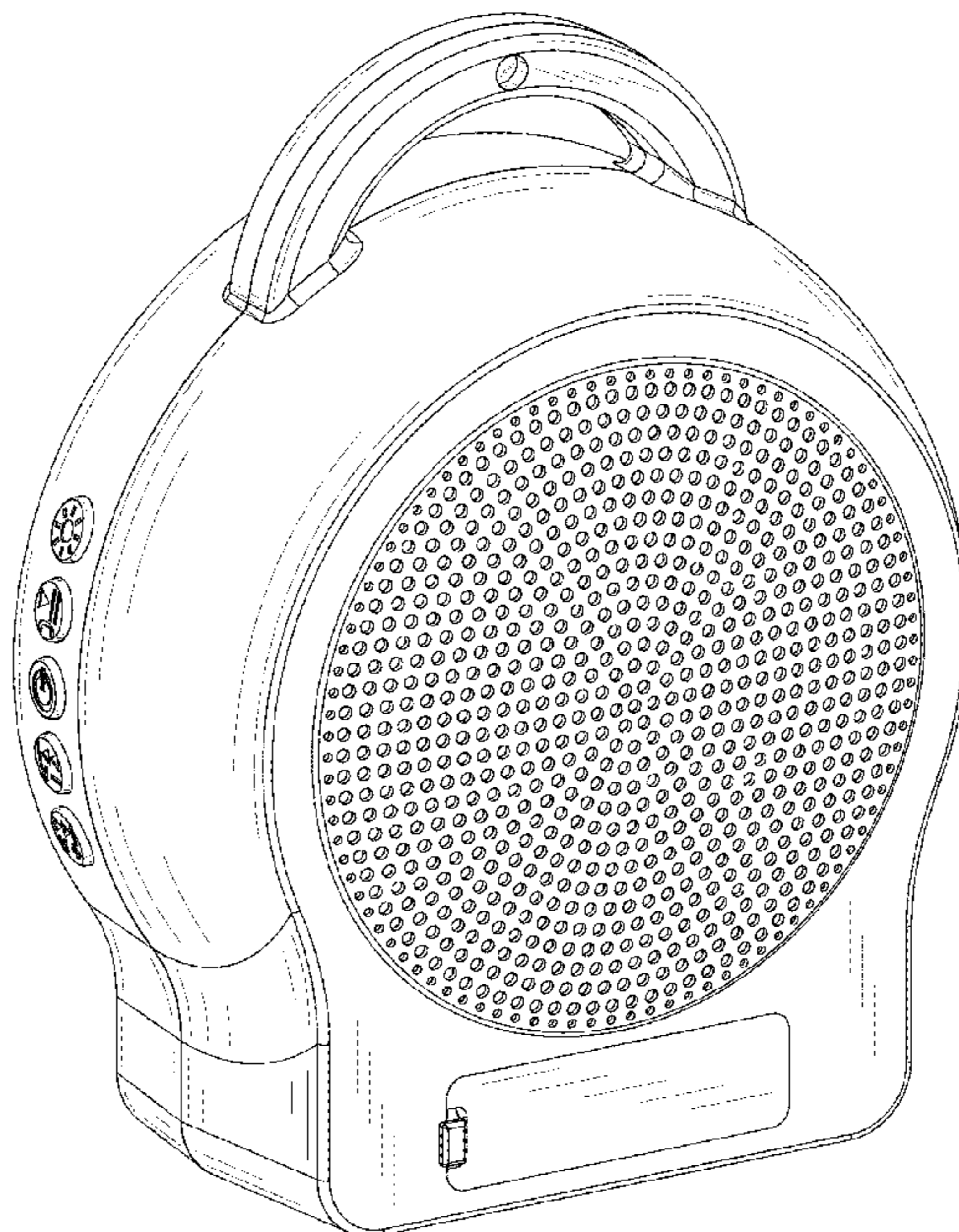
(57) **CLAIM**

The ornamental design for a bluetooth speaker, as shown and described.

DESCRIPTION

FIG. 1 is a front view of a bluetooth speaker, showing my new design;
 FIG. 2 is a back view thereof;
 FIG. 3 is a left side view thereof;
 FIG. 4 is a right side view thereof;
 FIG. 5 is a top view thereof;
 FIG. 6 is a bottom view thereof;
 FIG. 7 is a top perspective view thereof; and,
 FIG. 8 is a bottom perspective view thereof.

1 Claim, 7 Drawing Sheets



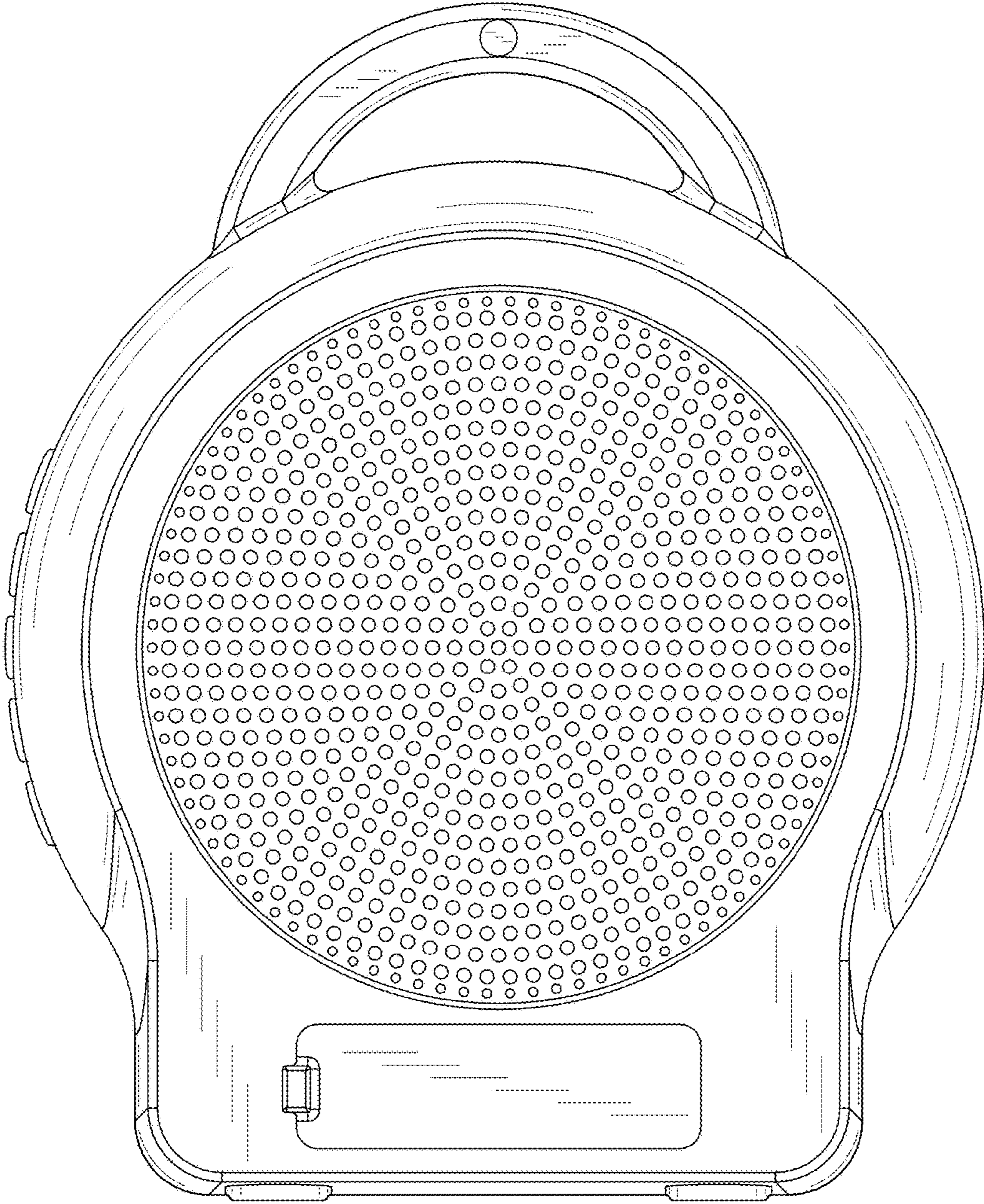


FIG.1

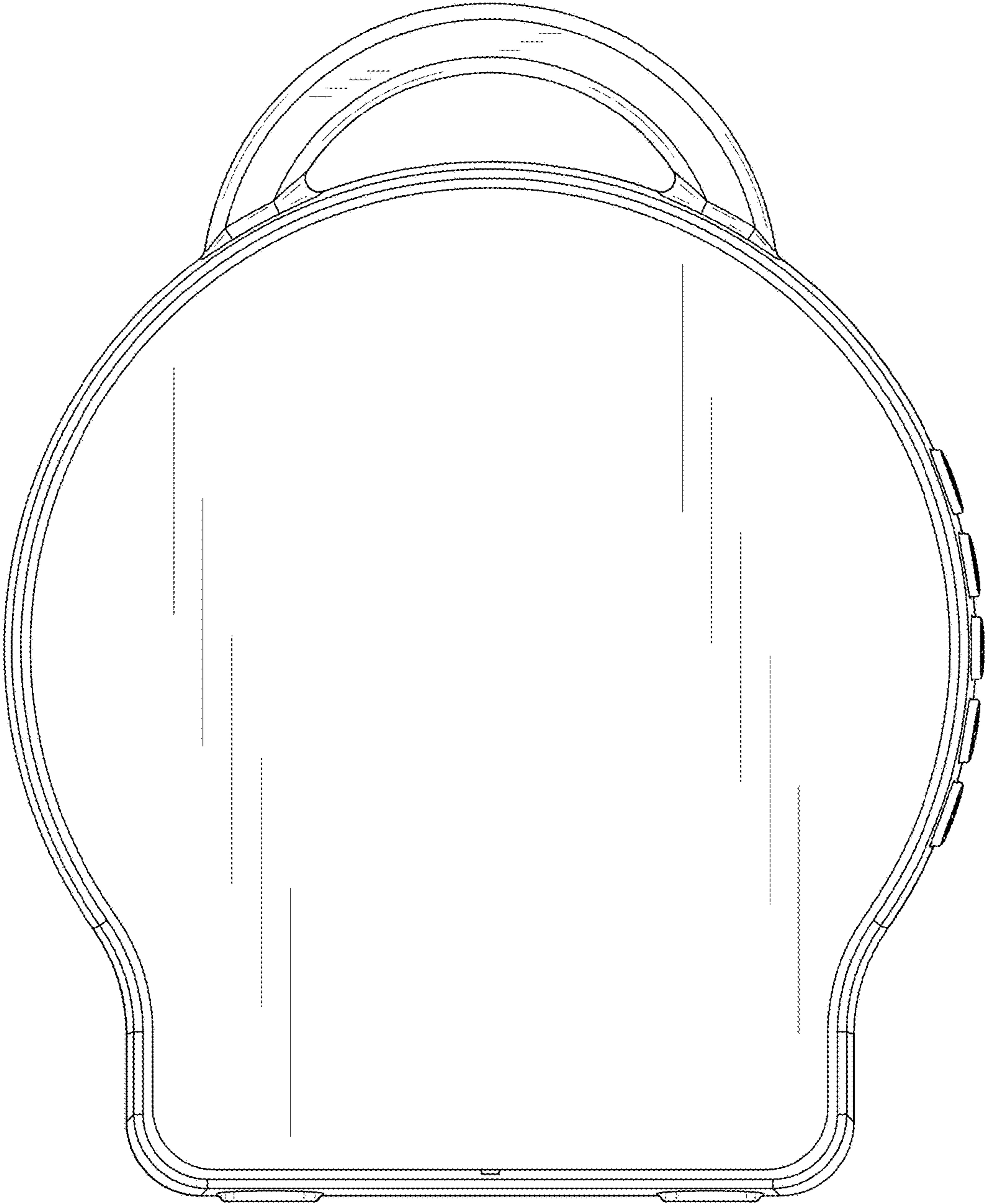


FIG.2

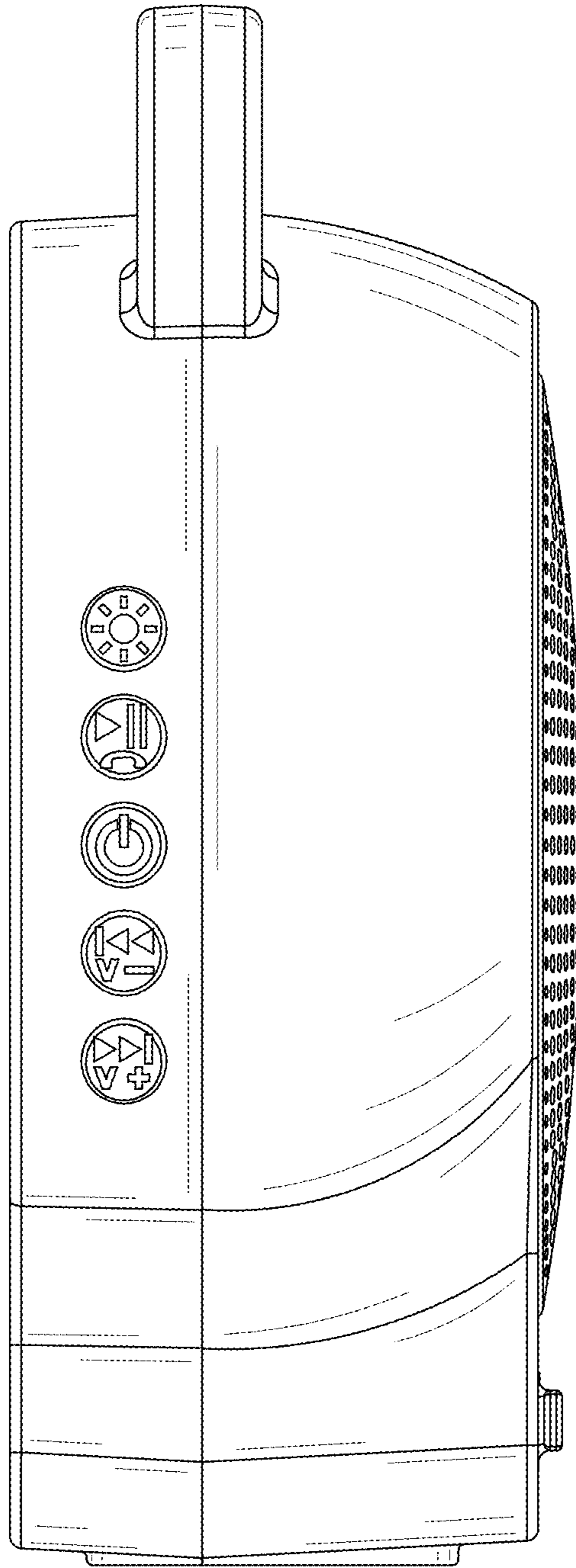


FIG.3

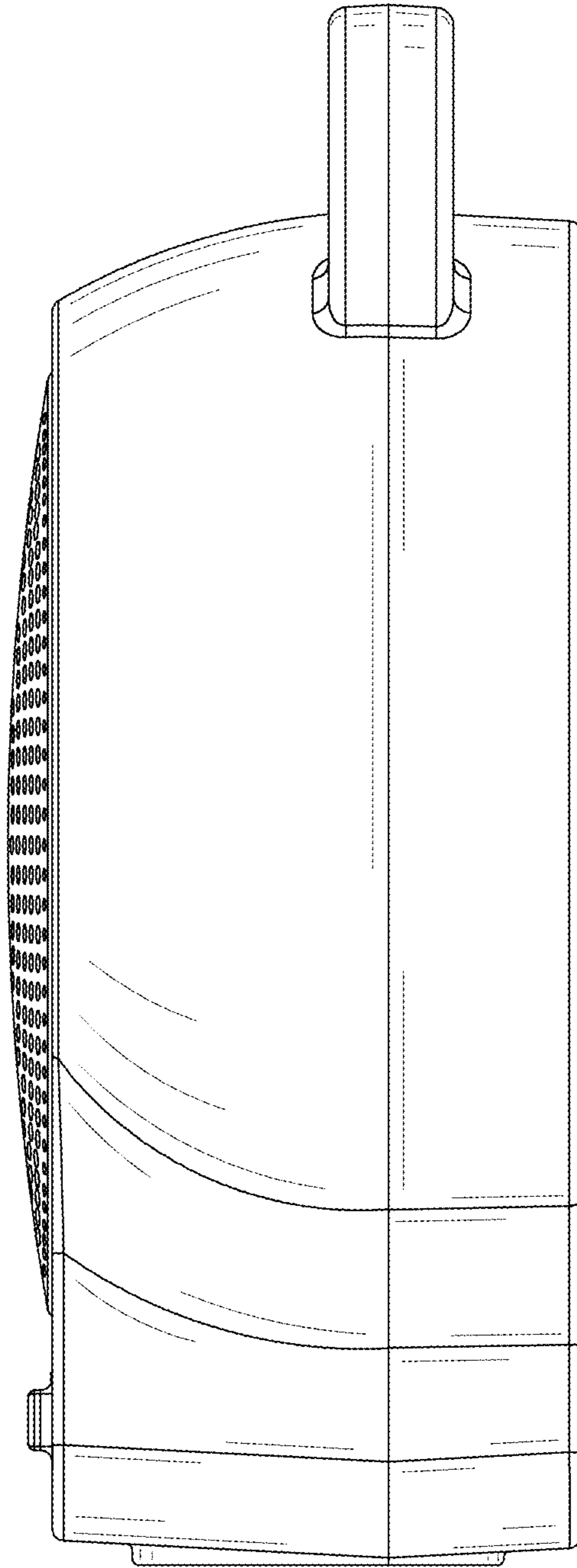


FIG.4

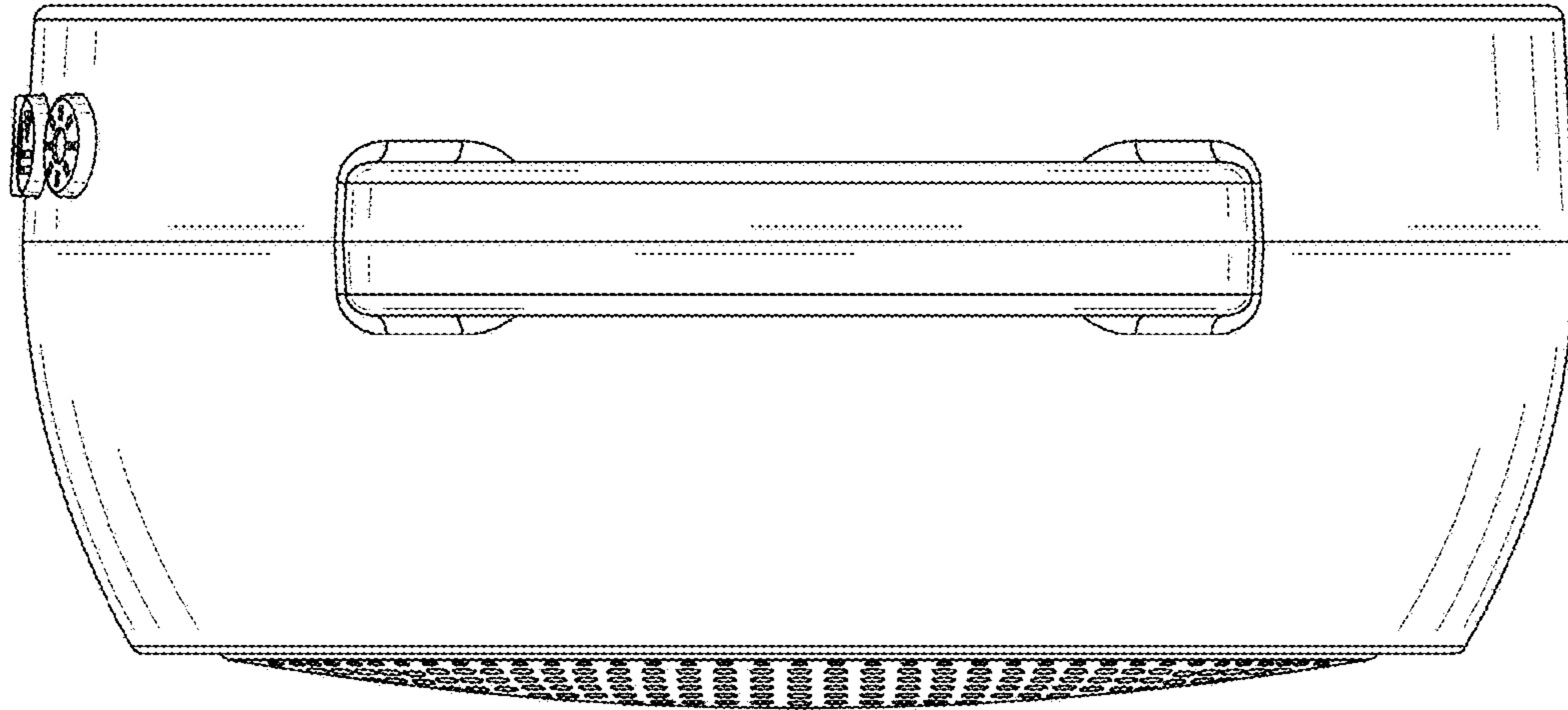


FIG. 5

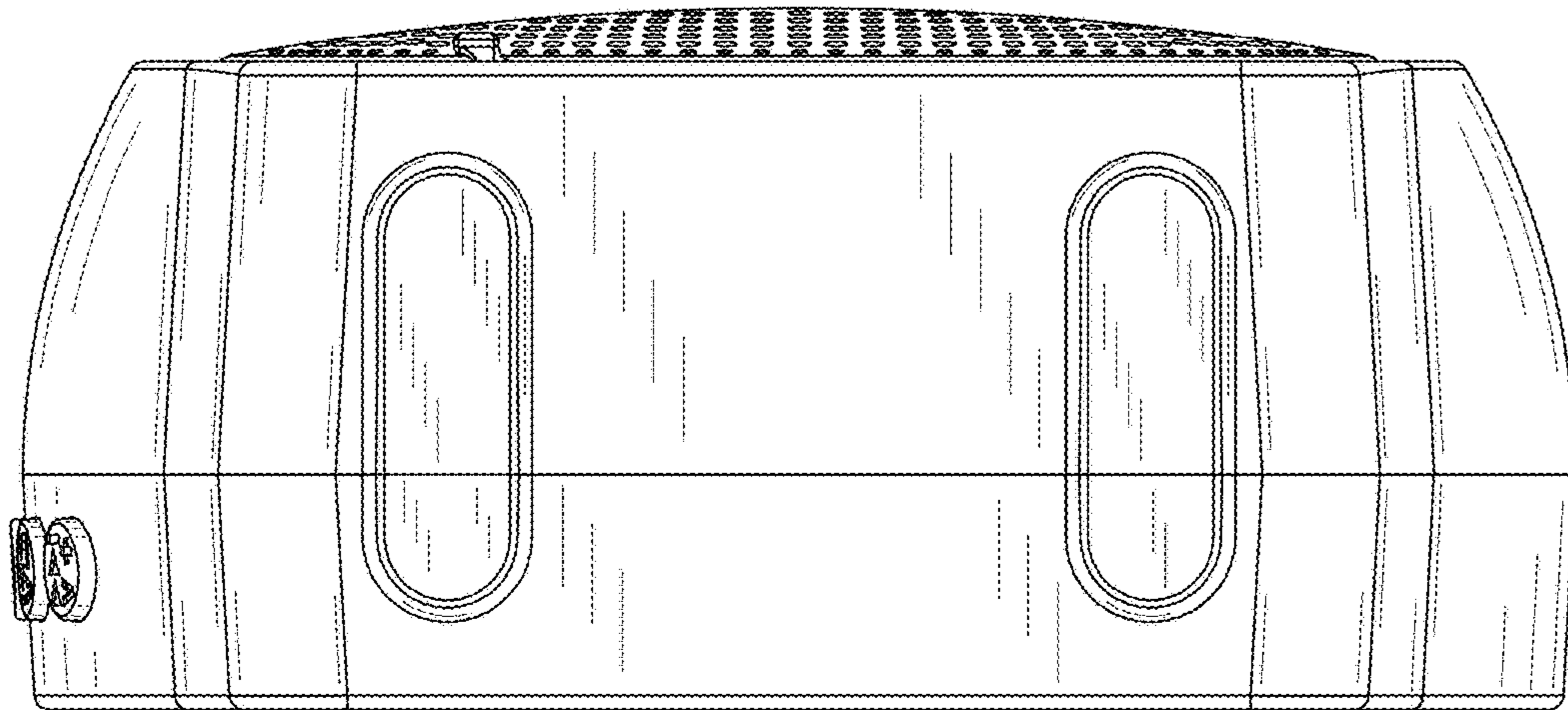


FIG. 6

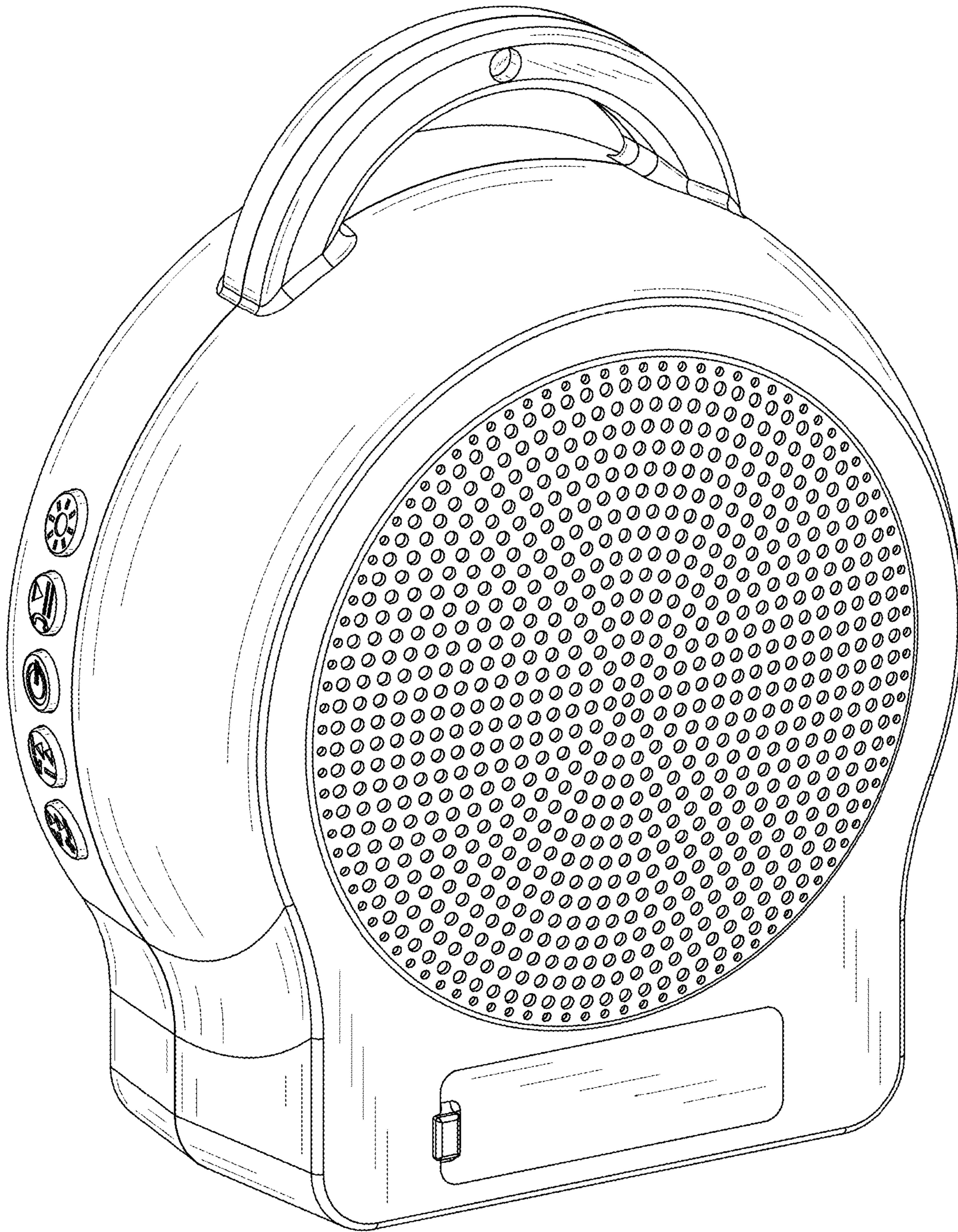


FIG.7

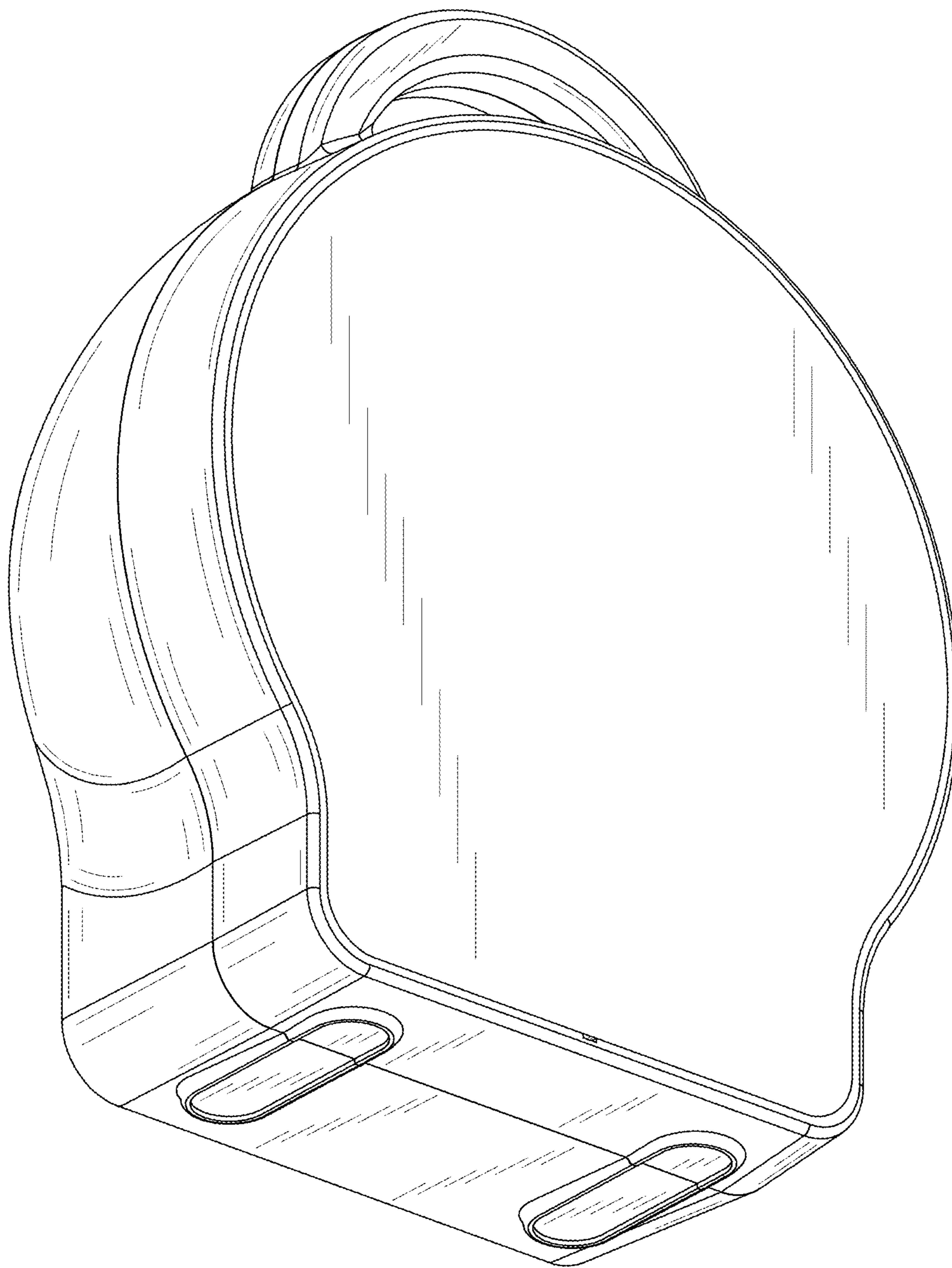


FIG.8