



US00D813189S

(12) **United States Design Patent**  
**Lundgard**

(10) **Patent No.:** **US D813,189 S**

(45) **Date of Patent:** **\*\* Mar. 20, 2018**

(54) **VACUUM TUBE BASED AUDIO AMPLIFIER**

(71) Applicant: **Eric J. Lundgard**, Midland, MI (US)

(72) Inventor: **Eric J. Lundgard**, Midland, MI (US)

(\*\*) Term: **15 Years**

(21) Appl. No.: **29/613,548**

(22) Filed: **Aug. 10, 2017**

(51) **LOC (11) Cl.** ..... **14-03**

(52) **U.S. Cl.**  
USPC ..... **D14/188**

(58) **Field of Classification Search**

USPC ..... D14/162, 167-169, 175, 179, 188,  
D14/194-198, 217, 257, 265, 299, 496;  
330/1 R, 3, 4, 250; 381/86, 120;  
455/344-351

CPC . B60R 11/02; B60R 11/0205; B60R 11/0217;  
G10K 9/22; G10K 15/04; H03F 1/26;  
H03F 1/3247; H03F 3/24; H03F 3/181;  
H03F 3/189; H03F 3/45197; H03F  
2200/03; H03F 2200/324; H03F  
2200/336; H03F 2200/543; H03F  
2203/45488; H03G 3/02; H03G 3/20;  
H04R 1/02; H04R 1/028; H04R 3/00;  
H04R 3/12; H04R 2420/07; H04R  
2499/13

See application file for complete search history.

(56) **References Cited**

**U.S. PATENT DOCUMENTS**

1,905,276	A	*	4/1933	Erickson	.....	H01J 40/14 220/327
2,497,747	A	*	2/1950	Valdettaro	.....	H03J 5/28 200/1 R
D371,787	S	*	7/1996	Sohn	.....	D14/188
D489,705	S	*	5/2004	Sabnani	.....	D14/189
D508,478	S	*	8/2005	Nakajima	.....	D14/188

D525,613	S	*	7/2006	Masui	.....	D14/188
D598,004	S		8/2009	Lam		
D669,992	S		10/2012	Schafer et al.		
D678,863	S		3/2013	Inada		
D702,211	S	*	4/2014	Kim	.....	D14/209.1
D702,663	S	*	4/2014	Kim	.....	D14/209.1
D713,379	S	*	9/2014	Kim	.....	D14/203.1
D729,762	S		5/2015	Hu et al.		

\* cited by examiner

*Primary Examiner* — Keli L Hill

(74) *Attorney, Agent, or Firm* — Mitchell Law PLLC;  
Matthew W. Mitchell

(57) **CLAIM**

The ornamental design for a vacuum tube based audio amplifier, as shown and described.

**DESCRIPTION**

FIG. 1 is an isometric view of the vacuum tube based audio amplifier of the present invention;

FIG. 2 is a front view thereof;

FIG. 3 is a rear view thereof;

FIG. 4 is a side view of the invention, as seen from the right side of FIG. 2;

FIG. 5 is a side view of the invention, as seen from the left side of FIG. 2; and,

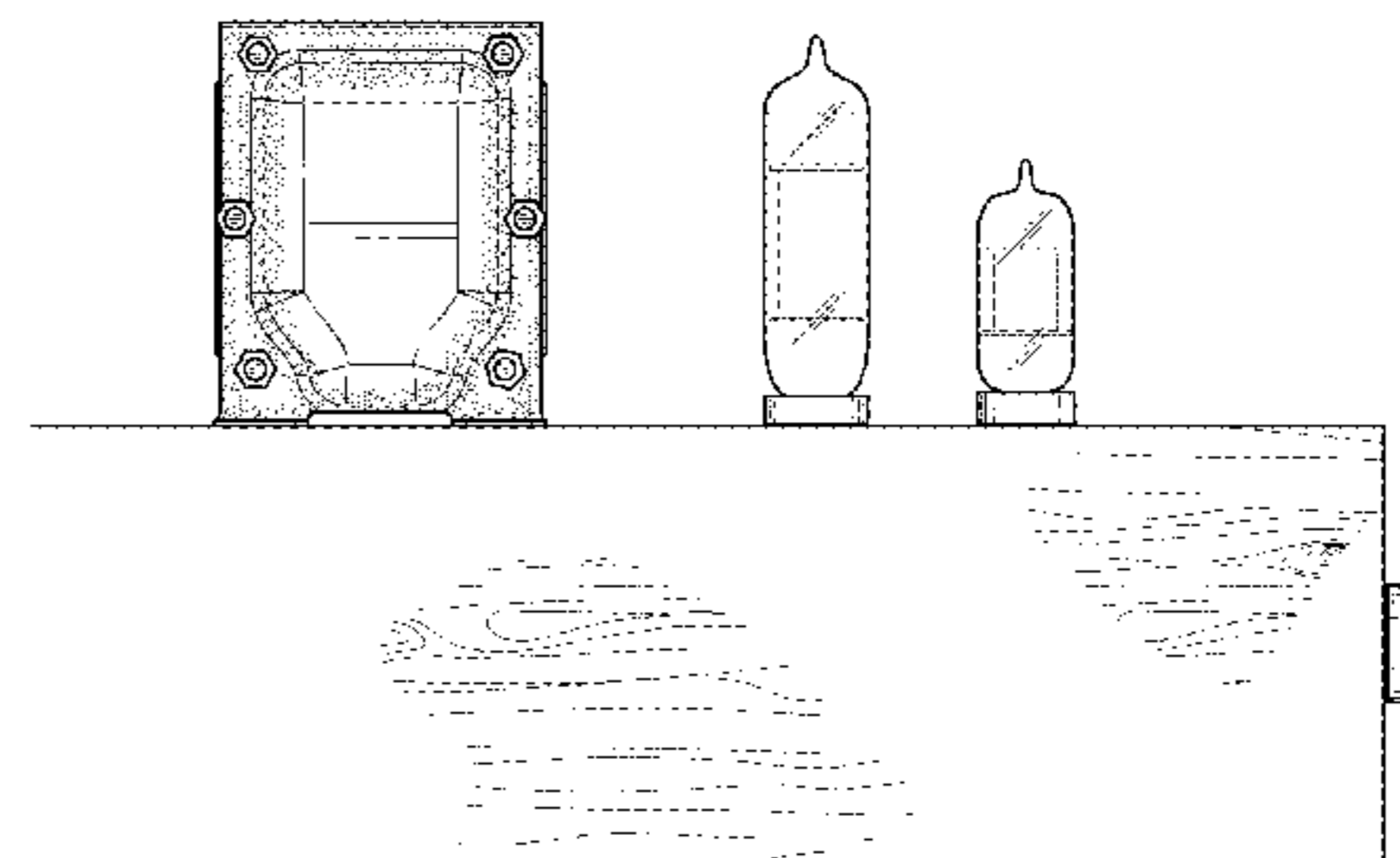
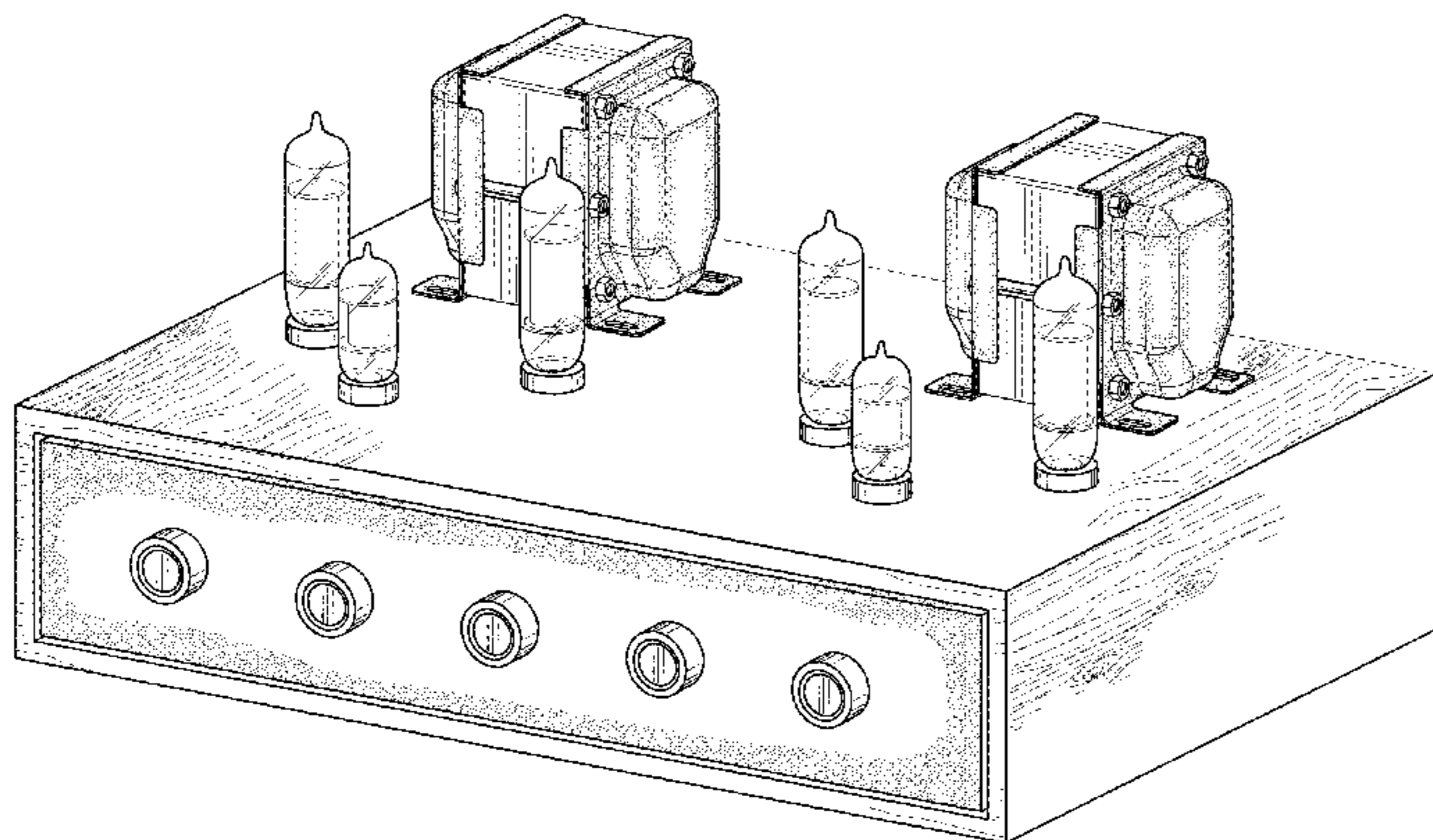
FIG. 6 is a top plan view thereof.

The stippling in the Figures on the front face and the transformer devices represents a pastel color and while shown intermittently is understood to be extended uniformly across the entire surface upon which it is applied.

The wood-pattern lines shown in the Figures indicate that the surface portions of the amplifier comprise a wood appearance. The specific wood grain pattern depicted in the figures is for illustrative purposes only.

The broken-line disclosure in the views is understood to form part of the claimed design.

**1 Claim, 6 Drawing Sheets**



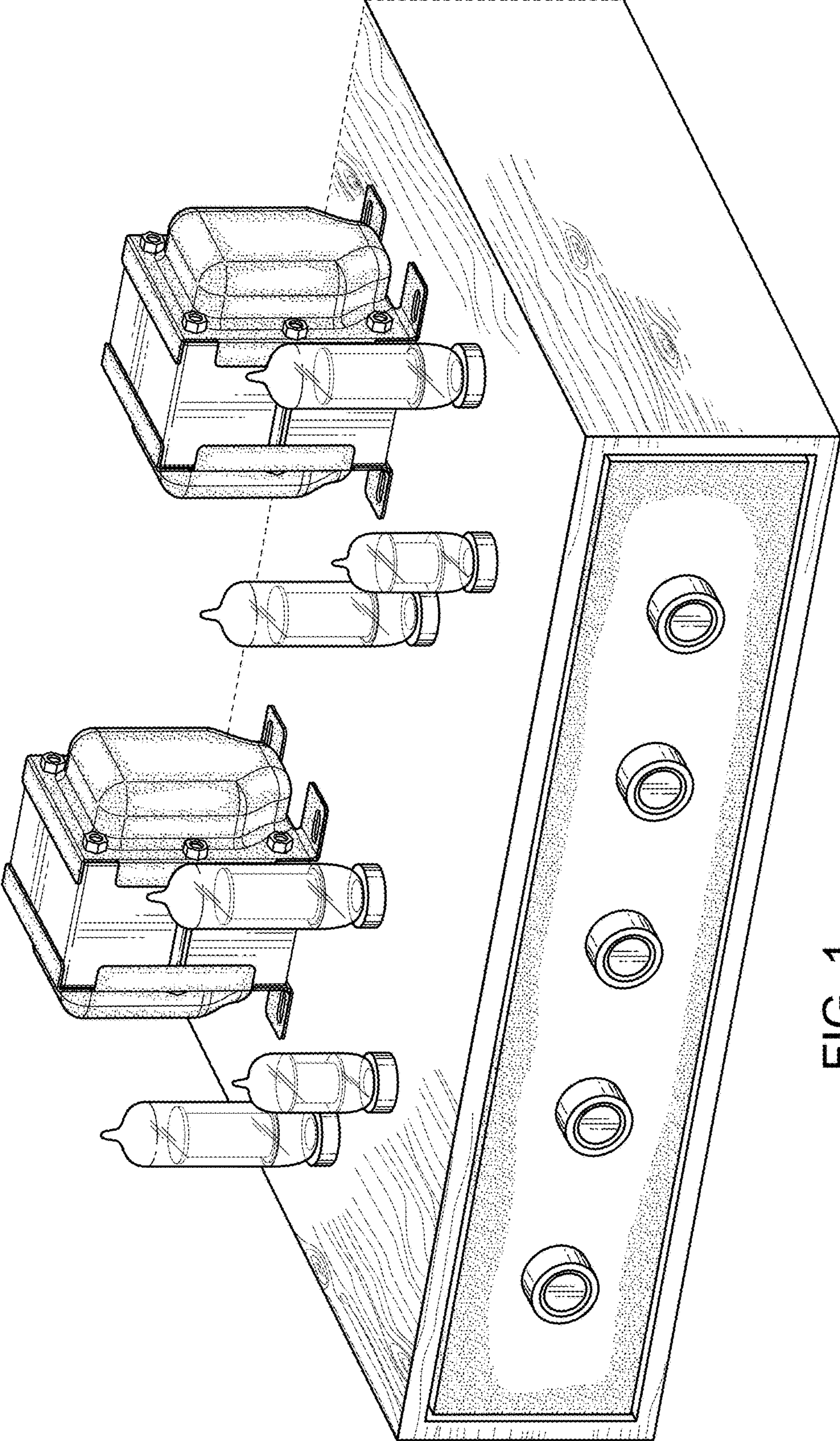


FIG. 1



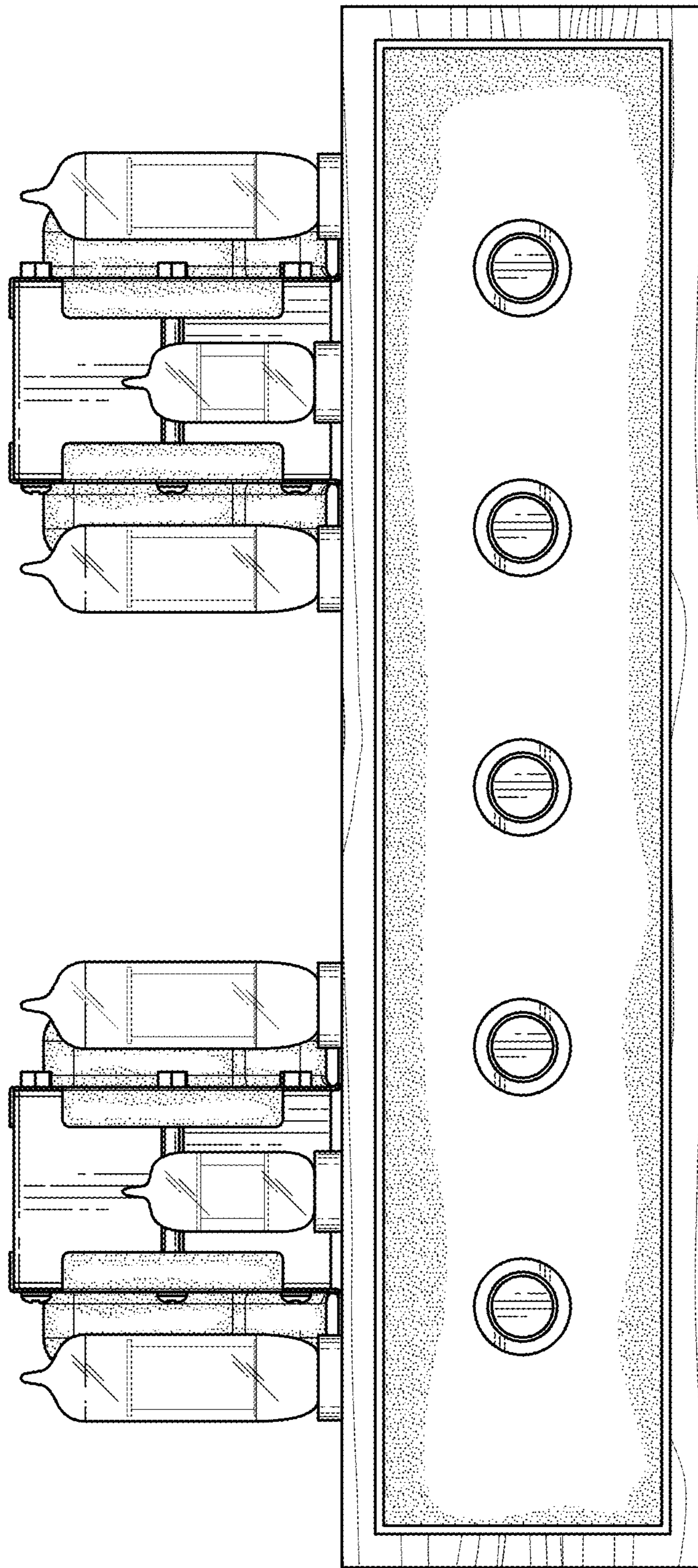


FIG. 2

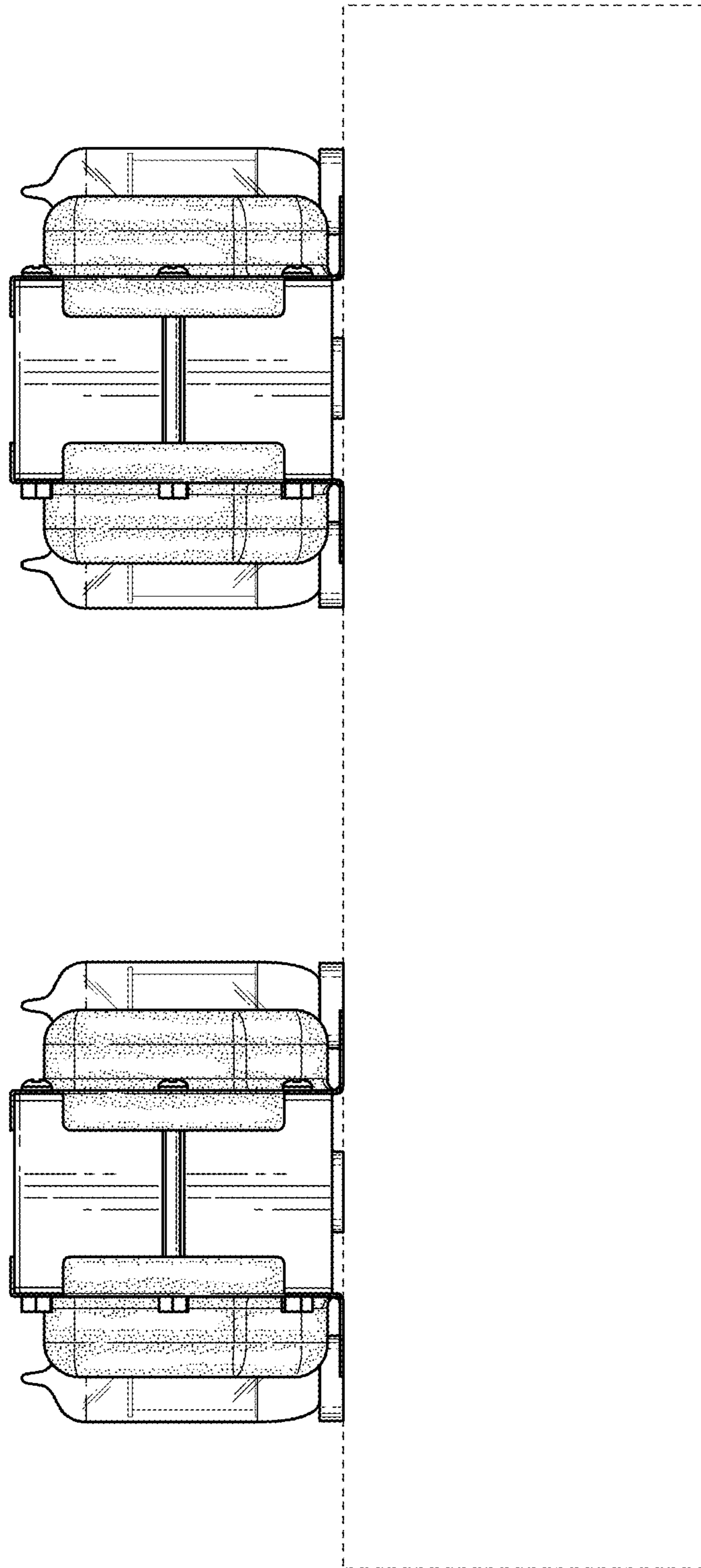


FIG. 3

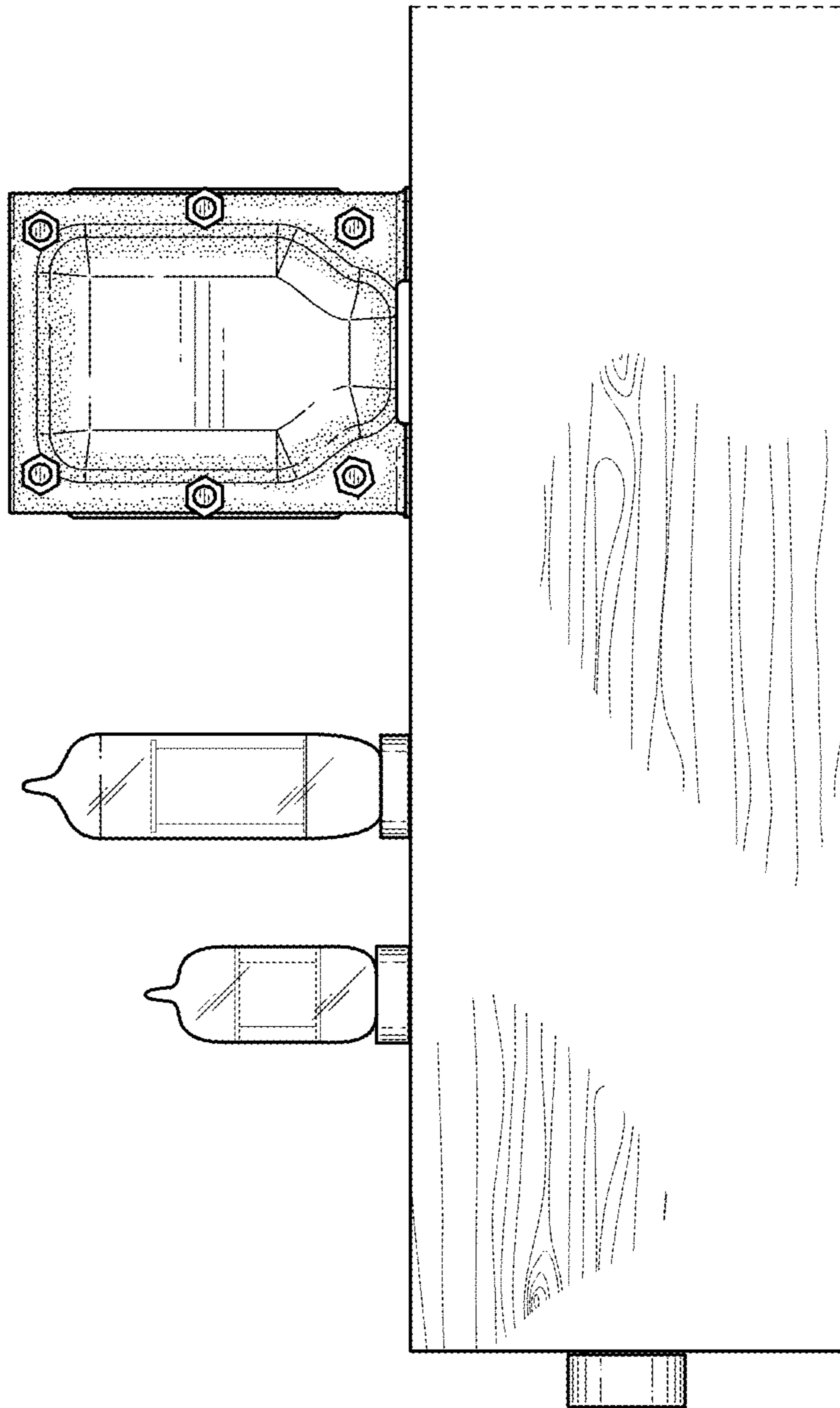


FIG. 4

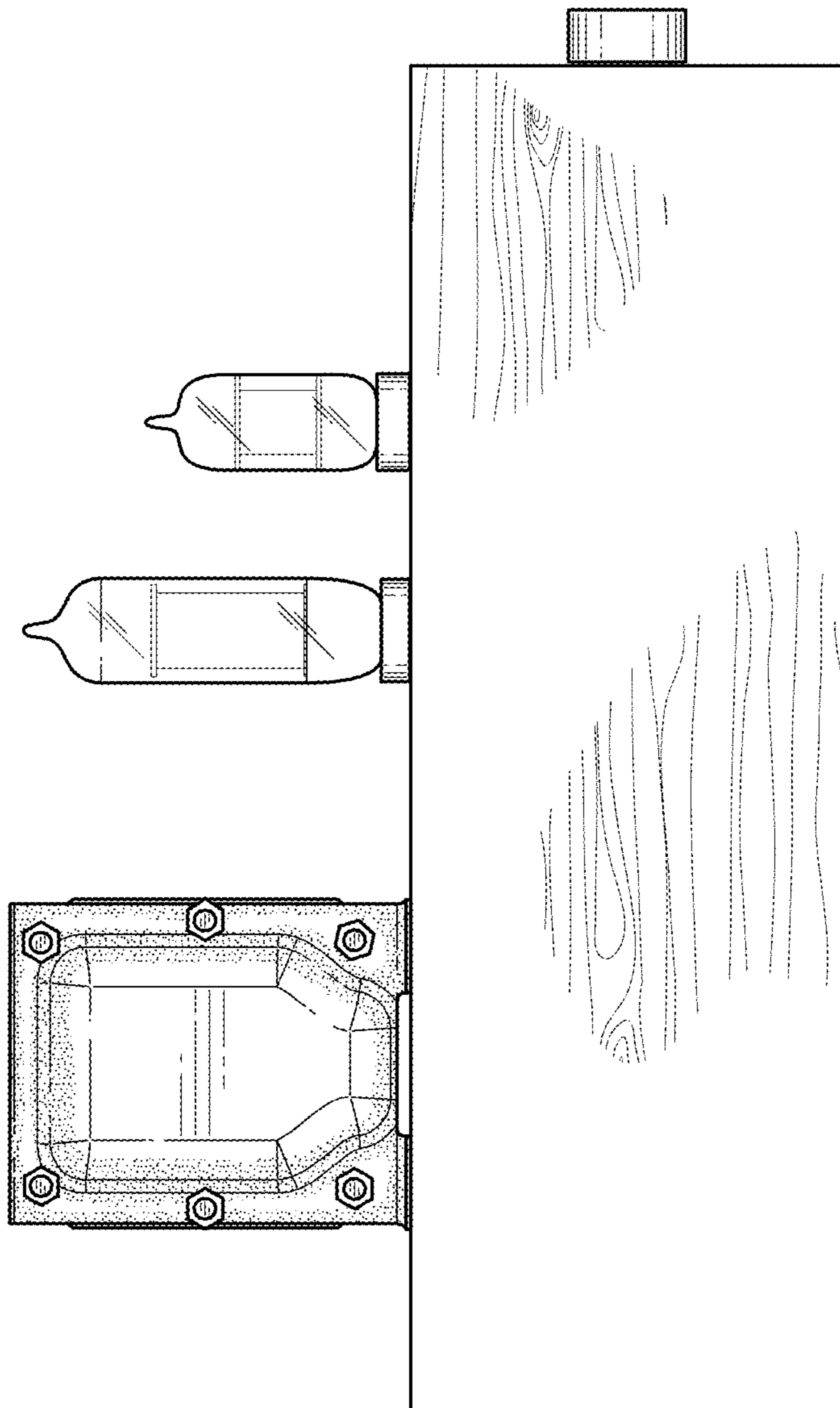


FIG. 5



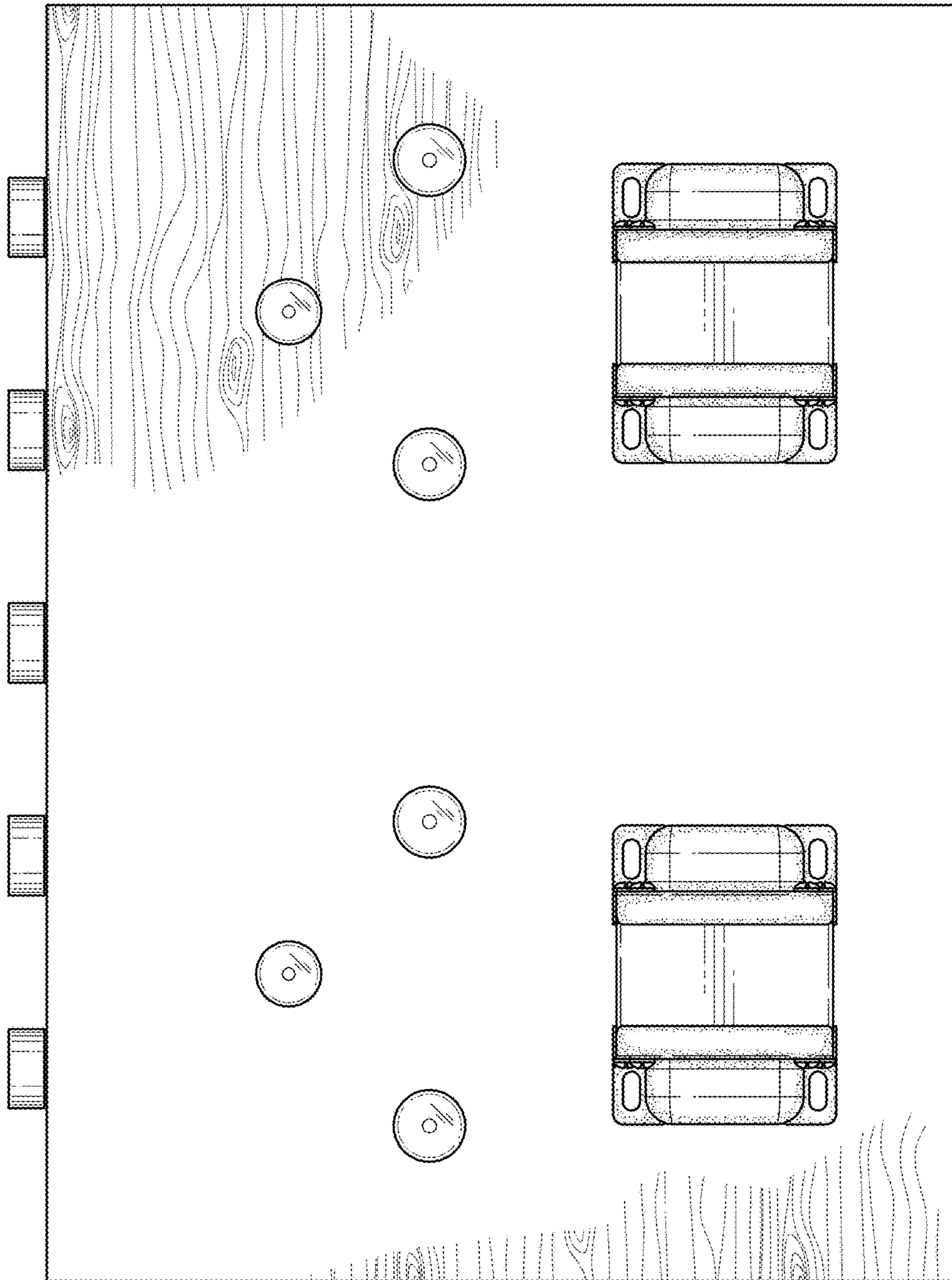


FIG. 6