



US00D813179S

(12) **United States Design Patent**
Wu et al.

(10) **Patent No.:** **US D813,179 S**
(45) **Date of Patent:** **** Mar. 20, 2018**

(54) **POWER SWITCH WITH USB JACK**

(71) Applicant: **OKIN Refined Electric Technology Co., Ltd., Jiaxing (CN)**

(72) Inventors: **Yongbiao Wu, Zhejiang (CN); Chenjian Lei, Zhejiang (CN); Long Li, Zhejiang (CN)**

(73) Assignee: **OKIN Refined Electric Technology Co., Ltd., Jiaxing (CN)**

(**) Term: **15 Years**

(21) Appl. No.: **29/598,719**

(22) Filed: **Mar. 28, 2017**

(51) **LOC (11) Cl.** **13-03**

(52) **U.S. Cl.**
USPC **D13/169**

(58) **Field of Classification Search**

USPC D13/162, 169, 171, 174
CPC H01H 3/02; H01H 3/022; H01H 3/12; H01H 3/122; H01H 9/02; H01H 9/0235; H01H 13/023; H01H 13/04; H01H 13/06; H01H 13/063; H01H 13/10; H01H 13/12; H01H 13/142; H01H 13/20; H01H 13/30; H01H 13/36; H01H 13/70; H01H 13/86; H01H 21/24; H01H 25/065; H01H 23/02; H01H 23/025; H01H 23/04; H01H 23/08; H01H 23/145; A47C 7/506; A47C 1/0345; A47C 1/035

See application file for complete search history.

(56) **References Cited**

U.S. PATENT DOCUMENTS

6,724,102 B1 * 4/2004 Kelwaski B60L 1/00
307/10.1

8,106,325 B2 * 1/2012 Laurent H01H 13/70
200/296
D694,715 S * 12/2013 Fichte D13/162
8,859,921 B2 * 10/2014 Chiba H01H 23/145
200/547
D733,652 S * 7/2015 Wenji D13/123
D758,975 S * 6/2016 Hunter D13/162
D764,420 S * 8/2016 Naka D13/171
D782,987 S * 4/2017 Gassner D13/171
D786,805 S * 5/2017 Anderson D13/174
D788,718 S * 6/2017 Tang D13/169
2013/0098747 A1 * 4/2013 Chiba H01H 23/145
200/547
2015/0243454 A1 * 8/2015 Choi B60K 37/06
200/5 A

* cited by examiner

Primary Examiner — Selina Sikder

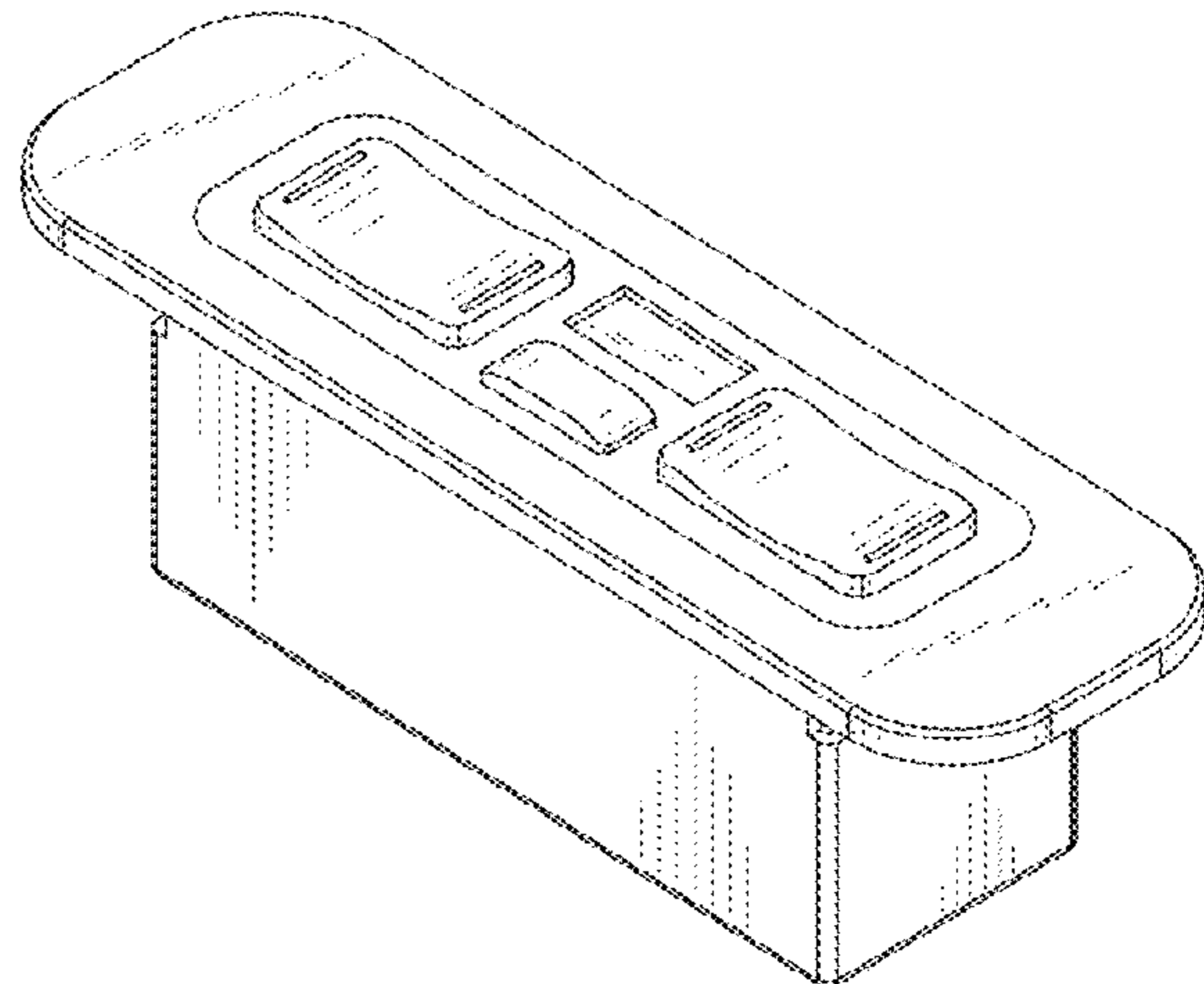
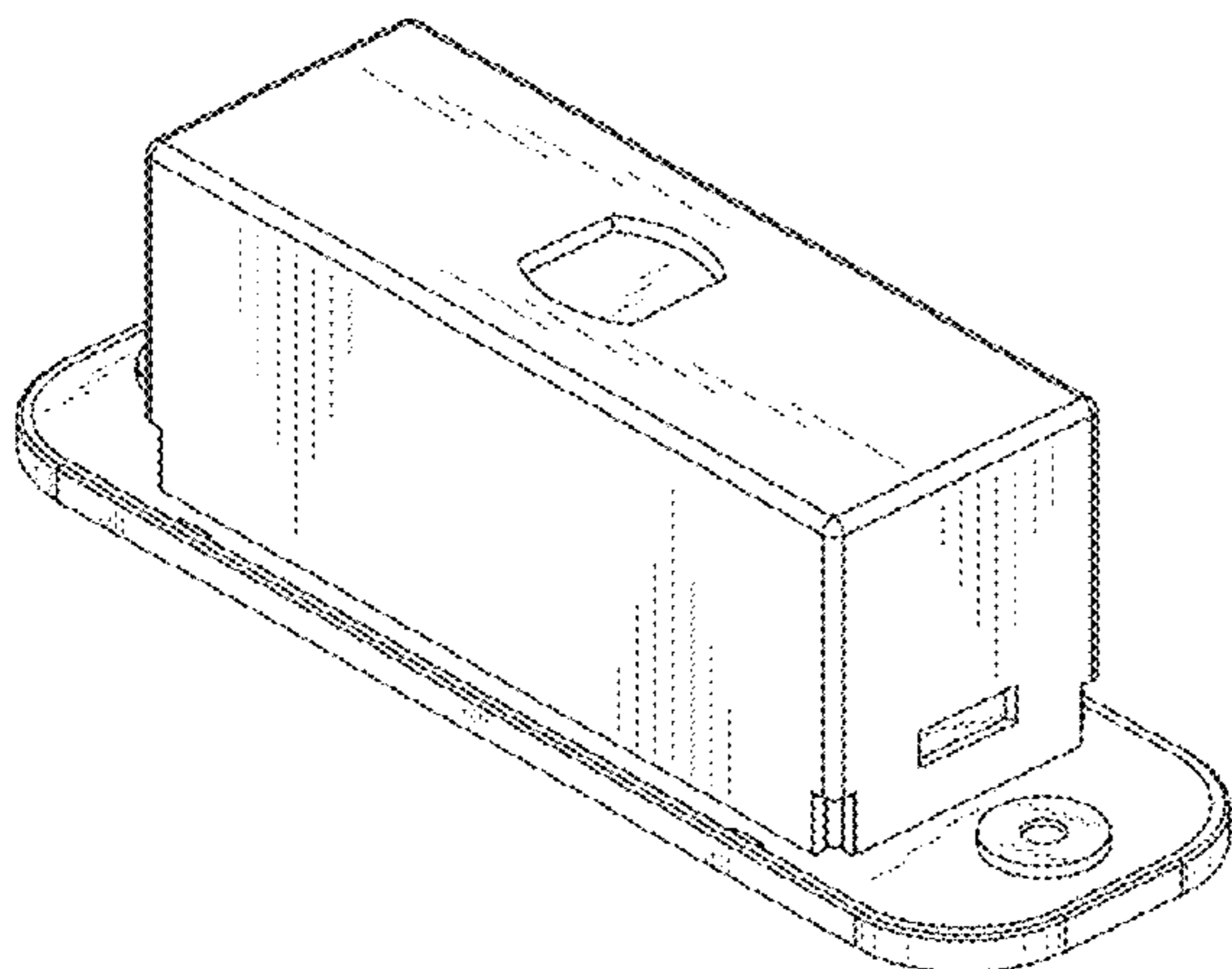
(57) **CLAIM**

The ornamental design for a power switch with USB jack, as shown and described.

DESCRIPTION

FIG. 1 is a front view of the power switch with USB jack showing our new design;
FIG. 2 is a back view thereof;
FIG. 3 is a left side view thereof;
FIG. 4 is a right side view thereof;
FIG. 5 is a top view thereof;
FIG. 6 is a bottom view thereof;
FIG. 7 is a bottom perspective view thereof; and,
FIG. 8 is a top perspective view thereof.

1 Claim, 7 Drawing Sheets



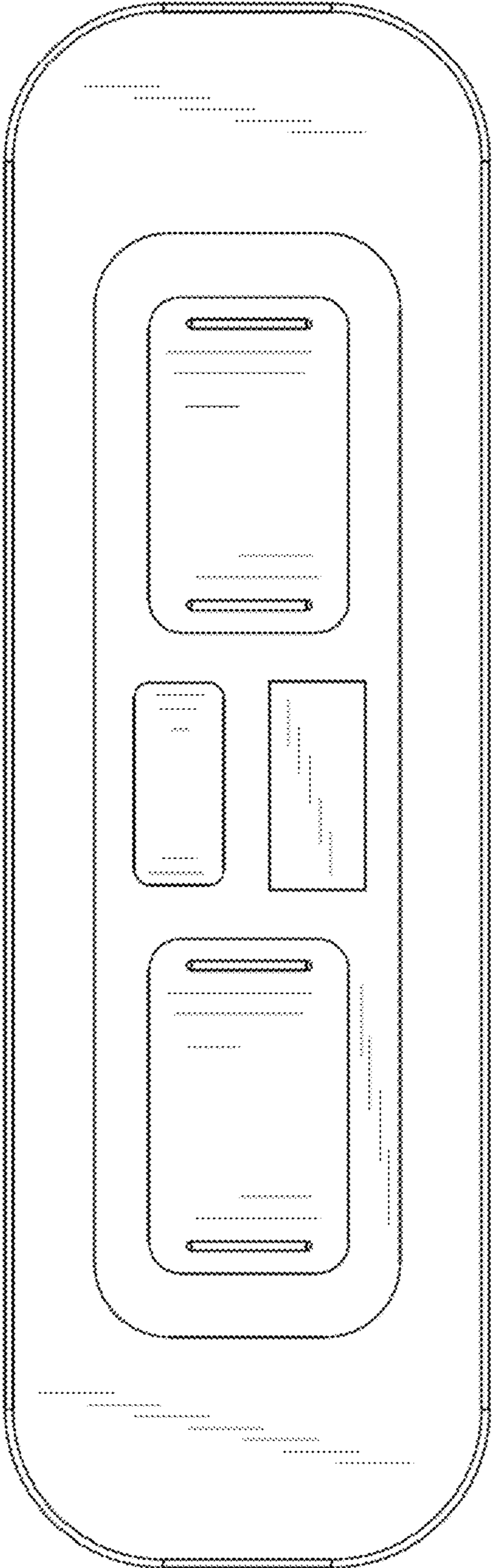


FIG.1

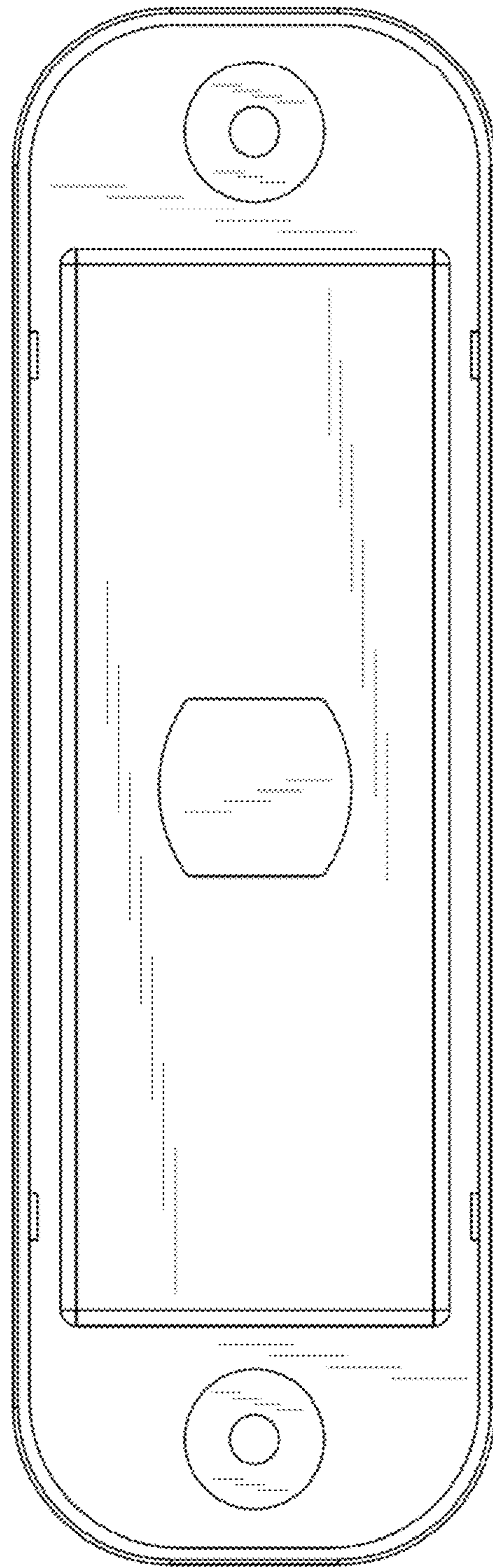


FIG.2

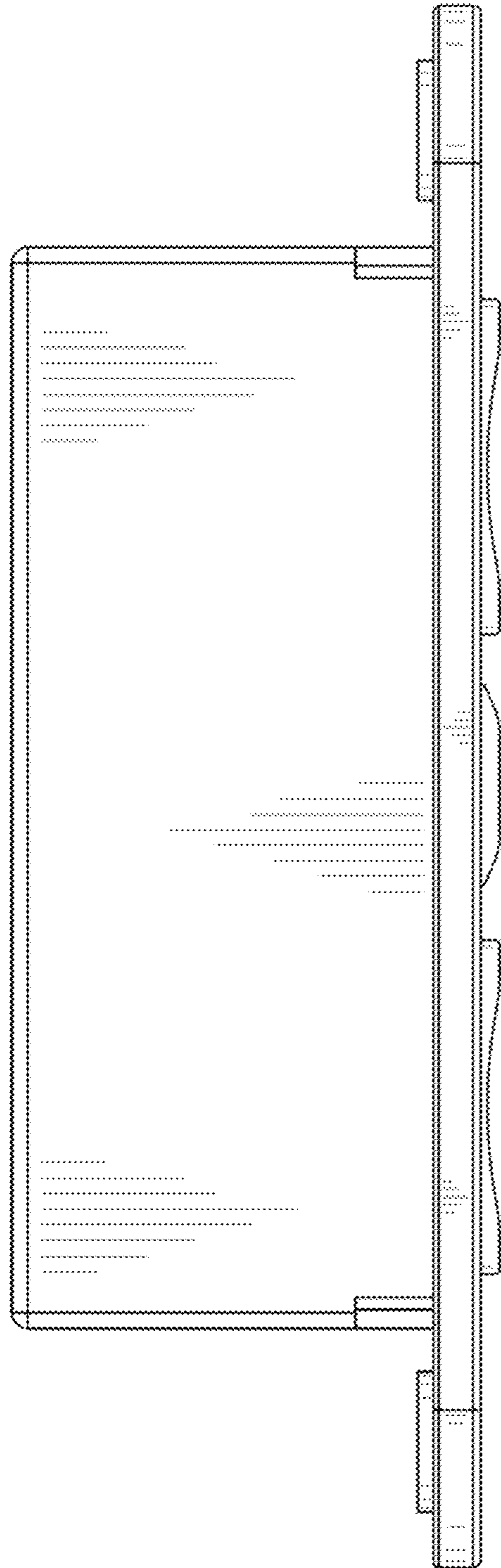


FIG.3

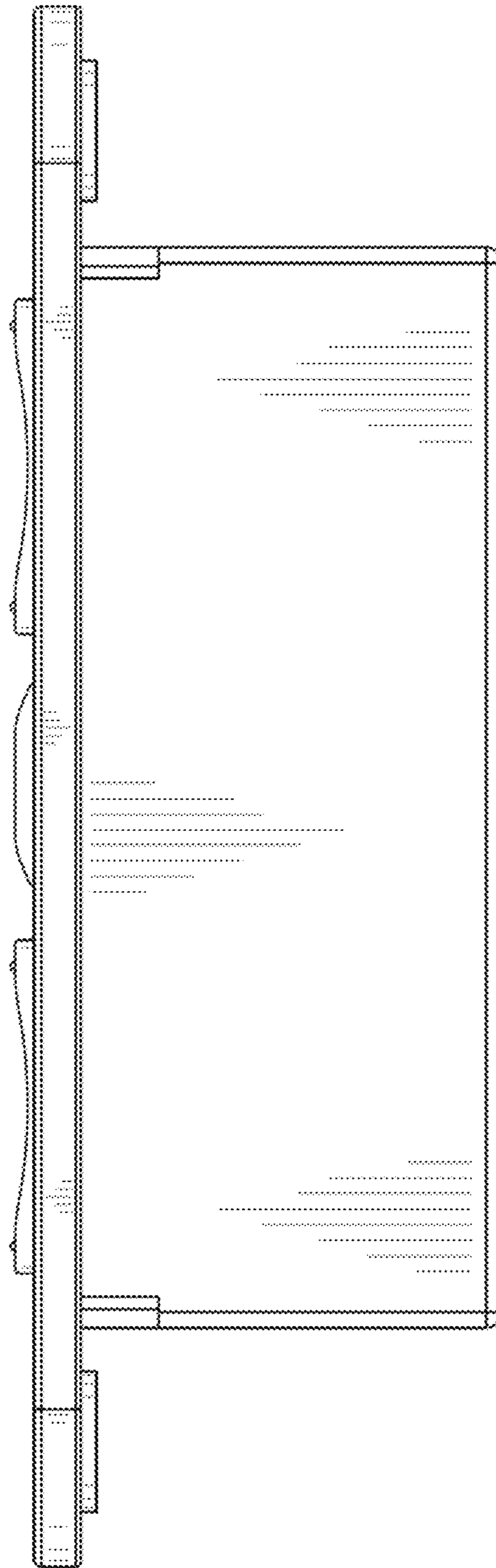


FIG.4

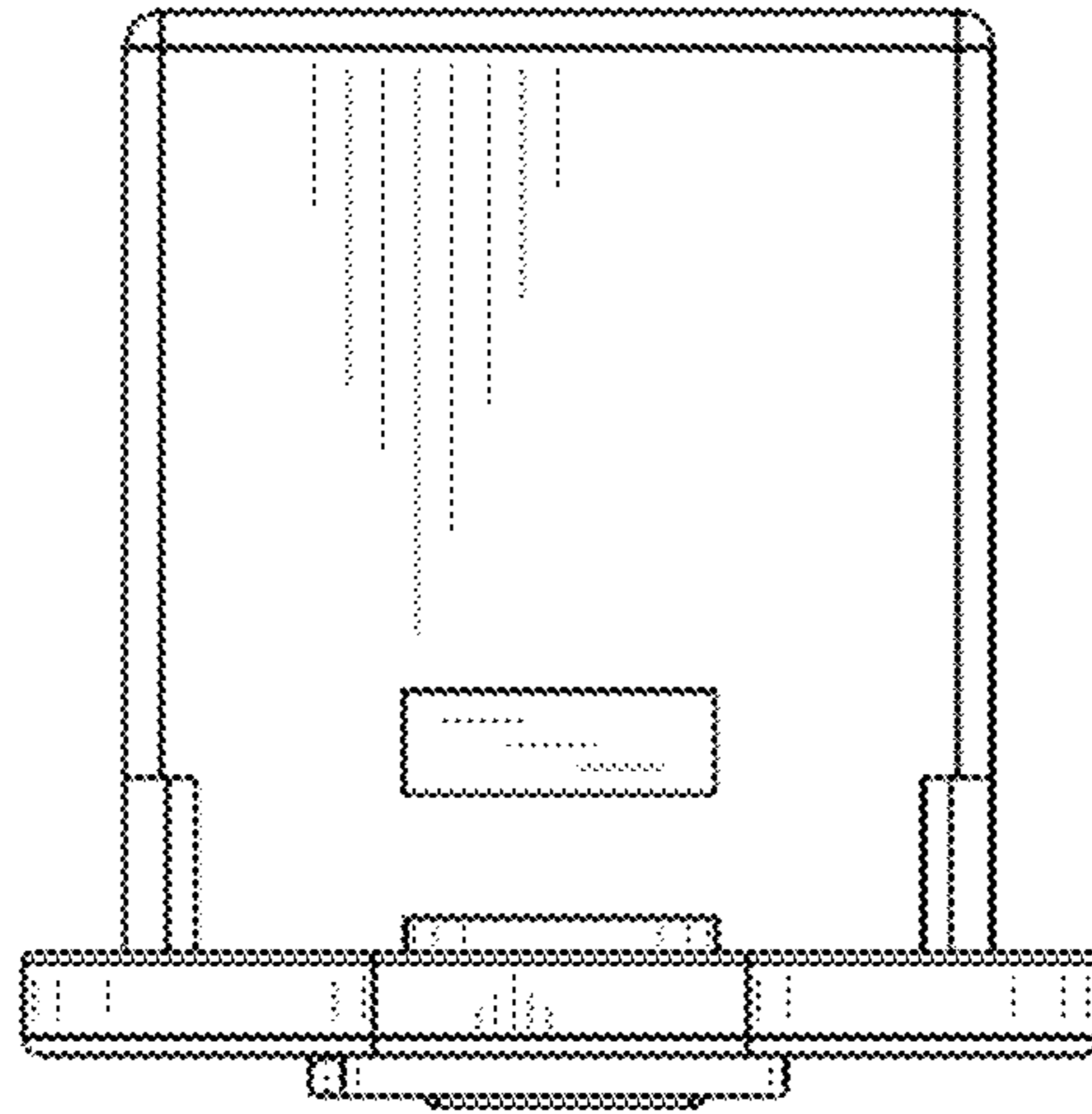


FIG. 5

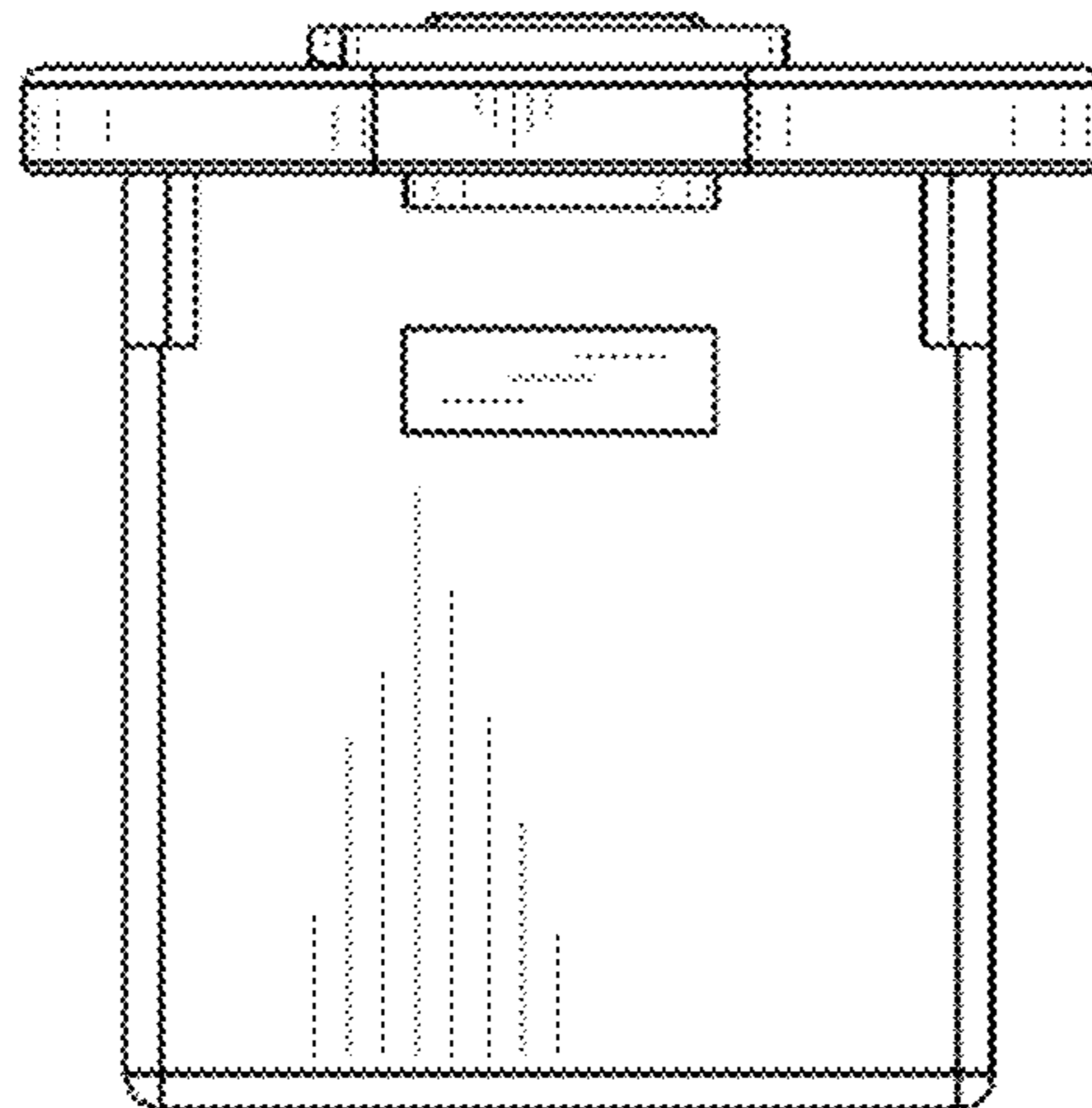


FIG. 6

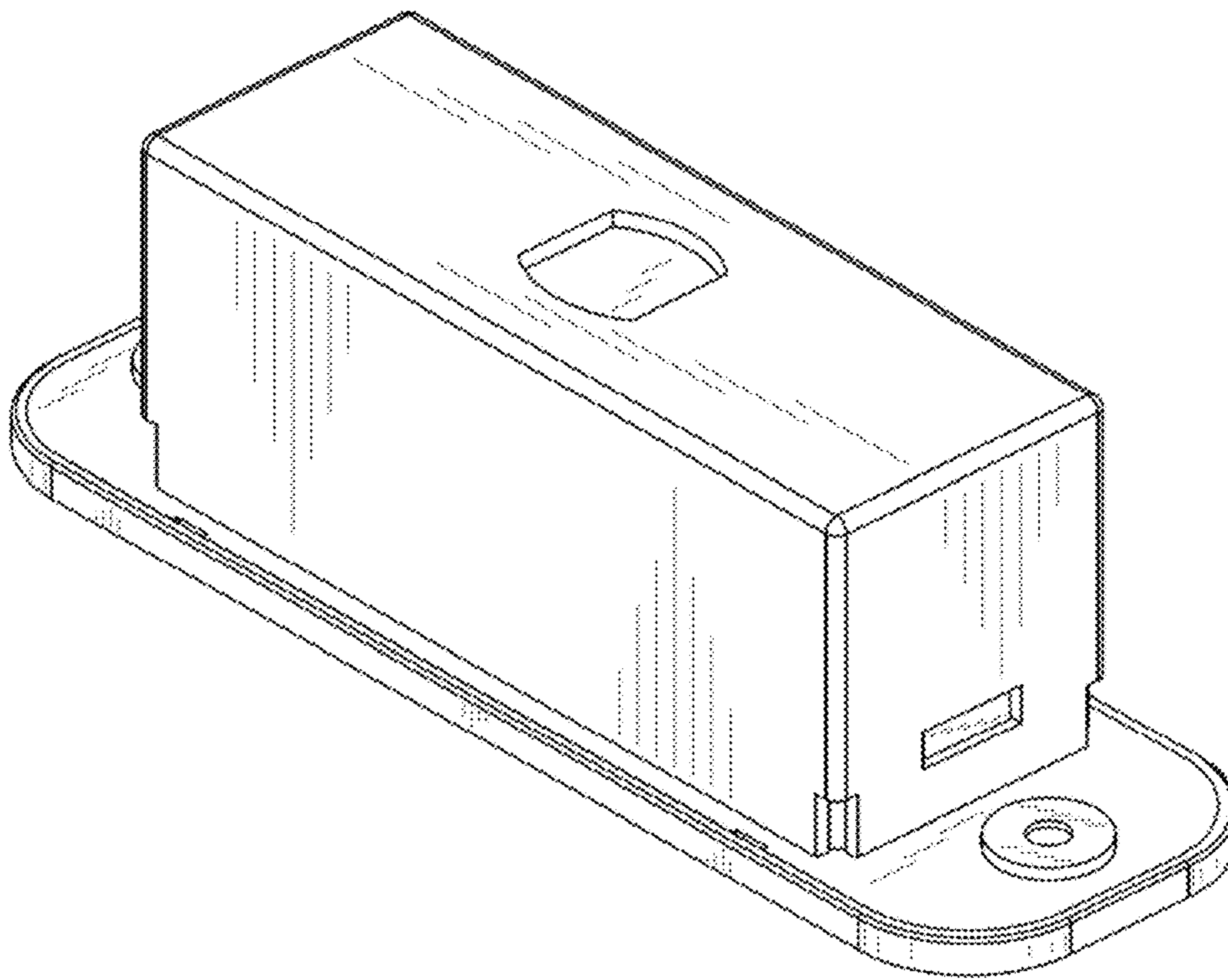


FIG.7

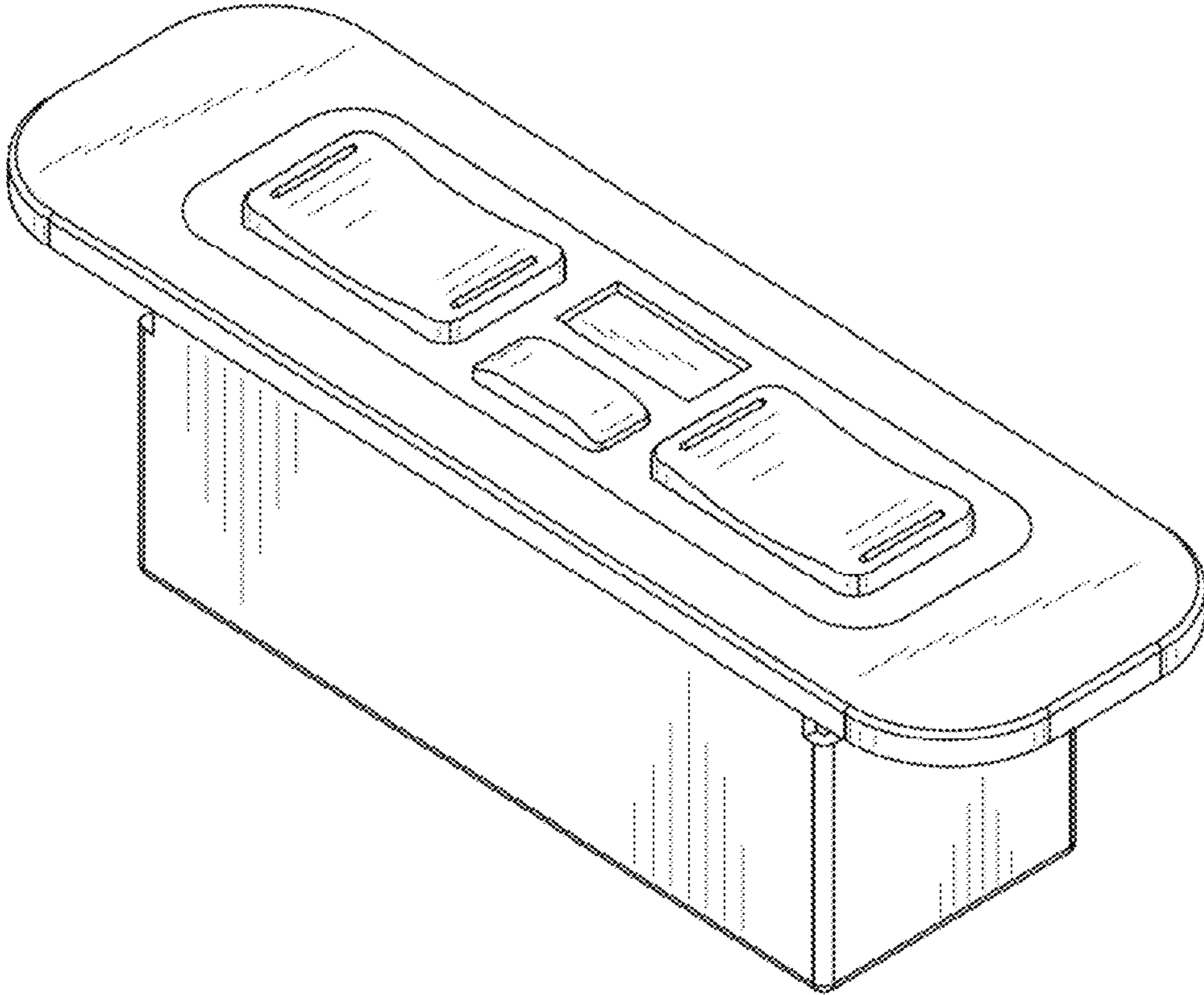


FIG.8