



US00D813176S

(12) **United States Design Patent**
Rogers

(10) **Patent No.:** **US D813,176 S**
(45) **Date of Patent:** **** Mar. 20, 2018**

(54) **CIRCUIT BREAKER**

- (71) Applicant: **Thomas W. Rogers**, Brentwood, TN (US)
- (72) Inventor: **Thomas W. Rogers**, Brentwood, TN (US)
- (**) Term: **15 Years**
- (21) Appl. No.: **29/581,014**
- (22) Filed: **Oct. 14, 2016**
- (51) **LOC (11) Cl.** **13-03**
- (52) **U.S. Cl.**
USPC **D13/160**
- (58) **Field of Classification Search**
USPC D13/110, 112, 118–123, 133, 134,
D13/145–147, 149, 154, 156, 158–162.1,
D13/171, 173, 174, 178, 183, 184, 199
CPC G05B 19/04; H01H 13/83; H01H 9/00;
H01H 9/02; H01H 9/20; H01H 9/28;
H01H 9/30; H01H 9/44; H01H 9/54;
H01H 33/00; H01H 33/02; H01H 71/16;
H01H 73/24; H01H 75/00; H02H 3/00;
H02H 3/08; H02H 7/00; H02H 7/02;
H02H 9/02
See application file for complete search history.

(56) **References Cited**

U.S. PATENT DOCUMENTS

| | | | | |
|-------------------|---------|---------------|-------|----------------------|
| D400,506 S * | 11/1998 | Mahoney | | D13/146 |
| D468,271 S * | 1/2003 | Renne | | D13/160 |
| D614,148 S * | 4/2010 | Crites | | D13/158 |
| D645,428 S * | 9/2011 | Karlsson | | D13/199 |
| D754,615 S * | 4/2016 | Chen | | D13/162.1 |
| D795,201 S * | 8/2017 | Hagimoto | | D13/162 |
| 2003/0043011 A1 * | 3/2003 | Renne | | H01H 73/28 337/37 |
| 2007/0115089 A1 * | 5/2007 | Krishnamurthy | | H01H 73/24 337/53 |
| 2016/0294179 A1 * | 10/2016 | Kennedy | | H01H 9/54 |
| 2016/0327611 A1 * | 11/2016 | Ware | | H01H 9/167 |
| 2017/0040128 A1 * | 2/2017 | Wang | | H01H 13/83 |

OTHER PUBLICATIONS

Trac Digital Circuit Breaker, No date available, [online], [site visited Dec. 21, 2017]. Available from Internet, <URL: https://www.amazon.com/TRAC-Digital-Circuit-Breaker-Display/dp/B01N-AZDR6L/ref=sr_1_1?ie=UTF8&qid=1513883615&sr=8-1&keywords=TRAC+Digital+Circuit+Breaker+w%2FDisplay%2C+100-175+amps>.*

(Continued)

Primary Examiner — Cathron C Brooks
Assistant Examiner — Shawn T Gingrich
(74) *Attorney, Agent, or Firm* — Patterson Intellectual Property Law, P.C.; Edward D. Lanquist, Jr.; Alex H. Huffstutter

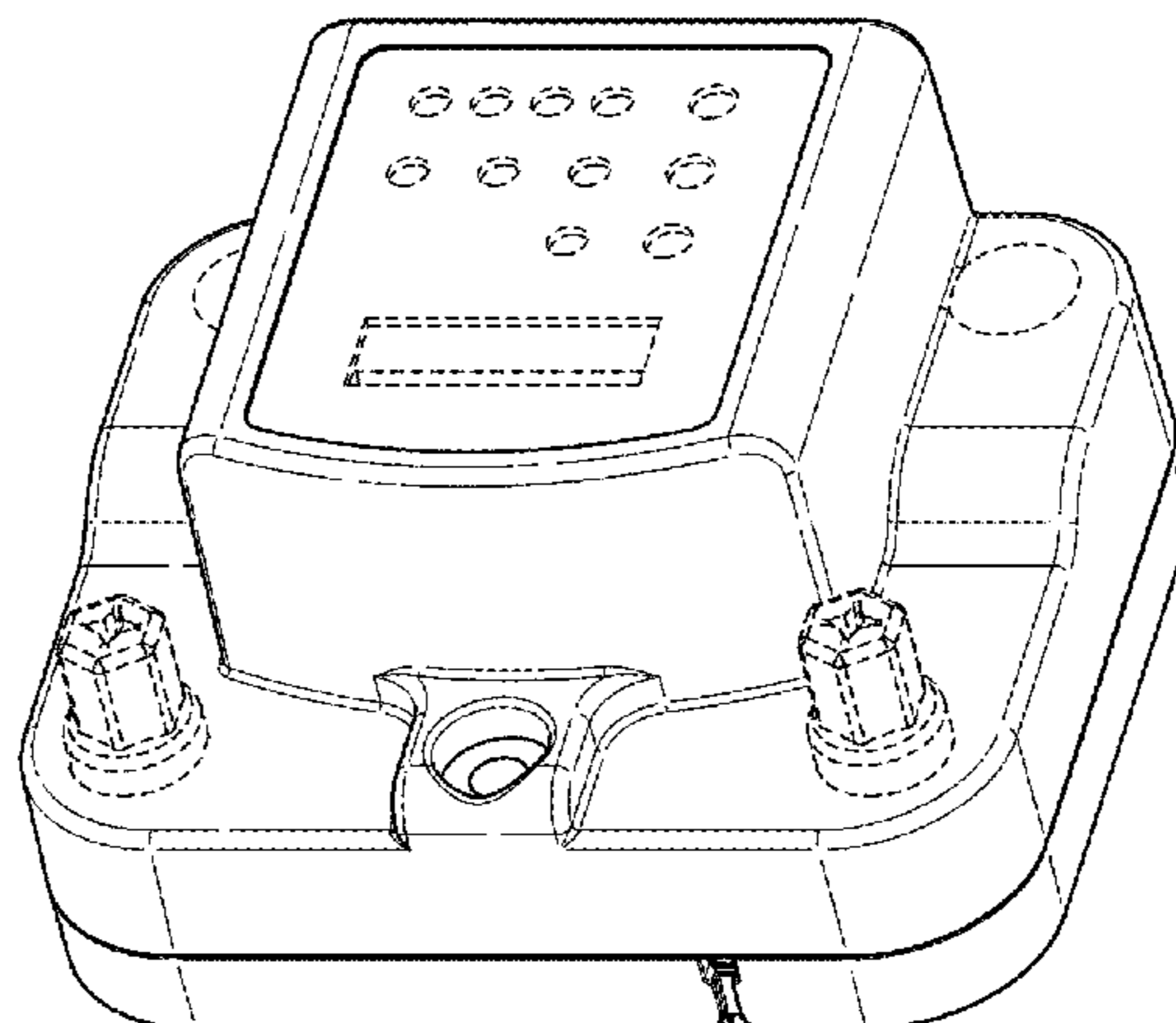
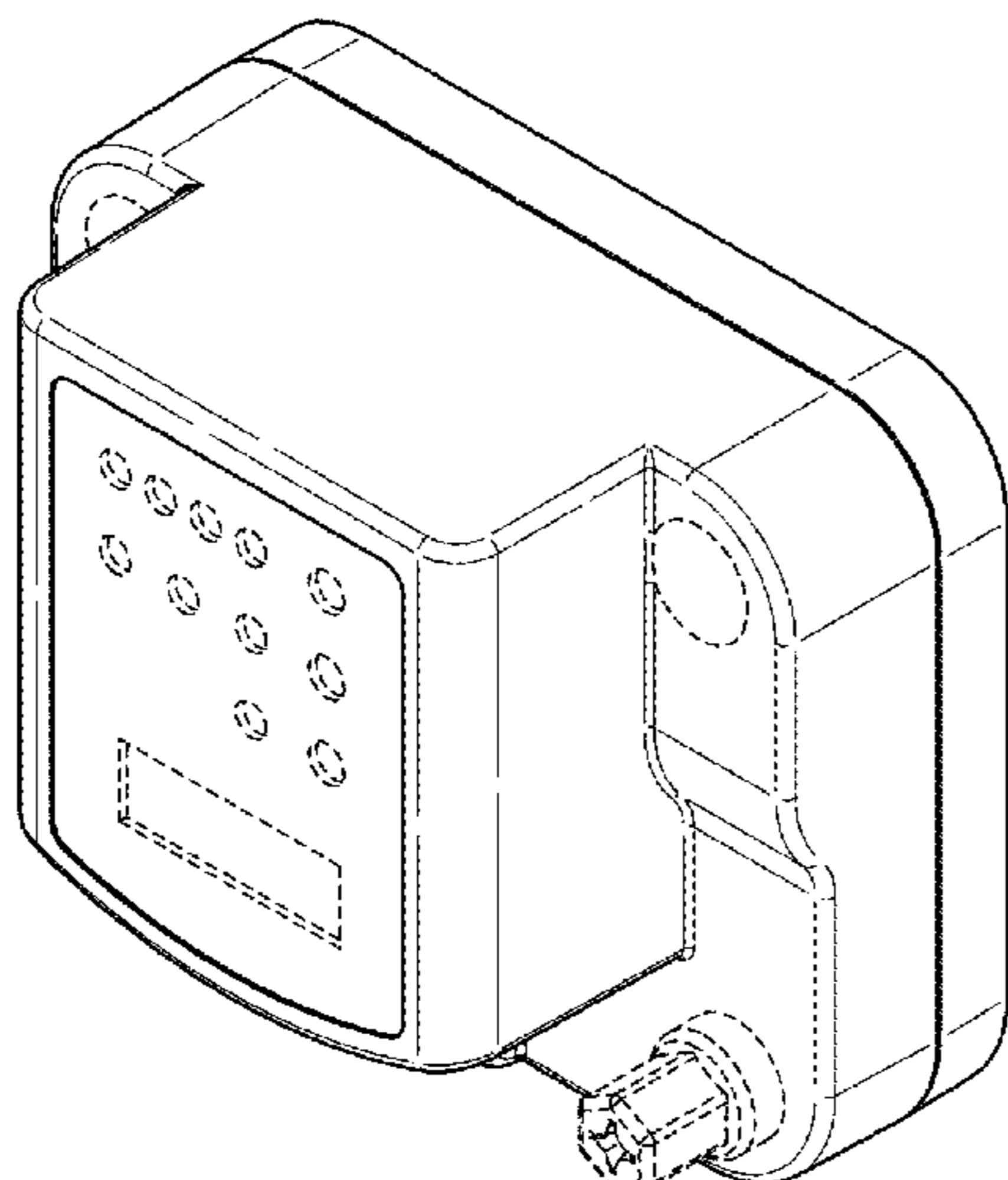
(57) **CLAIM**

What is claimed is the ornamental design for a circuit breaker, as shown and described.

DESCRIPTION

FIG. 1 is a front top perspective view showing the circuit breaker of Applicant's new design;
FIG. 2 is a front bottom perspective view of the circuit breaker of FIG. 1;
FIG. 3 is a rear perspective view of the circuit breaker of FIG. 1;
FIG. 4 is a top plan view of the circuit breaker of FIG. 1;
FIG. 5 is a front elevation view of the circuit breaker of FIG. 1;
FIG. 6 is a right side elevation view of the circuit breaker of FIG. 1, the left side elevation view being a mirrored image of FIG. 6;
FIG. 7 is a bottom plan view of the circuit breaker of FIG. 1; and,
FIG. 8 is a rear elevation view of the circuit breaker of FIG. 1.
The broken lines in the drawings showing bolts, holes, and indicators illustrate portions of the circuit breaker that form no part of the claimed design.

1 Claim, 4 Drawing Sheets



(56)

References Cited

OTHER PUBLICATIONS

Trac Digital Circuit Breaker, dated Aug. 2, 2017, [online], [site visited Dec. 21, 2017]. Available from Internet, <URL: <https://www.tracoutdoor.com/shop/electrical-items/trac-digital-circuit-breaker-wdisplay-100-175-amps/>>.*

Bussmann 187 marine rated circuit breaker for sale on bestboatwire.com (downloaded from Internet on Jan. 17, 2017).

Circuit breaker replacement fuse for sale on ebay.com (downloaded from Internet on Jan. 17, 2017).

Boat circuit breaker/thermal for sale by Lewmar (downloaded from Internet on Jan. 17, 2017).

Blue Sea 2139 Breaker for sale on marineengineparts.com (downloaded from Internet on Jan. 17, 2017).

Circuit breakers for sale by Telecom (downloaded from Internet on Jan. 17, 2017).

Trac 12v Digital Circuit Breaker with Display for sale by Trac (downloaded from Internet on Jan. 17, 2017).

Trac 12v Digital Circuit Breaker for sale by Trac (downloaded from Internet on Jan. 17, 2017).

Attwood 50-Amp Circuit Breaker for sale on walmart.com (downloaded from Internet on Jan. 17, 2017).

* cited by examiner

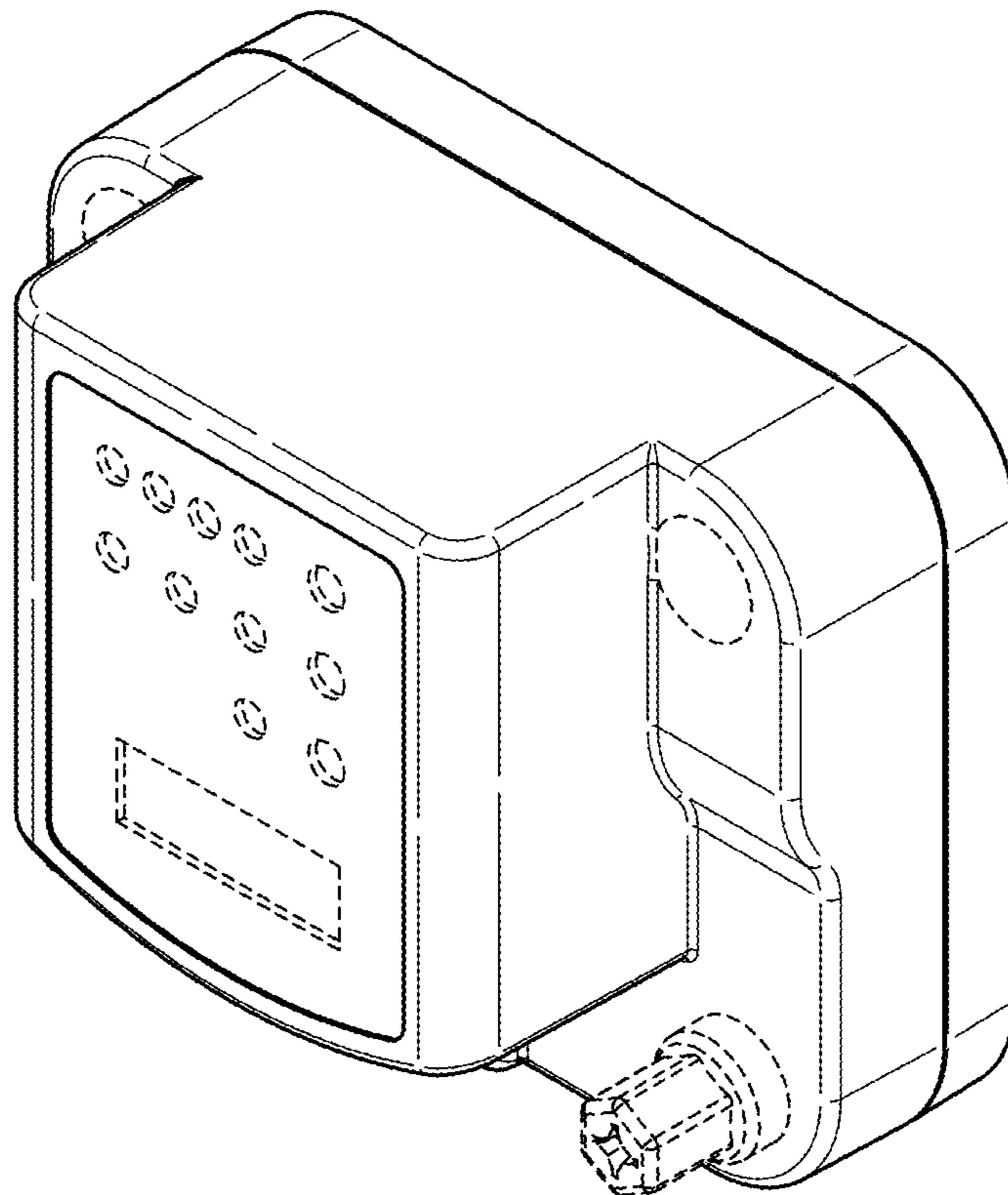


FIG. 1

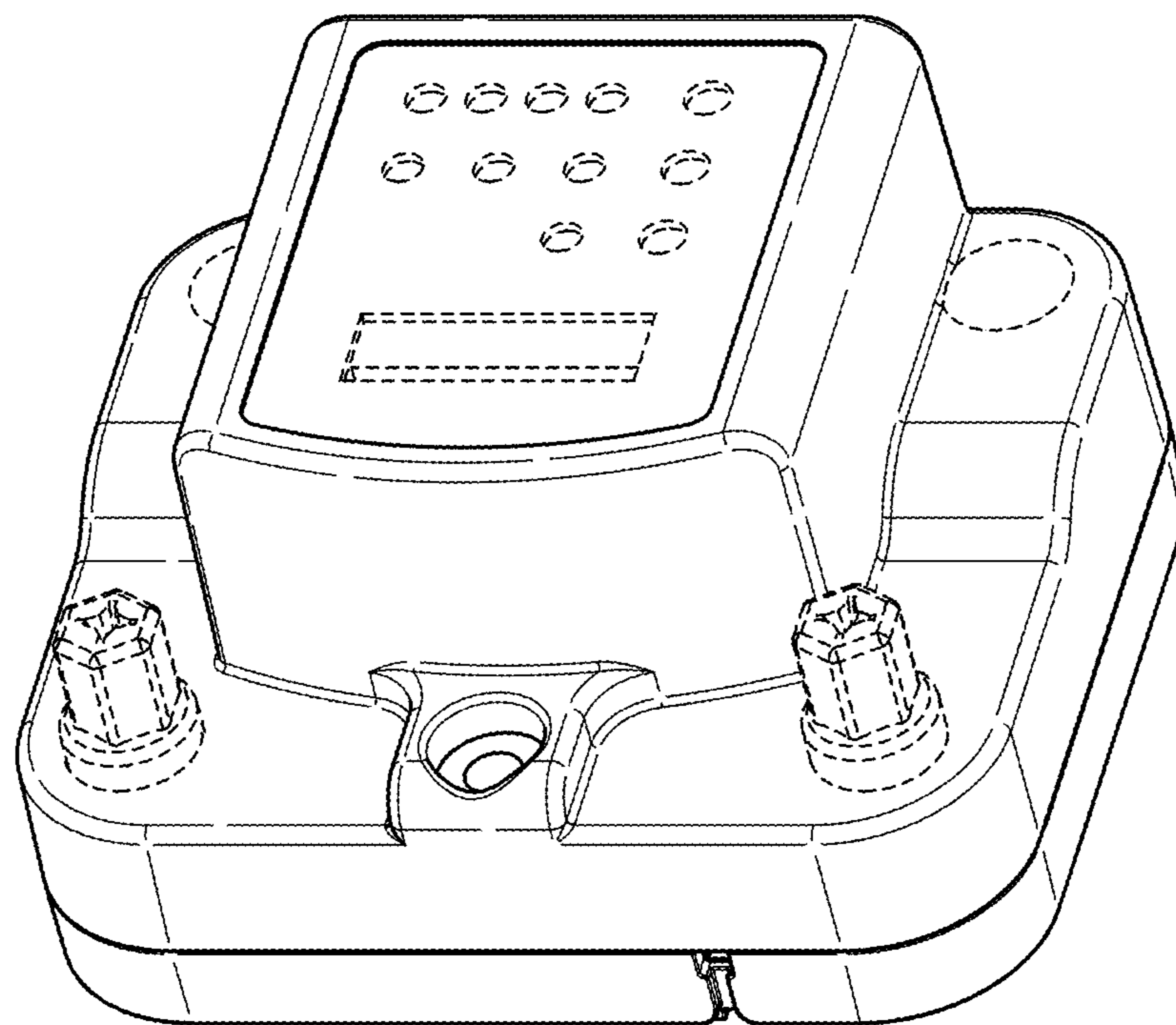


FIG. 2

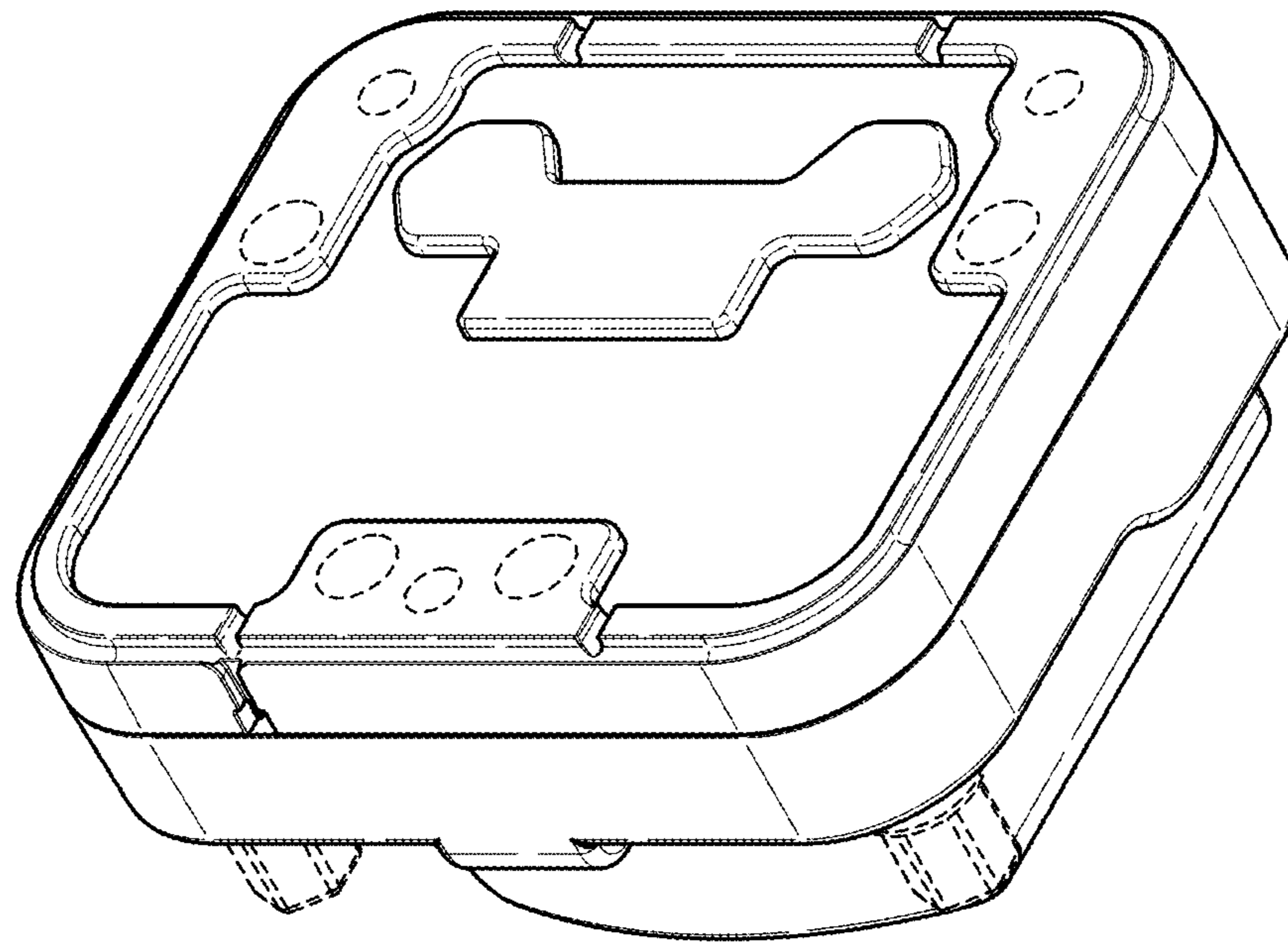


FIG. 3

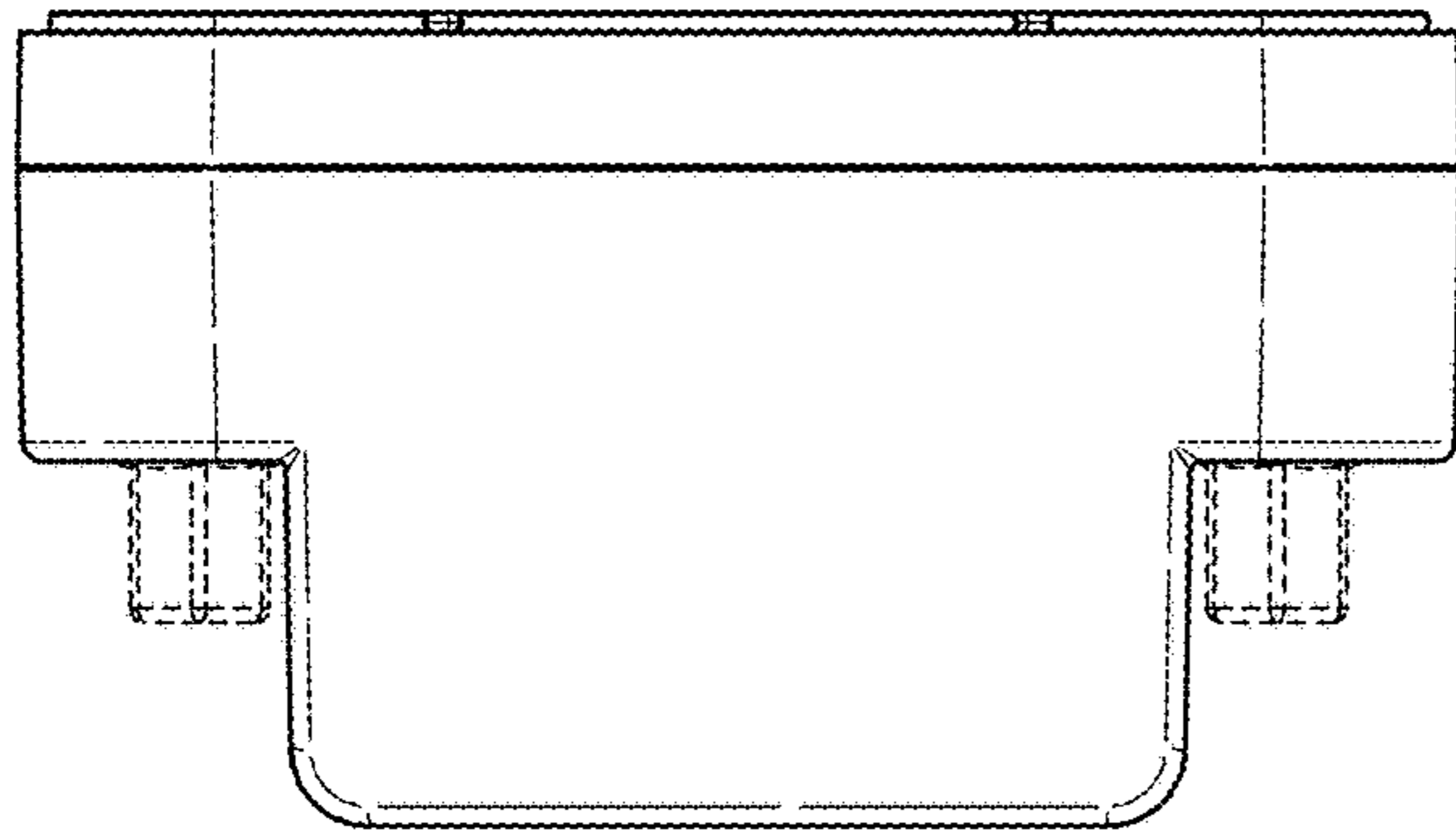


FIG. 4

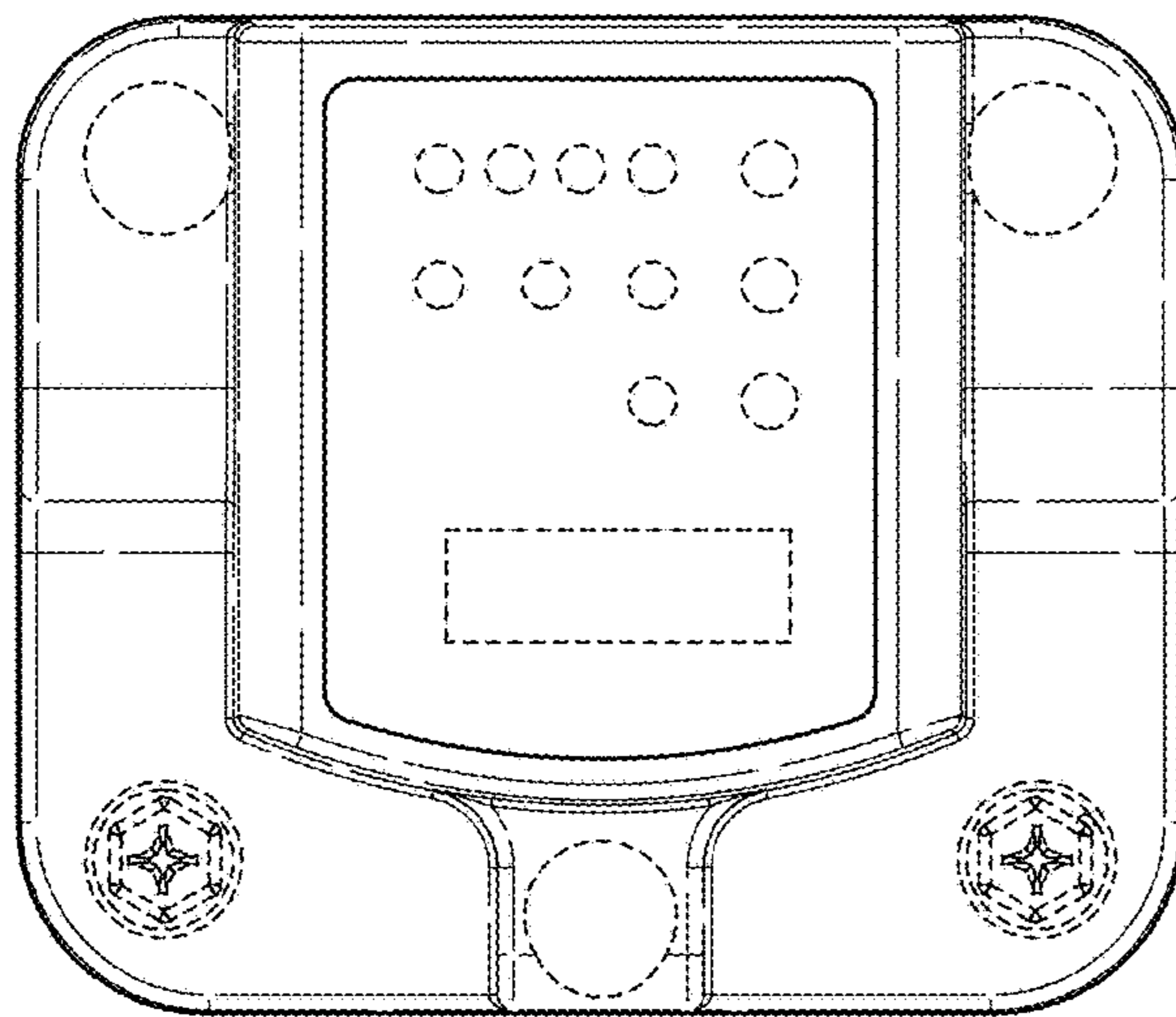


FIG. 5

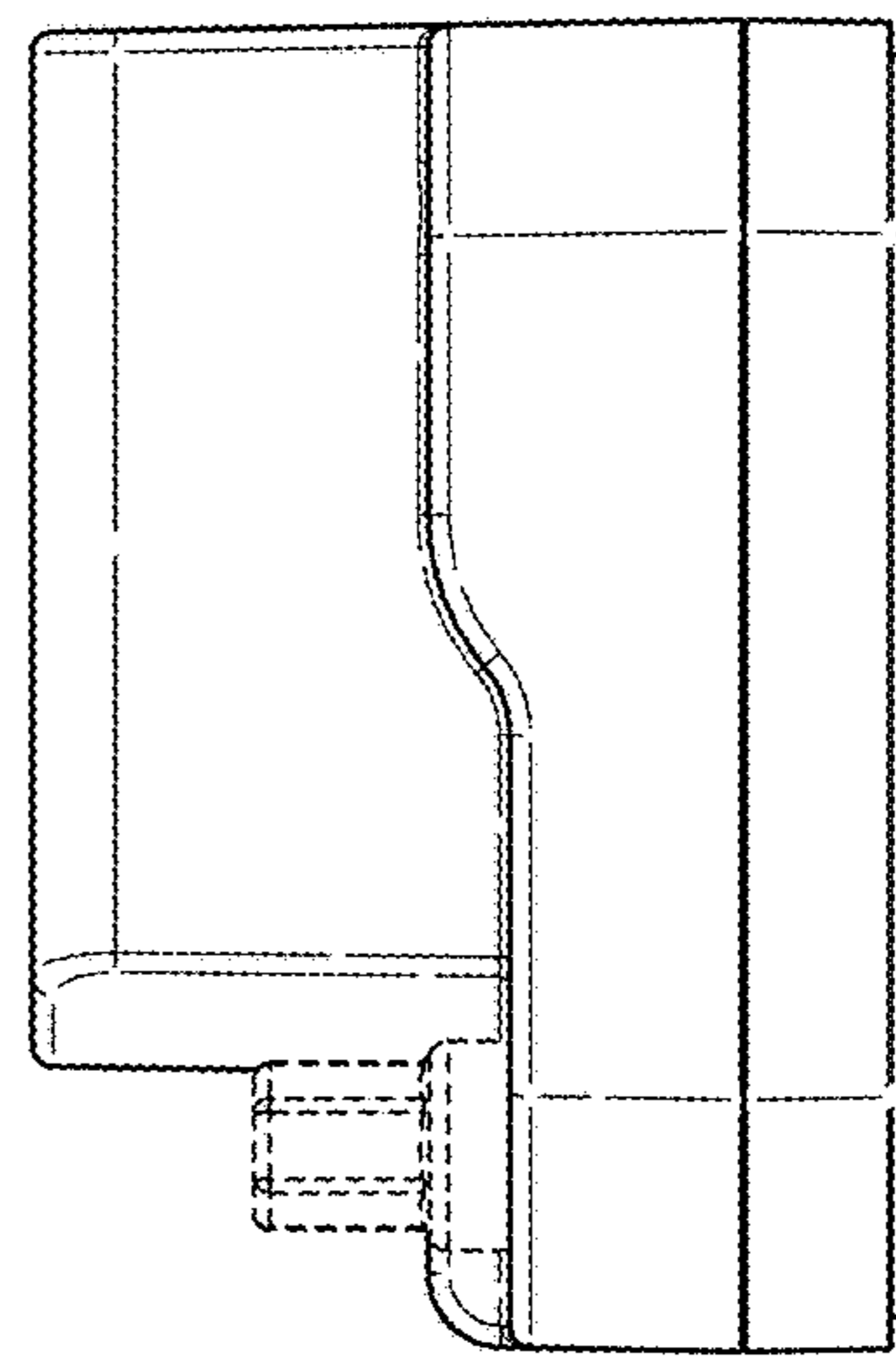


FIG. 6

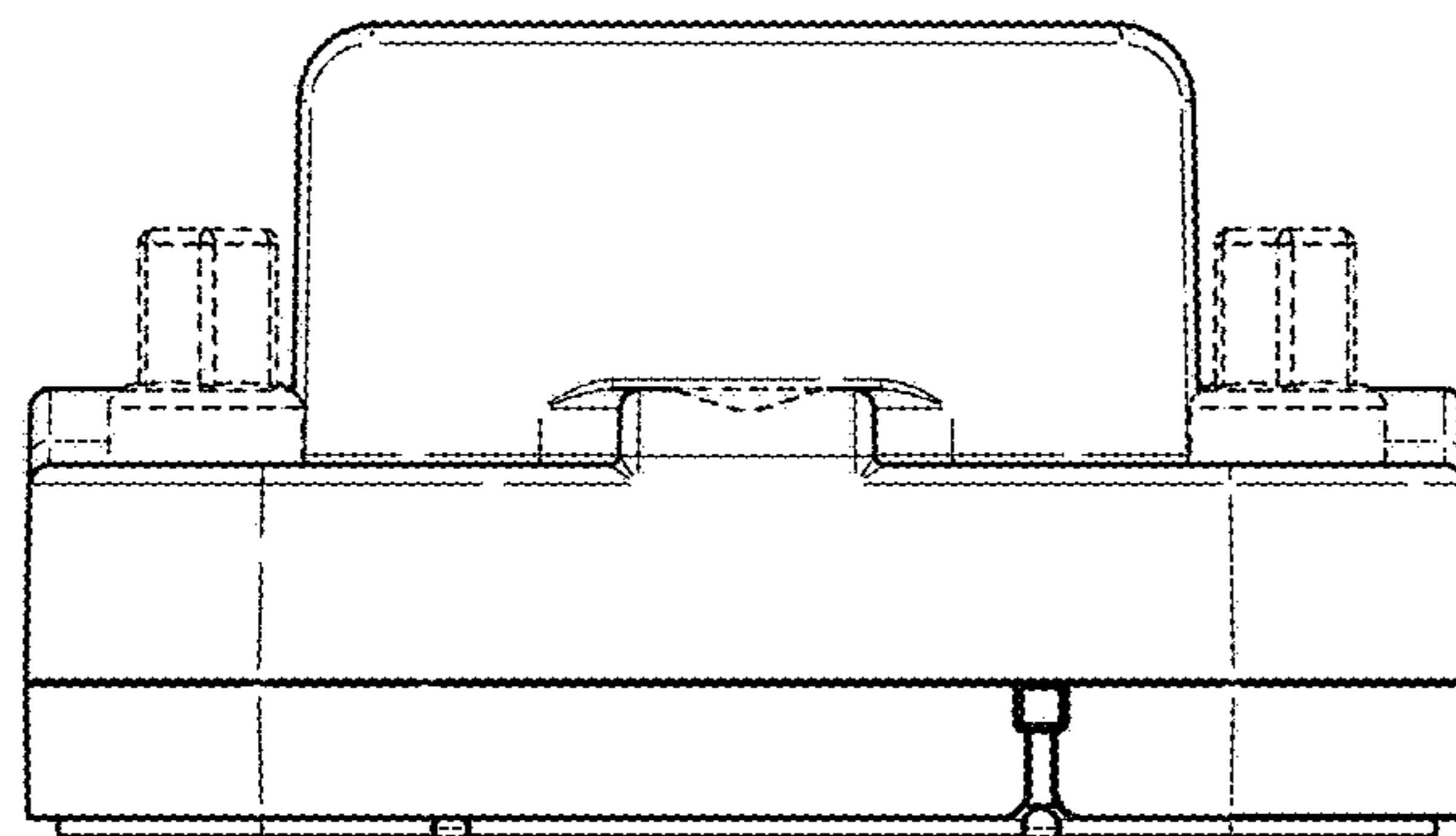


FIG. 7

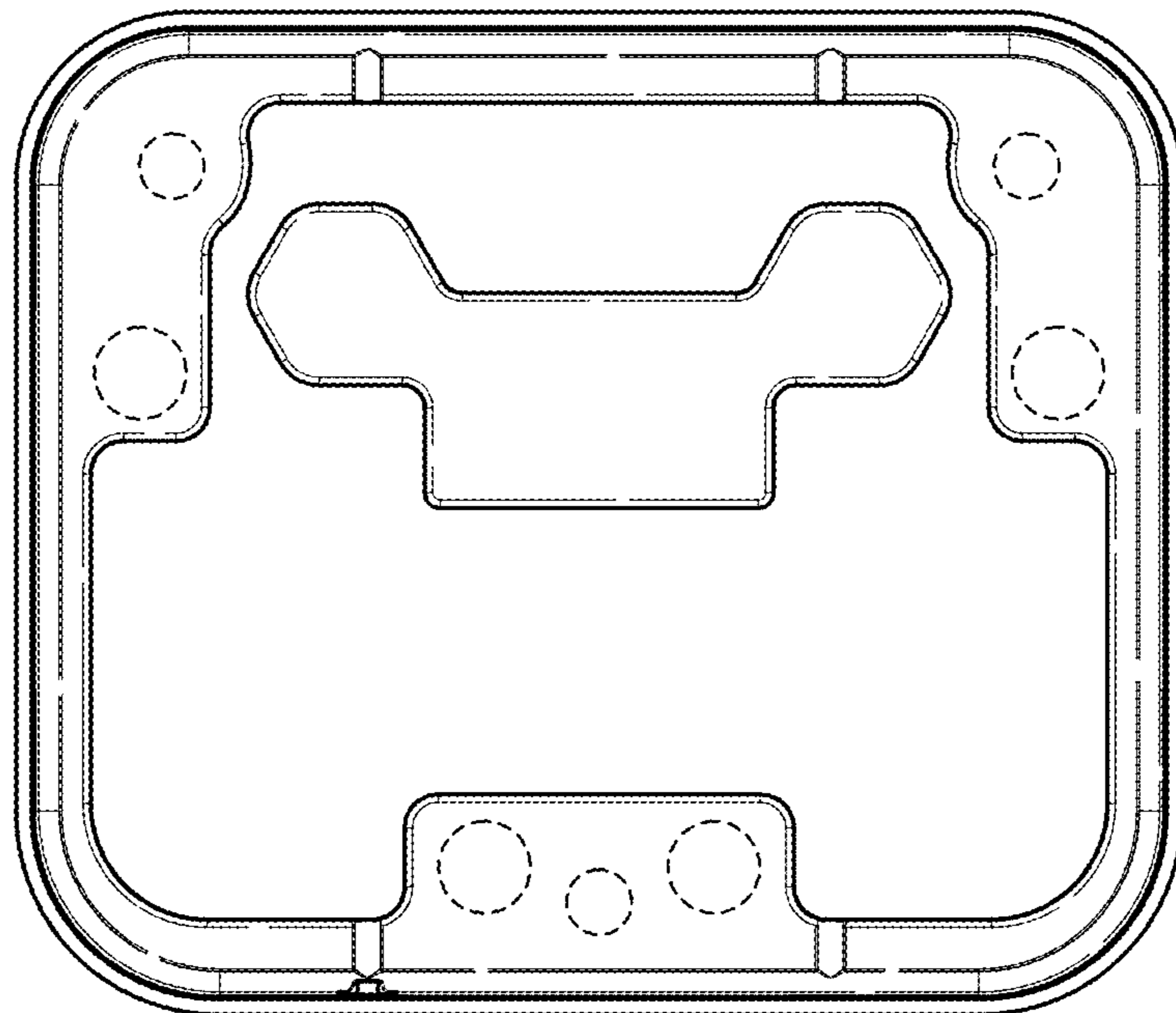


FIG. 8