



US00D813172S

(12) **United States Design Patent**
Valivainio et al.

(10) **Patent No.:** **US D813,172 S**
(45) **Date of Patent:** **** Mar. 20, 2018**

(54) **CONNECTION BAR**

(71) Applicant: **ABB OY**, Helsinki (FI)

(72) Inventors: **Mikko Valivainio**, Vaasa (FI); **Kai Uusitalo**, Vaasa (FI); **Oskari Uitto**, Vaasa (FI)

(73) Assignee: **ABB Oy**, Helsinki (FI)

(**) Term: **15 Years**

(21) Appl. No.: **29/528,769**

(22) Filed: **Jun. 1, 2015**

(30) **Foreign Application Priority Data**

Dec. 1, 2014 (EM) 002588327

(51) **LOC (11) Cl.** **13-03**

(52) **U.S. Cl.**
USPC **D13/158**

(58) **Field of Classification Search**
USPC D13/110, 118, 123, 147, 153, 154,
D13/158-162.1, 169, 164, 171, 173,
D13/177-179, 184, 199; D8/349, 354,
D8/382, 499
CPC H01L 23/34; H01L 23/36; H01L 23/40;
H05K 7/20; H01R 13/46; H01R 31/06;
H01H 1/00; H01H 1/20; H01H 1/58;
H01H 71/08; H01H 73/20; H01H 73/045;
H01H 33/53; H01H 45/00; H01H 9/02;
H01H 9/20; H01H 9/28; H01H 71/02;
H01H 71/10; H02B 1/26
See application file for complete search history.

(56) **References Cited**

U.S. PATENT DOCUMENTS

D211,029 S * 5/1968 Ettinger et al. D13/118
5,574,626 A * 11/1996 Smith H01L 23/367
165/185

D529,874 S * 10/2006 Ness D13/179
7,391,614 B2 * 6/2008 Artman H01L 23/367
165/185
7,760,509 B1 * 7/2010 Zhao H05K 7/20509
165/185
D642,140 S * 7/2011 Yu D13/179
D642,993 S * 8/2011 Yu D13/179
D714,228 S * 9/2014 Valivainio D13/158
D731,275 S * 6/2015 Hochman D8/65
D731,440 S * 6/2015 Valivainio D13/158
D755,730 S * 5/2016 Valivainio D13/158
D755,731 S * 5/2016 Valivainio D13/158
D755,740 S * 5/2016 Chen D13/179

* cited by examiner

Primary Examiner — Thomas Johannes

Assistant Examiner — Shawn T Gingrich

(74) *Attorney, Agent, or Firm* — Taft Stettinius & Hollister LLP

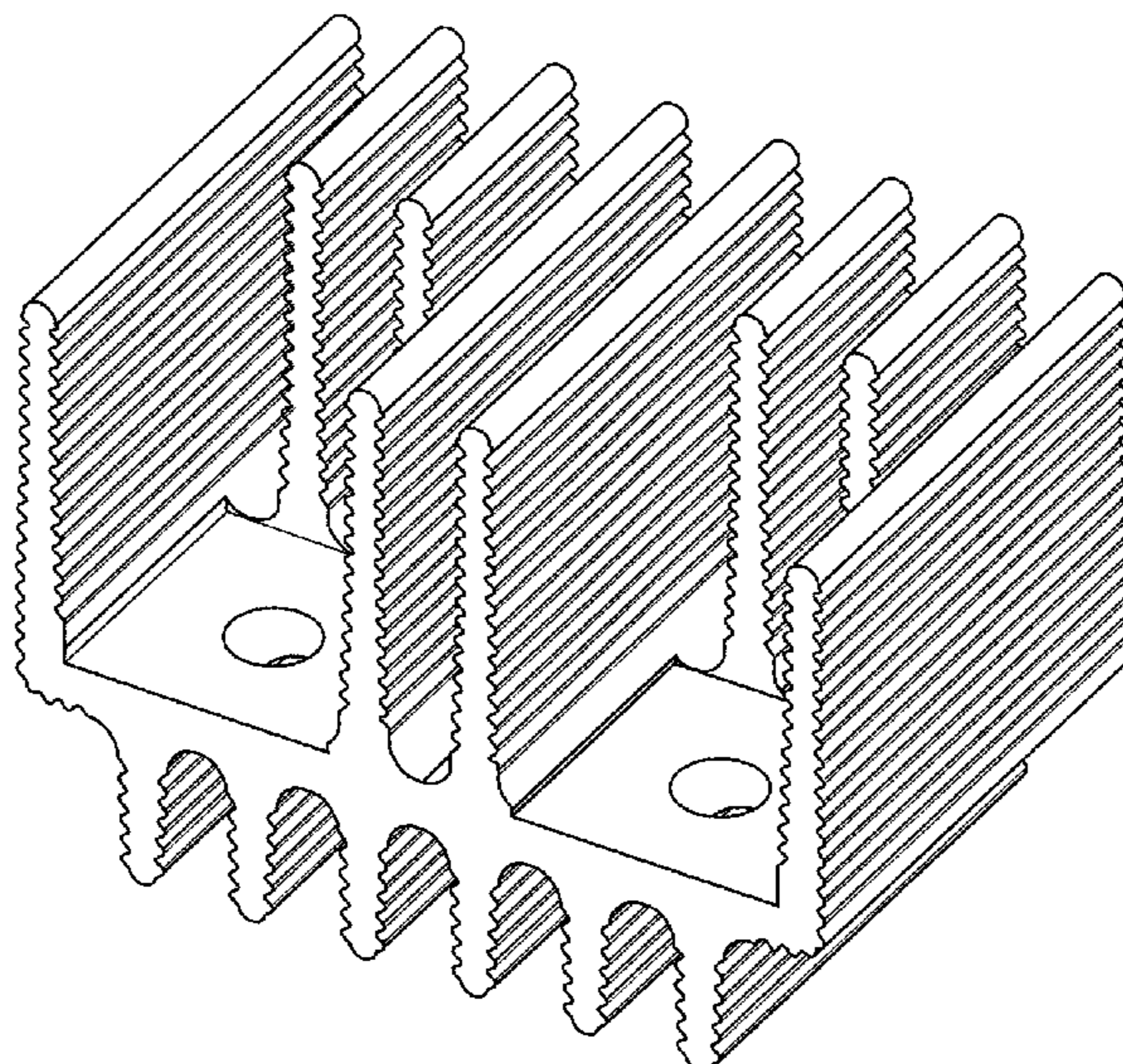
(57) **CLAIM**

The ornamental design for a connection bar, as shown and described.

DESCRIPTION

FIG. 1 is a perspective view of connection bar showing our new design.
FIG. 2 is a front elevational view thereof.
FIG. 3 is a rear elevational view thereof.
FIG. 4 is a left side elevational view thereof.
FIG. 5 is a right side elevational view thereof.
FIG. 6 is a top plan view thereof; and,
FIG. 7 is a bottom plan view thereof.

1 Claim, 7 Drawing Sheets



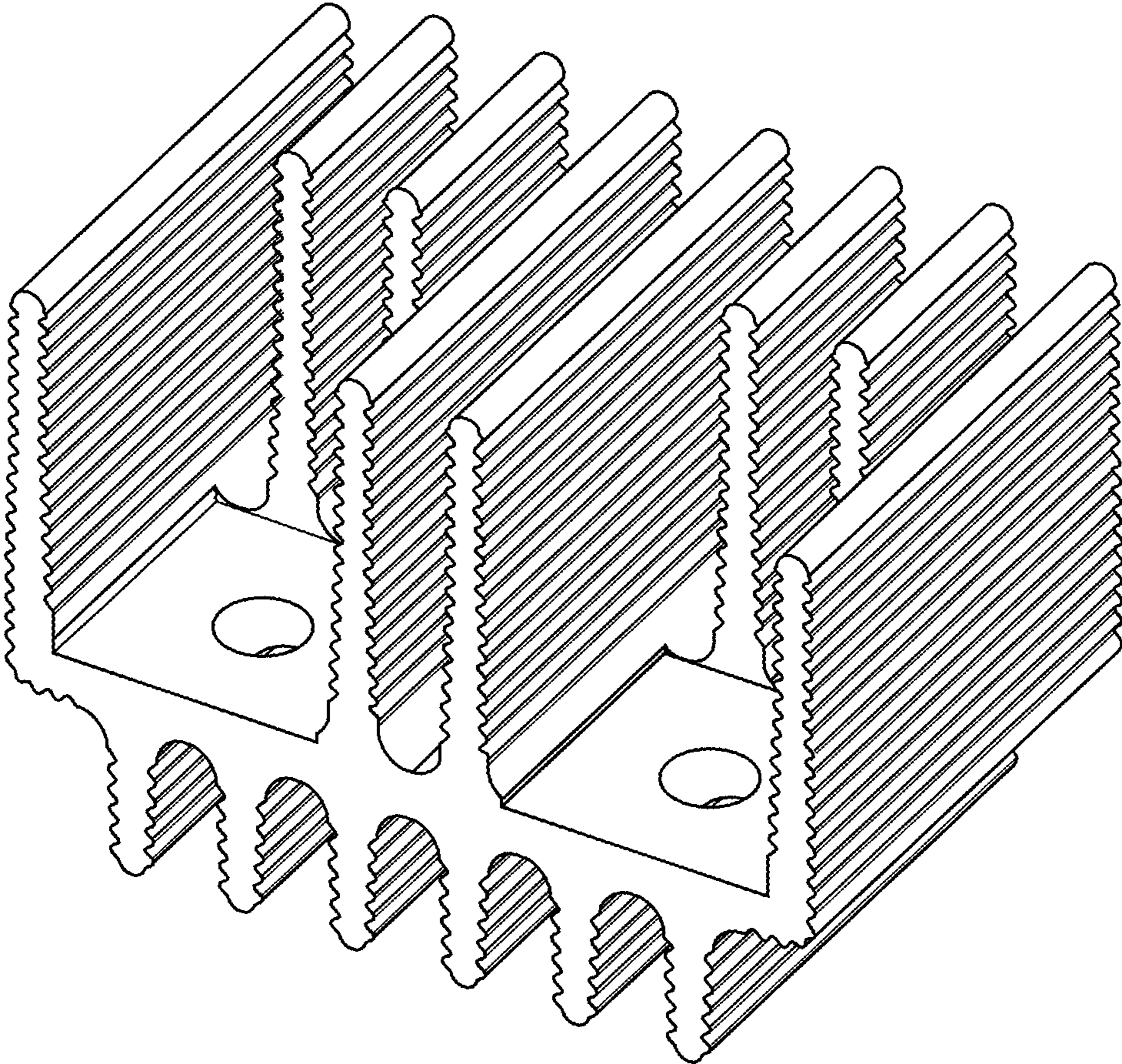


FIG. 1

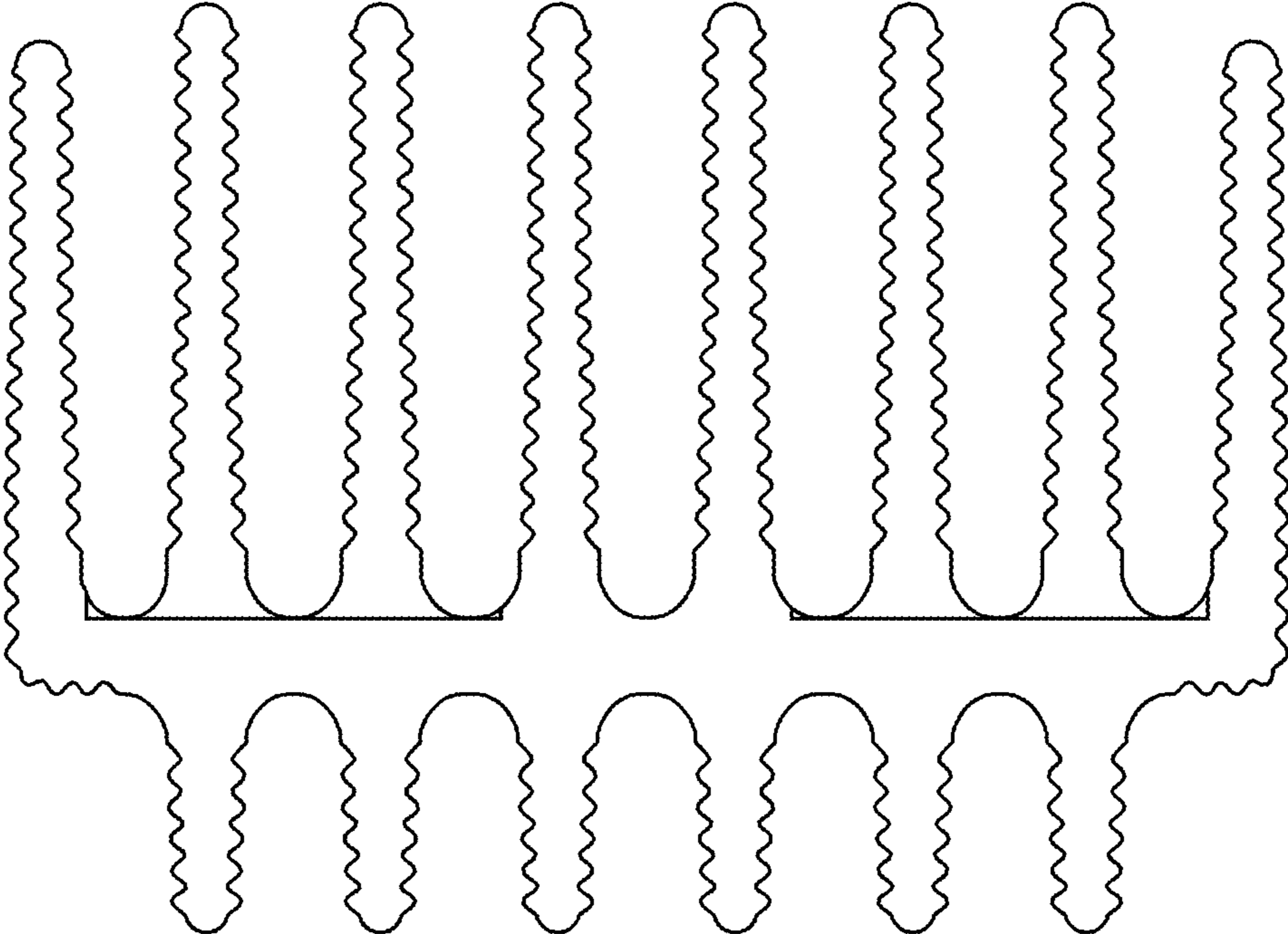


FIG. 2

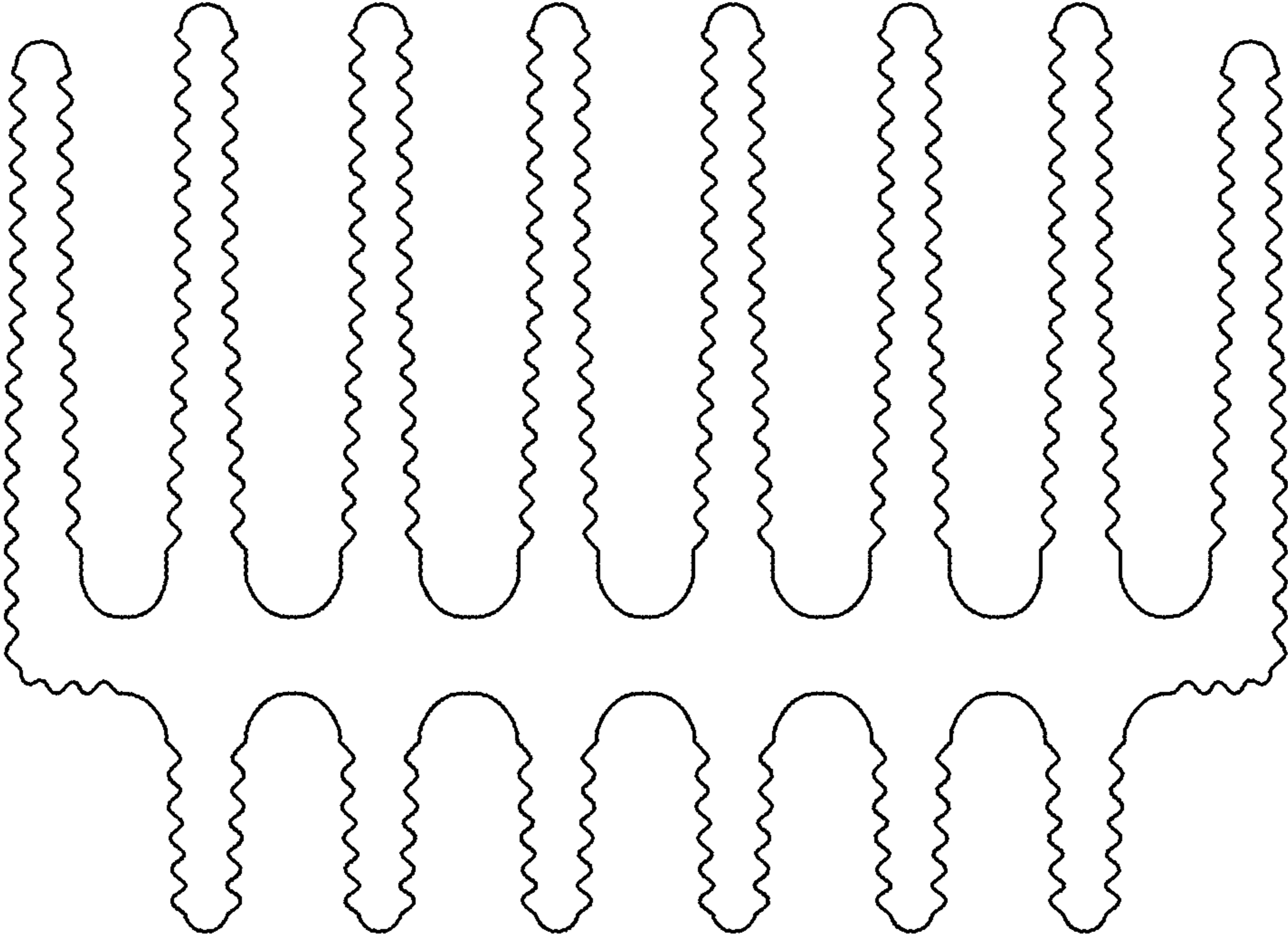


FIG. 3

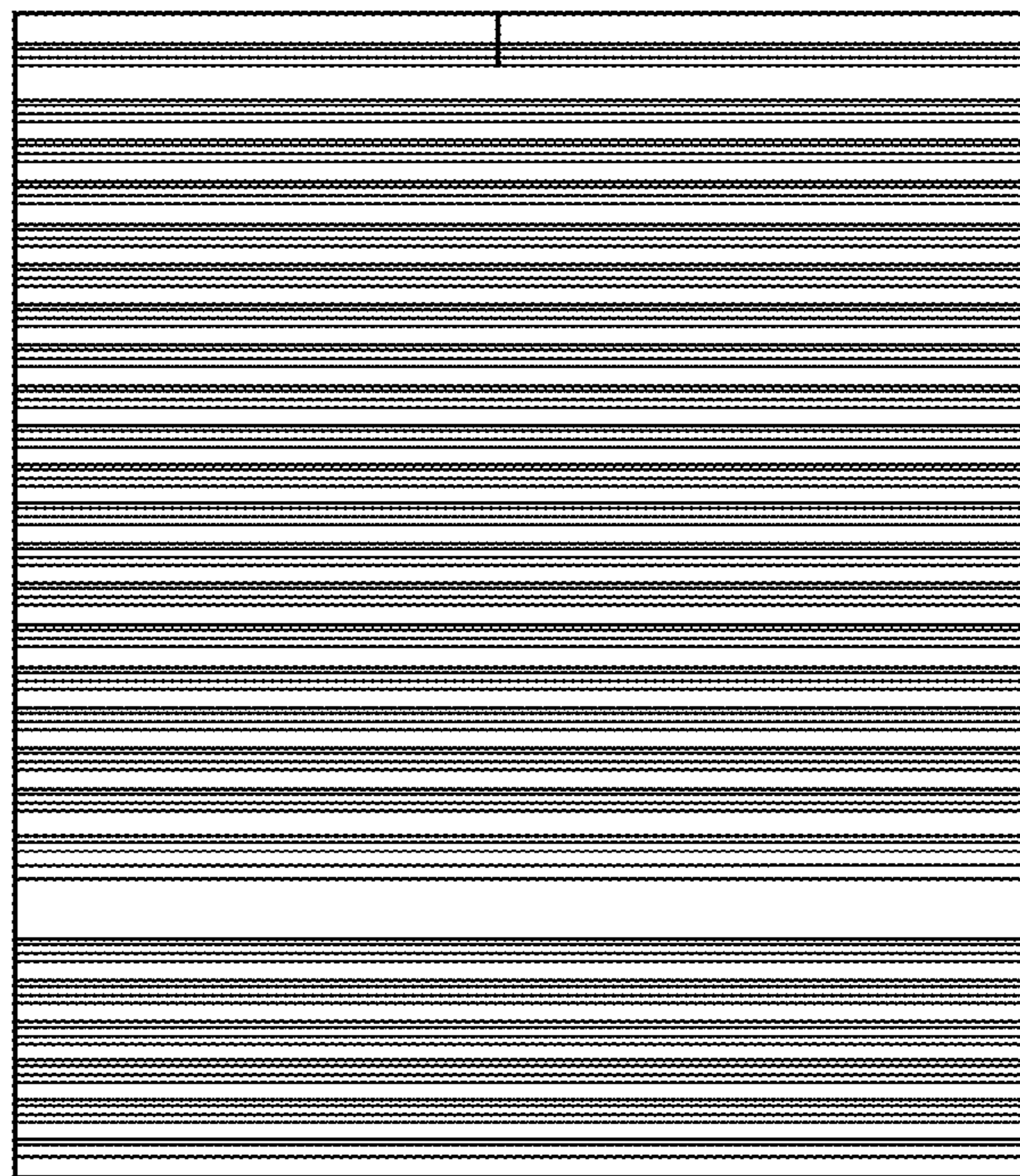


FIG. 4

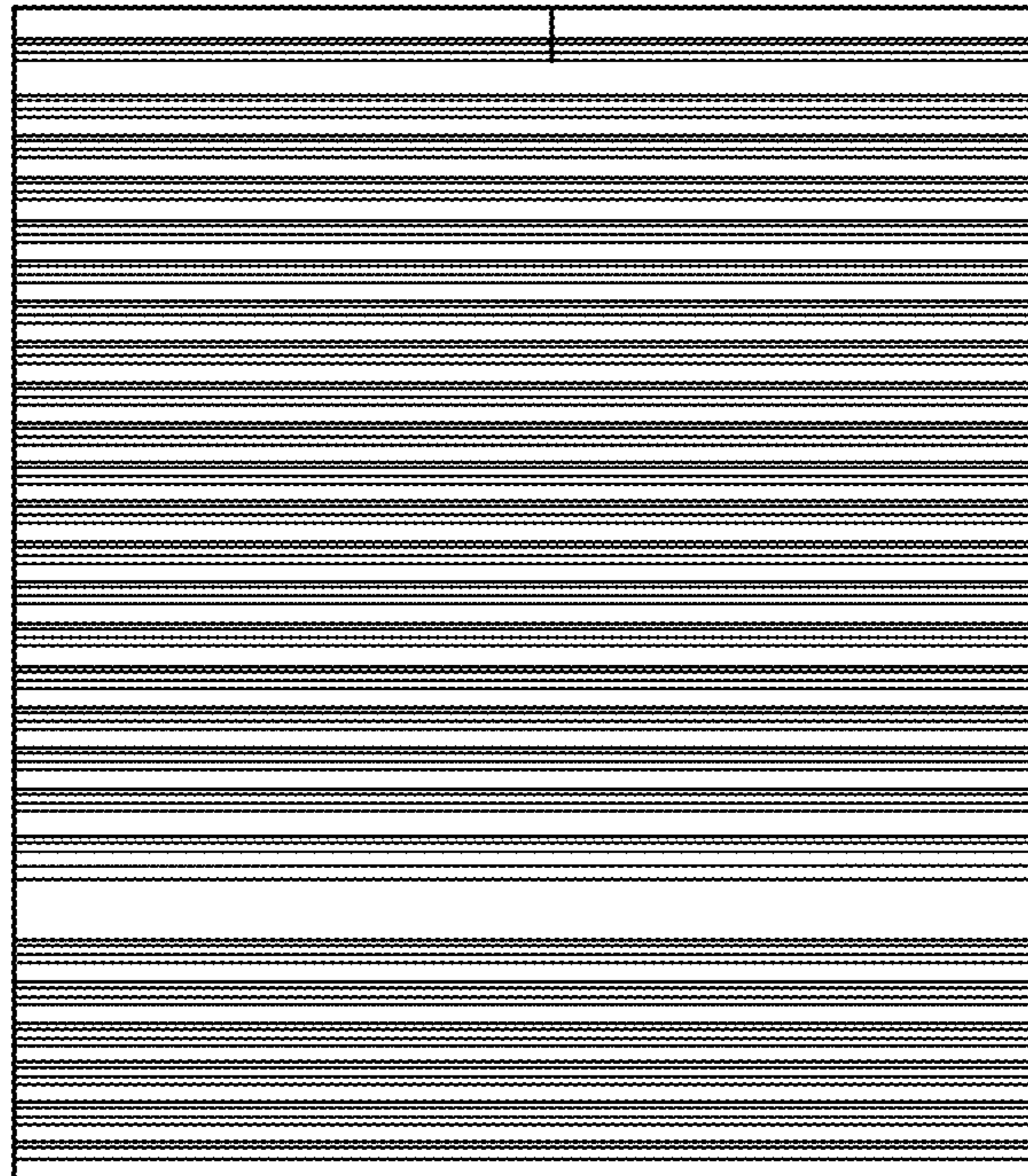


FIG. 5

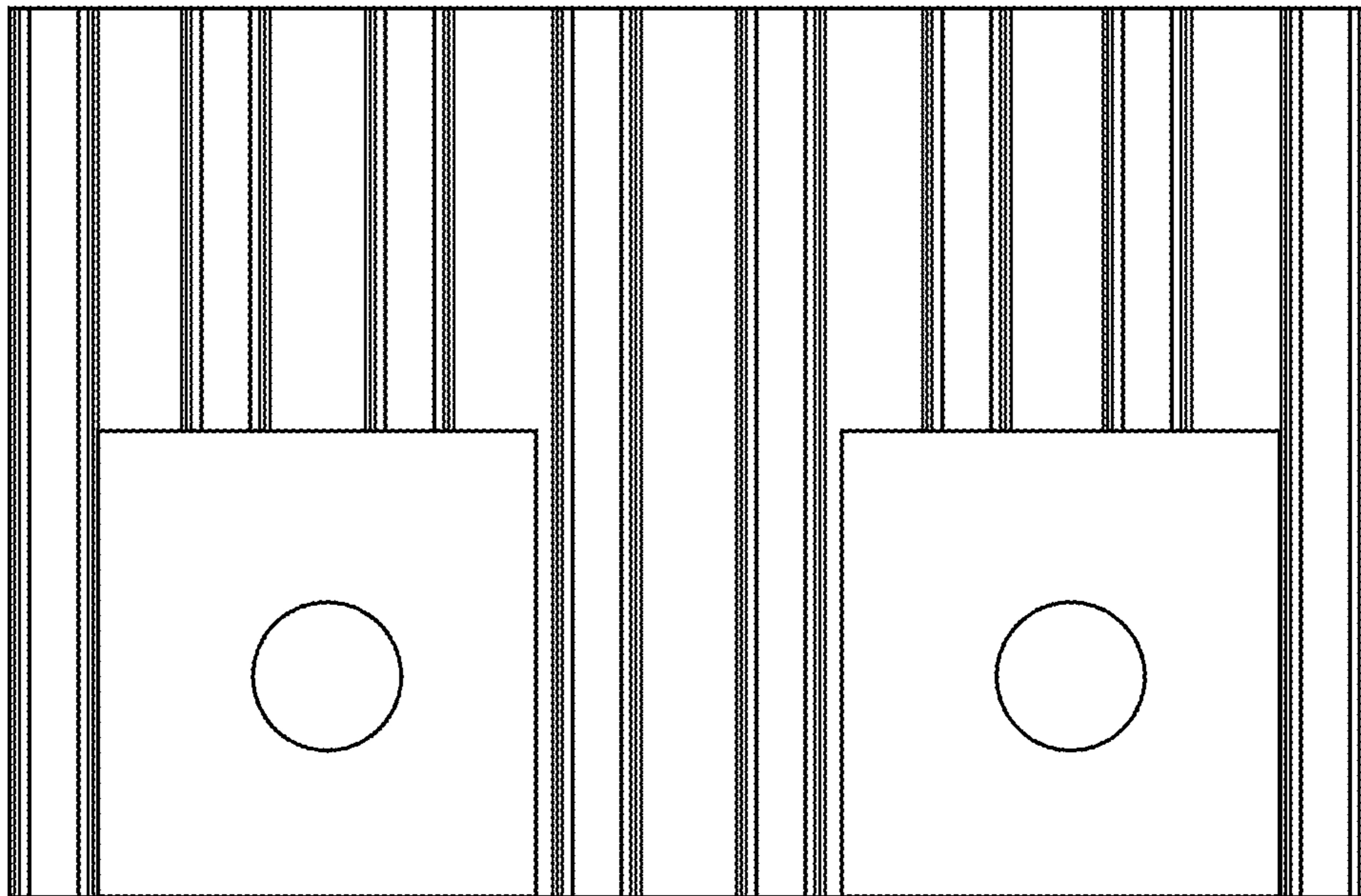


FIG. 6

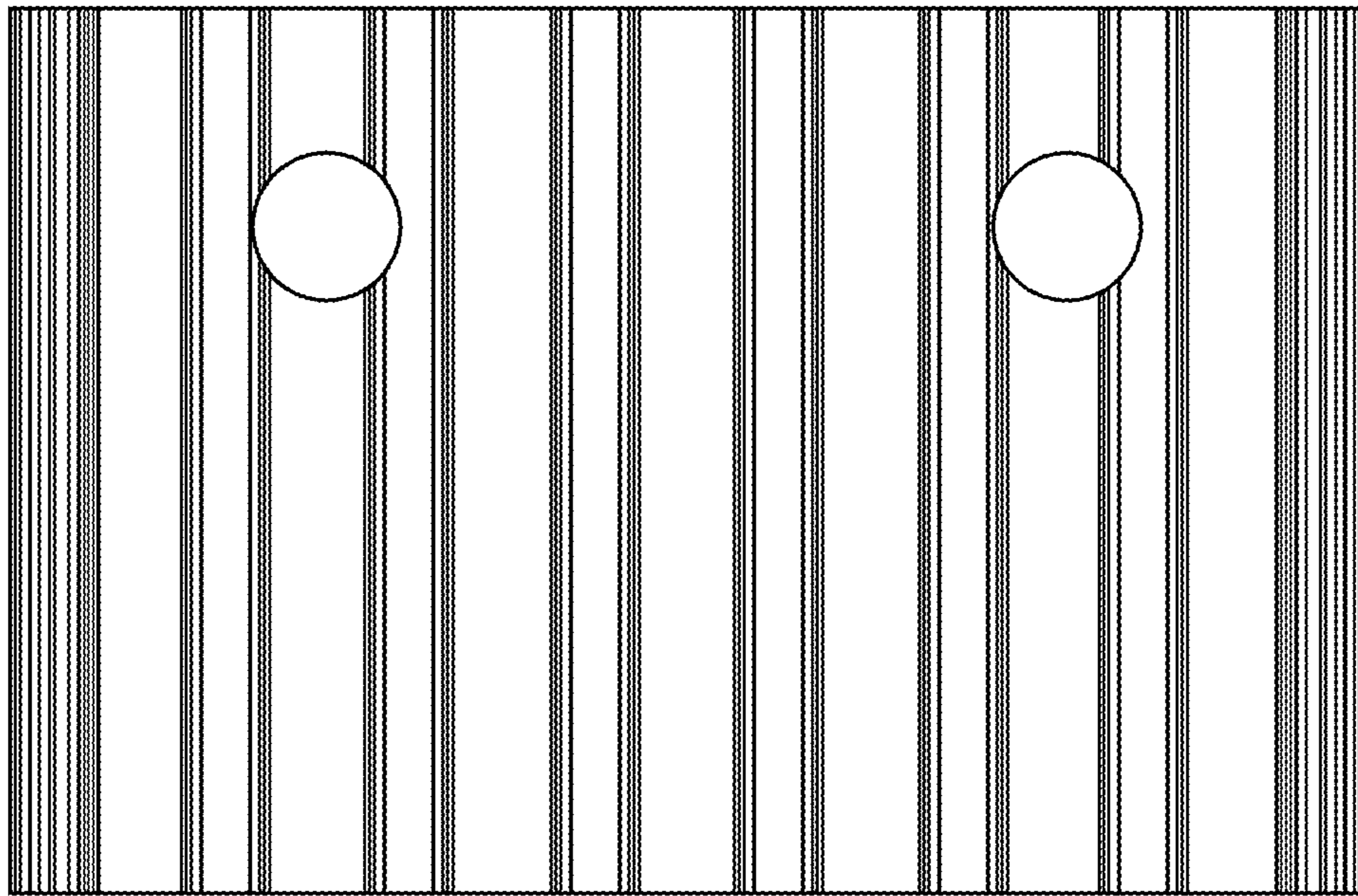


FIG. 7