



US00D813171S

(12) **United States Design Patent**
Chaillet et al.

(10) **Patent No.:** **US D813,171 S**
(45) **Date of Patent:** **** Mar. 20, 2018**

(54) **COVER FOR AN ELECTRIC CONNECTOR**

(71) Applicant: **ABB Schweiz AG**, Baden (CH)

(72) Inventors: **Alexandre Chaillet**, Lyons (FR);
Karine Barthes, Bron (FR); **Philippe France**, Chazelles sur Lyon (FR)

(73) Assignee: **ABB SCHWEIZ AG**, Baden (CH)

(**) Term: **15 Years**

(21) Appl. No.: **29/579,970**

(22) Filed: **Oct. 4, 2016**

(30) **Foreign Application Priority Data**

Apr. 8, 2016 (EM) 003060540-0001

(51) **LOC (11) Cl.** **13-03**

(52) **U.S. Cl.**
USPC **D13/154**

(58) **Field of Classification Search**
USPC D13/133, 134, 147, 148, 152, 154, 156;
D14/256
CPC G01R 1/0408; G01R 1/0433; G01R 1/18;
G01R 22/068; G01R 35/04; G01R
31/2829; H05K 9/0007; H05K 9/0018;
H05K 9/0049; H01R 13/00; H01R
13/005; H01R 13/02; H01R 13/04; H01R
13/10; H01R 13/20

See application file for complete search history.

(56) **References Cited**

U.S. PATENT DOCUMENTS

D335,486 S * 5/1993 Fatalo D13/147
6,089,894 A * 7/2000 Fletcher H01R 13/6315
439/247
6,448,803 B1 * 9/2002 Chung G01R 1/0408
324/756.02
D573,098 S * 7/2008 Bergmann D13/133

D591,185 S * 4/2009 Garcia-Maurino
Delas D10/100
D626,508 S * 11/2010 So D13/147
D703,613 S * 4/2014 Battaglia D13/147
D718,243 S * 11/2014 Scholeno D13/147
D743,897 S * 11/2015 Krivonak D13/147
2006/0071656 A1 * 4/2006 Joung G01R 1/0408
324/757.01
2007/0270014 A1 * 11/2007 Morinari G01R 1/0408
439/352
2007/0285106 A1 * 12/2007 Henry G01R 1/0408
324/555
2011/0031095 A1 * 2/2011 Di Maio H01H 71/0228
200/293
2011/0151689 A1 * 6/2011 Lin G01R 1/0408
439/66
2011/0291667 A1 * 12/2011 Belhumeur H01R 31/06
324/555
2013/0316561 A1 * 11/2013 Urban H01R 13/035
439/345
2015/0268270 A1 * 9/2015 Hao G06F 11/273
324/754.11

(Continued)

Primary Examiner — Selina Sikder

(74) *Attorney, Agent, or Firm* — Cantor Colburn LLP

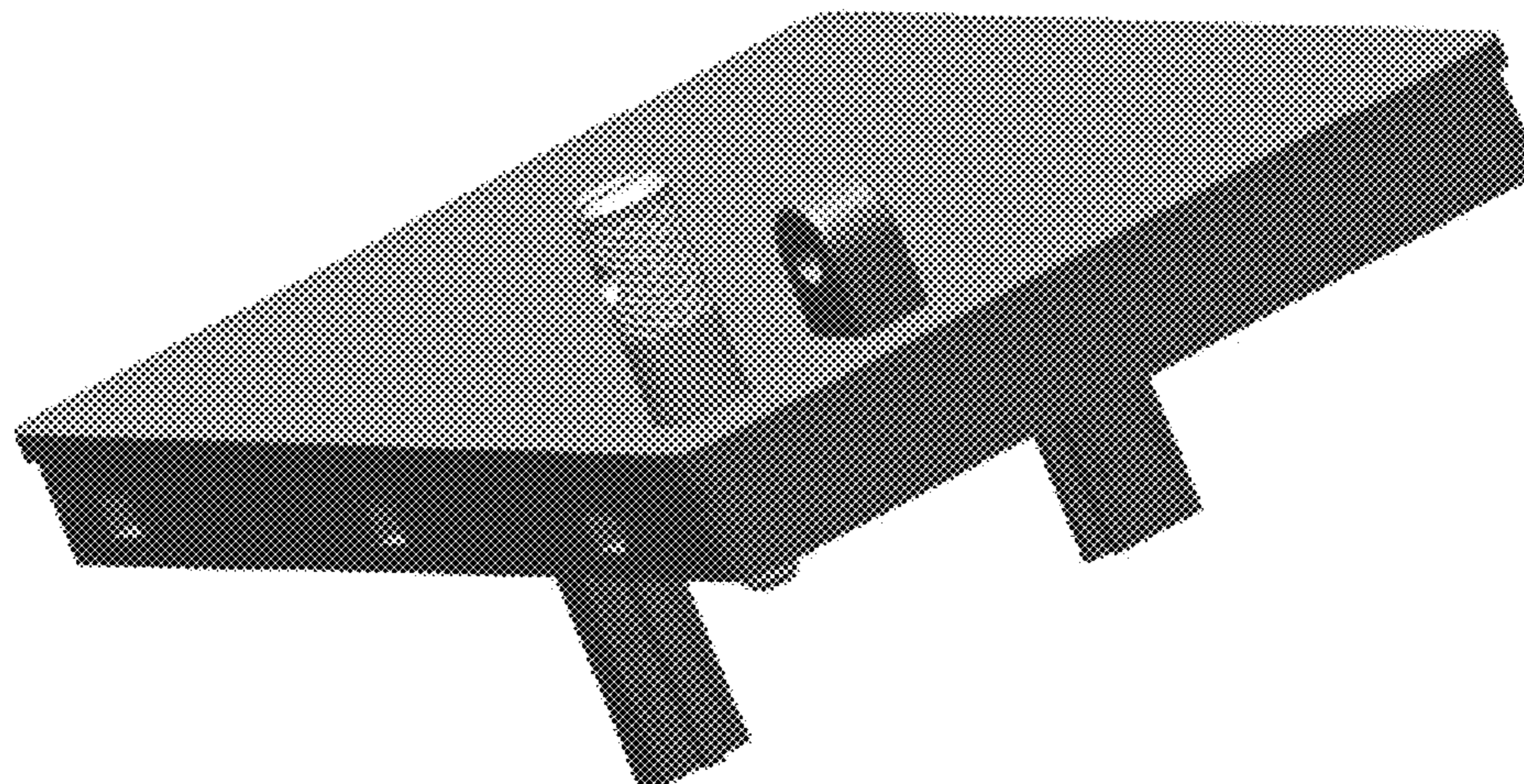
(57) **CLAIM**

We claim, the ornamental design for an cover for an electric connector, as shown and described.

DESCRIPTION

FIG. 1 is a perspective view of an cover for an electric connector, showing our new design;
FIG. 2 is a front elevation view thereof;
FIG. 3 is a first side view thereof;
FIG. 4 is a second side view thereof, taken opposite from FIG. 3;
FIG. 5 is a rear elevation view thereof;
FIG. 6 is a top plan view thereof; and,
FIG. 7 is a bottom plan view thereof.

1 Claim, 7 Drawing Sheets



(56)

References Cited

U.S. PATENT DOCUMENTS

2016/0187378 A1* 6/2016 Nagata G01R 1/0408
324/756.05
2017/0292972 A1* 10/2017 France G01R 1/0408
2017/0303446 A1* 10/2017 Johansson H05K 9/0018

* cited by examiner

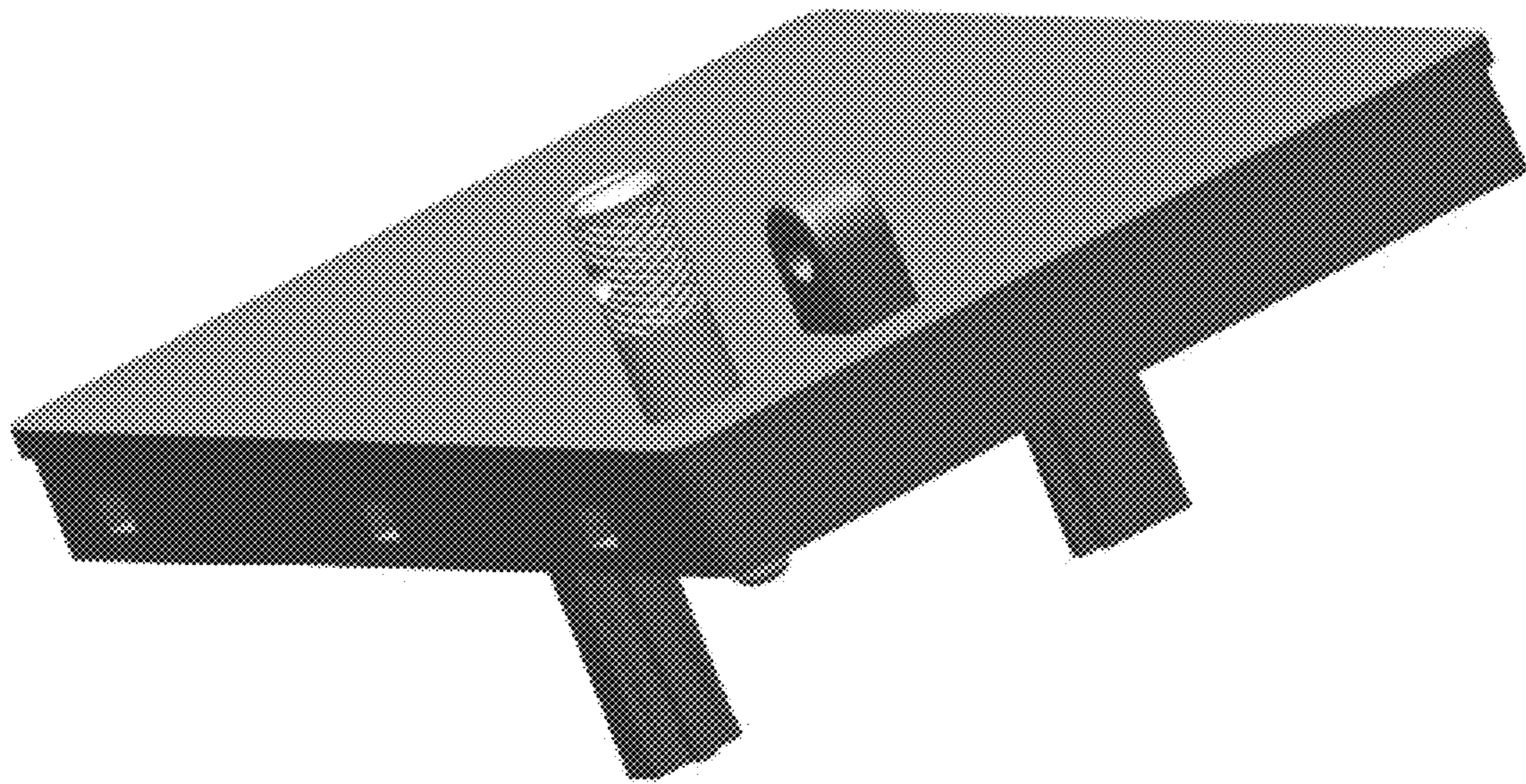


Fig. 1

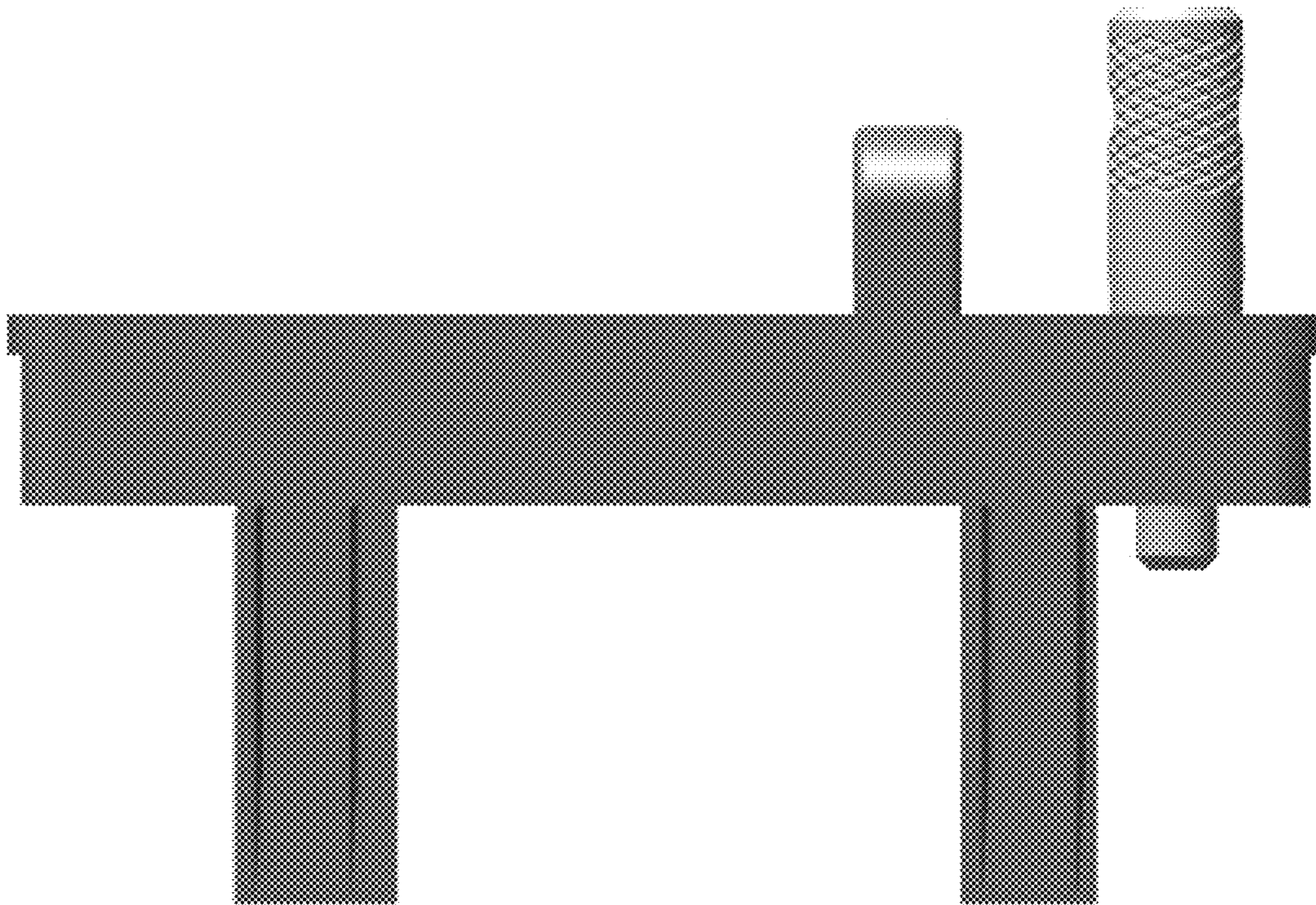


Fig. 2

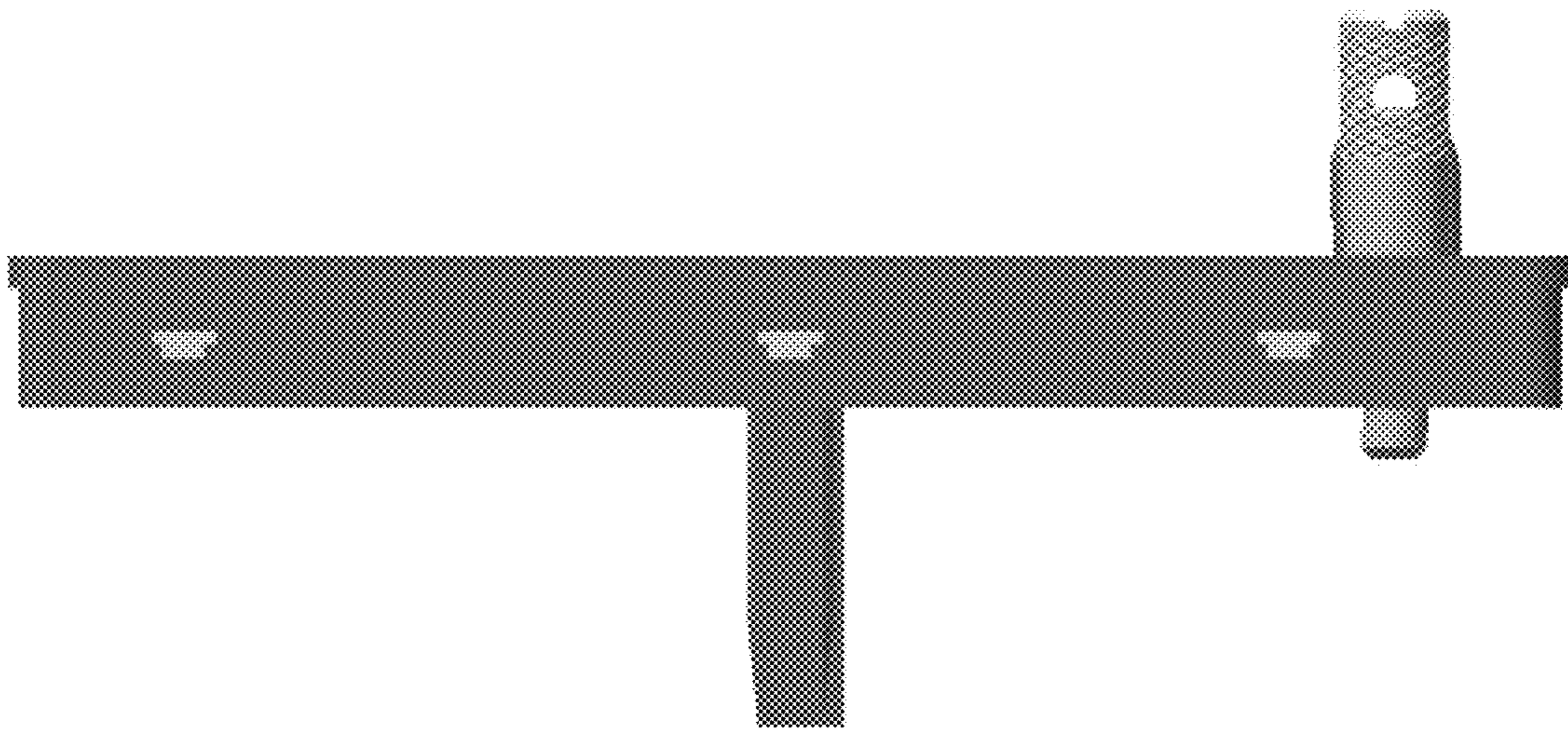


Fig. 3

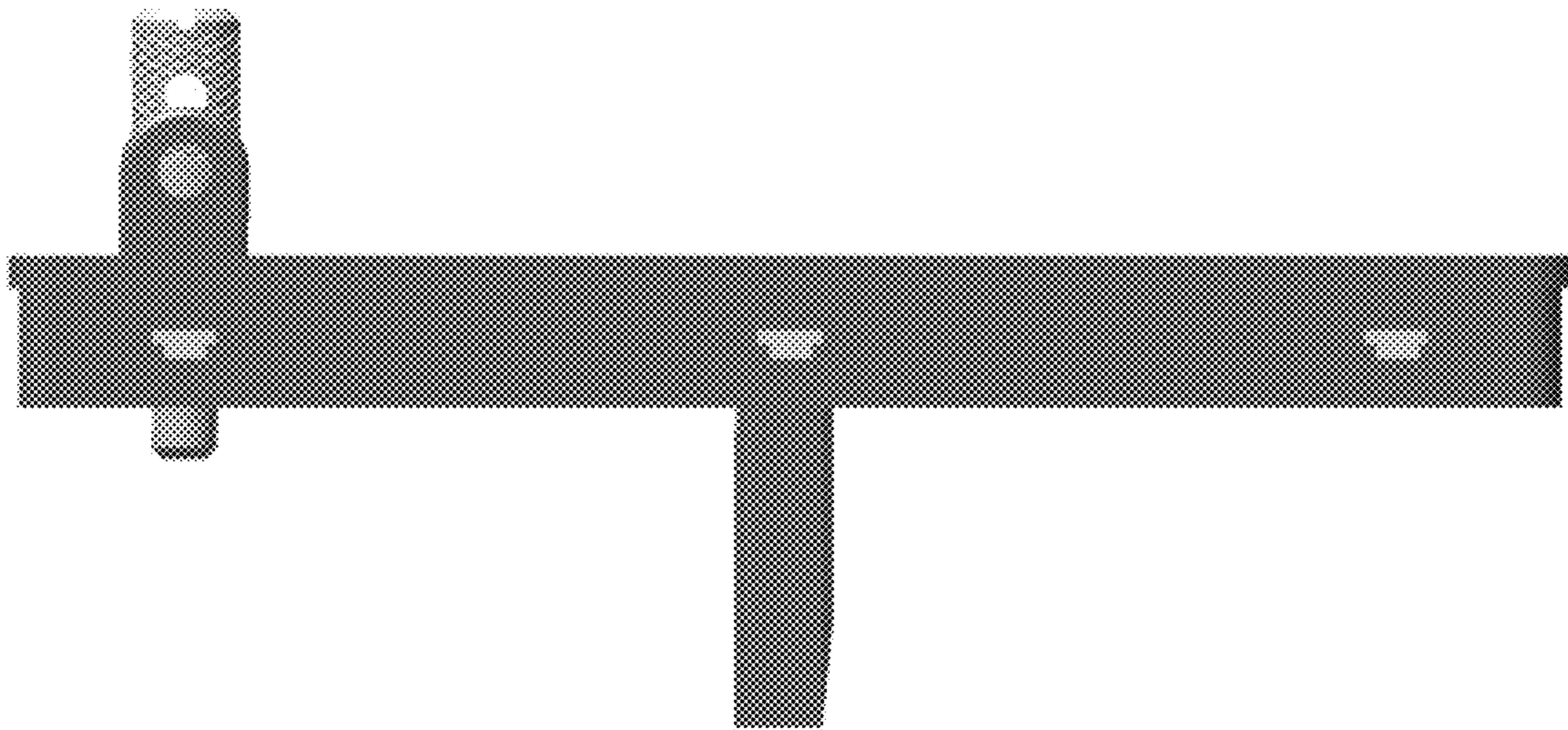


Fig. 4

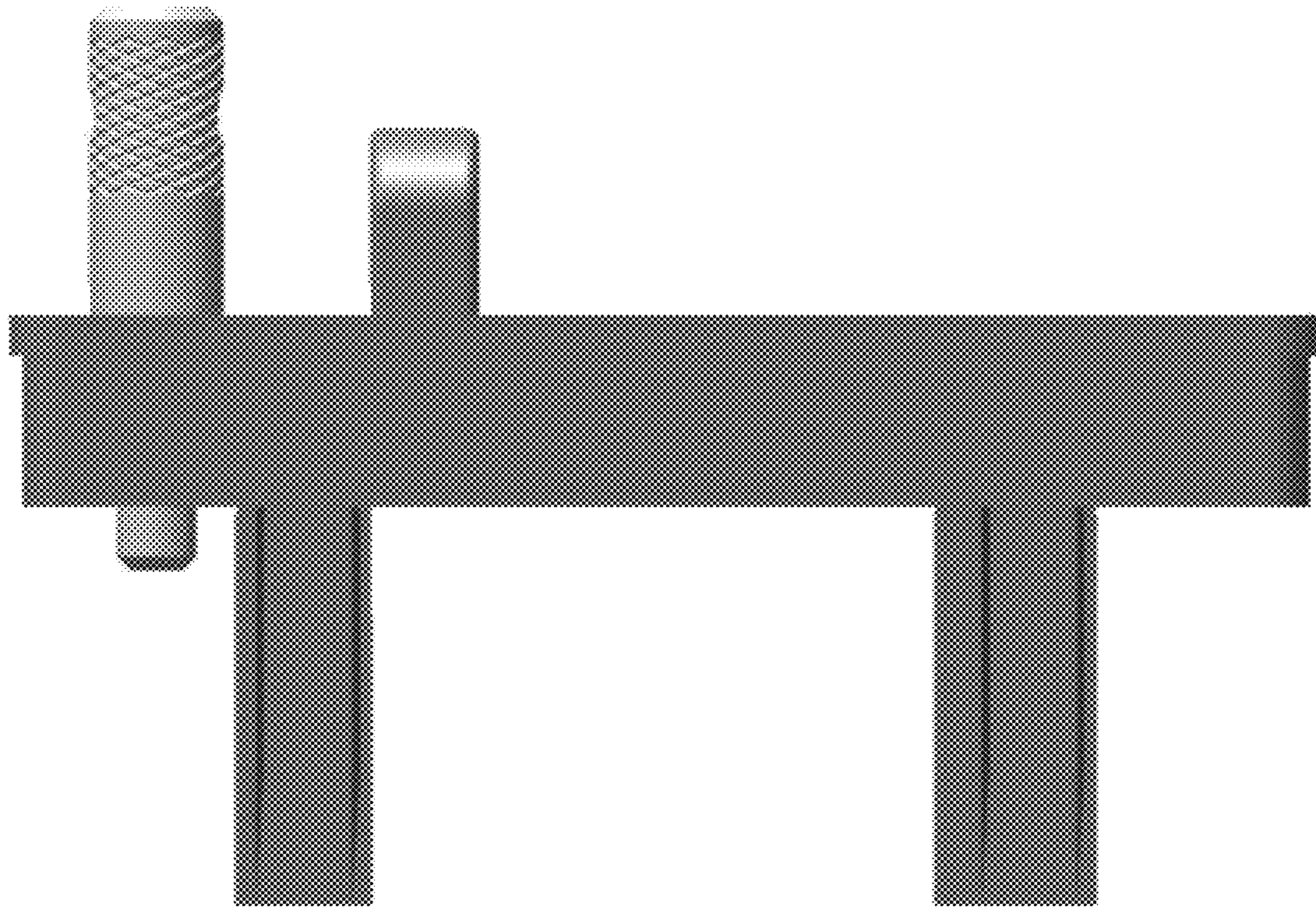


Fig. 5



Fig. 6

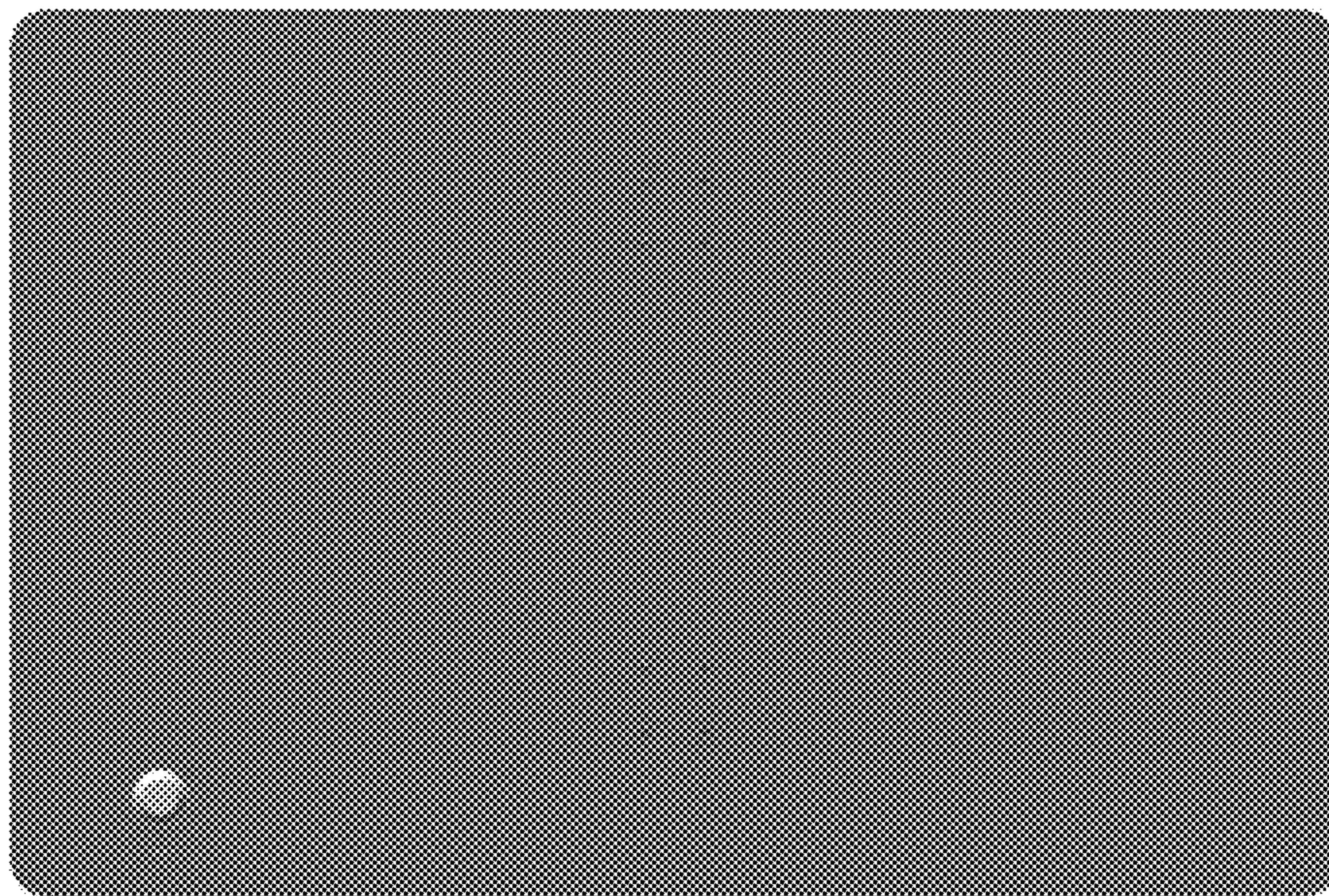


Fig. 7