



US00D813169S

(12) **United States Design Patent**
Chen et al.

(10) **Patent No.:** **US D813,169 S**
(45) **Date of Patent:** **** Mar. 20, 2018**

(54) **CONNECTOR**

13/5804; H01R 13/6315; H01R 13/6586;
H01R 13/6587; H01R 13/6588; H01R
13/6595

(71) Applicant: **Tarng Yu Enterprise co., ltd**, New Taipei (TW)

See application file for complete search history.

(72) Inventors: **Tsung-Chi Chen**, New Taipei (TW);
Mu-Jung Huang, New Taipei (TW)

(56) **References Cited**

U.S. PATENT DOCUMENTS

(73) Assignee: **TARNG YU ENTERPRISE CO., LTD**, New Taipei (TW)

D596,130 S *	7/2009	Chen	D13/147
D652,387 S *	1/2012	Ohkuma	D13/147
D730,294 S *	5/2015	Huang	D13/147
D733,663 S *	7/2015	Chen	D13/147

(**) Term: **15 Years**

* cited by examiner

(21) Appl. No.: **29/552,060**

Primary Examiner — Daniel Bui

(22) Filed: **Jan. 20, 2016**

(74) *Attorney, Agent, or Firm* — Chun-Ming Shih;
LanWay IPR Services

(30) **Foreign Application Priority Data**

Jul. 29, 2015 (TW) 104304067

(51) **LOC (11) Cl.** **13-03**

(52) **U.S. Cl.**
USPC **D13/147**

(58) **Field of Classification Search**

USPC D13/133, 146, 147, 154, 184, 199

CPC H01R 12/55; H01R 12/58; H01R 12/592;
H01R 12/616; H01R 12/62; H01R 12/70;
H01R 12/7076; H01R 12/71; H01R
12/716; H01R 12/718; H01R 12/72;
H01R 12/73; H01R 12/737; H01R
12/774; H01R 12/777; H01R 12/778;
H01R 12/79; H01R 13/28; H01R 13/506;
H01R 13/516; H01R 13/518; H01R

(57) **CLAIM**

The ornamental design for a connector, as shown and described.

DESCRIPTION

FIG. 1 is a top, front and left side perspective view of a connector showing our new design;

FIG. 2 is a bottom, front and left side perspective view thereof;

FIG. 3 is a front elevational view thereof;

FIG. 4 is a rear elevational view thereof;

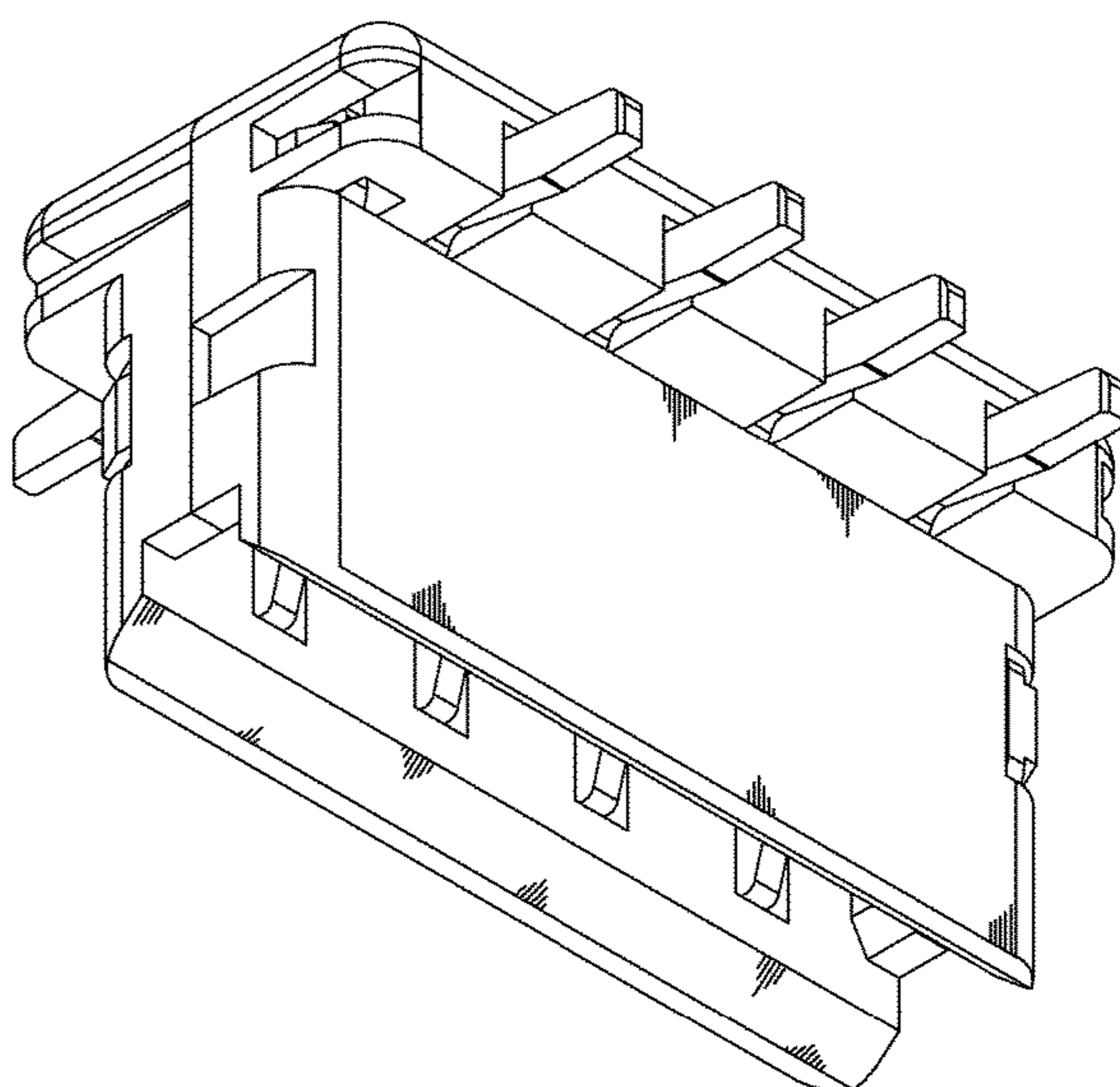
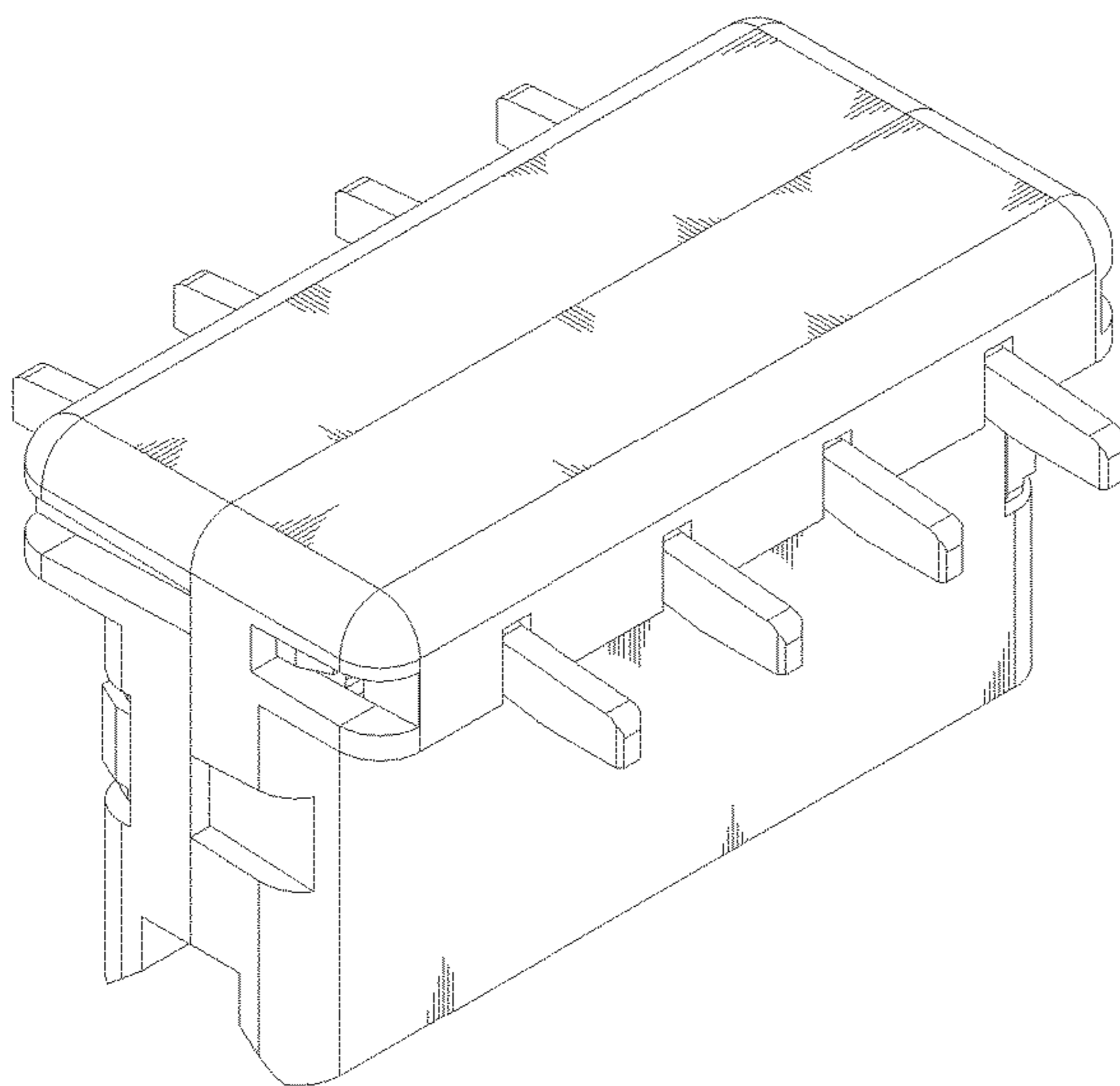
FIG. 5 is a left side elevational view thereof;

FIG. 6 is a right side elevational view thereof;

FIG. 7 is a top plan view thereof; and,

FIG. 8 is a bottom plan view thereof.

1 Claim, 8 Drawing Sheets



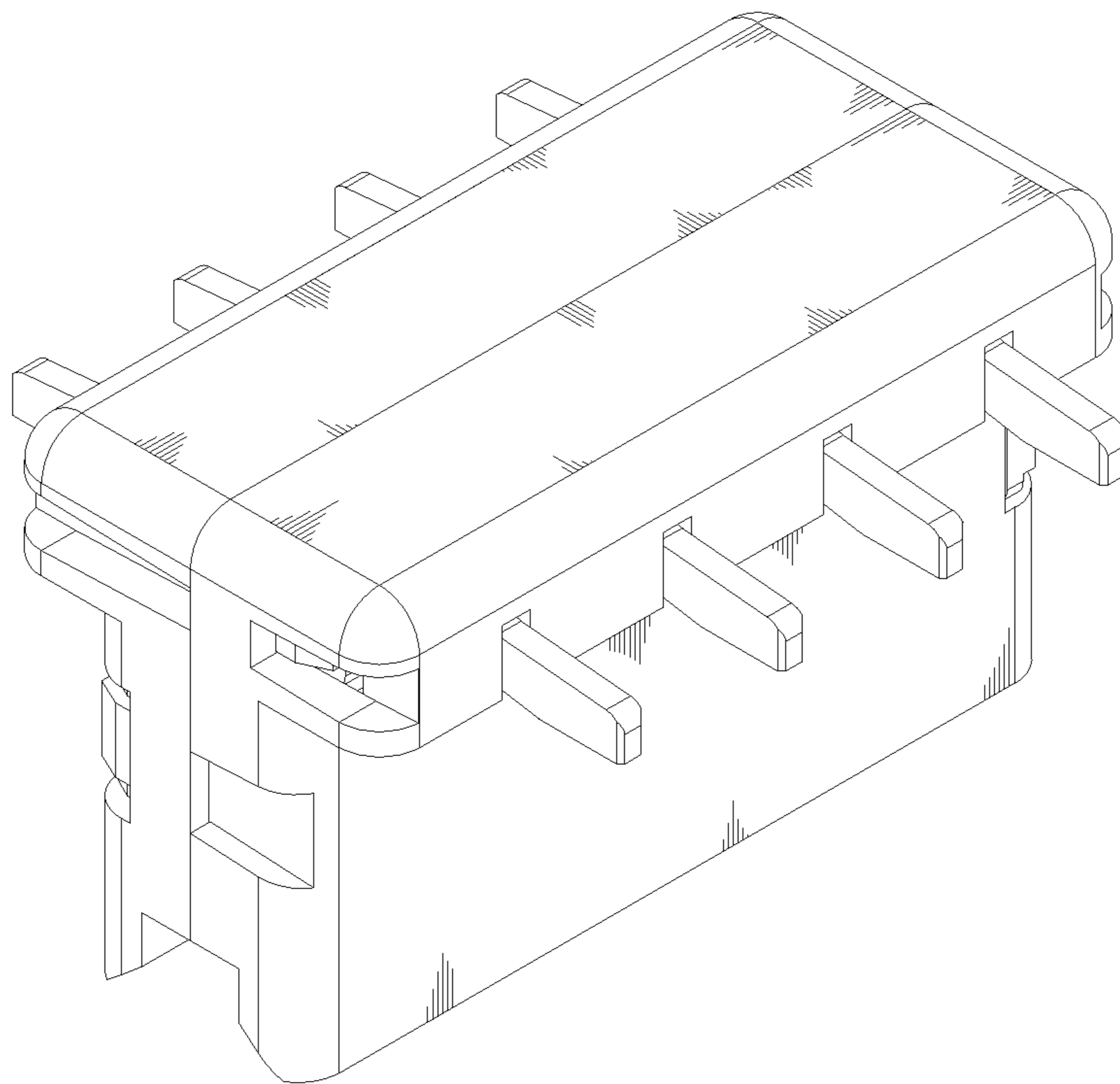


Fig.1

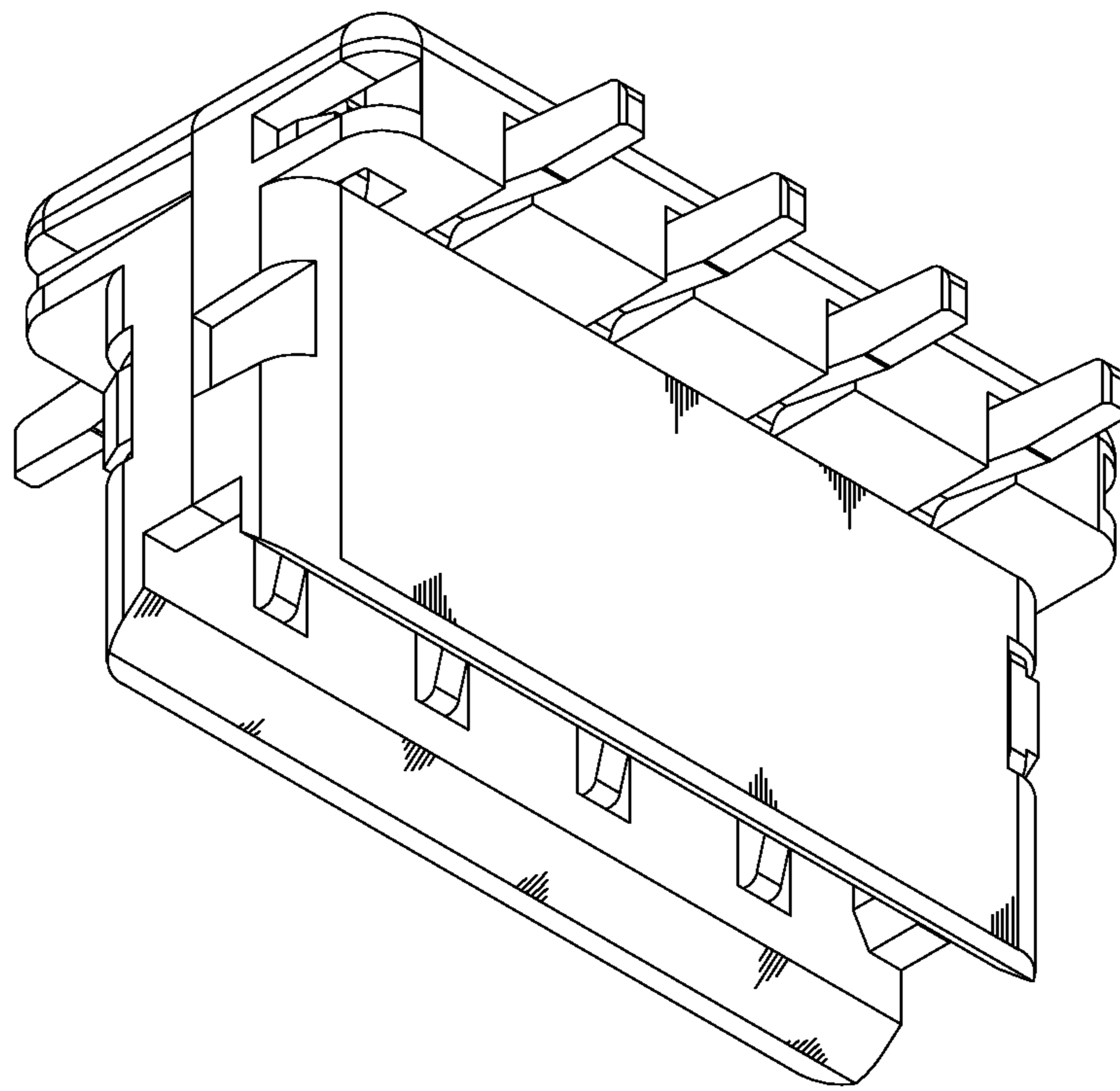


Fig.2

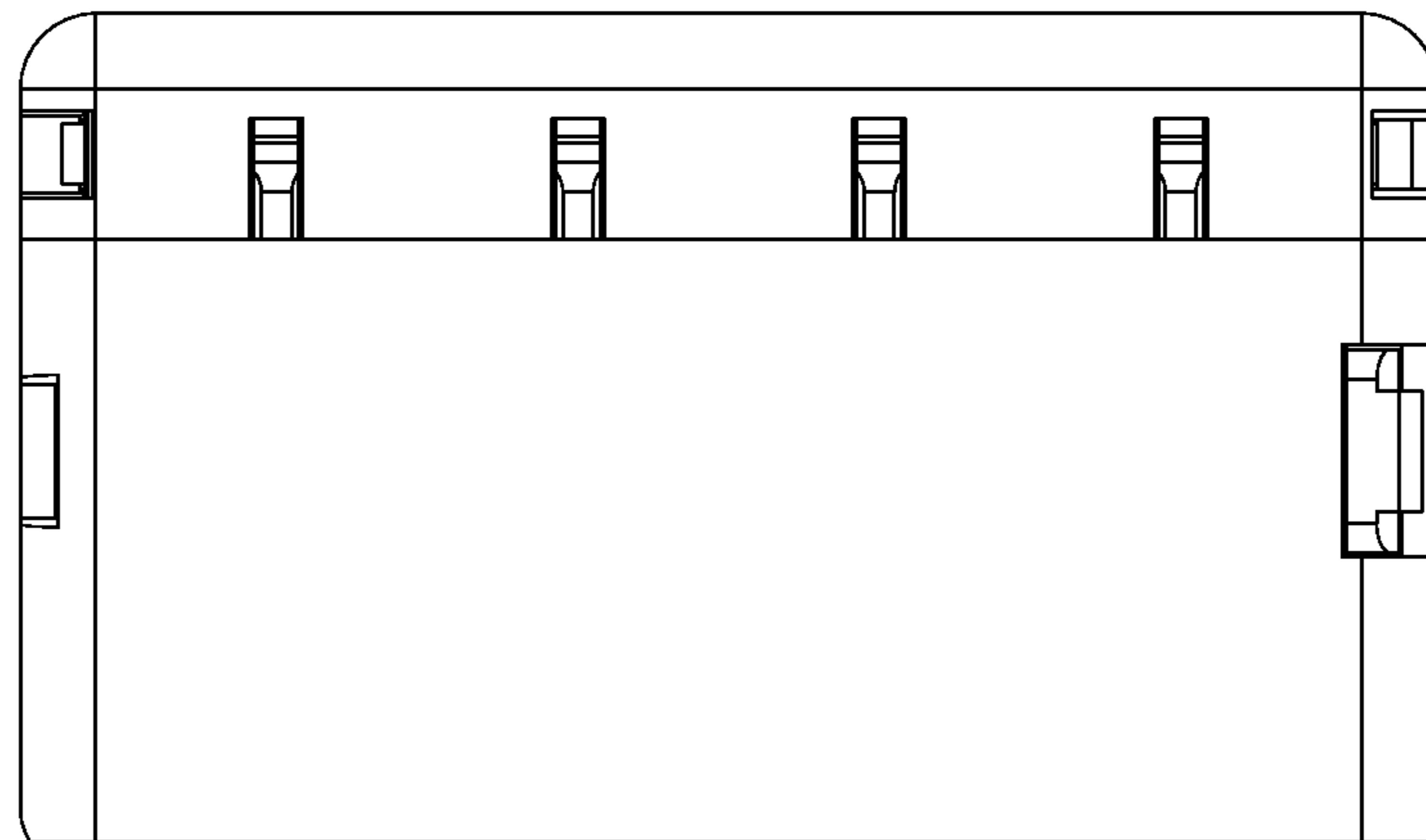


Fig.3

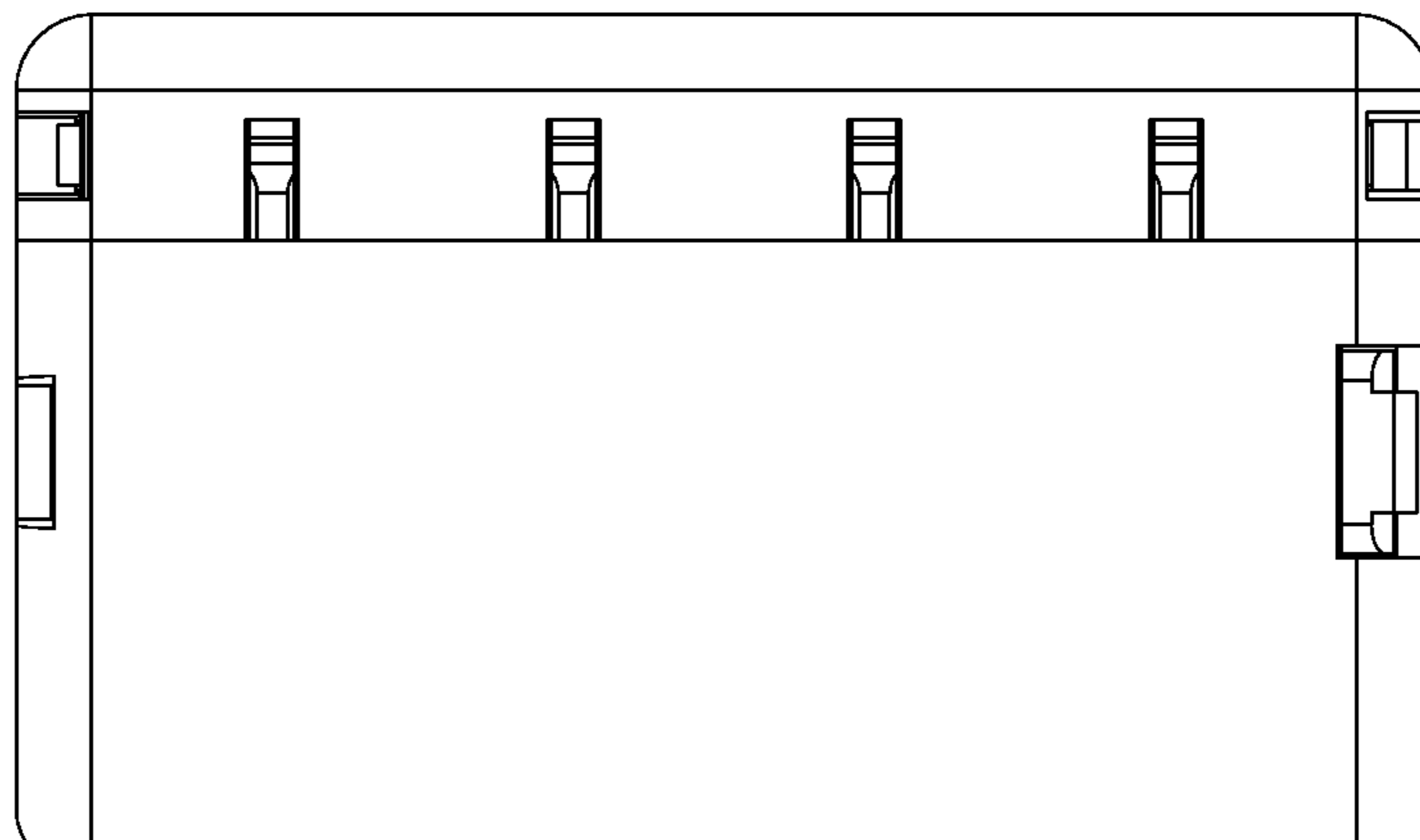


Fig.4

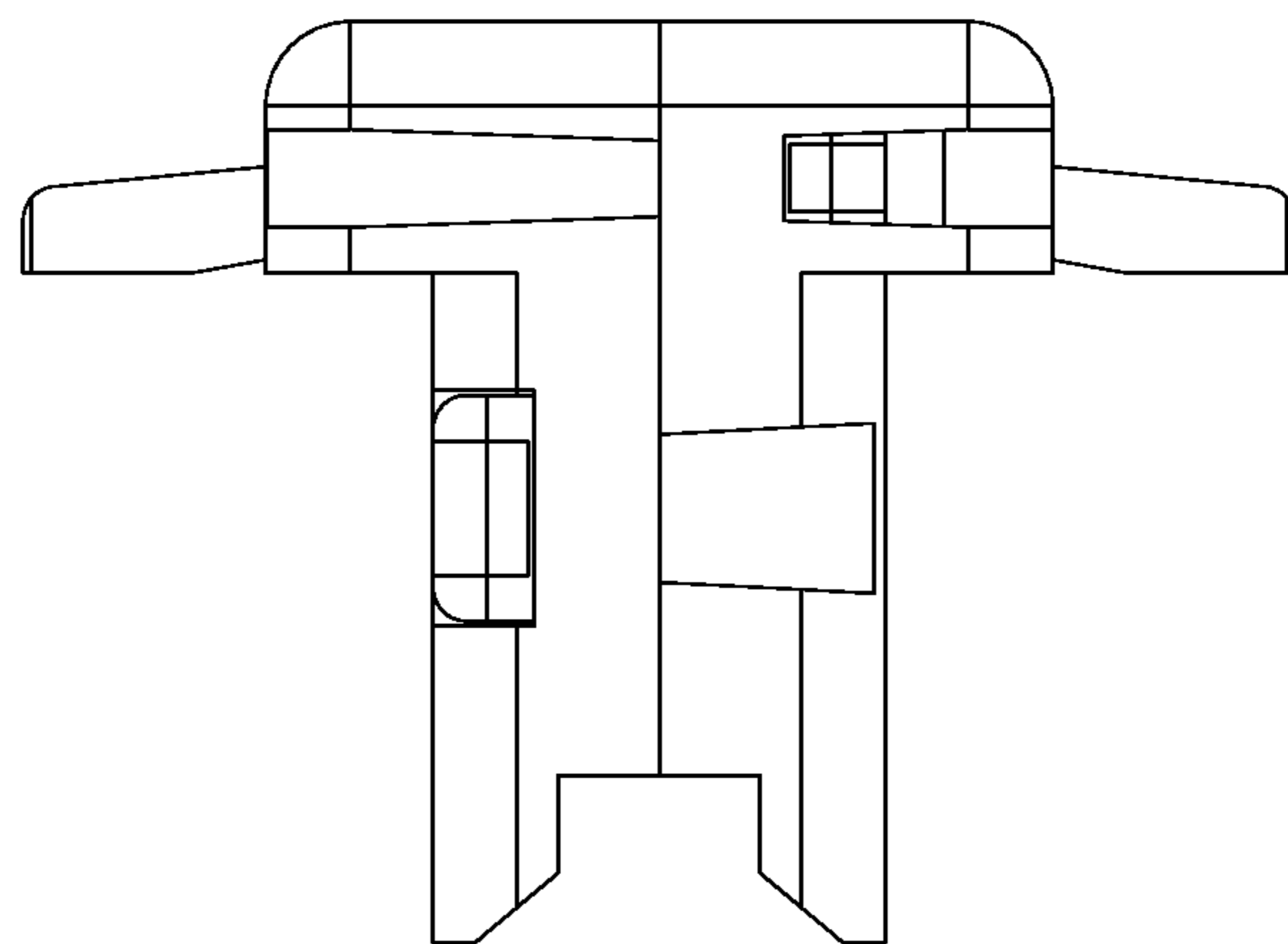


Fig.5

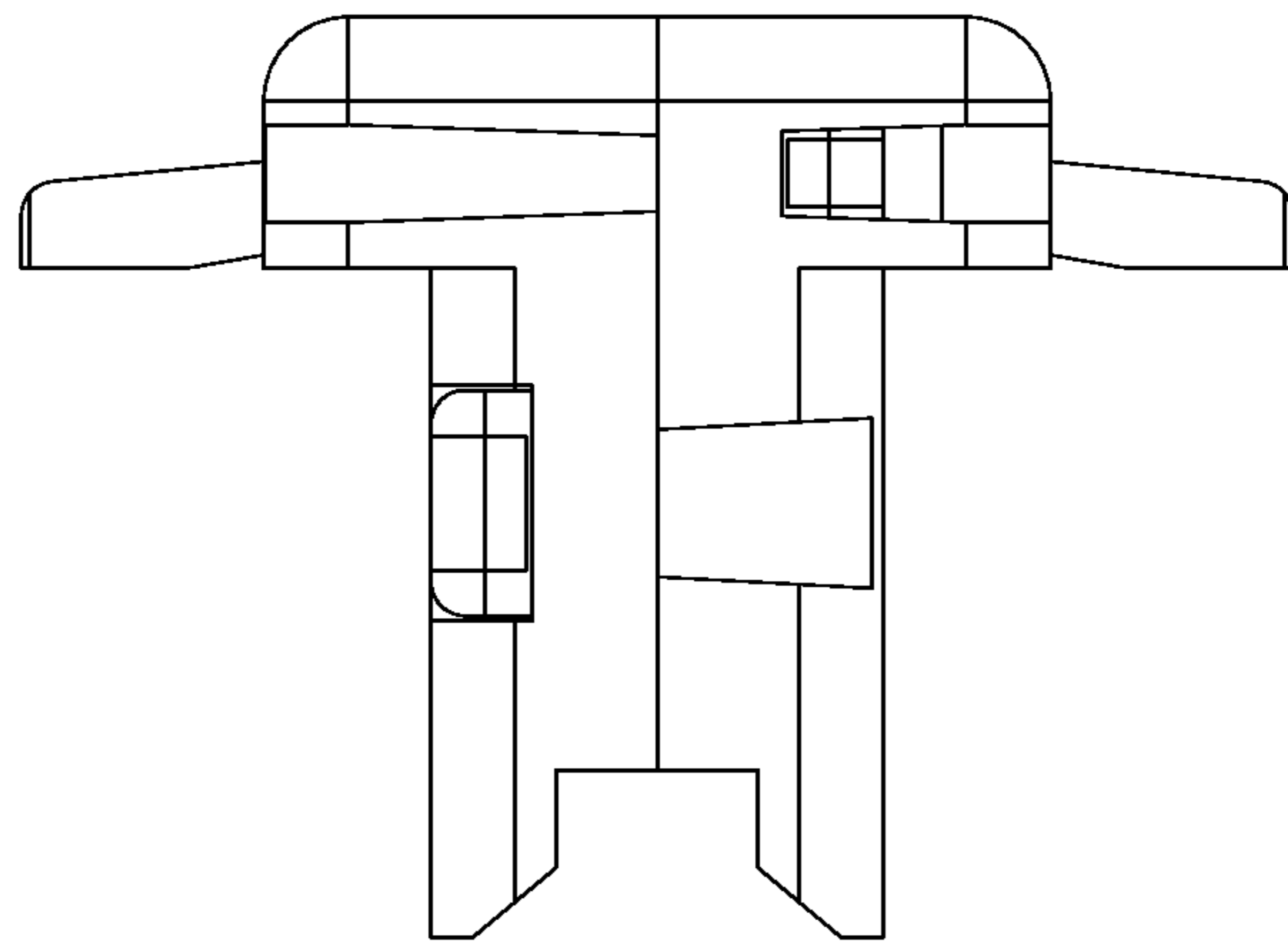


Fig.6

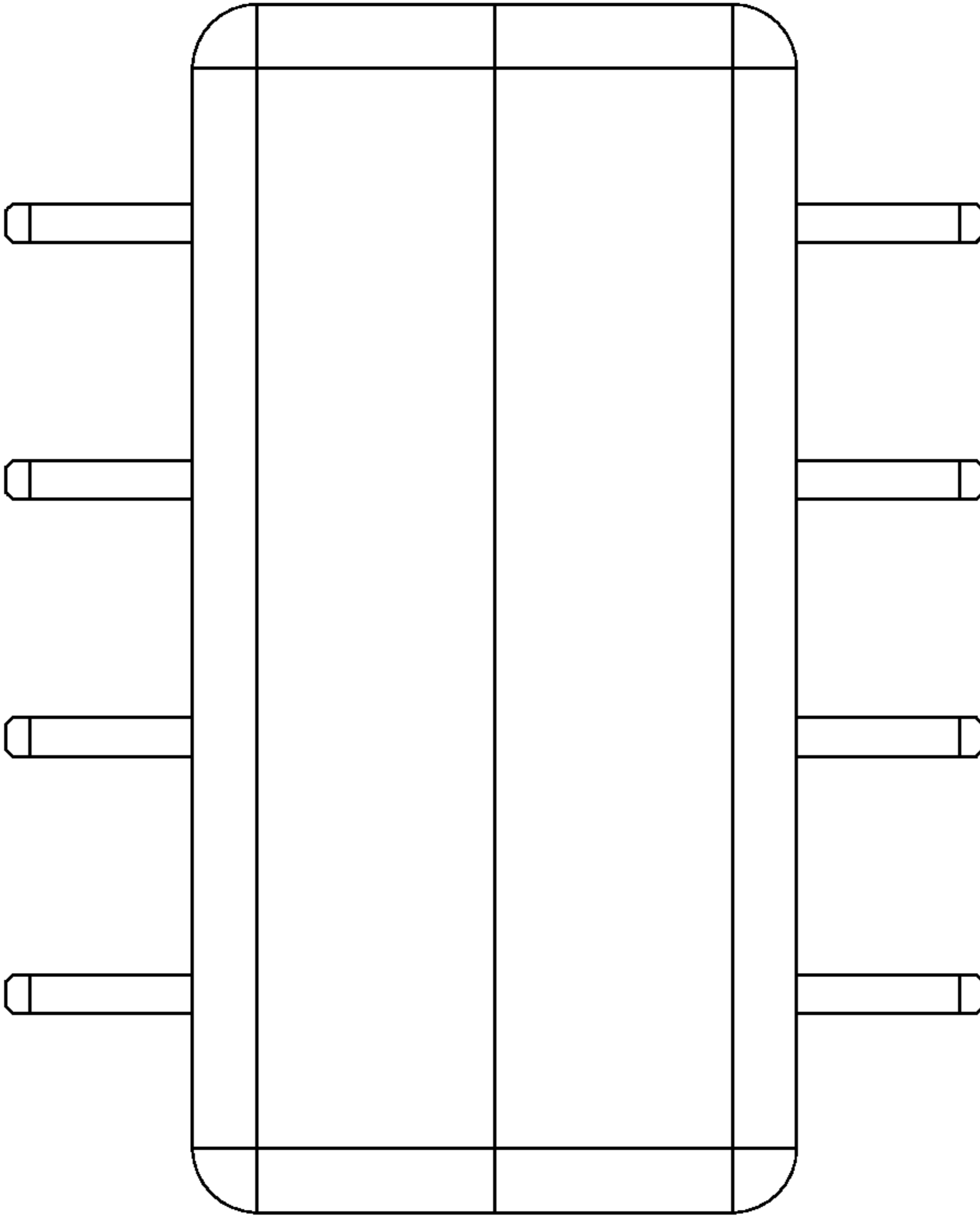


Fig.7

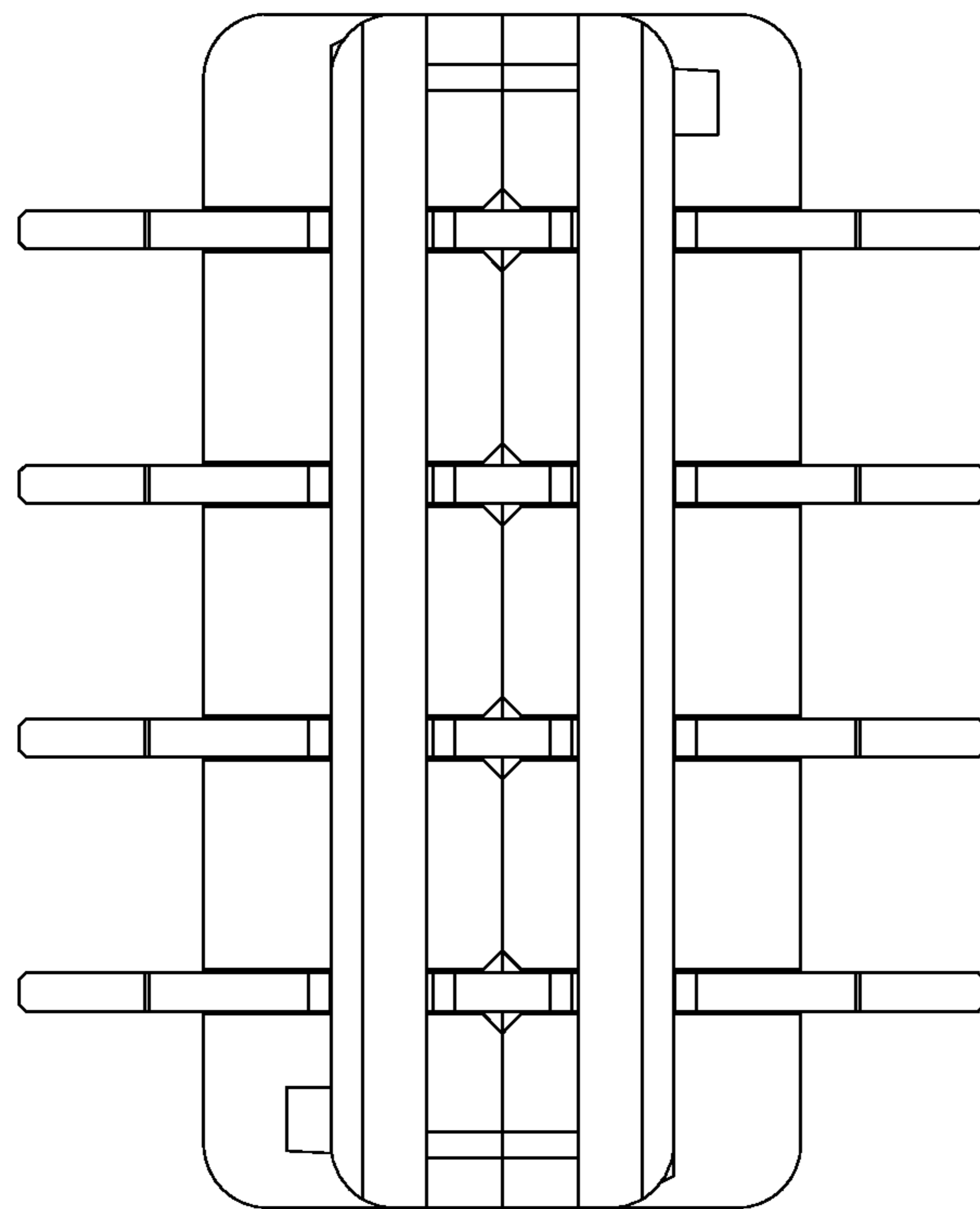


Fig.8