



US00D813166S

(12) **United States Design Patent**
Huang

(10) **Patent No.:** **US D813,166 S**
(45) **Date of Patent:** **** Mar. 20, 2018**

(54) **TRANSCEIVER**

(71) Applicant: **Shenzhen City Tongsheng Electronic Technology Co., Ltd.**, Shenzhen, Guangdong (CN)

(72) Inventor: **Hailiang Huang**, Guangdong (CN)

(73) Assignee: **Shenzhen City Tongsheng Electronic Technology Co., Ltd.**, Shenzhen (CN)

(**) Term: **15 Years**

(21) Appl. No.: **29/572,012**

(22) Filed: **Jul. 25, 2016**

(51) **LOC (11) Cl.** **13-03**

(52) **U.S. Cl.**
USPC **D13/123**

(58) **Field of Classification Search**
USPC D13/123–132
CPC H02M 7/003; H05K 5/02; H05K 7/14;
H05K 5/00; H05K 7/02; G02B 6/3897;
G02B 6/4453; G06F 1/18; G06F 1/1632;
G06F 1/16; G06F 13/409; H01H 36/66;
H02K 19/365; H01R 9/22
See application file for complete search history.

(56) **References Cited**

U.S. PATENT DOCUMENTS

D265,189 S * 6/1982 Eriksson D10/114.1
D278,317 S * 4/1985 Jelvestam D10/101
D325,583 S * 4/1992 Matuszewski D14/234
D480,353 S * 10/2003 Takahashi D13/101
D521,985 S * 5/2006 Thibado D14/218
D633,044 S * 2/2011 Bigler D13/125
D694,710 S * 12/2013 Unetich D13/125

9,696,503 B2 * 7/2017 Lin G02B 6/4209
9,720,191 B2 * 8/2017 Huang G02B 6/4251
2004/0086240 A1 * 5/2004 Togami G02B 6/4246
385/92
2008/0095506 A1 * 4/2008 McColloch G02B 6/4214
385/89
2009/0092361 A1 * 4/2009 Bogdan G02B 6/4201
385/92
2013/0039660 A1 * 2/2013 Ho H04J 14/0282
398/72

FOREIGN PATENT DOCUMENTS

KR 20050013508 A * 2/2005 G02B 6/4201

OTHER PUBLICATIONS

Wikipedia. <URL: https://en.wikipedia.org/wiki/Small_form-factor_pluggable_transceiver> Aug. 6, 21017. Pluggable transceiver.*

* cited by examiner

Primary Examiner — Thomas Johannes
Assistant Examiner — Lauren D McVey

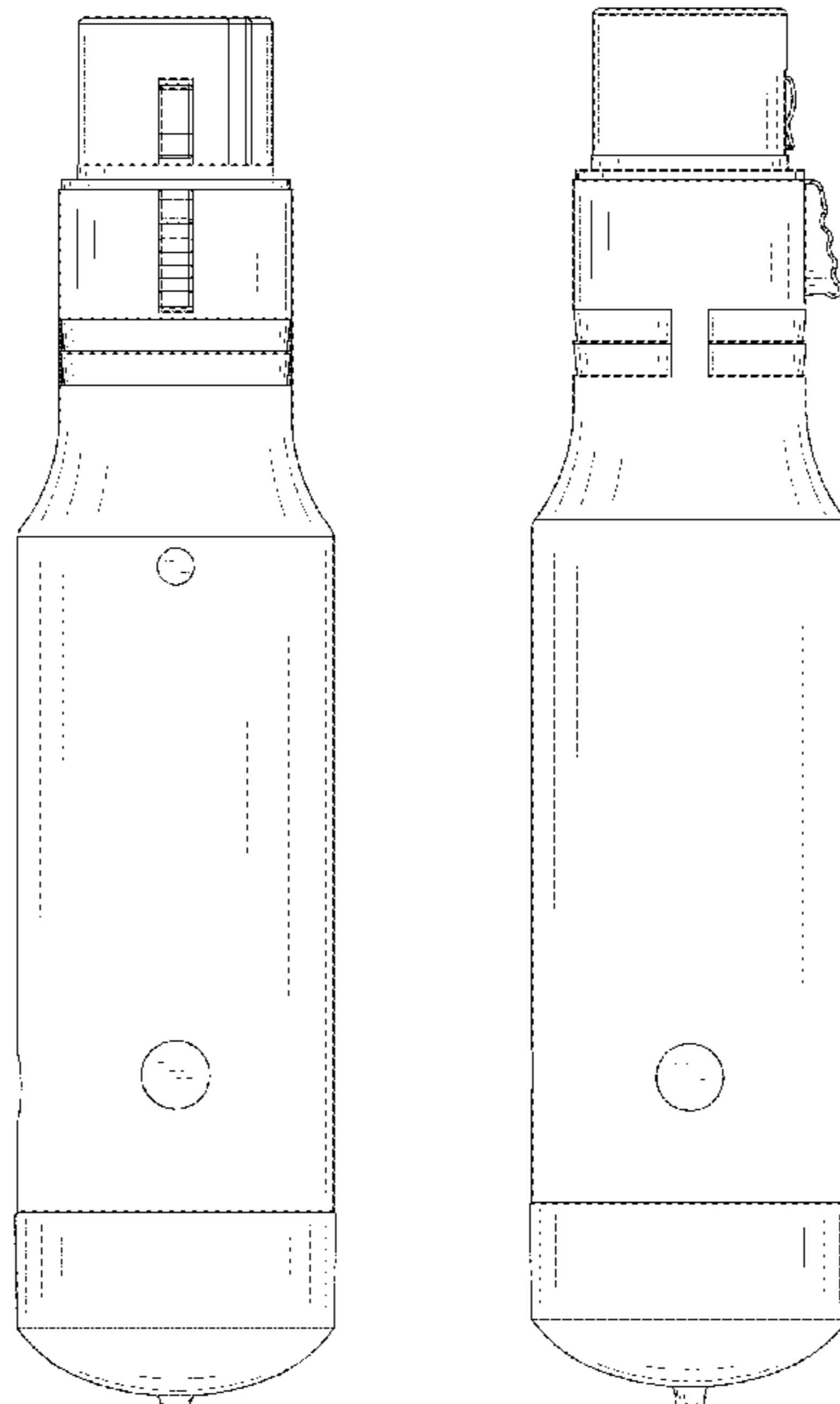
(57) **CLAIM**

The ornamental design for a transceiver, as shown and described.

DESCRIPTION

FIG. 1 is a front elevation of the transceiver showing our new design;
FIG. 2 is a back elevation view thereof;
FIG. 3 is a left elevation view thereof;
FIG. 4 is a right elevation view thereof;
FIG. 5 is a top view thereof;
FIG. 6 is a bottom view thereof; and,
FIG. 7 is a perspective view thereof.

1 Claim, 4 Drawing Sheets



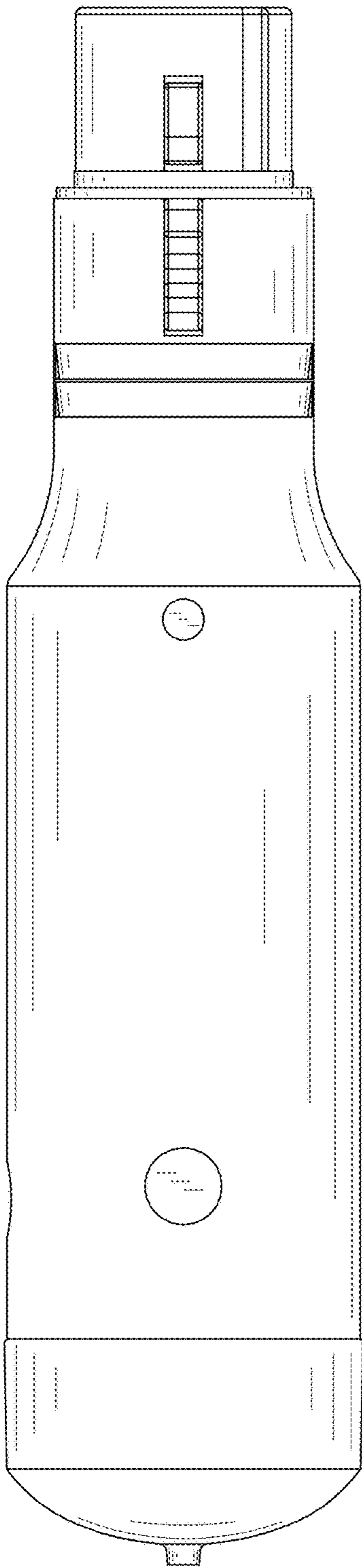


Fig.1

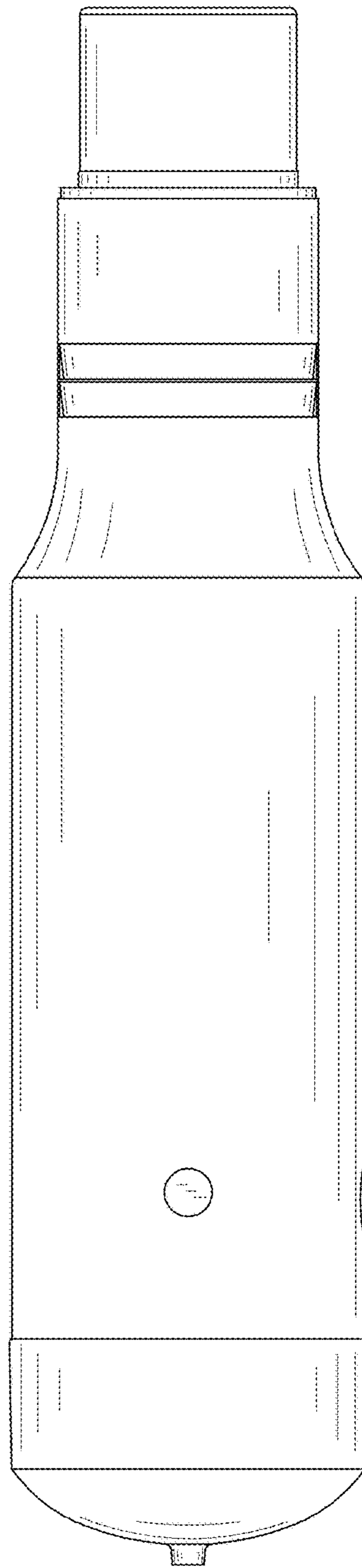


Fig.2

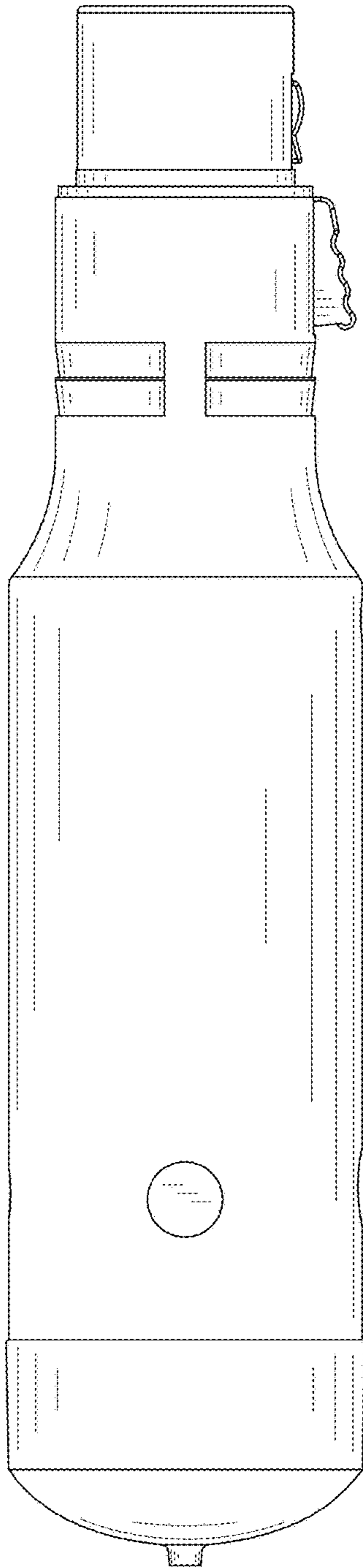


Fig.3

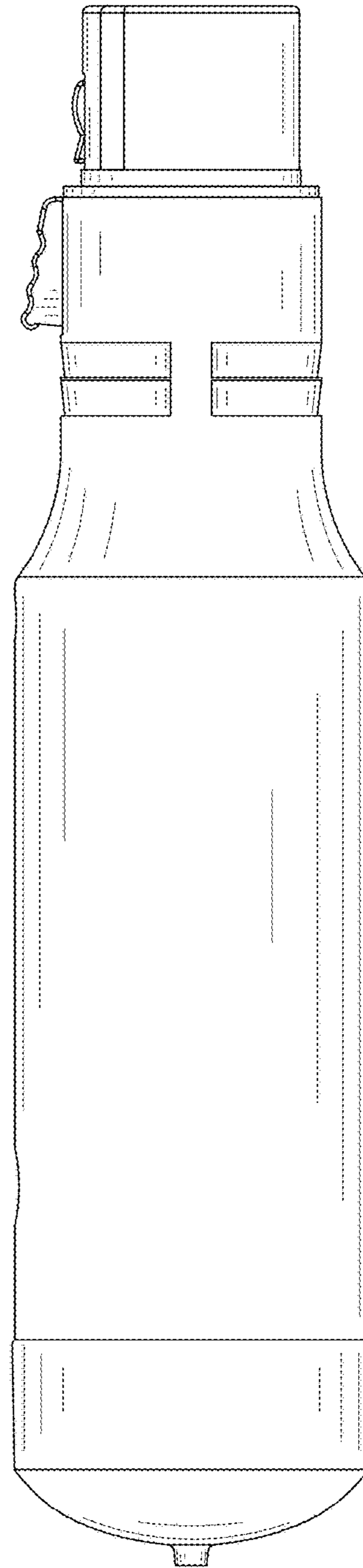


Fig.4

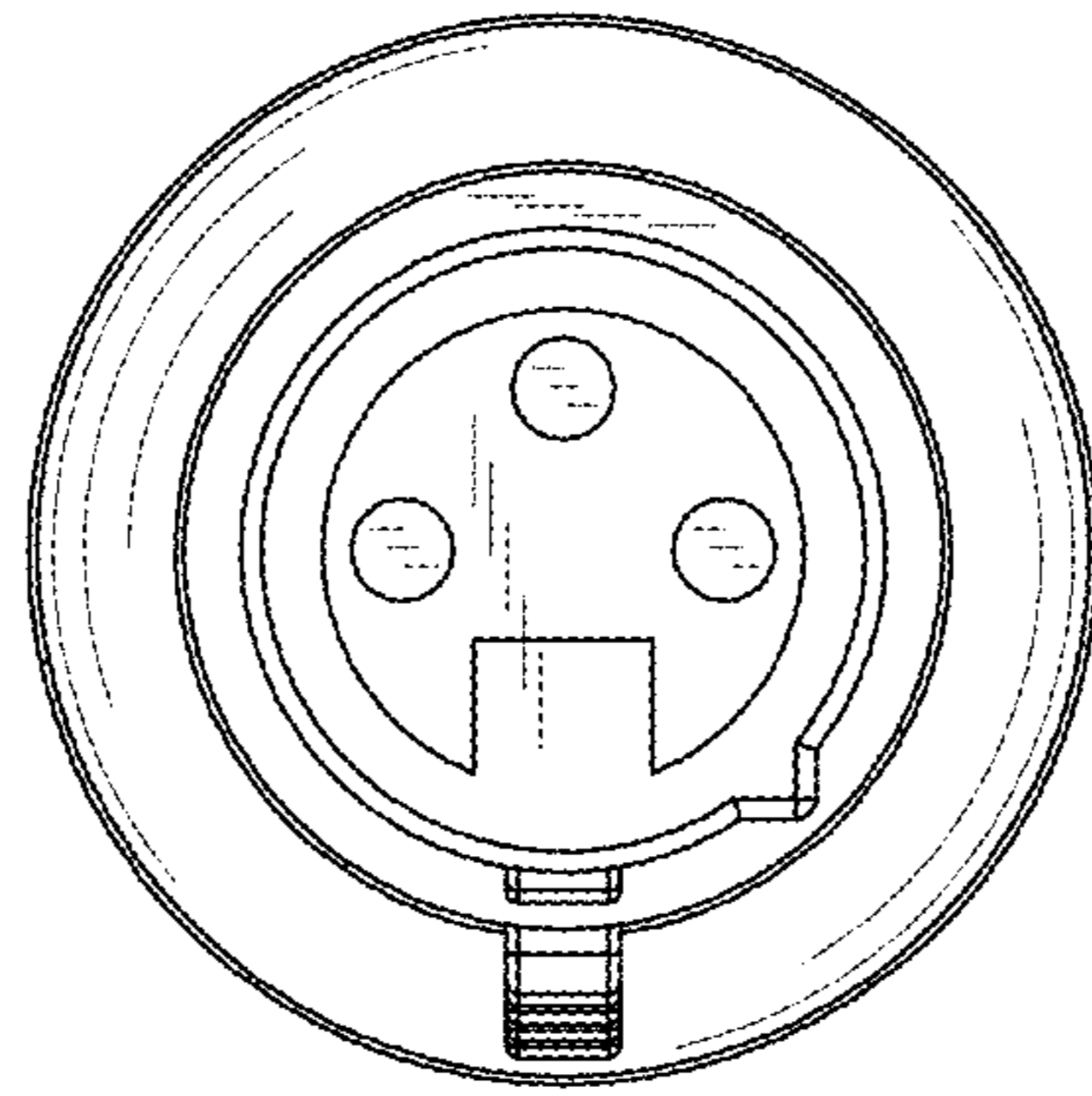


Fig.5

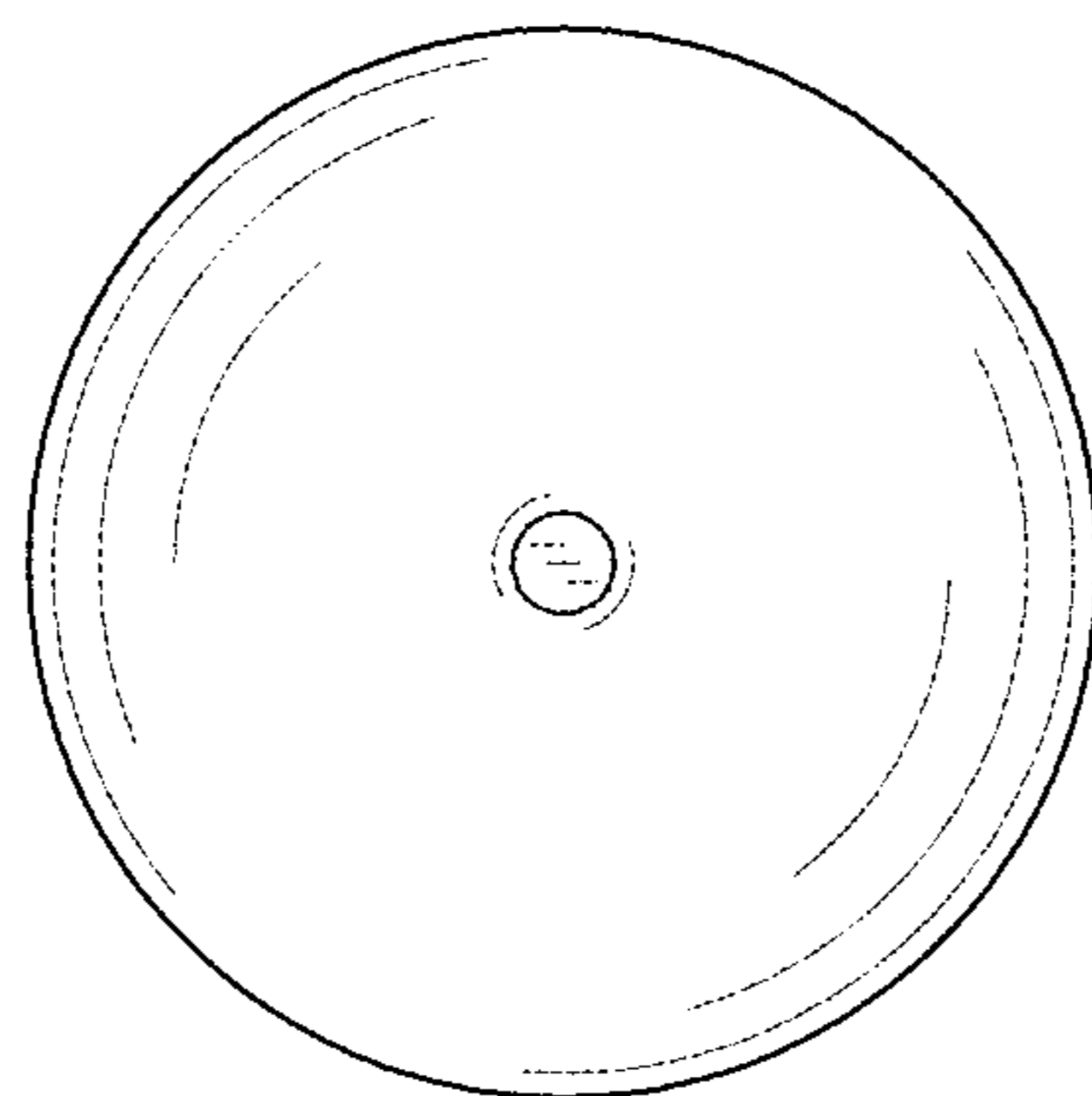


Fig.6

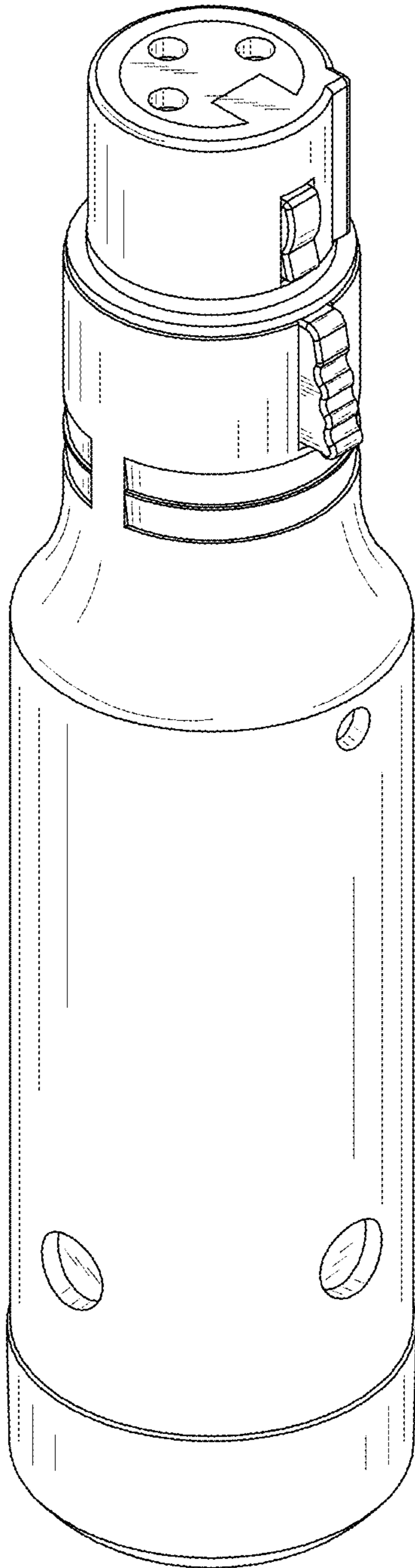


Fig.7