



US00D813165S

(12) **United States Design Patent**
Grillenberger et al.

(10) **Patent No.:** **US D813,165 S**
(45) **Date of Patent:** **** Mar. 20, 2018**

(54) **ELECTROMOTOR**

(71) Applicant: **Siemens Aktiengesellschaft**, München (DE)
(72) Inventors: **Reiner Grillenberger**, Windsbach (DE); **Eric Joseph**, Nürnberg (DE); **Thomas Koch**, Nürnberg (DE)
(73) Assignee: **SIEMENS AKTIENGESELLSCHAFT**, München (DE)

(**) Term: **15 Years**
(21) Appl. No.: **29/568,776**
(22) Filed: **Jun. 21, 2016**

Related U.S. Application Data

(62) Division of application No. 29/466,897, filed on Sep. 12, 2013, now Pat. No. Des. 762,574.

Foreign Application Priority Data

Mar. 12, 2013 (EM) 001363949

(51) **LOC (11) Cl.** **13-01**

(52) **U.S. Cl.**
USPC **D13/112**

(58) **Field of Classification Search**
USPC D13/112, 113, 114, 122, 184, 199;
D15/1, 5, 10, 17, 28; D25/199; 290/1 A,
290/1 R, 20; 310/10, 40 R, 51, 58, 85,
310/89, 91, 236, 239, 254.1
CPC H02K 11/0005; H02K 5/00; H02K 5/04;
Y10T 29/49009

See application file for complete search history.

(56) **References Cited**

U.S. PATENT DOCUMENTS

D336,890 S * 6/1993 Hirose D13/112
5,998,896 A * 12/1999 Early H02K 5/20
310/410
6,522,036 B1 * 2/2003 Chen H02K 9/18
310/58
6,909,211 B2 * 6/2005 Ciciliani H02K 9/04
310/216.045
D576,941 S * 9/2008 Evon D13/112
D578,063 S * 10/2008 Lannoch D13/112
9,203,278 B2 * 12/2015 Andersson H02K 5/26
310/89

* cited by examiner

Primary Examiner — Derrick Holland
Assistant Examiner — Jennifer O King
(74) *Attorney, Agent, or Firm* — Henry M. Feiereisen LLC

(57) **CLAIM**

The ornamental design for an electromotor, as shown and described.

DESCRIPTION

FIG. 1 is a front elevational view of an electromotor showing my new design;
FIG. 2 is a rear elevational view thereof;
FIG. 3 is a top plan view thereof;
FIG. 4 is a bottom plan view thereof;
FIG. 5 is a right side elevational view thereof;
FIG. 6 is a left side elevational view thereof; and,
FIG. 7 is a front right side perspective view thereof.
The broken line portion of the figure drawings is included to show unclaimed subject matter only and forms no part of the claimed design.

1 Claim, 7 Drawing Sheets

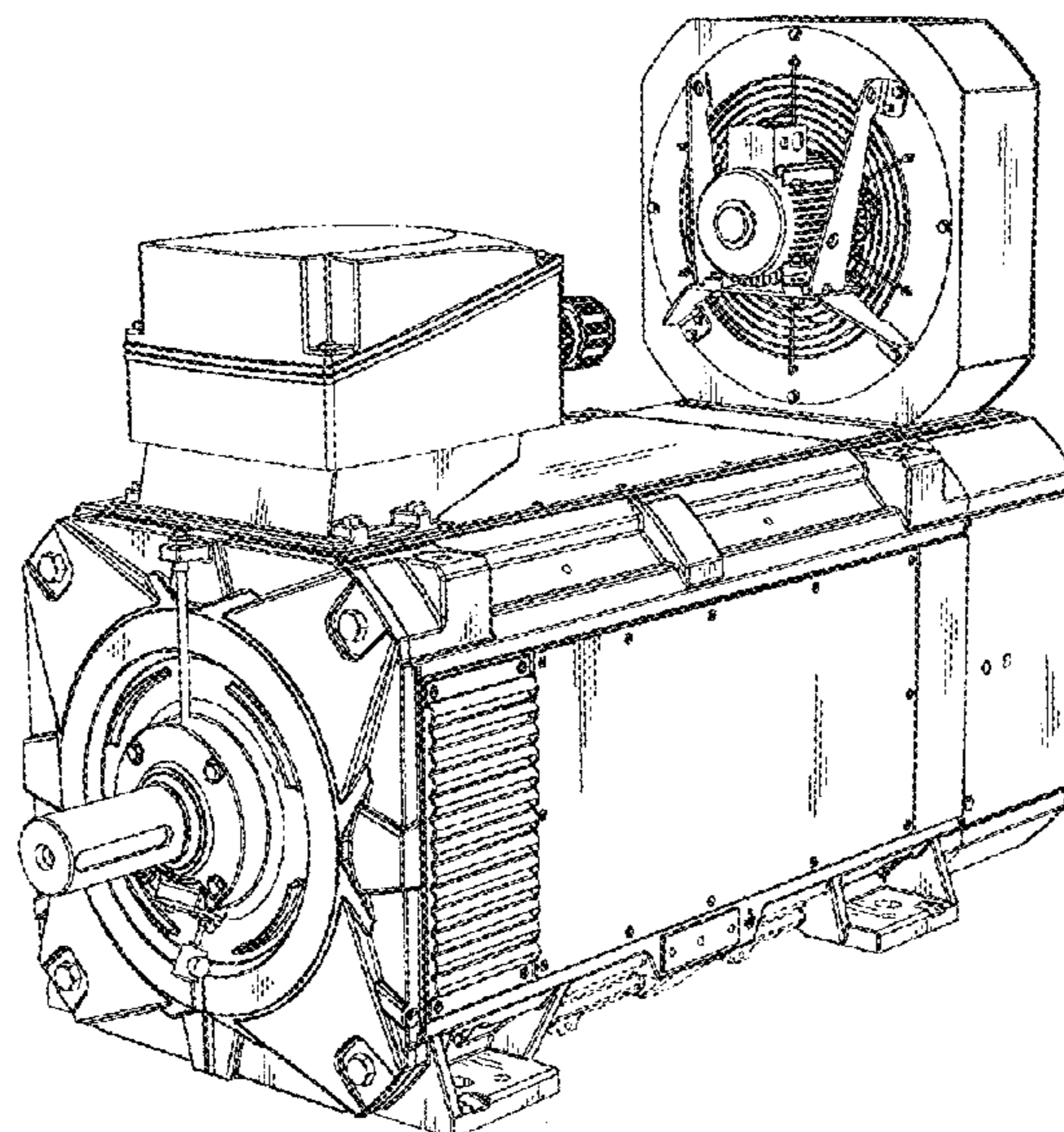


FIG. 1

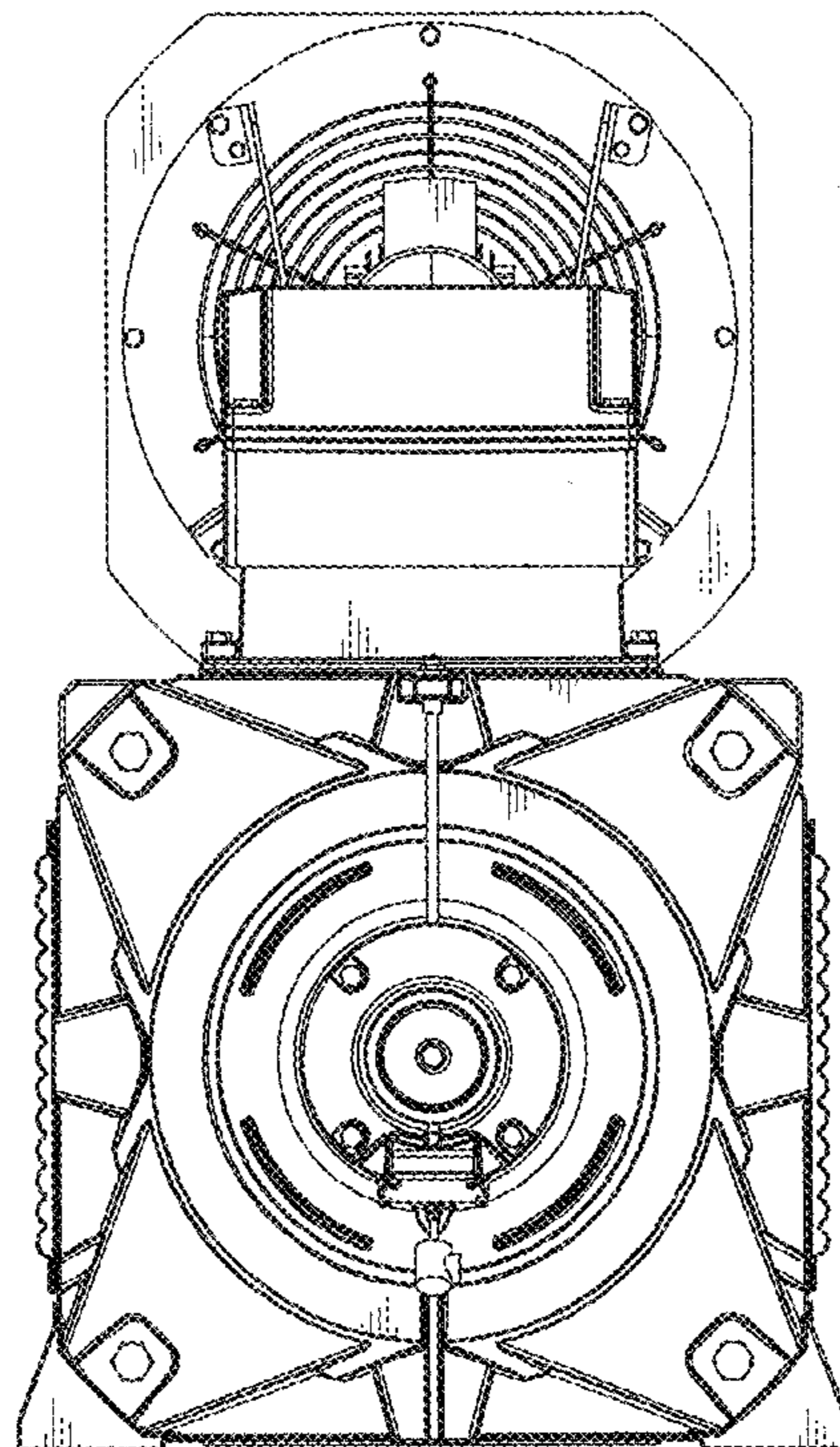


FIG. 2

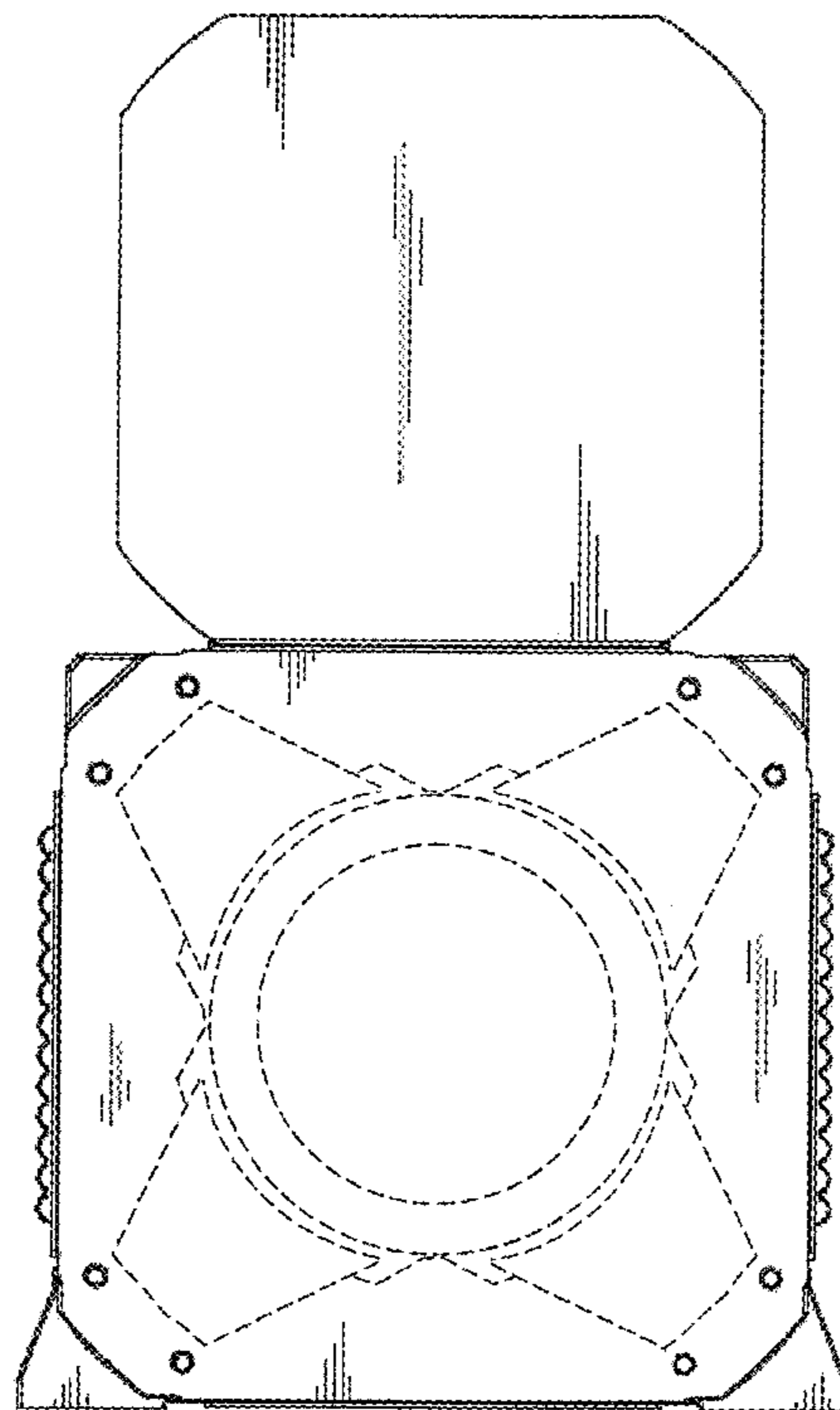


FIG. 3

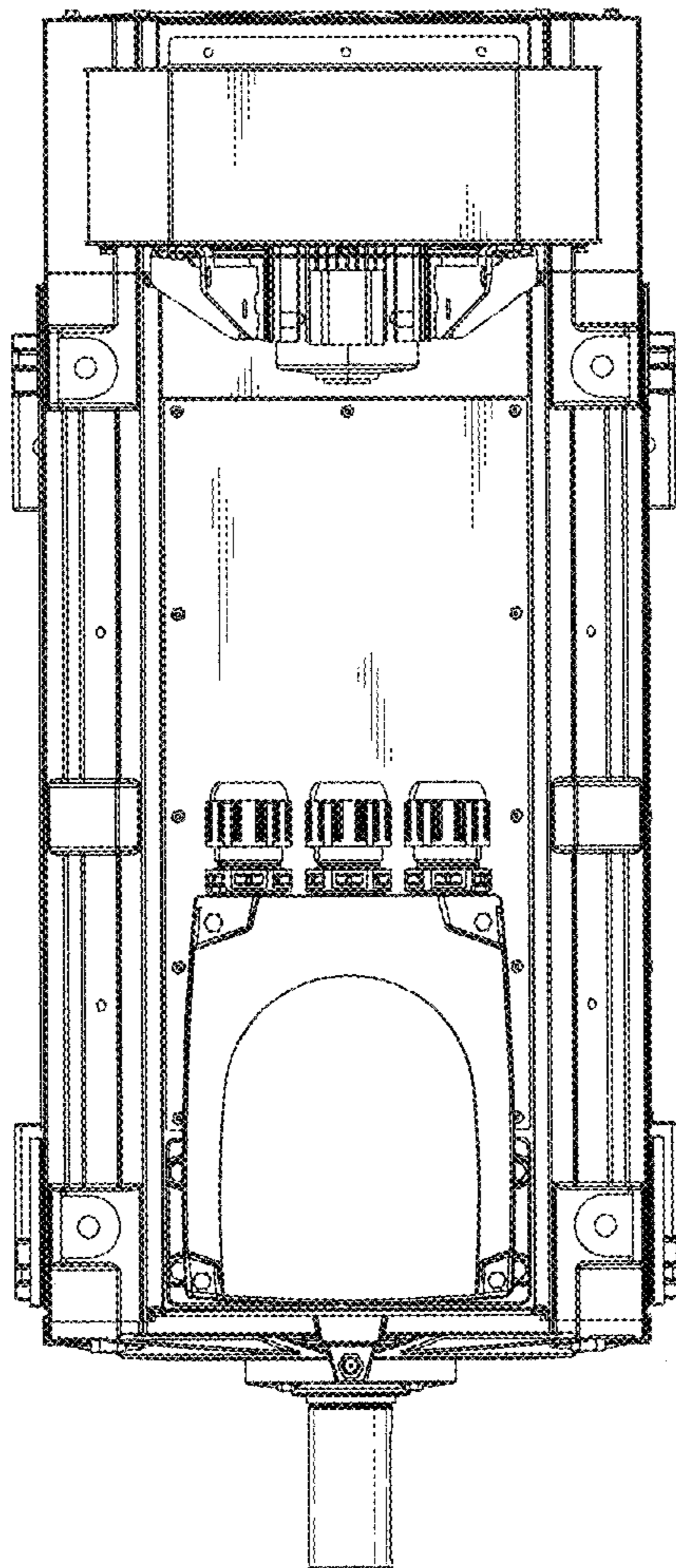


FIG. 4

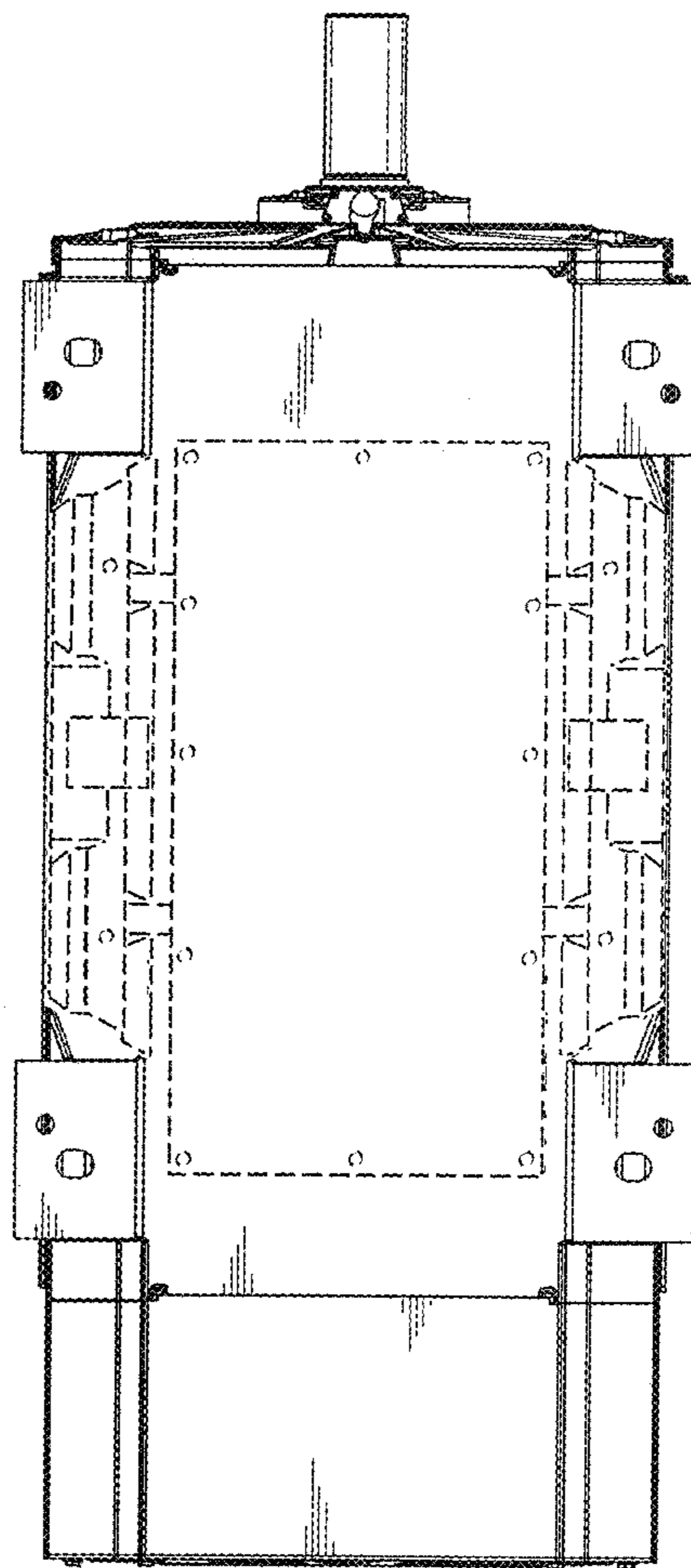


FIG. 5

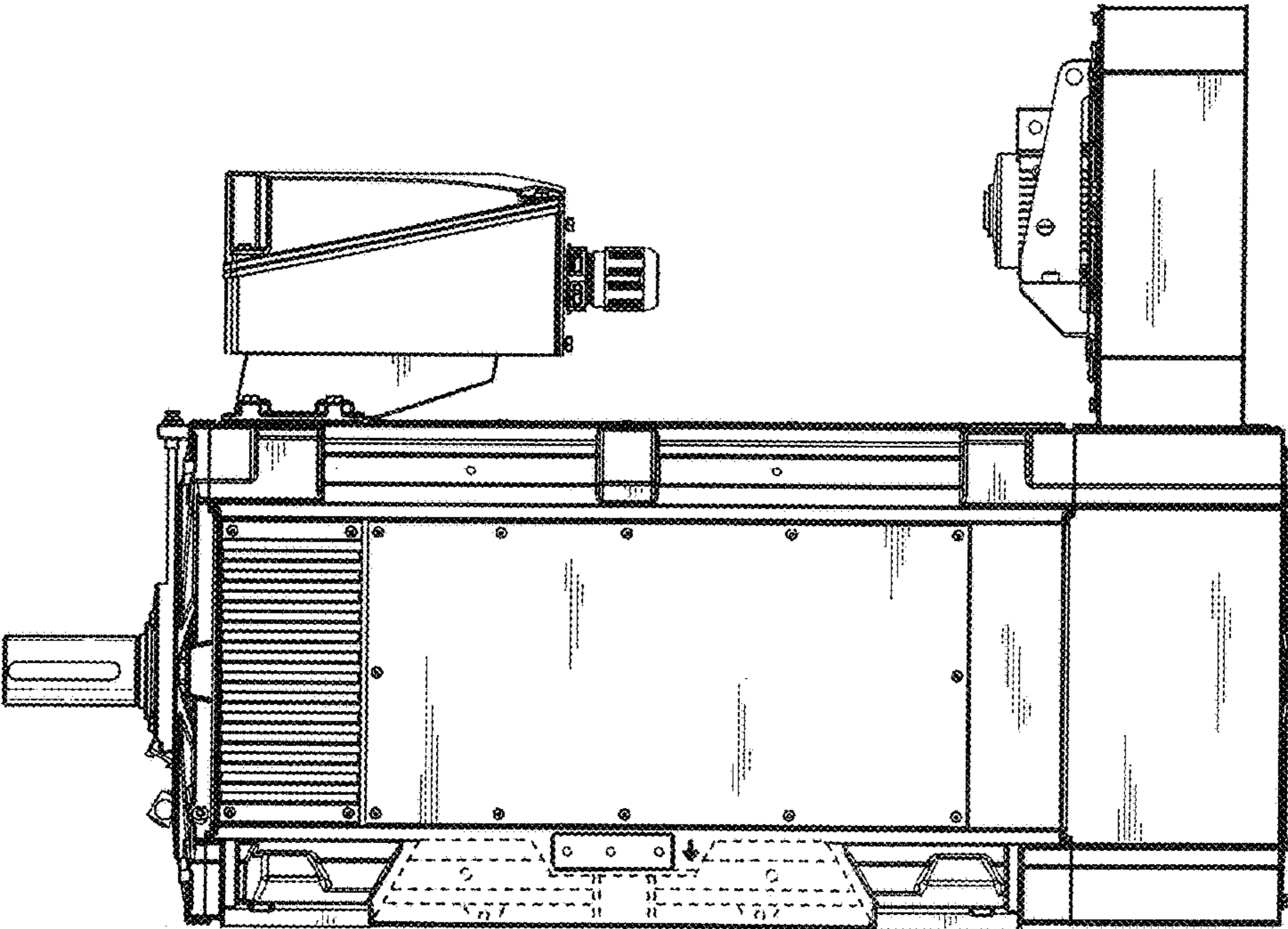


FIG. 6

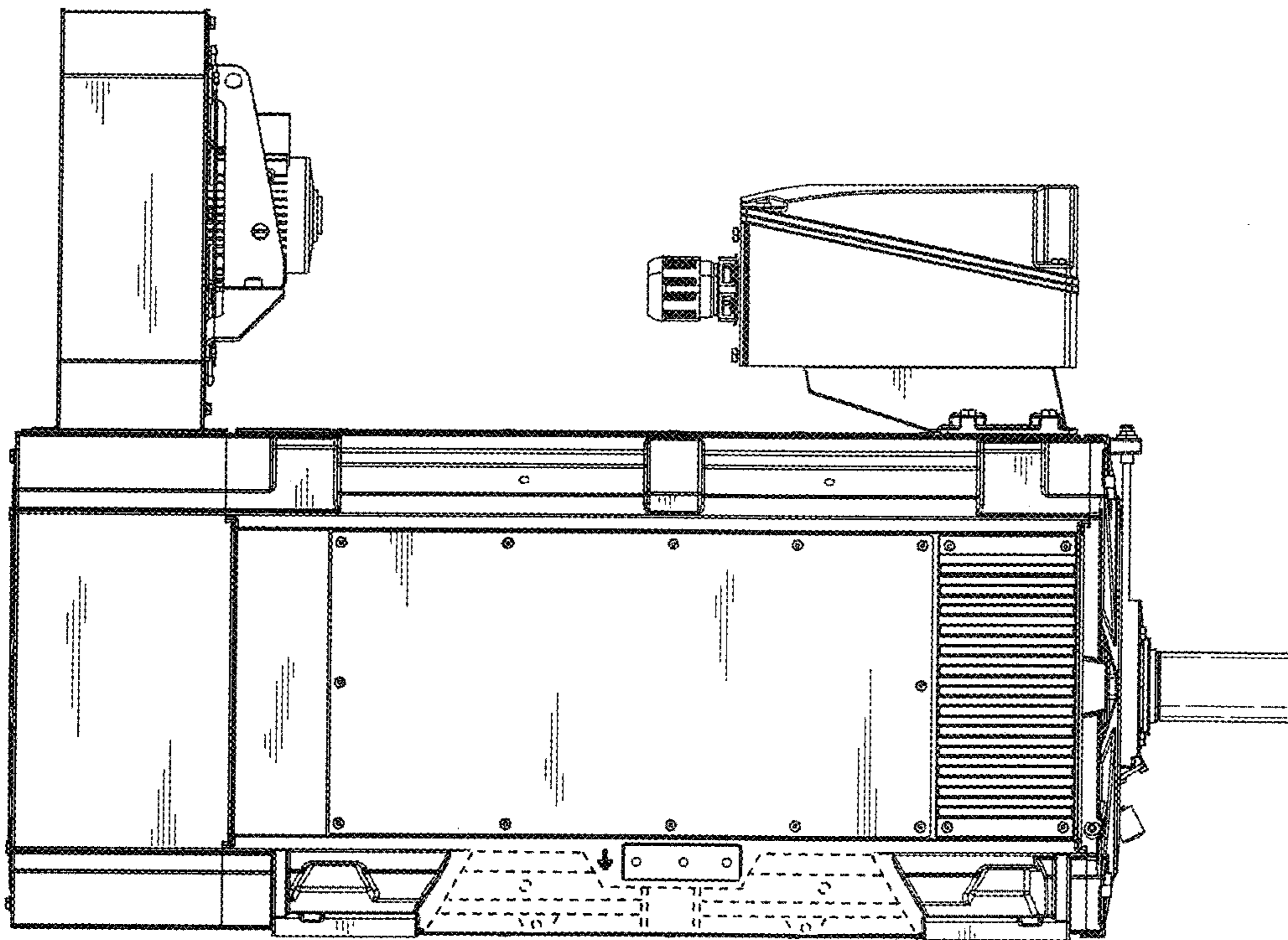


FIG 7

