



US00D813162S

(12) **United States Design Patent** (10) **Patent No.:** **US D813,162 S**  
**Krantz et al.** (45) **Date of Patent:** **\*\* Mar. 20, 2018**

(54) **ENERGY STORAGE AND POWER SUPPLY DEVICE**

(71) Applicant: **Goal Zero LLC**, Bluffdale, UT (US)

(72) Inventors: **Norman L. Krantz**, Draper, UT (US);  
**Henry J. Howell**, Herriman, UT (US);  
**Fred Lillywhite**, Cottonwood Heights, UT (US)

(73) Assignee: **Goal Zero LLC**, Bluffdale, UT (US)

(\*\*) Term: **15 Years**

(21) Appl. No.: **29/573,774**

(22) Filed: **Aug. 9, 2016**

**Related U.S. Application Data**

(63) Continuation-in-part of application No. 29/555,265, filed on Feb. 19, 2016, which is a continuation-in-part of application No. 29/496,019, filed on Jul. 8, 2014, now Pat. No. Des. 753,059.

(51) **LOC (11) Cl.** ..... **13-02**

(52) **U.S. Cl.**  
USPC ..... **D13/110**

(58) **Field of Classification Search**  
USPC ..... D13/103, 104, 105, 106, 110, 118, 119,  
D13/184, 199; 429/96, 98, 99, 100, 163,  
429/176; 361/679.55, 679.56; D14/433,  
D14/434

CPC .. H01M 2/1022; H01M 2/204; H01M 2/0202;  
H01M 2/0434; H01M 2/0456; H01M  
2/1005; H01M 2/1055; H01M 2/1066

See application file for complete search history.

(56) **References Cited**

U.S. PATENT DOCUMENTS

D246,240 S 11/1977 Hansen  
D367,257 S 2/1996 Buelow et al.

D454,837 S 3/2002 Ibuki et al.  
D463,363 S 9/2002 Veino et al.  
D509,181 S 9/2005 Nellenbach et al.  
D545,268 S 6/2007 Shiu  
D561,687 S 2/2008 Sween et al.  
D567,171 S 4/2008 Yu et al.  
D580,354 S 11/2008 Dunbar et al.  
D581,867 S 12/2008 Crawford et al.  
D595,647 S \* 7/2009 Shum ..... D13/110  
D601,959 S 10/2009 Lee et al.  
D603,334 S 11/2009 Suzuki

(Continued)

FOREIGN PATENT DOCUMENTS

WO WO-2011/106431 A2 9/2011

OTHER PUBLICATIONS

U.S. Appl. No. 29/498,046, filed Jul. 30, 2014, Krantz et al.  
U.S. Appl. No. 62/022,631, filed Jul. 9, 2014, Workman et al.

*Primary Examiner* — Derrick Holland  
*Assistant Examiner* — Jennifer O King  
(74) *Attorney, Agent, or Firm* — Foley & Lardner LLP

(57) **CLAIM**

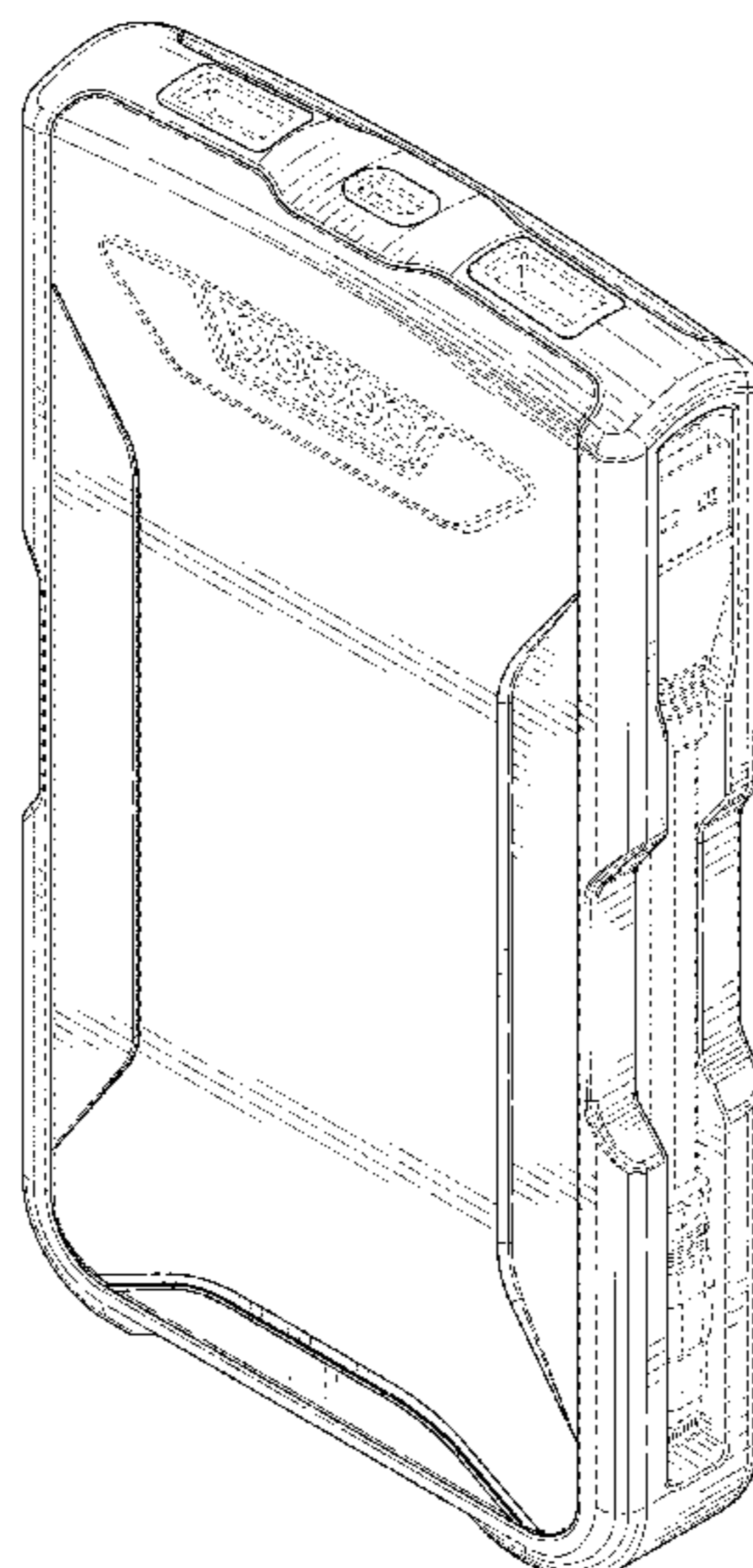
We claim the ornamental design for an energy storage and power supply device, as shown and described.

**DESCRIPTION**

FIG. 1 is a front perspective view of an energy storage and power supply device;  
FIG. 2 is a front view thereof;  
FIG. 3 is a rear view thereof;  
FIG. 4 is a left side view thereof;  
FIG. 5 is a right side view thereof;  
FIG. 6 is a top view thereof; and,  
FIG. 7 is a bottom view thereof.

The broken lines shown represent unclaimed subject matter and form no part of the claimed design.

**1 Claim, 5 Drawing Sheets**



(56)

**References Cited**

U.S. PATENT DOCUMENTS

|              |         |                |         |                   |         |                |                         |
|--------------|---------|----------------|---------|-------------------|---------|----------------|-------------------------|
| D628,535 S   | 12/2010 | Cheng          |         | D701,832 S        | 4/2014  | Drew et al.    |                         |
| D629,746 S   | 12/2010 | Workman et al. |         | D704,638 S        | 5/2014  | Inskeep        |                         |
| 8,080,972 B2 | 12/2011 | Smith          |         | D705,724 S        | 5/2014  | Yu             |                         |
| D651,564 S   | 1/2012  | Workman et al. |         | D711,318 S        | 8/2014  | Xinfang        |                         |
| D652,379 S   | 1/2012  | Vandiver       |         | D716,304 S        | 10/2014 | Orthey         |                         |
| D654,856 S   | 2/2012  | Inskeep        |         | 9,024,570 B2      | 5/2015  | Workman et al. |                         |
| D664,499 S   | 7/2012  | Workman et al. |         | D758,962 S *      | 6/2016  | Lebel .....    | D13/103                 |
| D670,244 S   | 11/2012 | Workman et al. |         | 9,385,351 B2 *    | 7/2016  | Workman .....  | H01M 2/1022             |
| D674,342 S   | 1/2013  | Ho             |         | D764,404 S *      | 8/2016  | Lau .....      | D13/103                 |
| D674,748 S * | 1/2013  | Ferber .....   | D13/108 | D766,826 S *      | 9/2016  | Xu .....       | D13/110                 |
| D682,196 S   | 5/2013  | Leung          |         | D783,525 S *      | 4/2017  | Gupta .....    | D13/108                 |
| D682,196 S   | 11/2013 | Inskeep        |         | D791,070 S *      | 7/2017  | Son .....      | D13/103                 |
| D693,297 S   | 11/2013 | Inskeep .....  | D13/110 | 2012/0281392 A1   | 11/2012 | Workman et al. |                         |
| D693,298 S * | 11/2013 | Inskeep .....  | D13/110 | 2013/0043826 A1   | 2/2013  | Workman et al. |                         |
| D695,680 S   | 12/2013 | Workman et al. |         | 2013/0181661 A1   | 7/2013  | Workman et al. |                         |
| D696,188 S   | 12/2013 | Loeck et al.   |         | 2013/0183562 A1   | 7/2013  | Workman et al. |                         |
| D699,181 S   | 2/2014  | Hung et al.    |         | 2014/0239717 A1   | 8/2014  | Prommel et al. |                         |
| D701,490 S   | 3/2014  | Inskeep        |         | 2016/0013673 A1 * | 1/2016  | Workman .....  | H01R 13/5202<br>320/114 |

\* cited by examiner

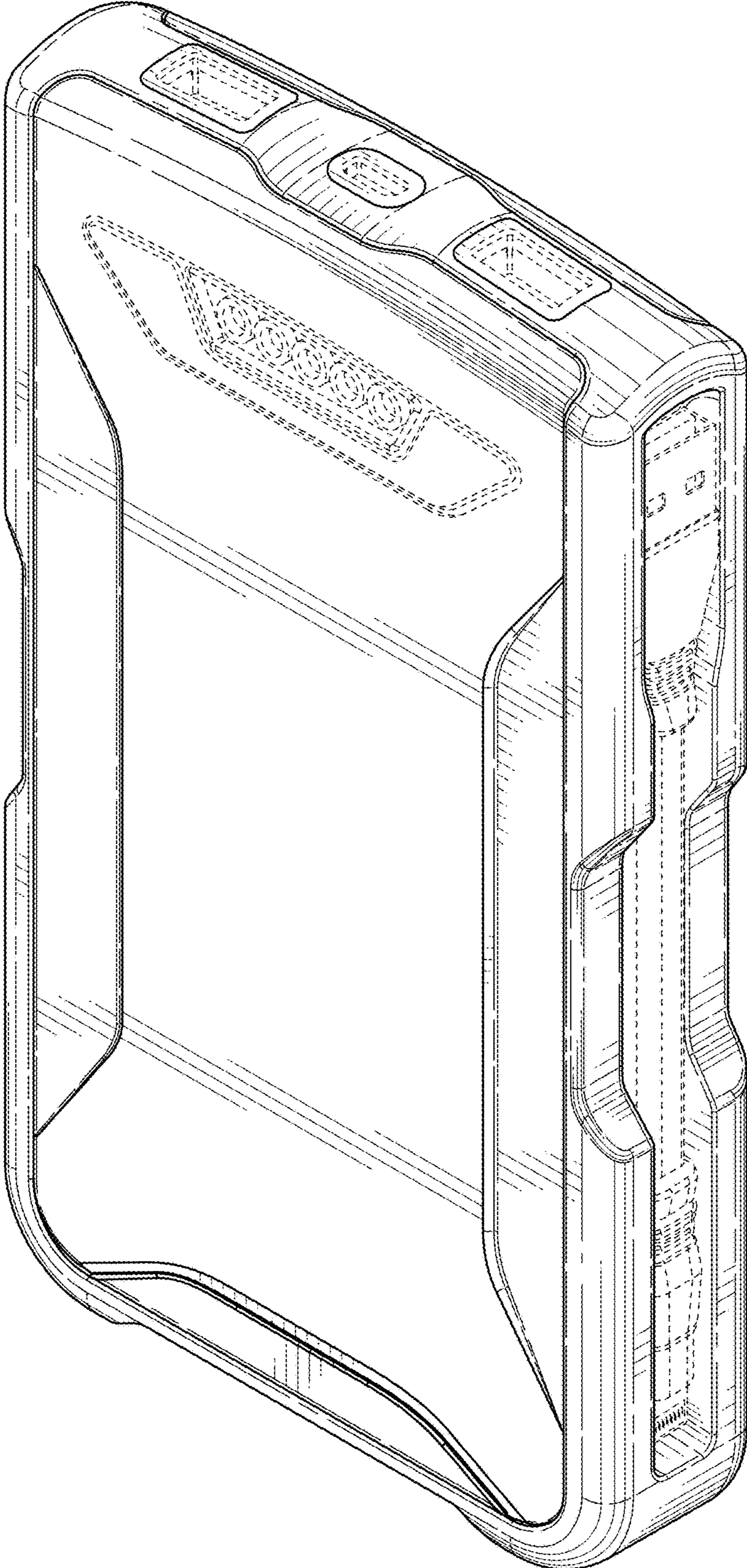


FIG. 1

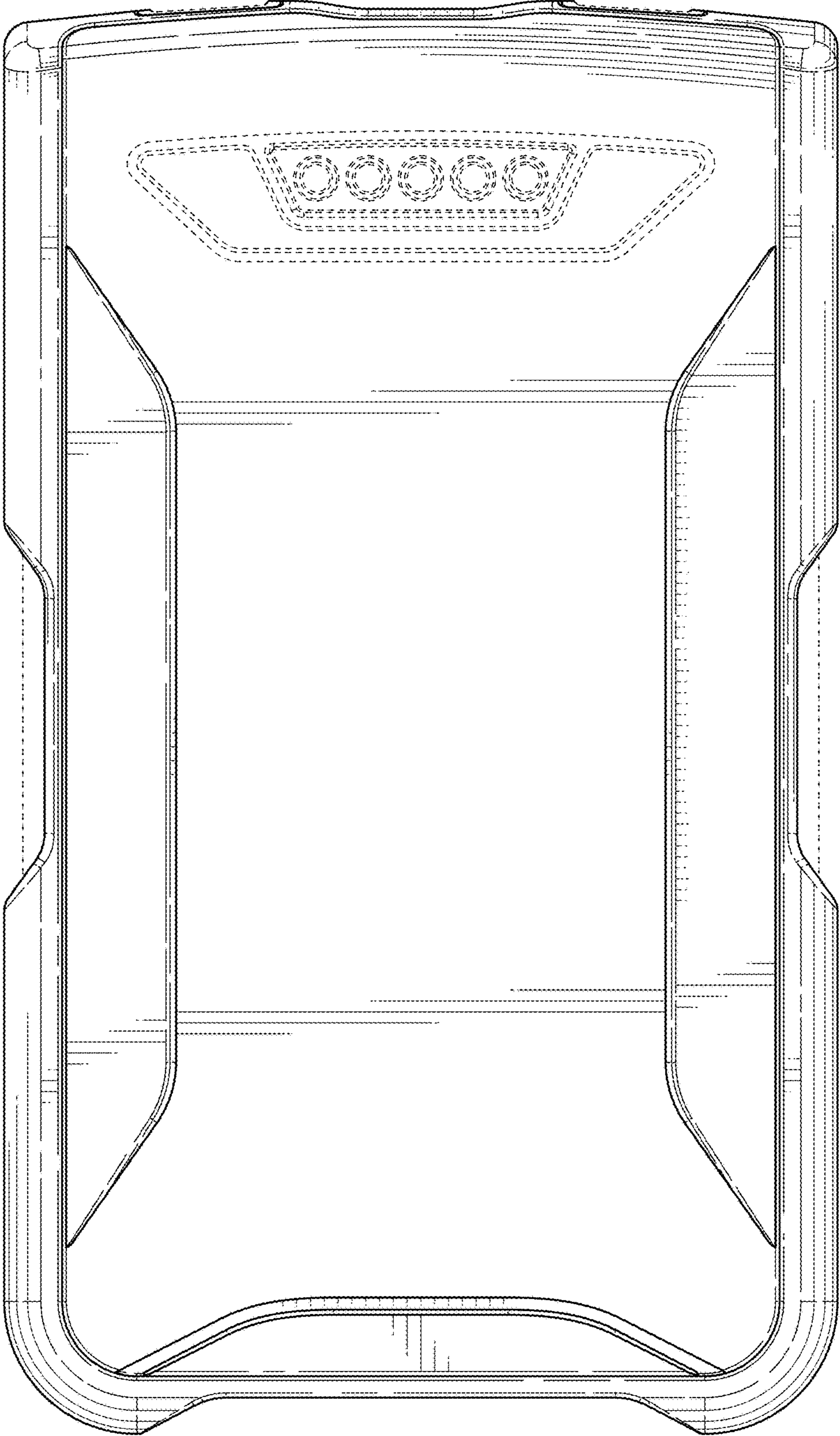


FIG. 2

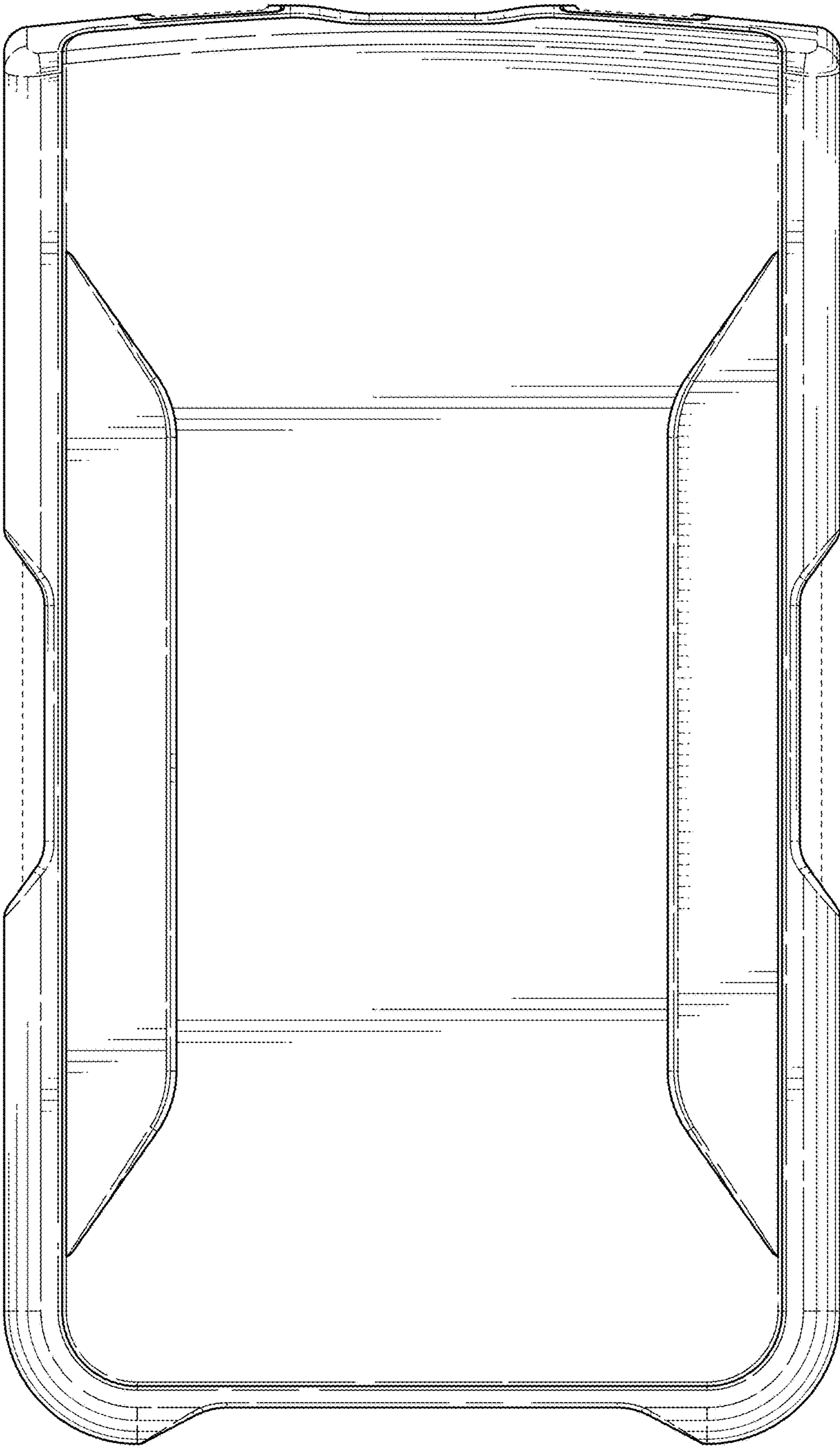


FIG. 3

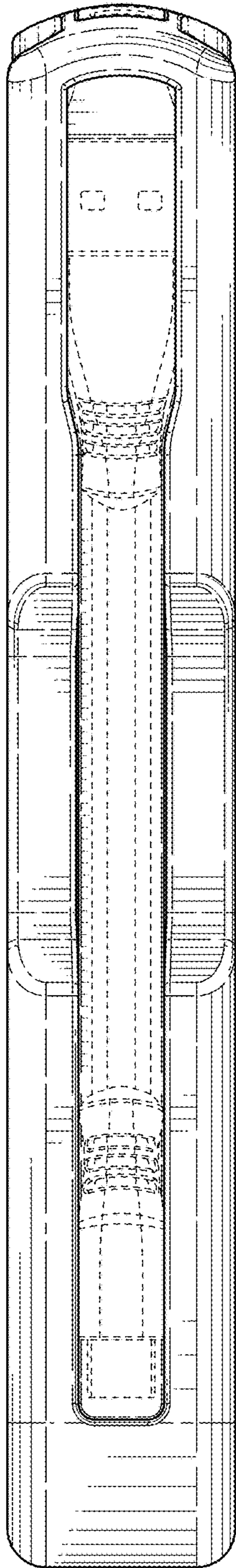


FIG. 4

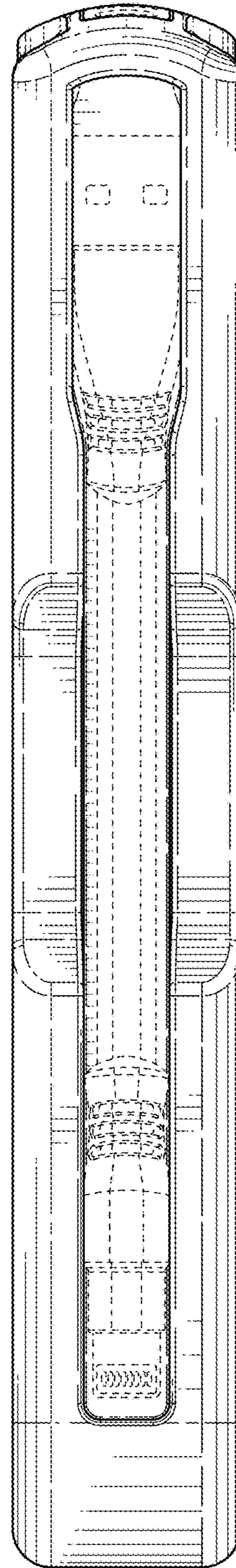


FIG. 5

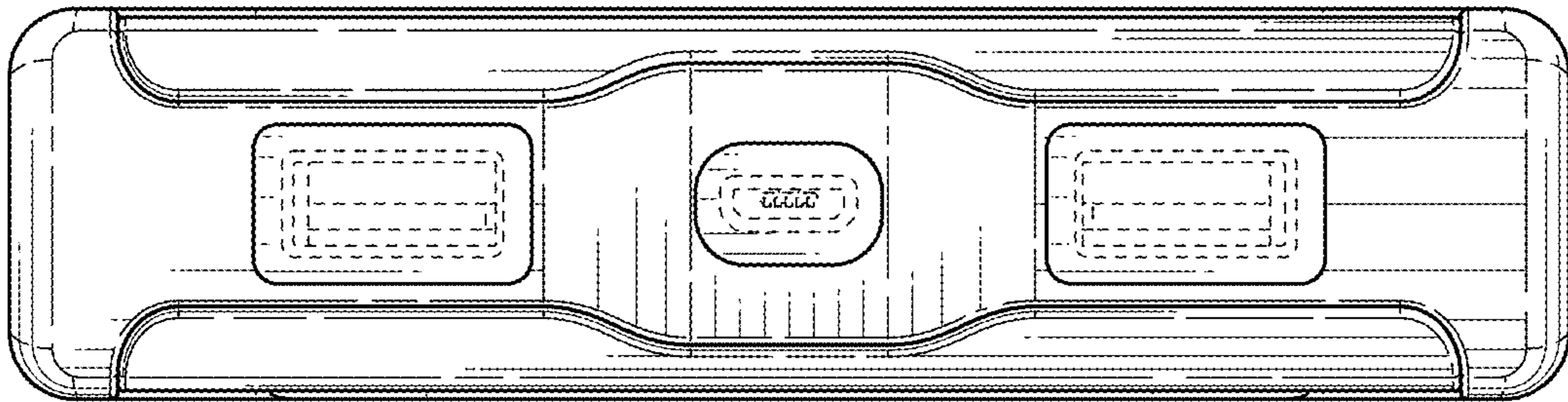


FIG. 6

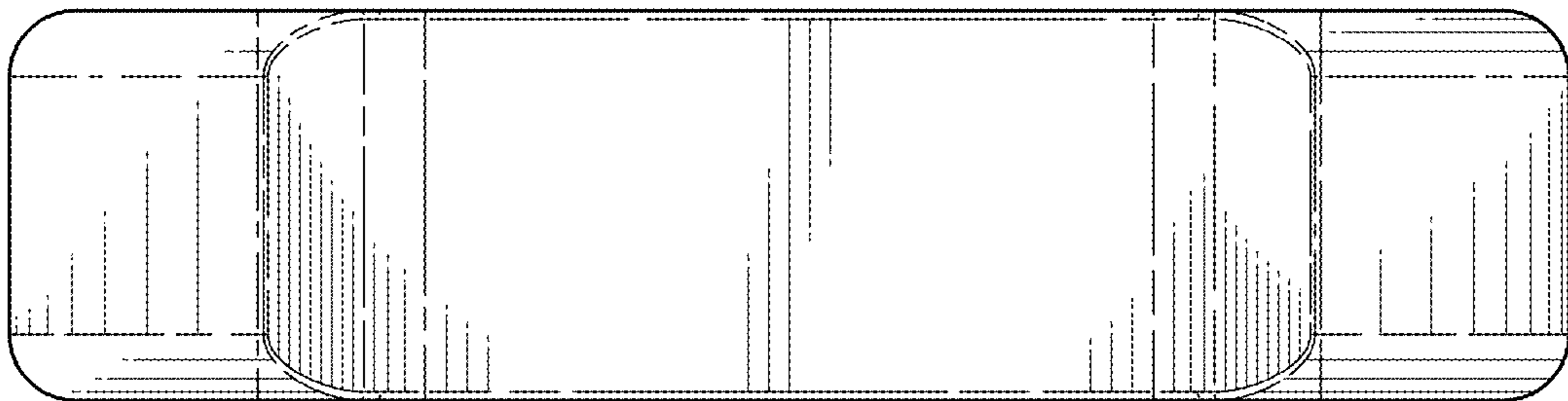


FIG. 7