



US00D813161S

(12) **United States Design Patent**  
**Ortakales et al.**

(10) **Patent No.:** **US D813,161 S**

(45) **Date of Patent:** **\*\* Mar. 20, 2018**

(54) **POWER SUPPLY**

(71) Applicant: **Hypertherm, Inc.**, Hanover, MA (US)

(72) Inventors: **Jeffrey Ortakales**, Newbury, NH (US);  
**Scott A. Leonard**, Bedford, NH (US);  
**Matthew C. Harris**, Kittery, ME (US)

(73) Assignee: **Hypertherm, Inc.**, Hanover, NH (US)

(\*\*) Term: **15 Years**

(21) Appl. No.: **29/568,758**

(22) Filed: **Jun. 21, 2016**

(51) **LOC (11) Cl.** ..... **13-02**

(52) **U.S. Cl.**  
USPC ..... **D13/110**

(58) **Field of Classification Search**

USPC ..... D13/110, 101, 102, 103, 107, 108, 118,  
D13/119, 123, 184, 199; 307/62, 82,  
307/109, 150, 151; 320/104, 107, 111,  
320/112, 113, 115, 132, 134, 150;  
361/600, 601, 623; 429/96, 97, 98, 99,  
429/100, 163, 170, 176  
CPC .. H02J 7/00; H02J 7/027; H02J 7/0042; H02J  
7/0045; H02J 7/0047; H02J 7/0063;  
H02M 7/00; H02M 7/003; H01M 2/202;  
H01M 2/204; H01M 2/1022; H01M  
2/342; H05K 5/023

See application file for complete search history.

(56) **References Cited**

**U.S. PATENT DOCUMENTS**

D280,318 S *	8/1985	Barone	.....	D13/110
D377,335 S *	1/1997	Katooka	.....	D13/110
D386,148 S *	11/1997	Katooka	.....	D13/110
D527,340 S *	8/2006	Christiani	.....	D13/107
D624,876 S *	10/2010	Daniels	.....	D13/107
D658,581 S *	5/2012	Reade	.....	D13/110
D668,221 S *	10/2012	McKune	.....	D13/110
D695,680 S *	12/2013	Workman	.....	D13/103

D706,217 S *	6/2014	McKune	.....	D13/110
2001/0043052 A1 *	11/2001	Griffey	.....	H02J 7/0042 320/114
2012/0025766 A1 *	2/2012	Reade	.....	H02J 7/0042 320/110

\* cited by examiner

*Primary Examiner* — Derrick Holland

(74) *Attorney, Agent, or Firm* — Proskauer Rose LLP

(57) **CLAIM**

The ornamental design for a power supply, as shown and described.

**DESCRIPTION**

FIG. 1 is a left front isometric view of a first embodiment of a power supply;

FIG. 2 is a right front isometric view thereof;

FIG. 3 is a right rear isometric view thereof;

FIG. 4 is a left rear isometric view thereof;

FIG. 5 is a front elevation view thereof;

FIG. 6 is a rear elevation view thereof;

FIG. 7 is a left side elevation view thereof;

FIG. 8 is a right side elevation view thereof;

FIG. 9 is a top plan view thereof;

FIG. 10 is a bottom plan view thereof;

FIG. 11 is a left front isometric view of a second embodiment of a power supply;

FIG. 12 is a right front isometric view thereof;

FIG. 13 is a right rear isometric view thereof;

FIG. 14 is a left rear isometric view thereof;

FIG. 15 is a front elevation view thereof;

FIG. 16 is a rear elevation view thereof;

FIG. 17 is a left side elevation view thereof;

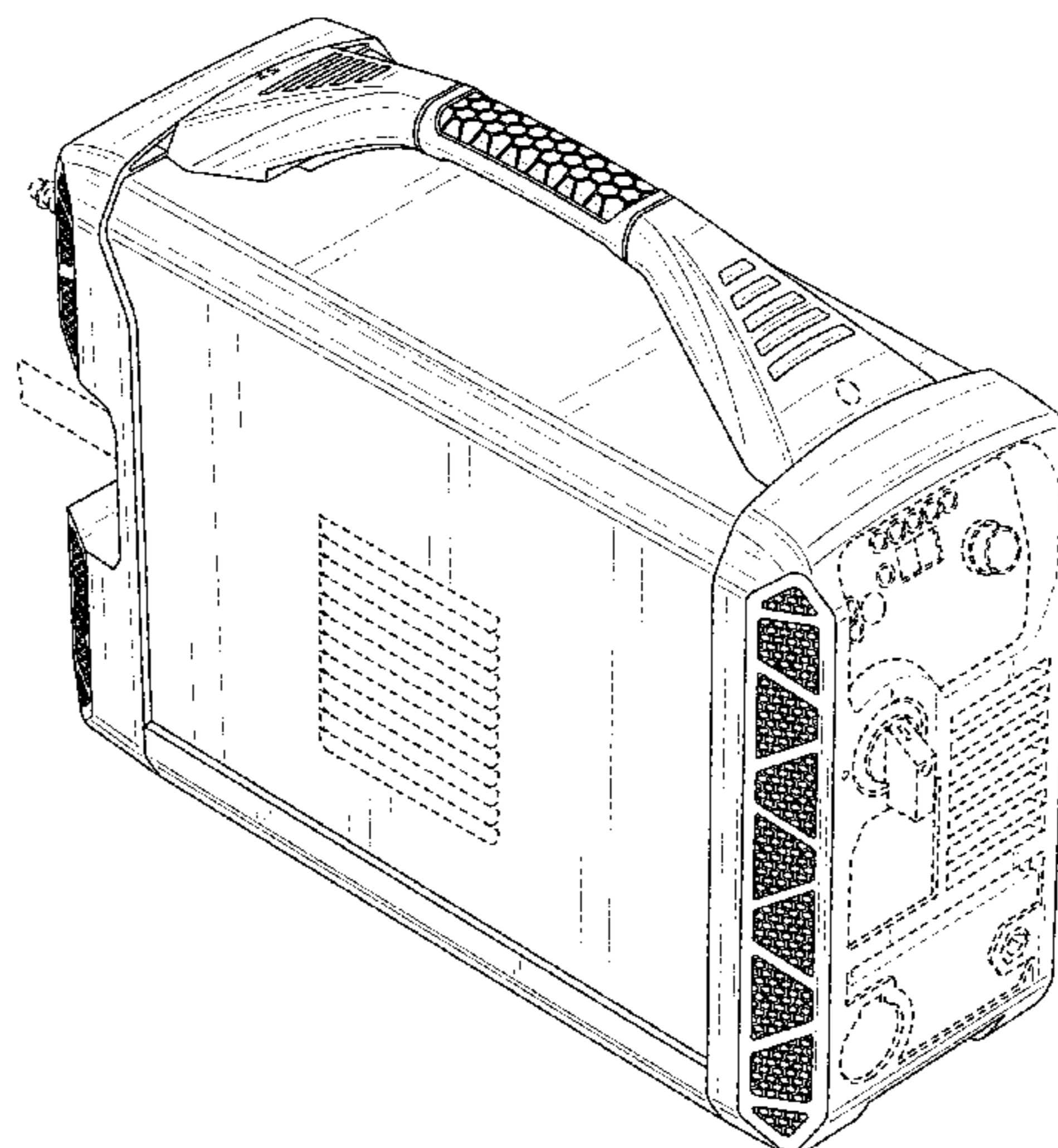
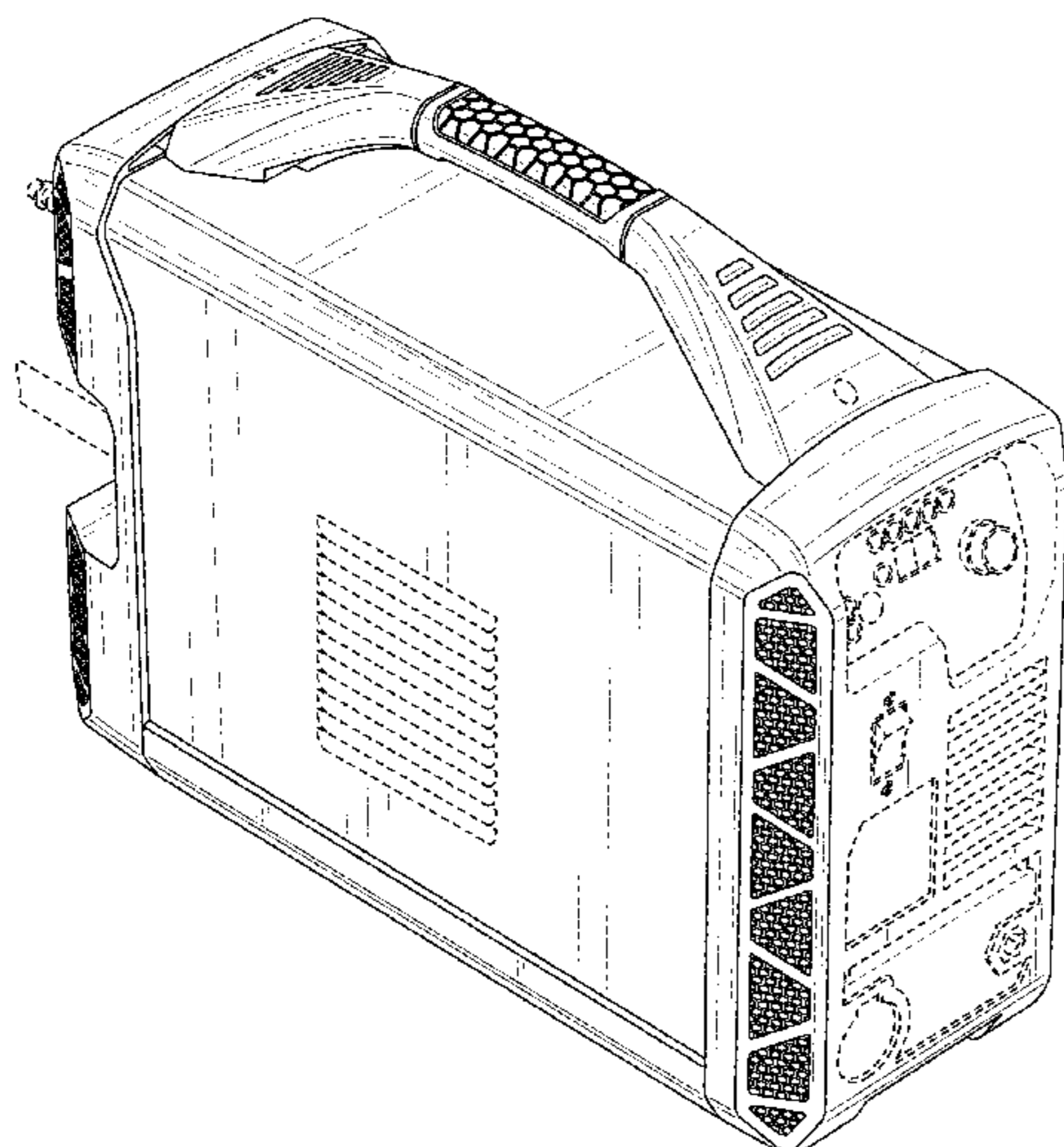
FIG. 18 is a right side elevation view thereof;

FIG. 19 is a top plan view thereof; and,

FIG. 20 is a bottom plan view thereof.

The broken lines shown represent unclaimed subject matter and form no part of the claimed design.

**1 Claim, 20 Drawing Sheets**



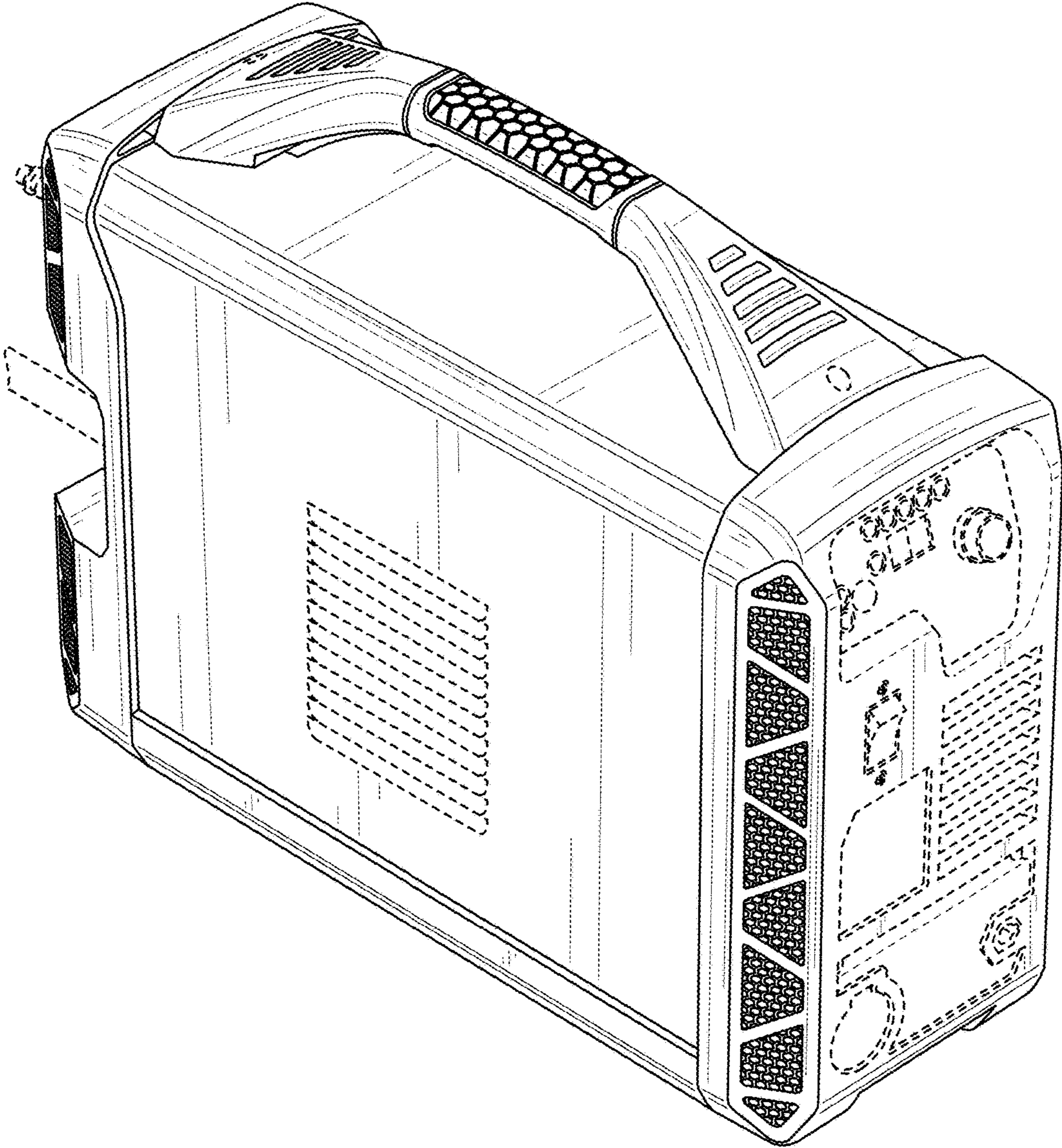


FIG. 1

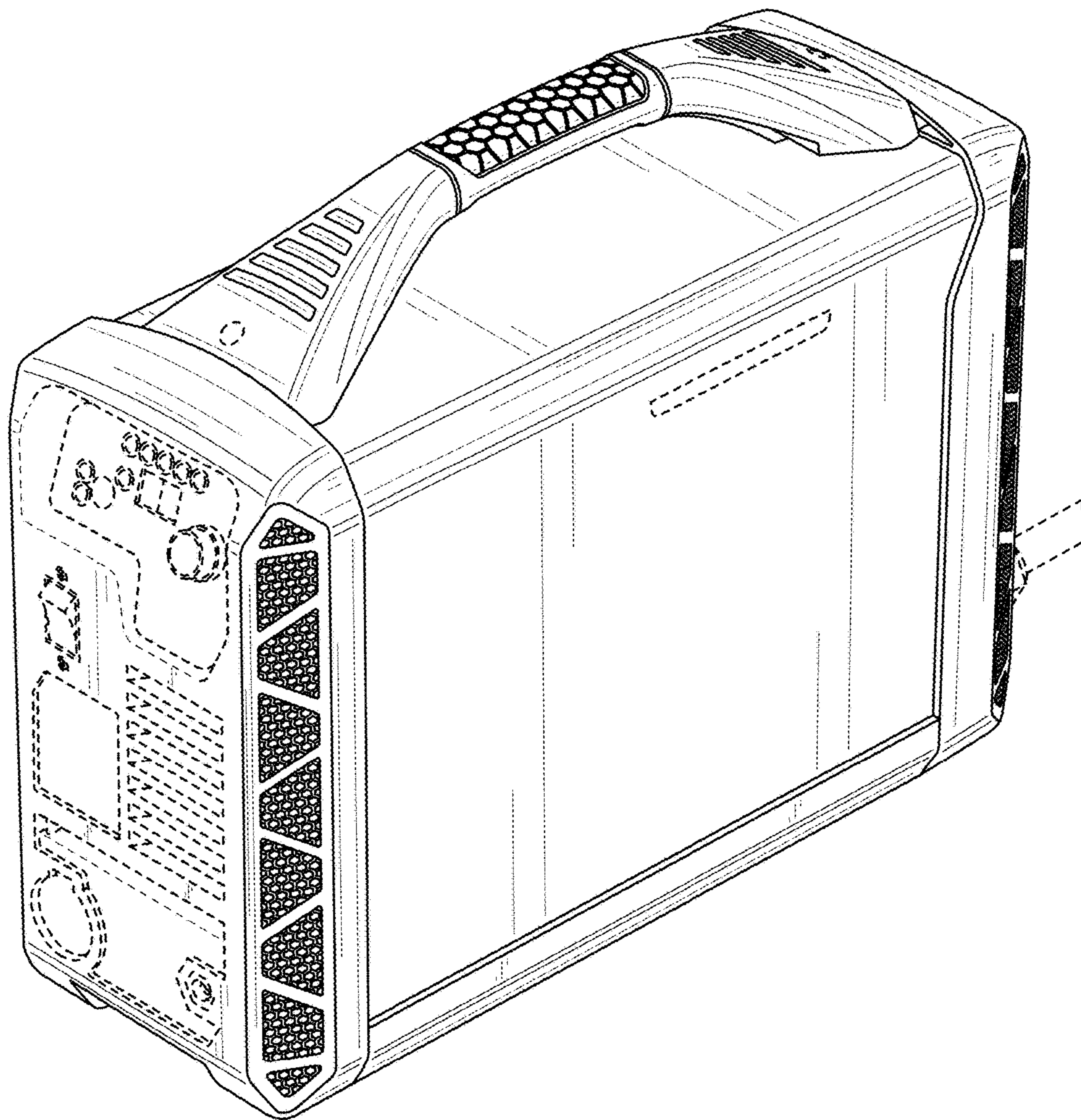


FIG. 2

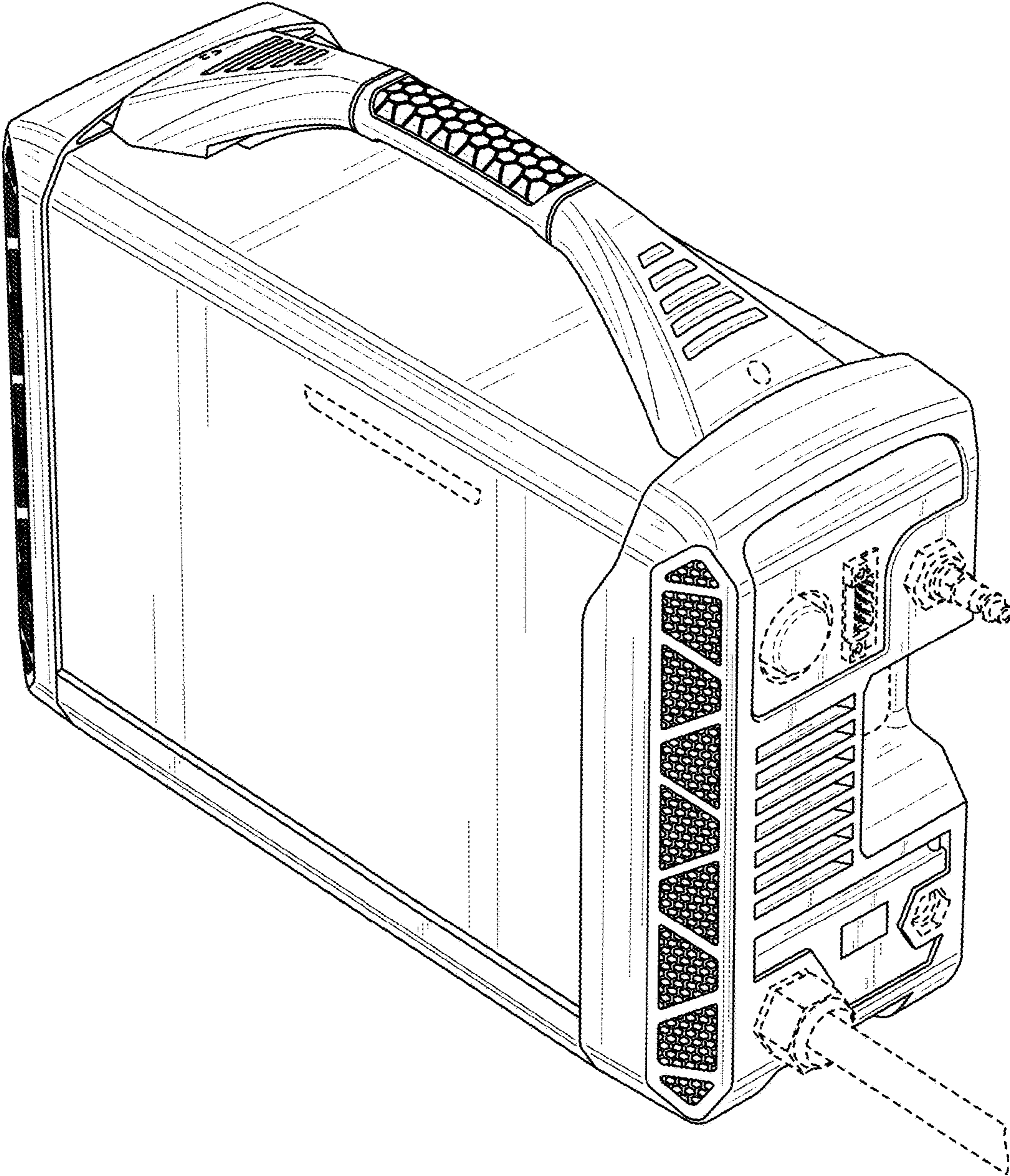


FIG. 3

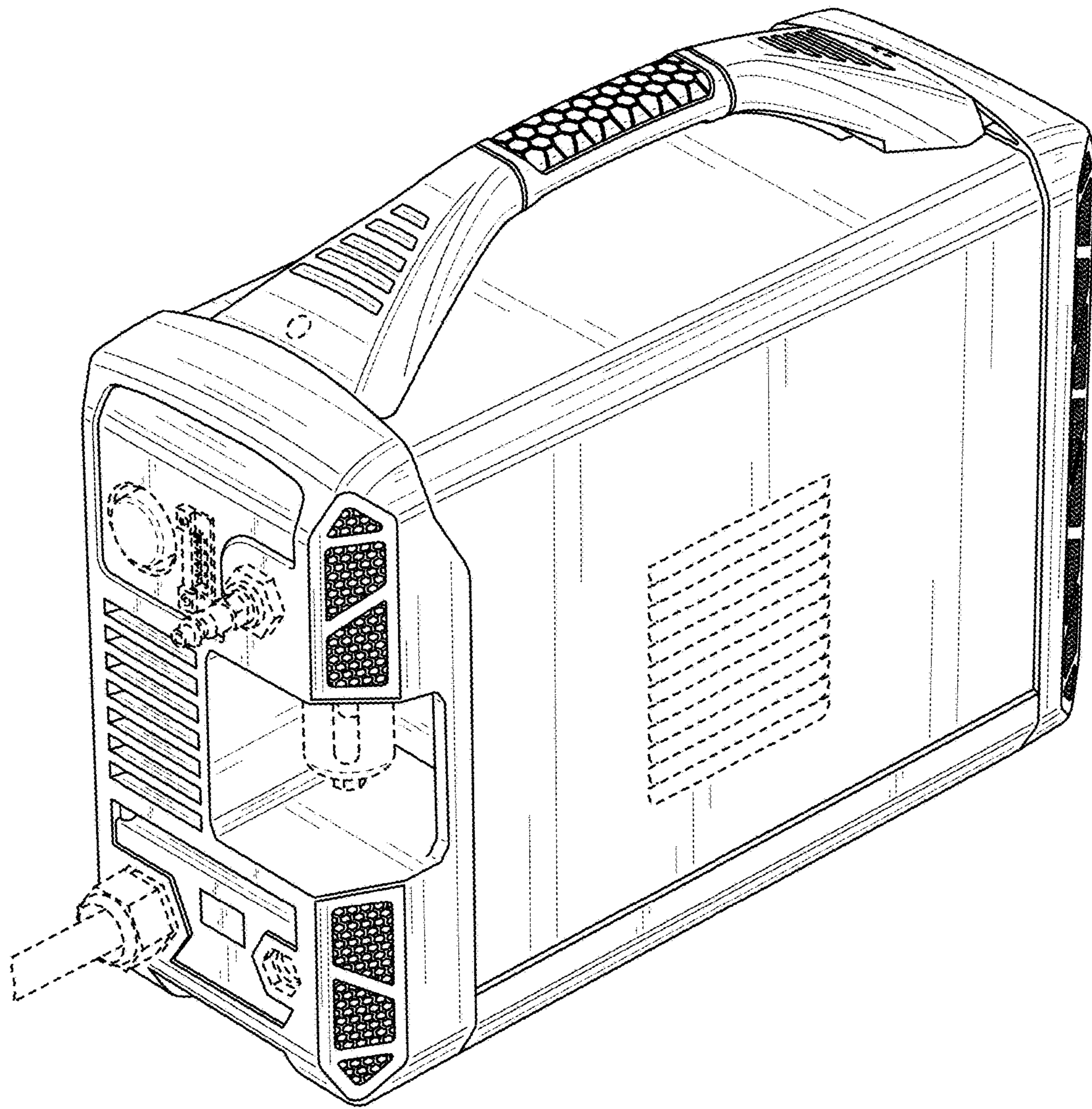


FIG. 4

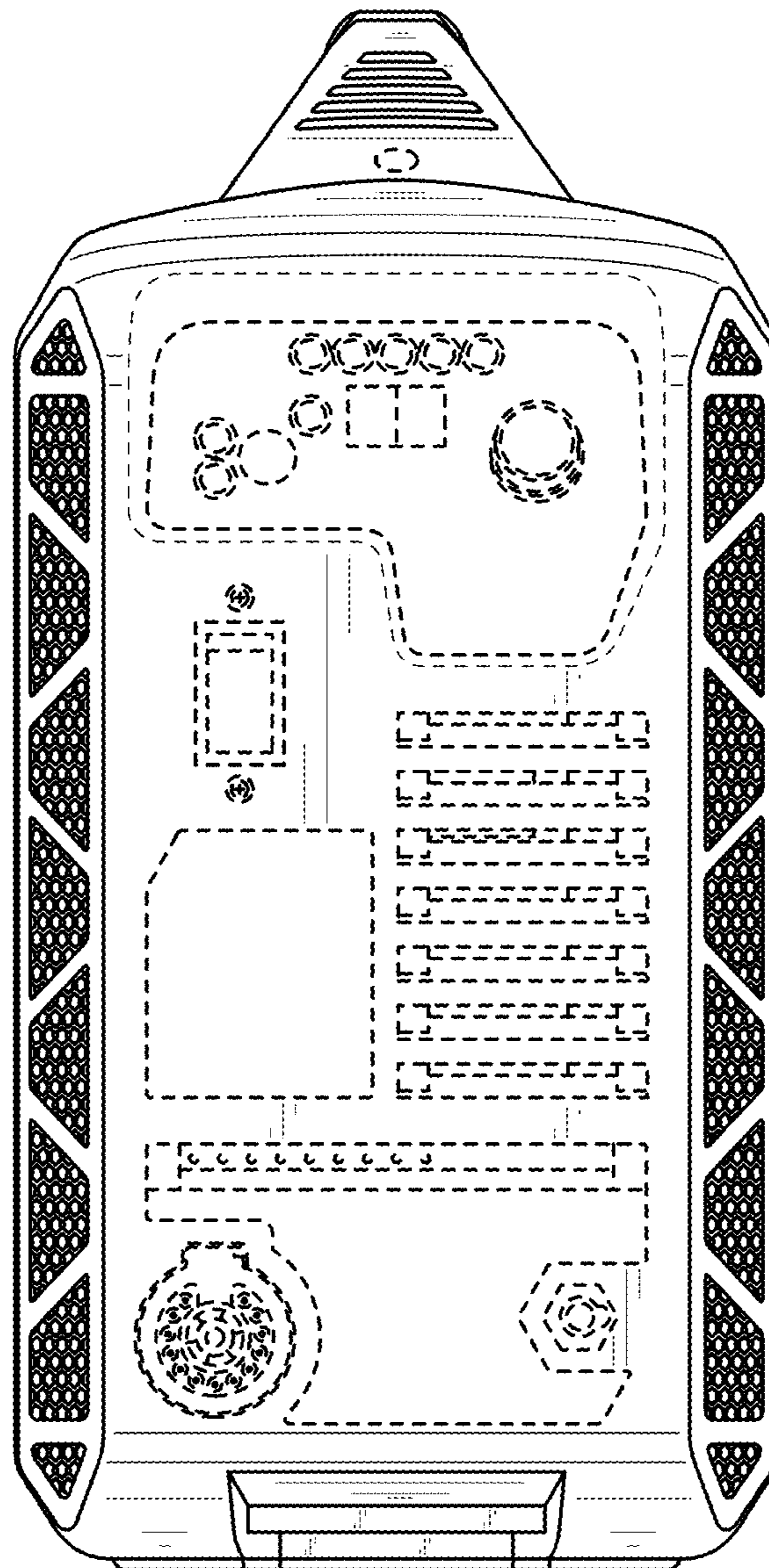


FIG. 5

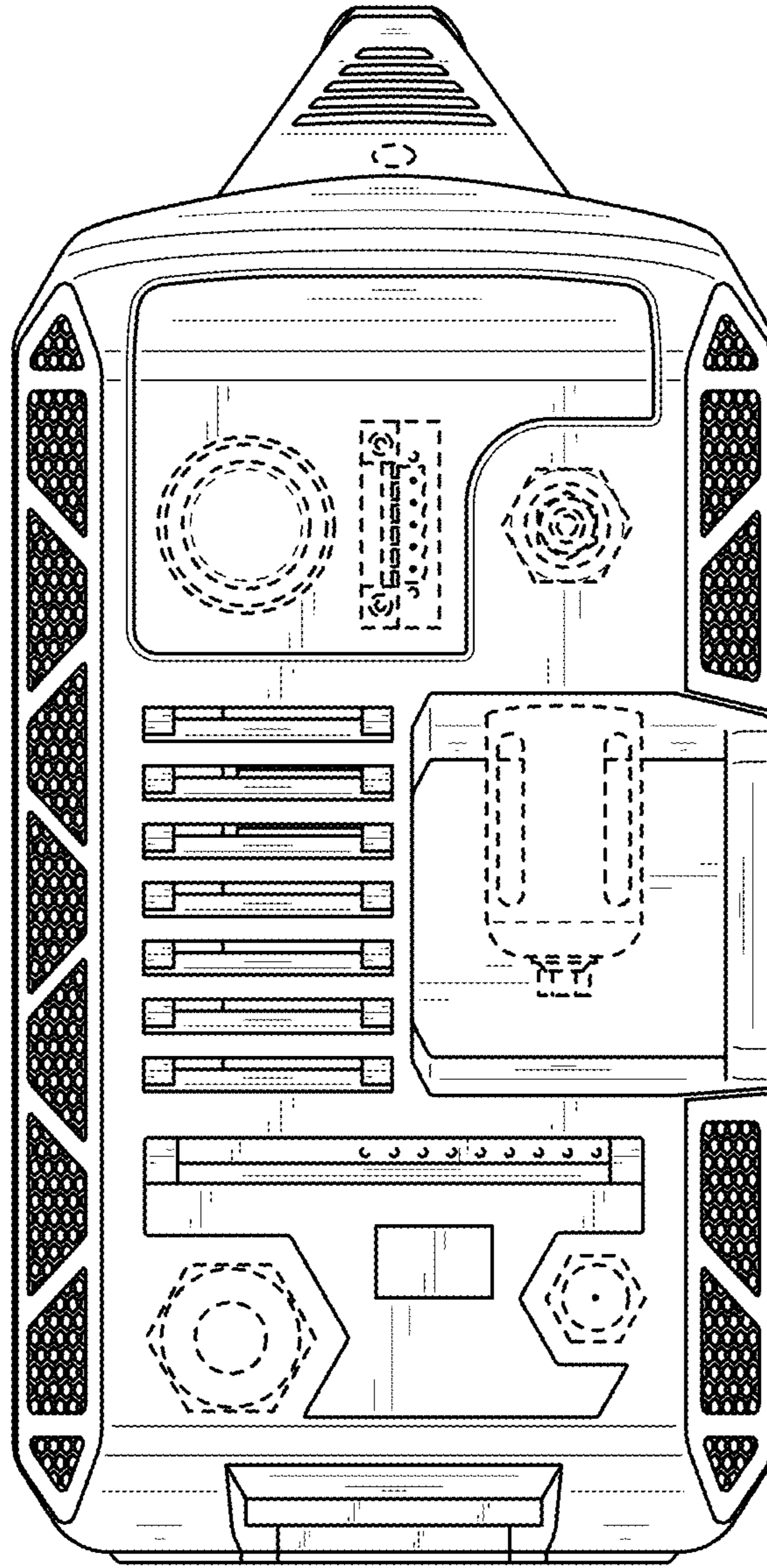


FIG. 6

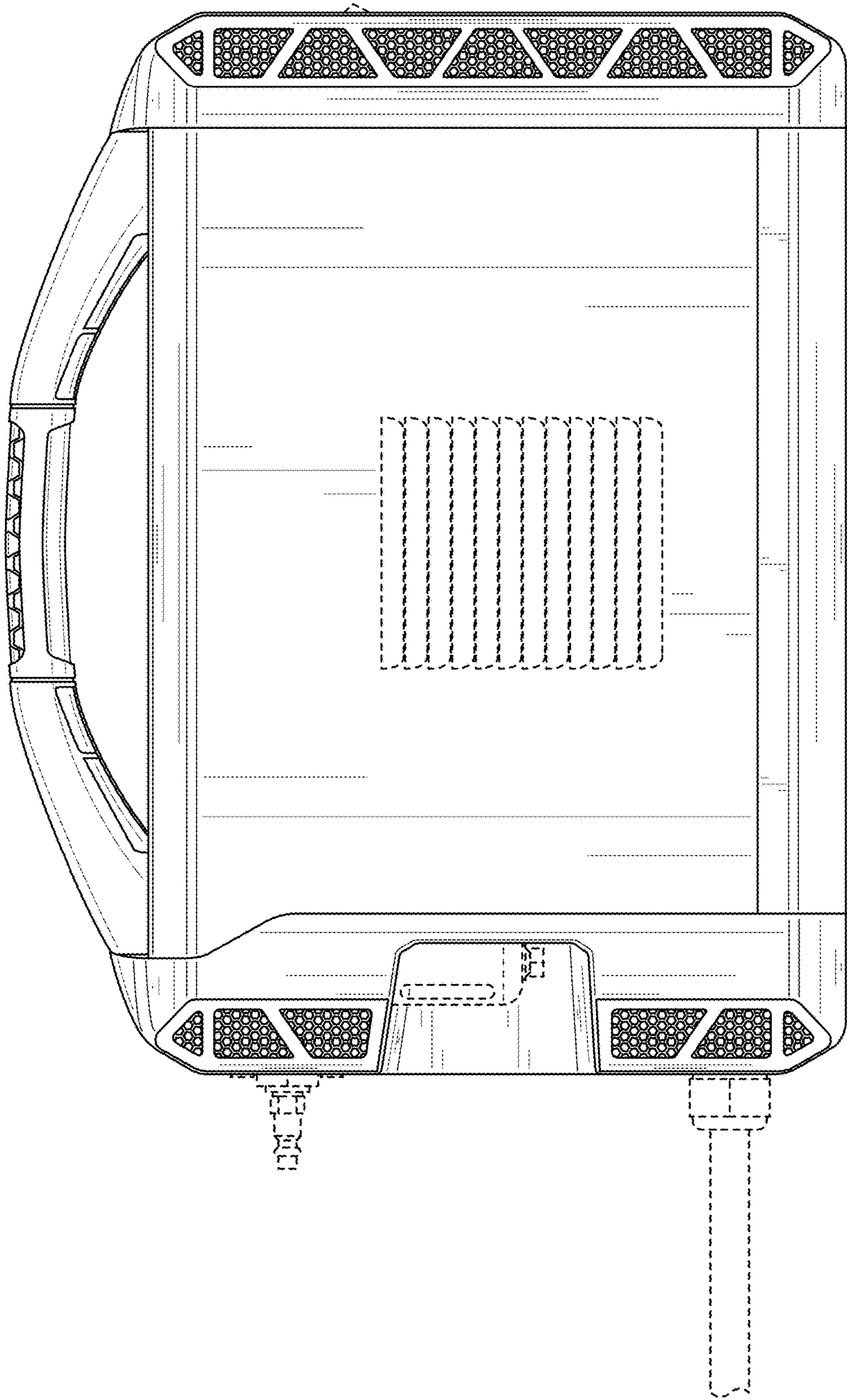


FIG. 7



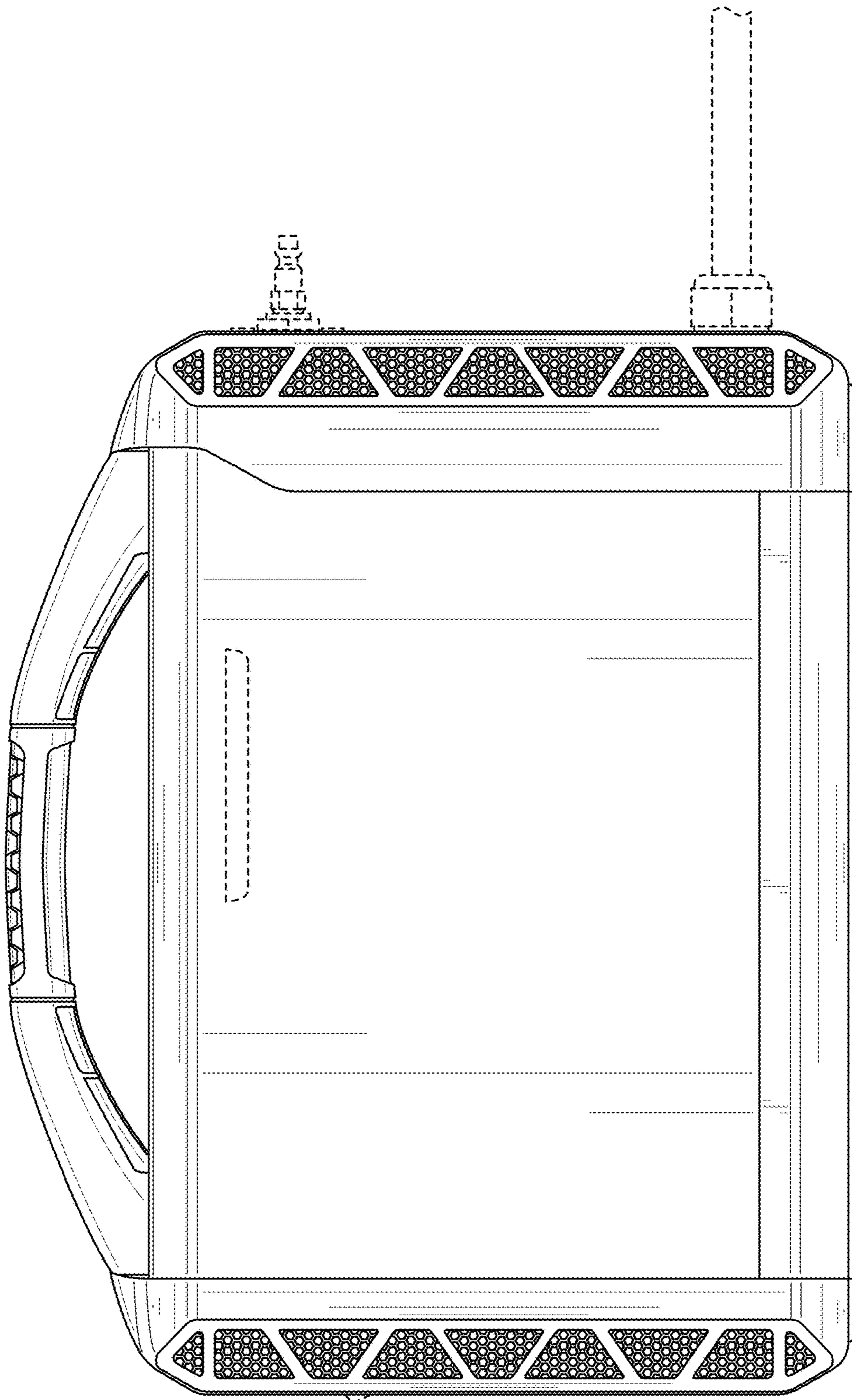


FIG. 8

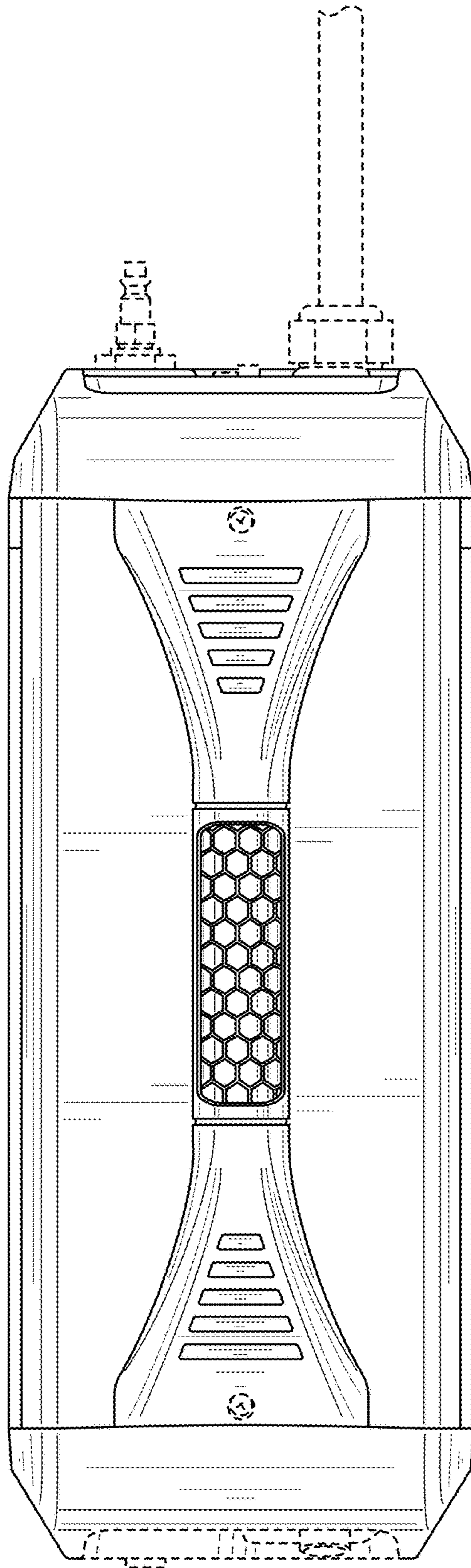


FIG. 9

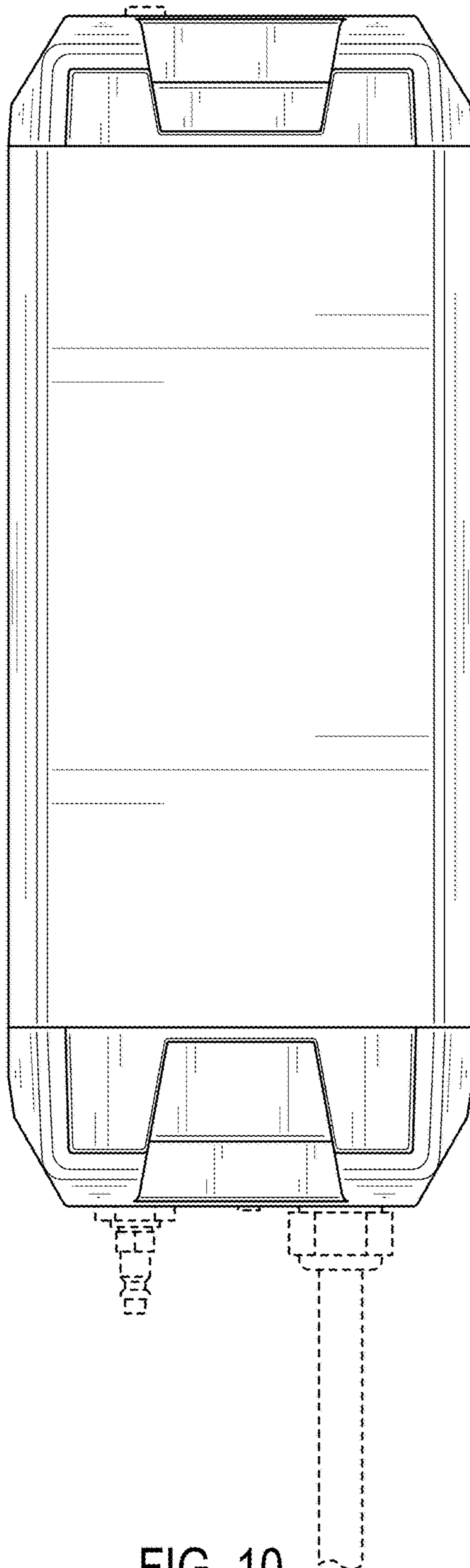


FIG. 10

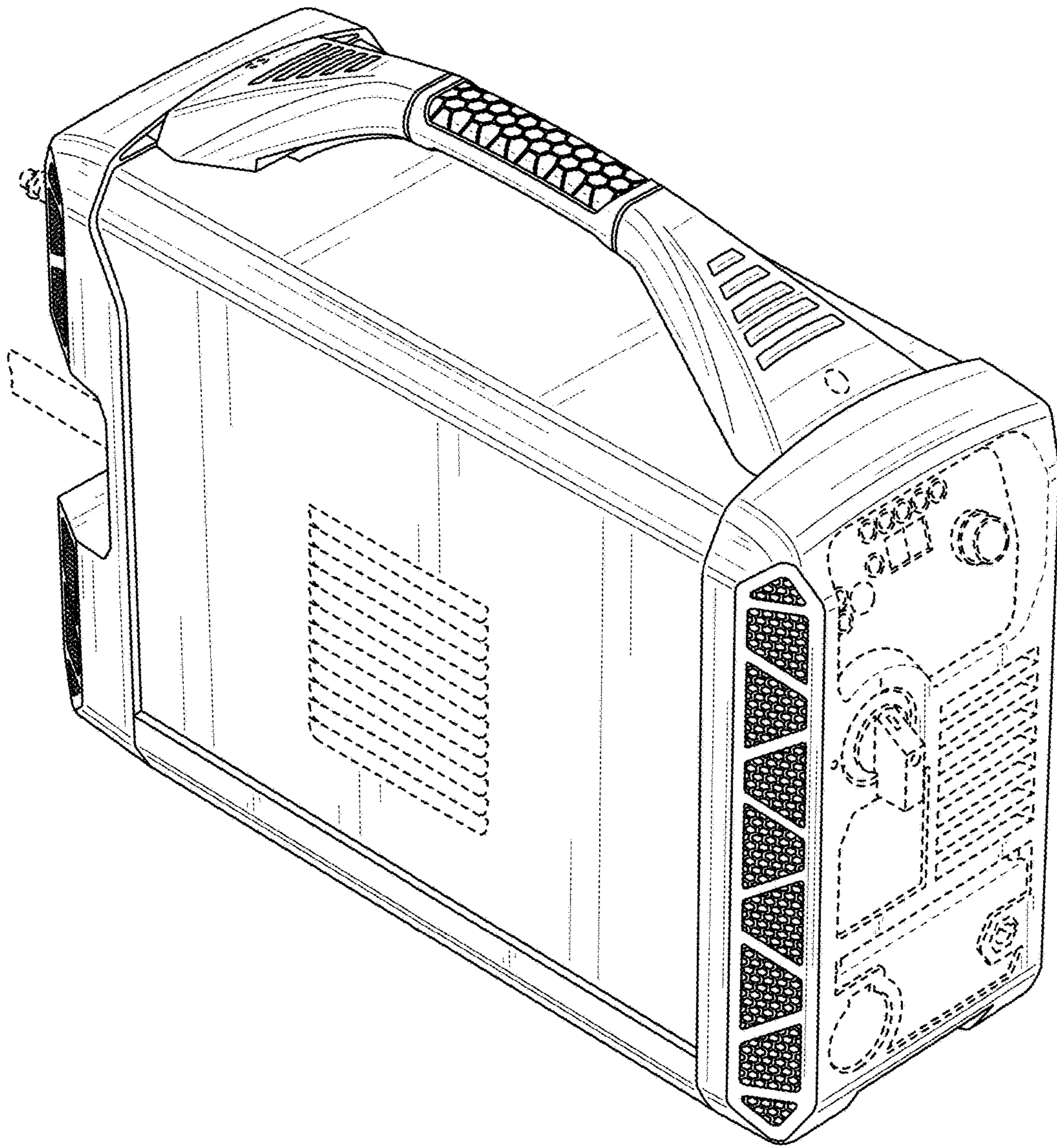


FIG. 11

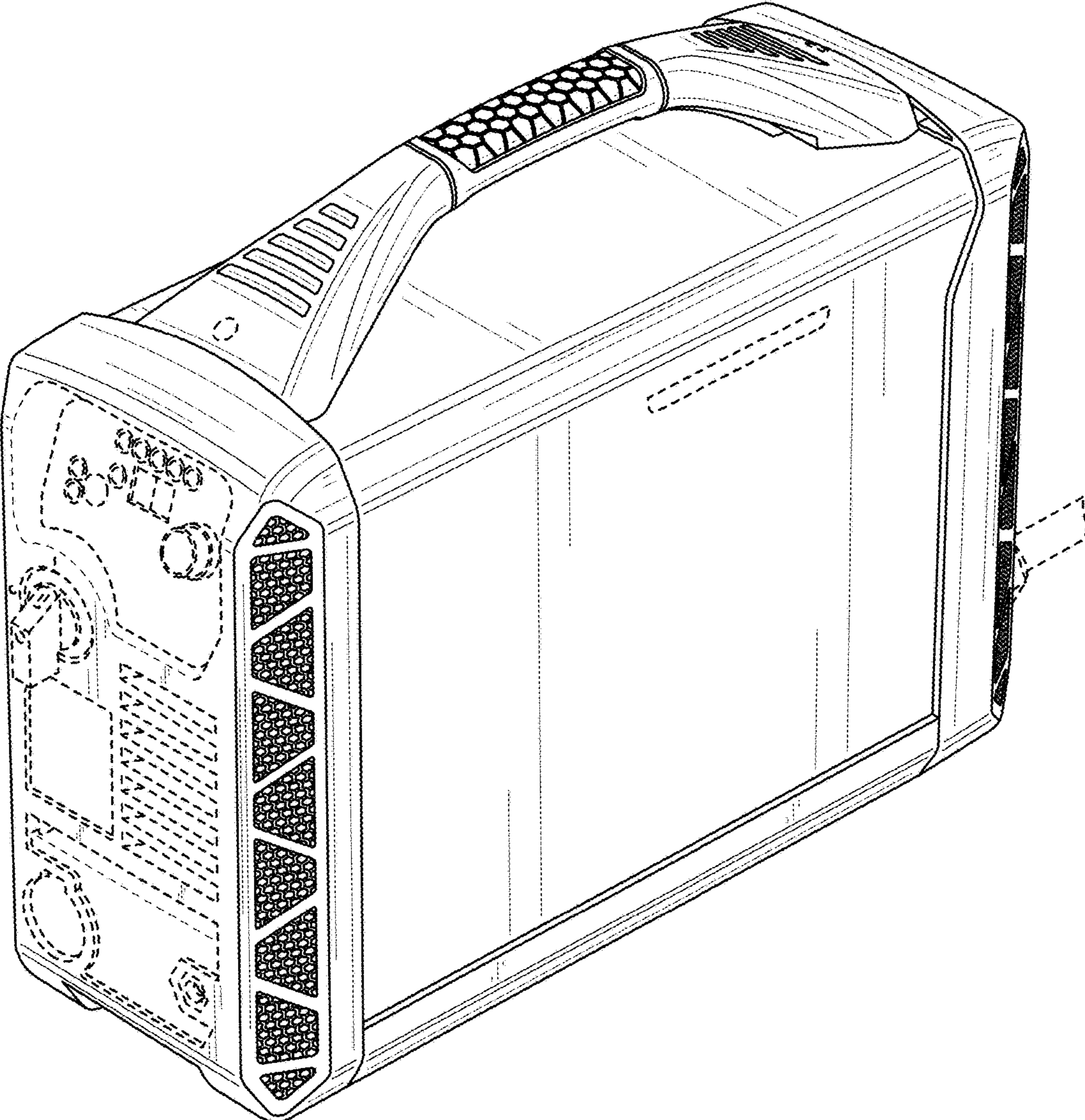


FIG. 12

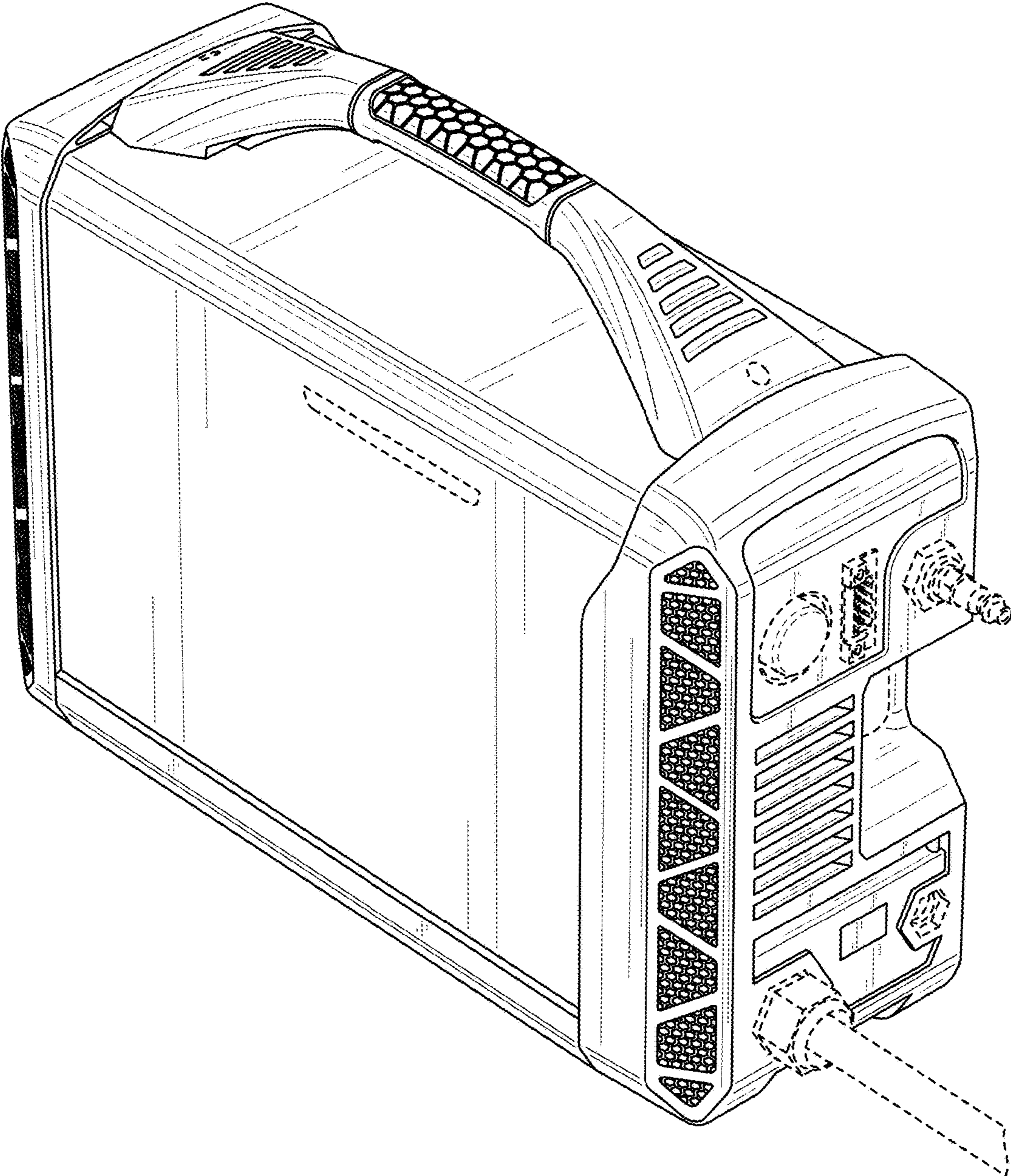


FIG. 13

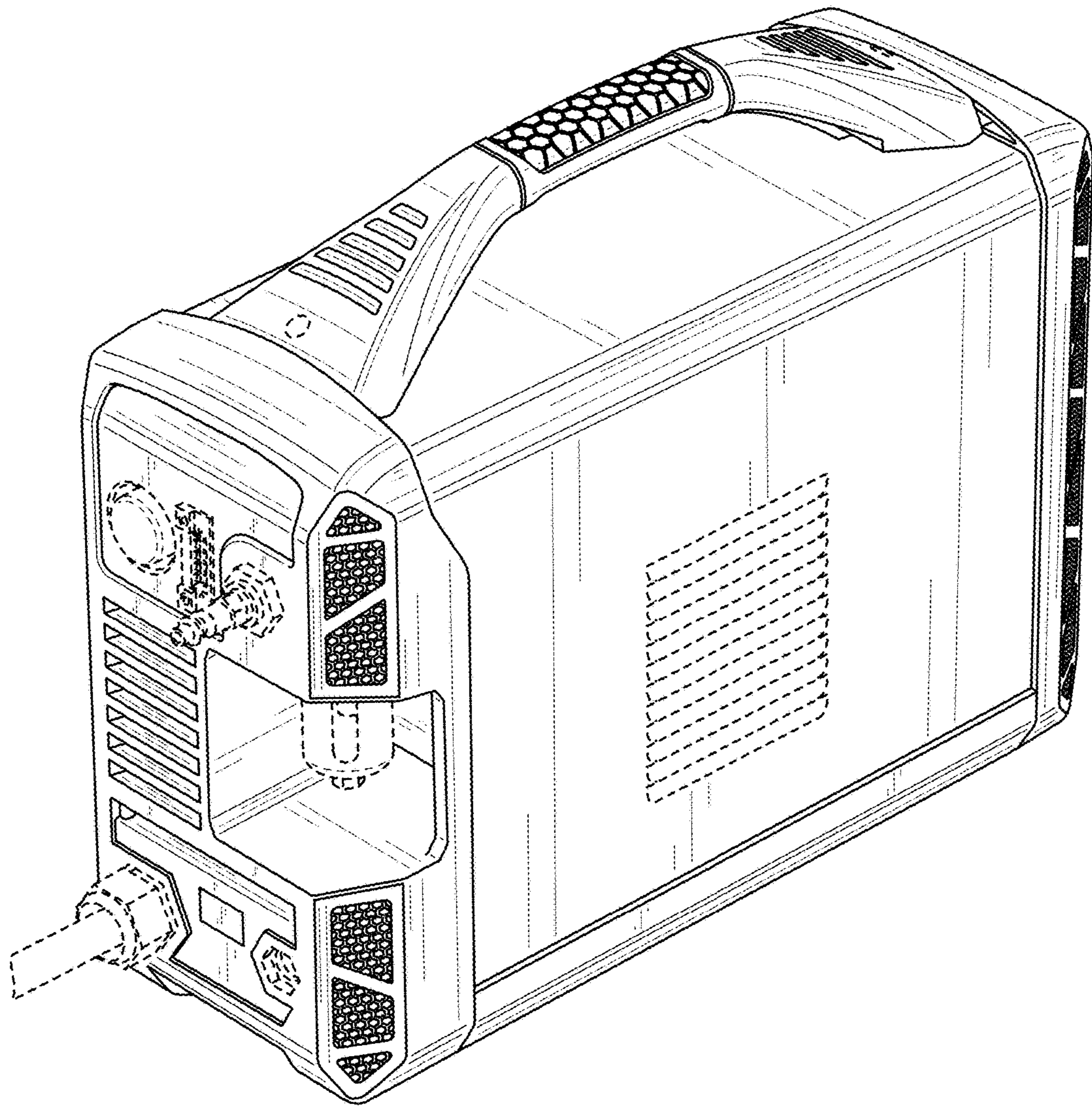


FIG. 14

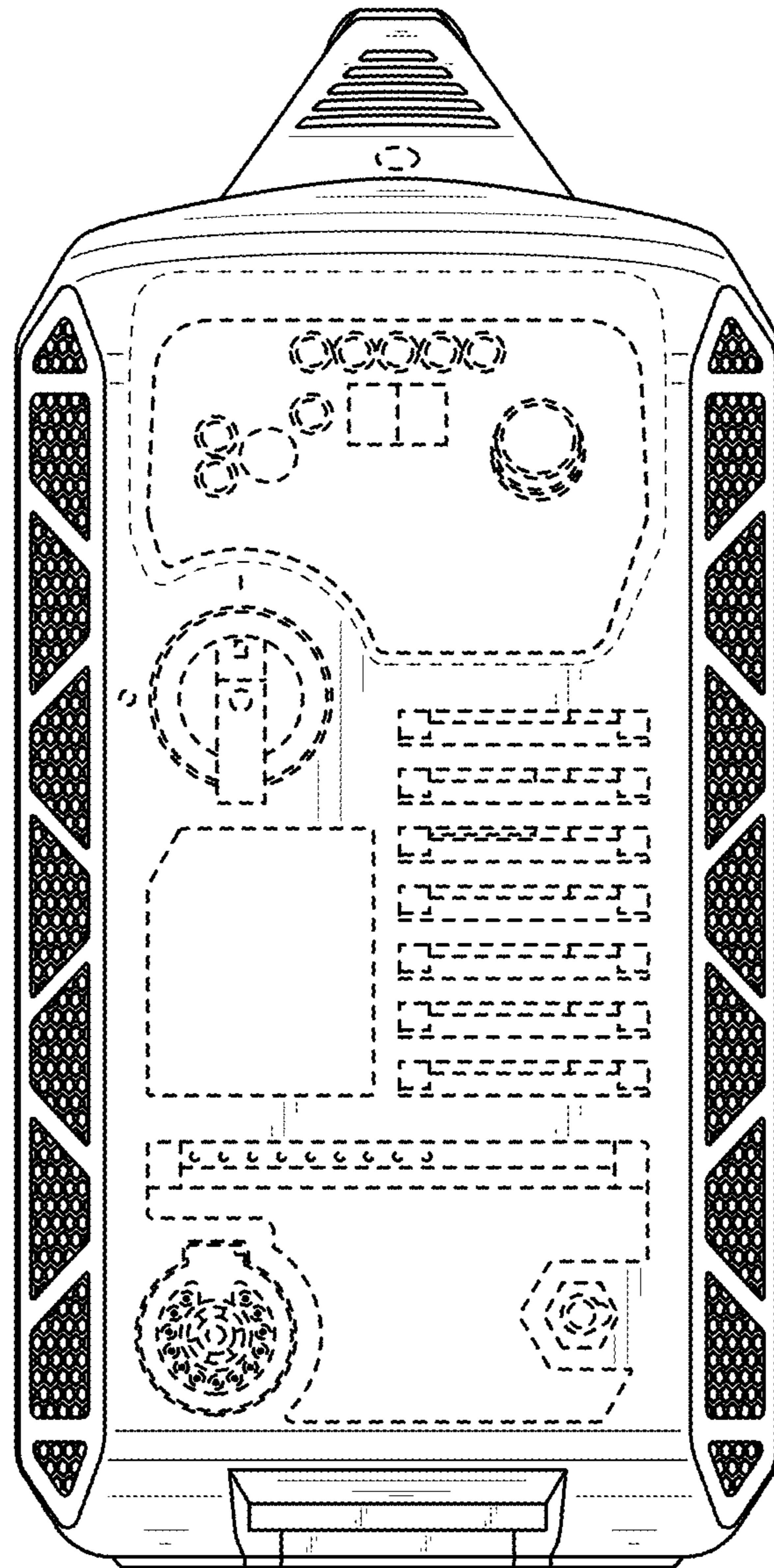


FIG. 15



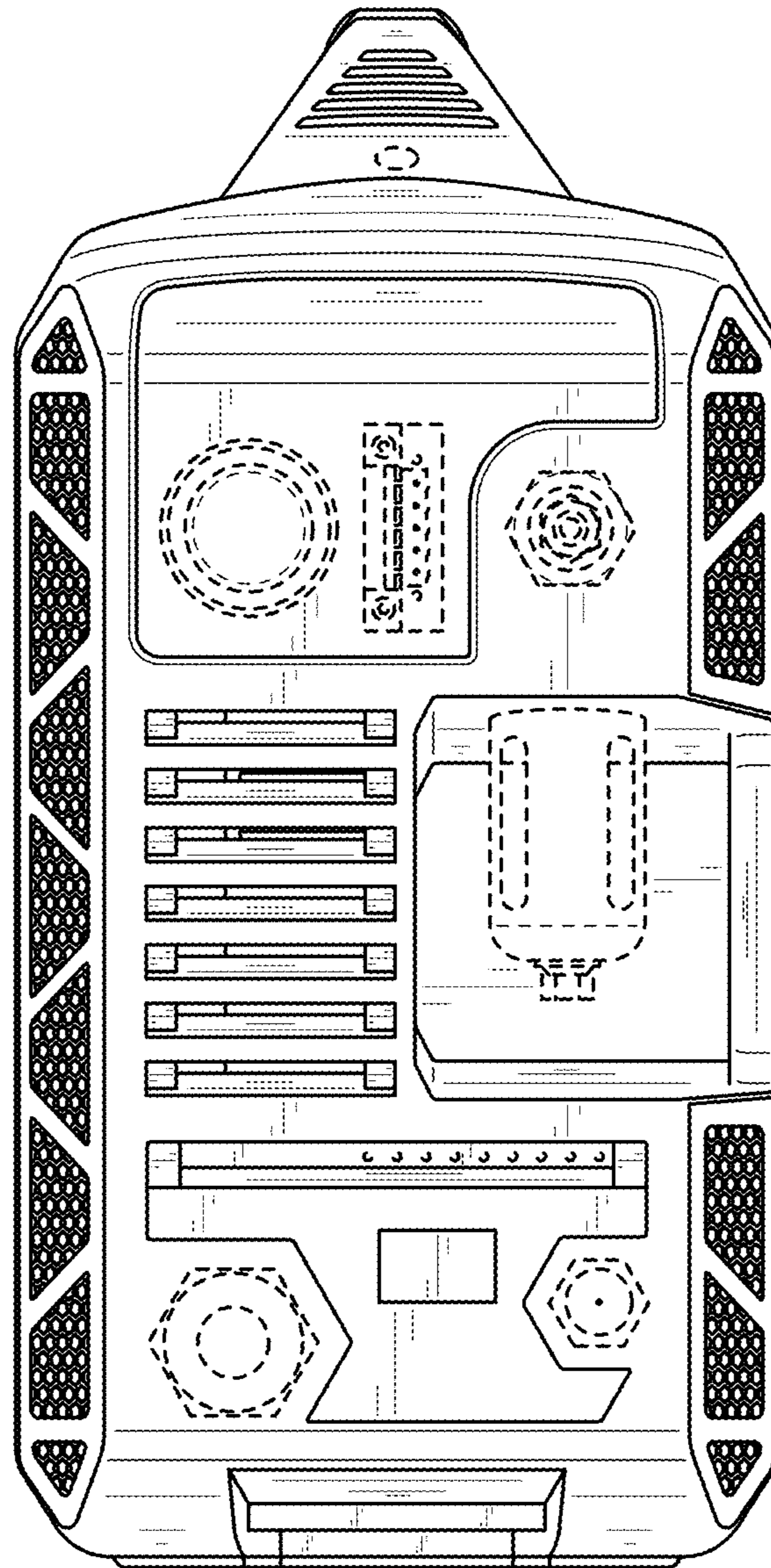


FIG. 16

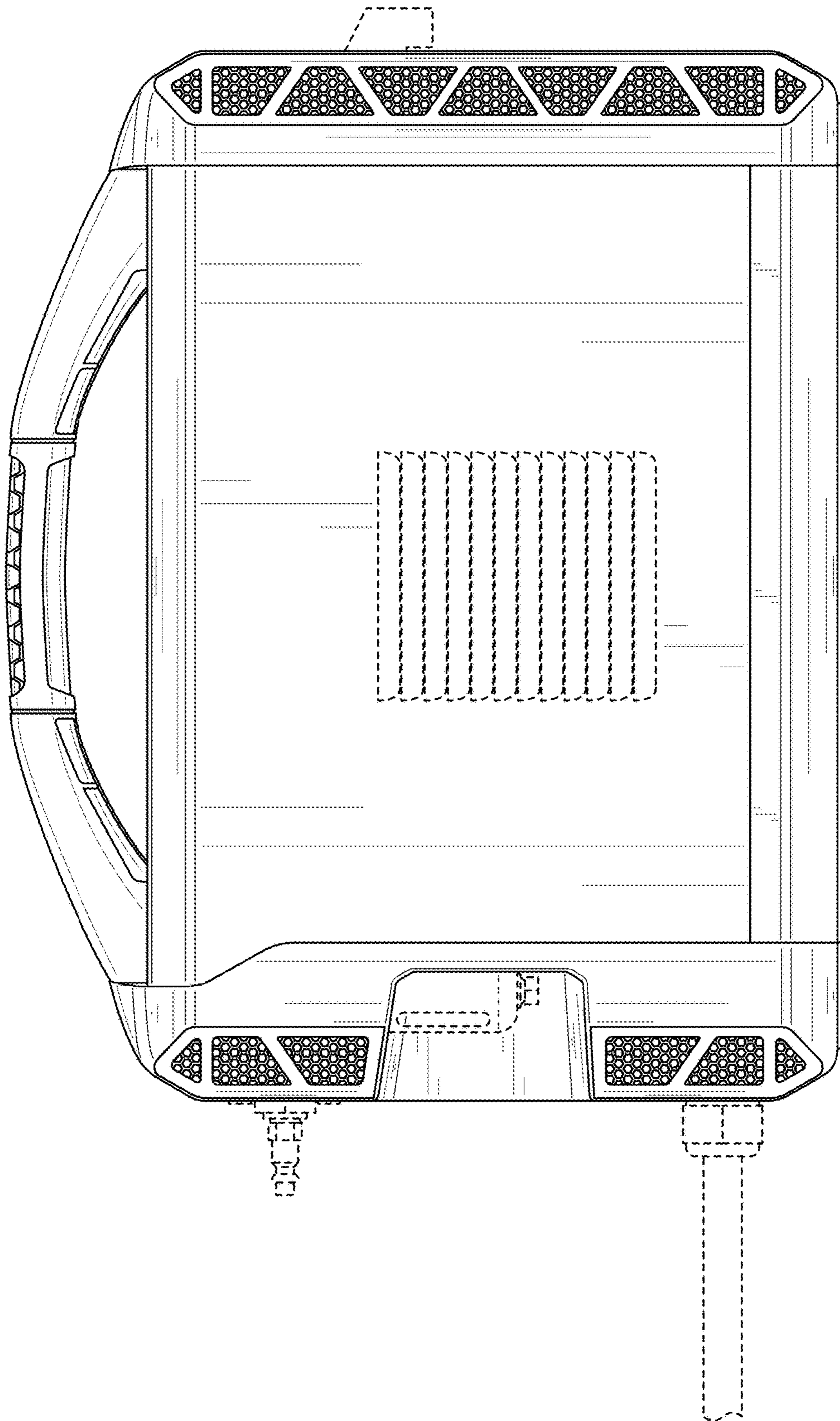


FIG. 17

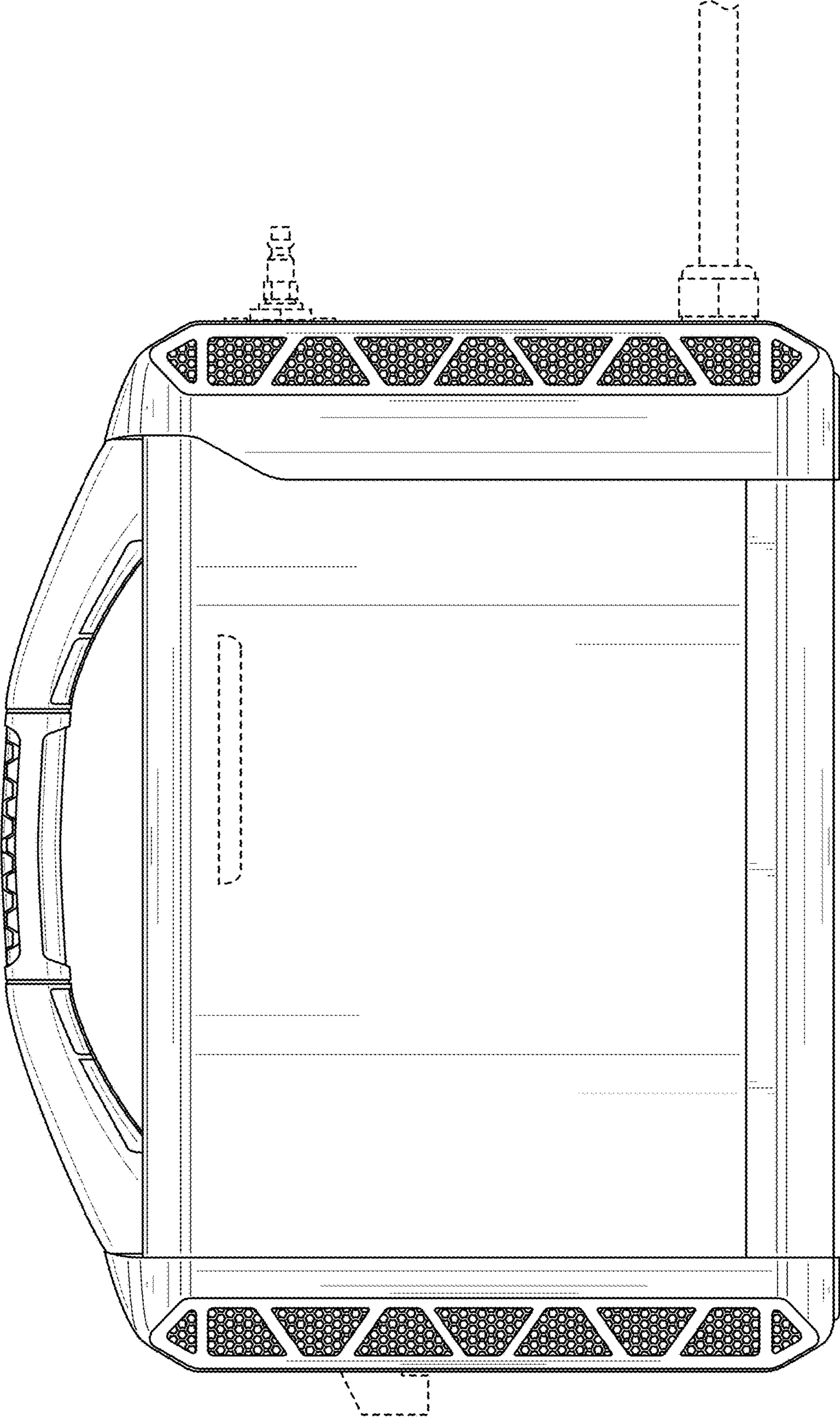


FIG. 18

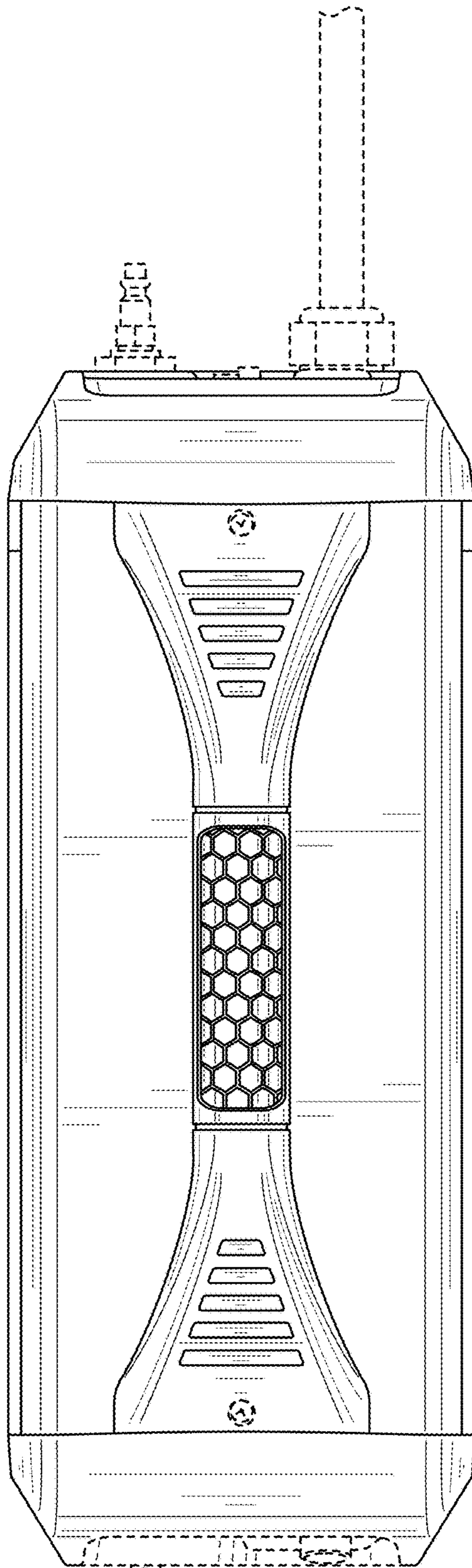


FIG. 19

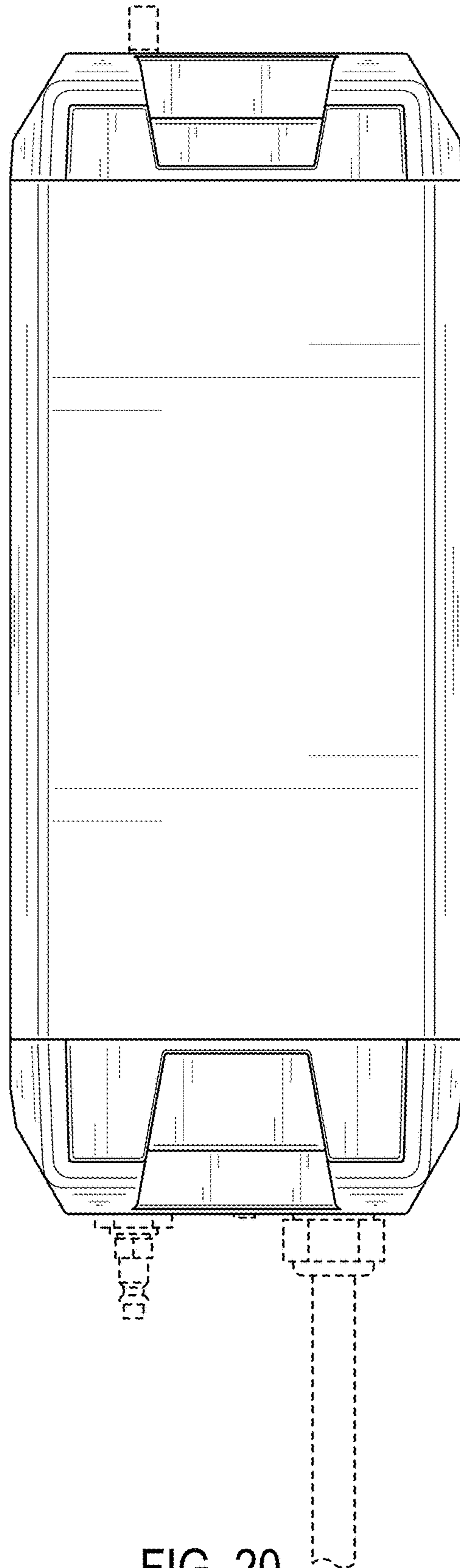


FIG. 20