



US00D813159S

(12) **United States Design Patent**  
**Vinciarelli et al.**

(10) **Patent No.:** **US D813,159 S**  
(45) **Date of Patent:** **\*\* Mar. 20, 2018**

(54) **POWER CONVERTER**

(71) Applicant: **VLT, INC.**, Sunnyvale, CA (US)

(72) Inventors: **Patrizio Vinciarelli**, Boston, MA (US);  
**Michael B. LaFleur**, East Hampstead,  
NH (US)

(73) Assignee: **VLT, Inc.**, Sunnyvale, CA (US)

(\*\*) Term: **15 Years**

(21) Appl. No.: **29/543,442**

(22) Filed: **Oct. 23, 2015**

(51) **LOC (11) Cl.** ..... **13-02**

(52) **U.S. Cl.**  
USPC ..... **D13/110**

(58) **Field of Classification Search**  
USPC ..... D13/110, 108, 118, 123, 162, 168, 169,  
D13/174, 177, 184, 199; D14/257, 432,  
D14/438; 174/16.3, 17 R, 17.08;  
361/600, 601, 690, 694, 695, 679.01,  
361/679.61, 704, 730; 363/141, 142  
CPC ..... H05K 5/00; H05K 5/02; H05K 5/0247;  
H05K 7/00; H05K 7/20; H05K 7/20136;  
H05K 7/20154; H05K 7/209; H02M 7/00;  
H02M 7/003; H02M 2001/009; H02J  
7/0042; Y10T 307/367  
See application file for complete search history.

(56) **References Cited**

**U.S. PATENT DOCUMENTS**

D350,529 S *	9/1994	Hunziker	.....	D13/110
5,365,403 A *	11/1994	Vinciarelli	.....	H01L 24/49 257/E25.016
D362,839 S *	10/1995	Tamaki	.....	D13/110
D363,056 S *	10/1995	Vinciarelli	.....	D13/110
D371,110 S *	6/1996	Harris	.....	D13/110

D466,076 S *	11/2002	Nagashima	.....	D13/110
D469,059 S *	1/2003	Ando	.....	D13/110
D506,438 S *	6/2005	Vinciarelli	.....	D13/110
D509,472 S *	9/2005	Vinciarelli	.....	D13/110
D520,947 S *	5/2006	Vinciarelli	.....	D13/110
D582,846 S *	12/2008	Lett	.....	D13/110

\* cited by examiner

*Primary Examiner* — Derrick Holland

(74) *Attorney, Agent, or Firm* — Foley & Lardner LLP

(57) **CLAIM**

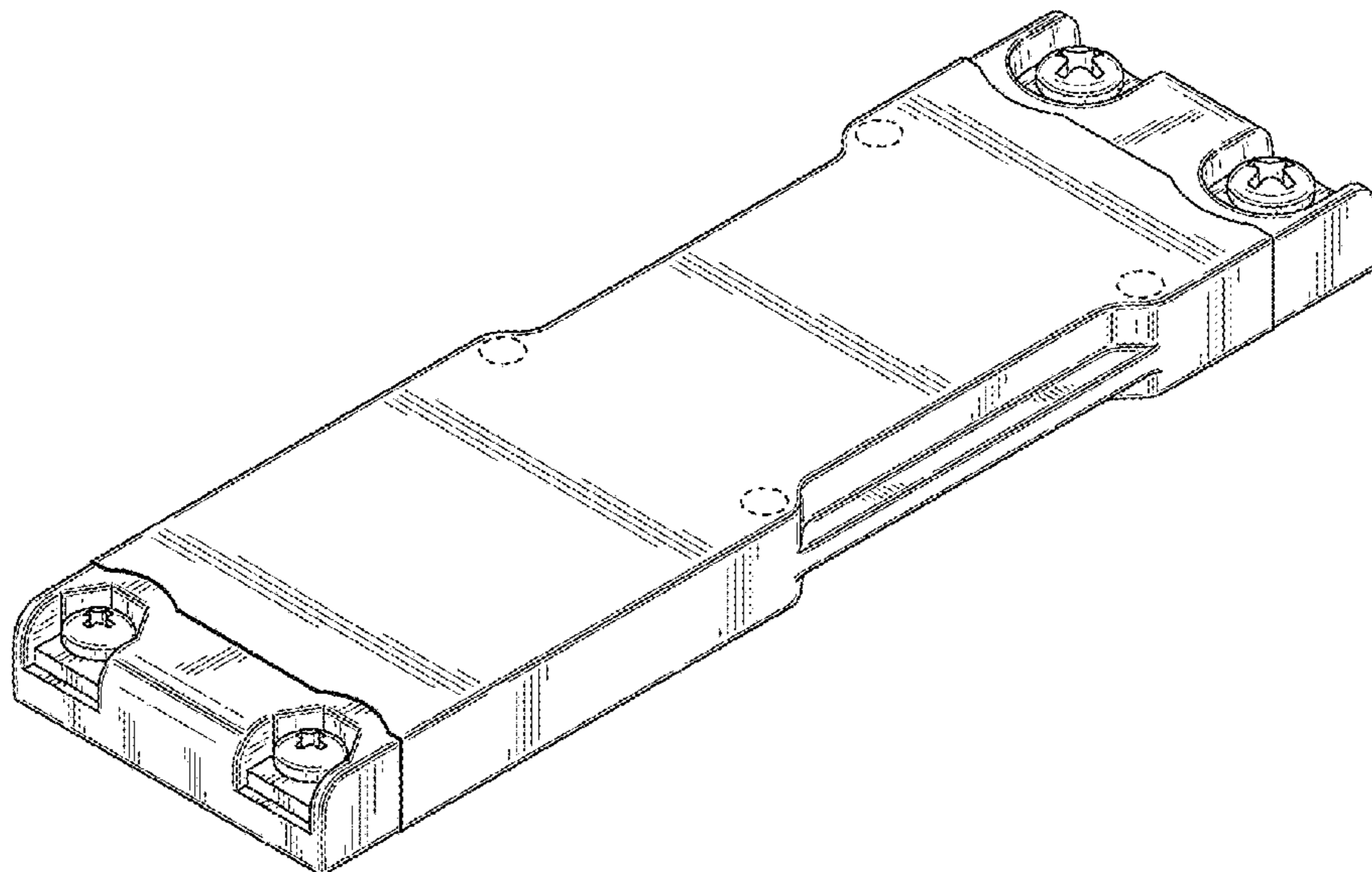
The ornamental design for a power converter, as shown and described.

**DESCRIPTION**

FIG. 1 is a top, front, right perspective view of a first embodiment of a power converter showing our new design. FIG. 2 is a top view of the claimed design of FIG. 1. FIG. 3 is a bottom view of the claimed design of FIG. 1. FIG. 4 is a left side view of the claimed design of FIG. 1. FIG. 5 is a front view of the claimed design of FIG. 1. FIG. 6 is a back view of the claimed design of FIG. 1. FIG. 7 is a top, front, right perspective view of a second embodiment of a power converter showing our new design. FIG. 8 is a top view of the claimed design of FIG. 7. FIG. 9 is a bottom view of the claimed design of FIG. 7. FIG. 10 is a left side view of the claimed design of FIG. 7. FIG. 11 is a front view of the claimed design of FIG. 7; and, FIG. 12 is a back view of the claimed design of FIG. 7. The ornamental design which is claimed is shown in solid lines in the drawings. The broken lines shown represent unclaimed subject matter and form no part of the claimed design.

The power converter shown in the second embodiment with a symbolic breaks. The appearance of any portion of the article between the break lines forms no part of the claimed design.

**1 Claim, 8 Drawing Sheets**



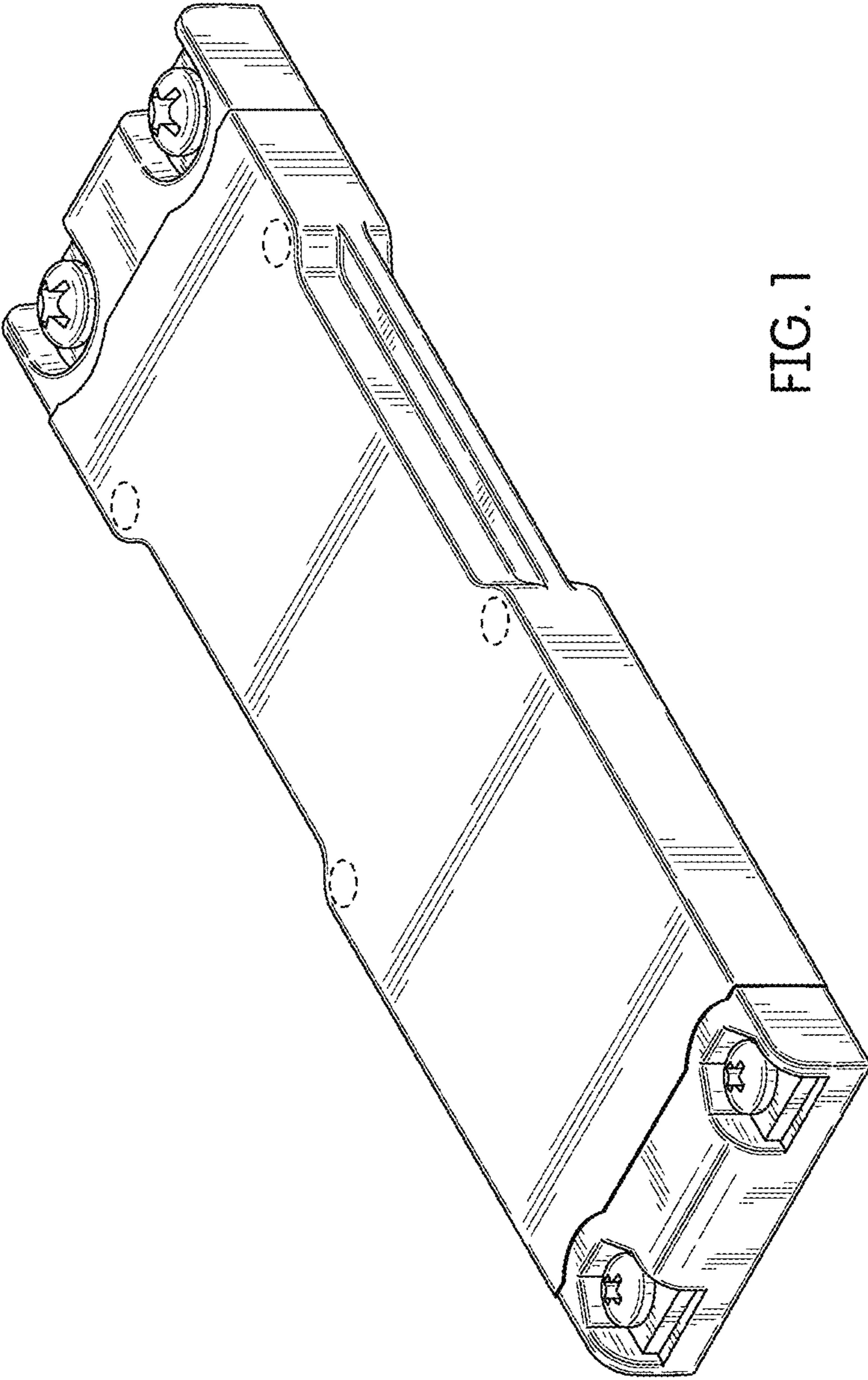


FIG. 1

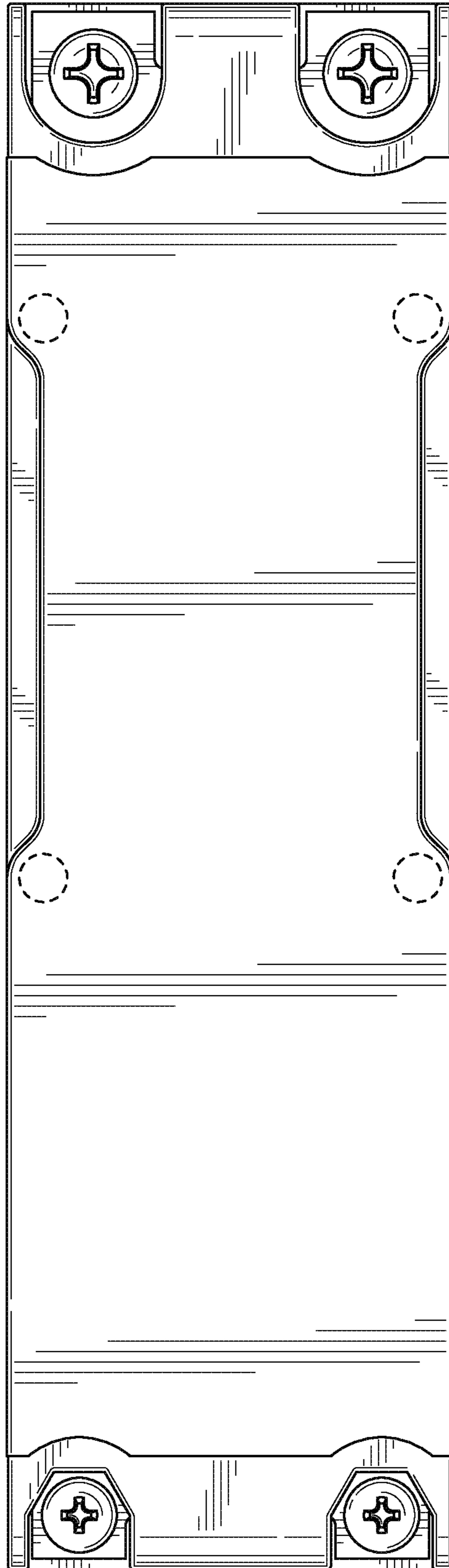


FIG. 2

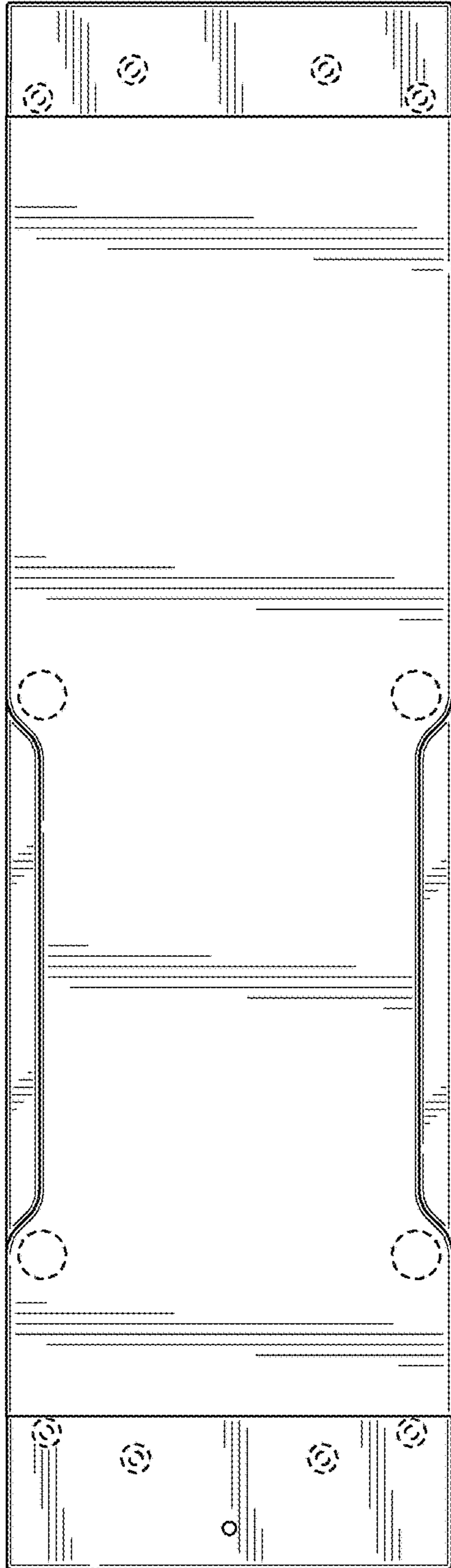


FIG. 3

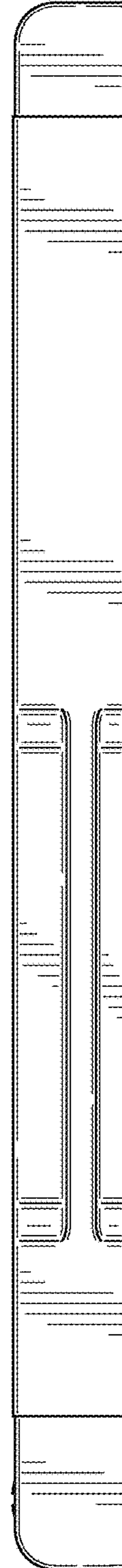


FIG. 4

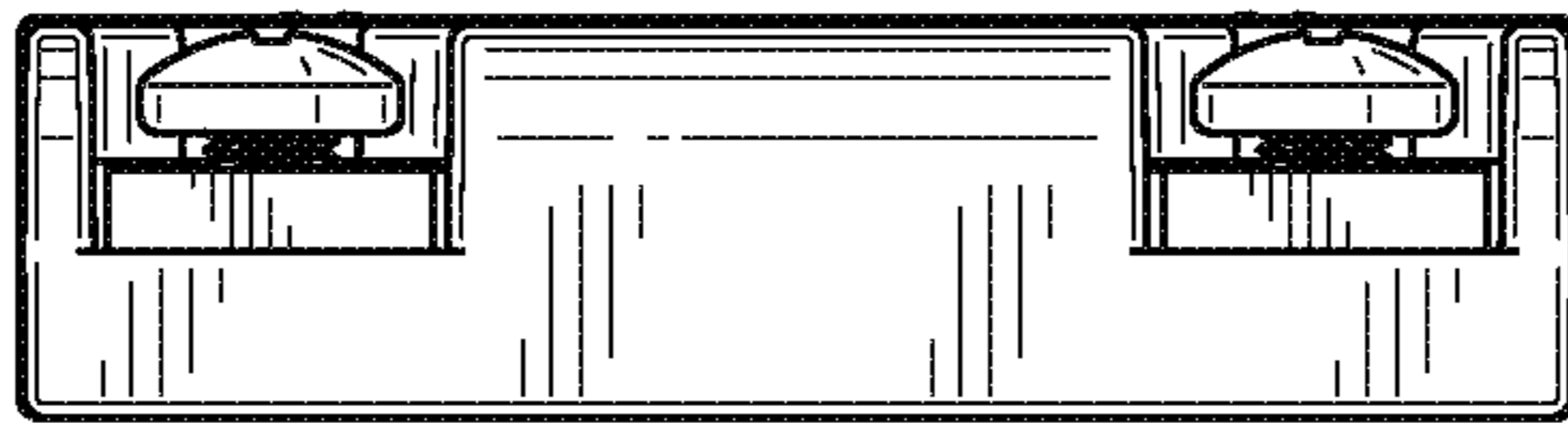


FIG. 5

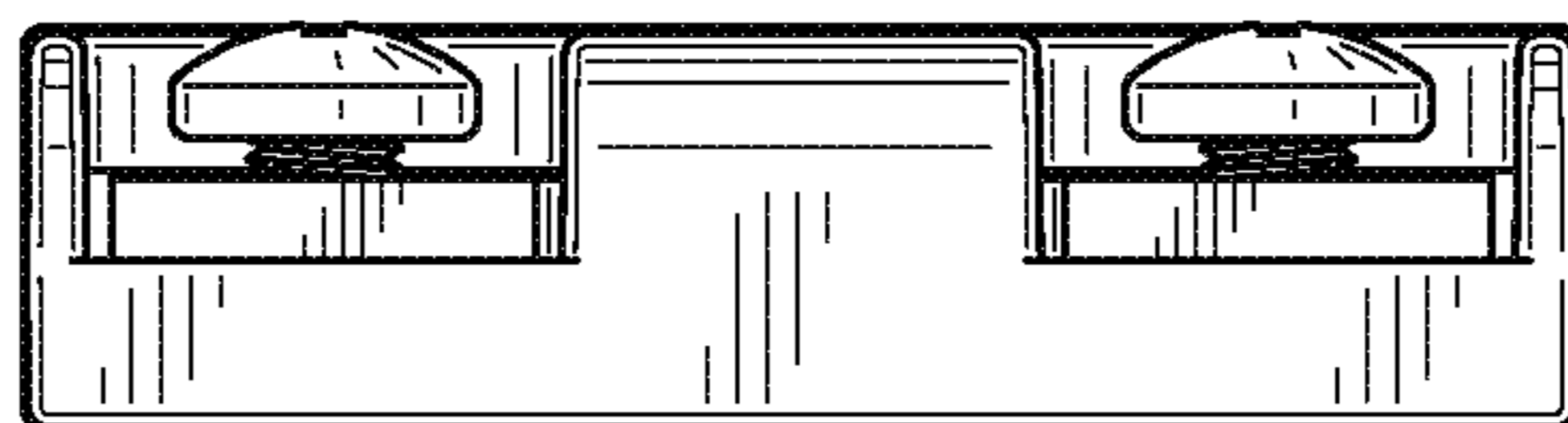


FIG. 6

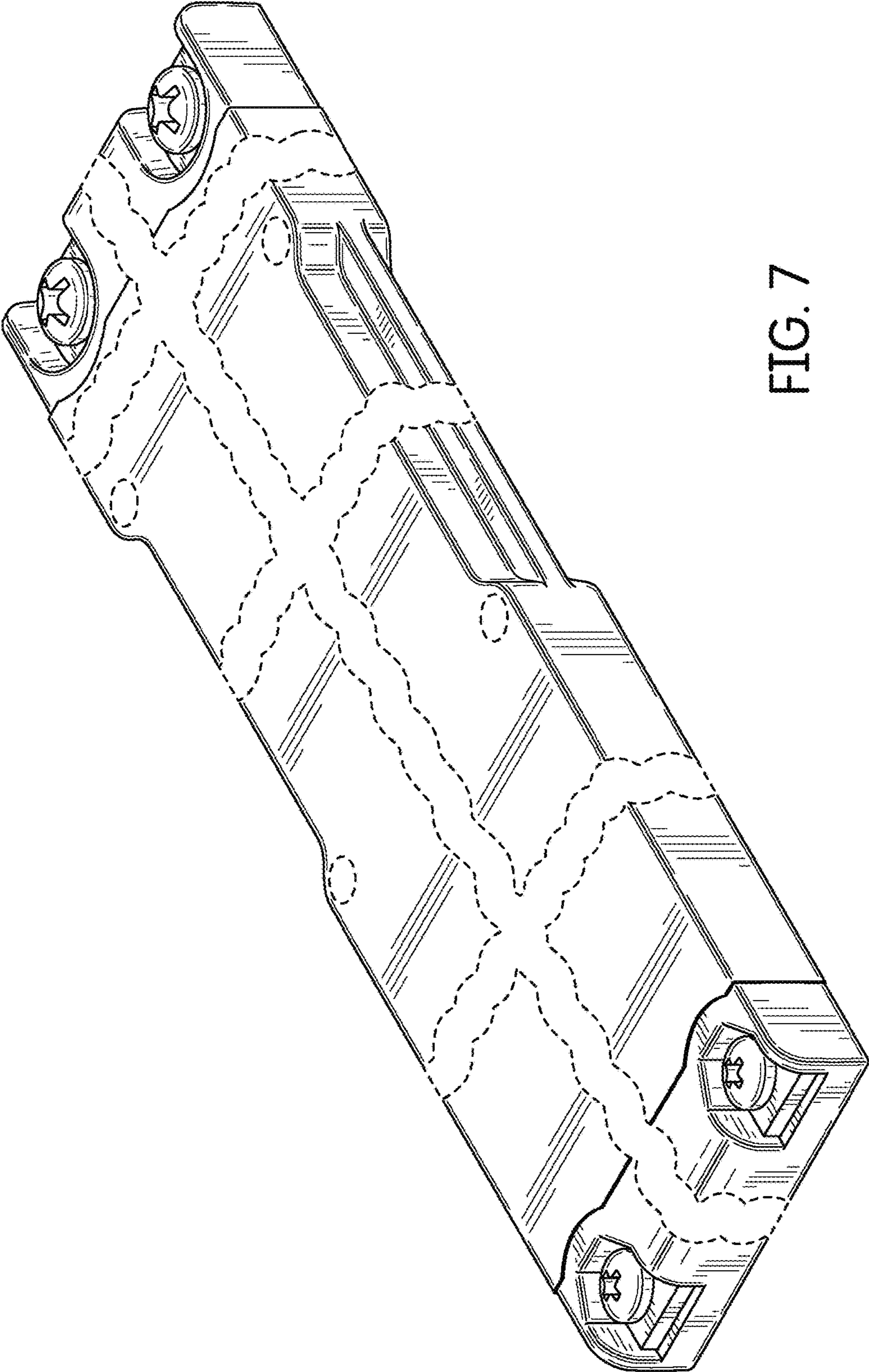


FIG. 7

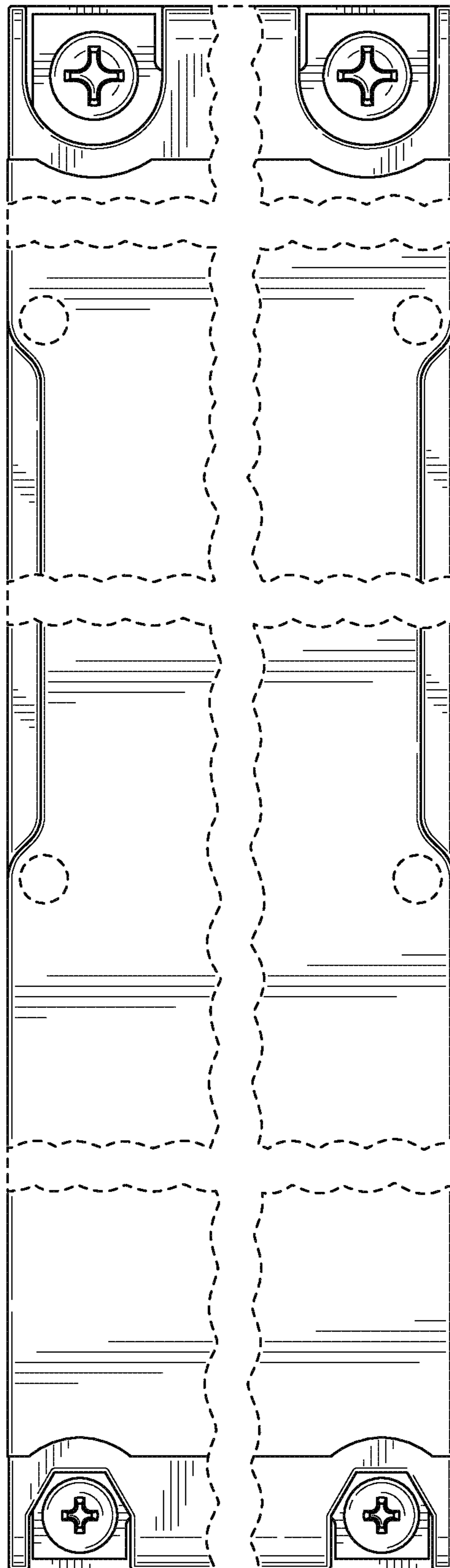


FIG. 8

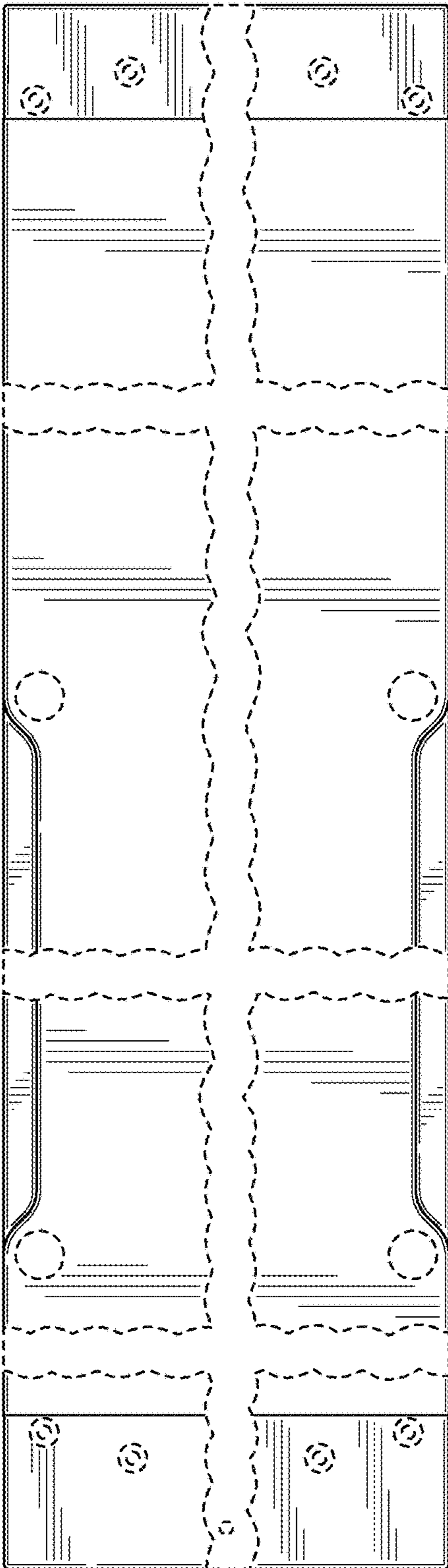


FIG. 9

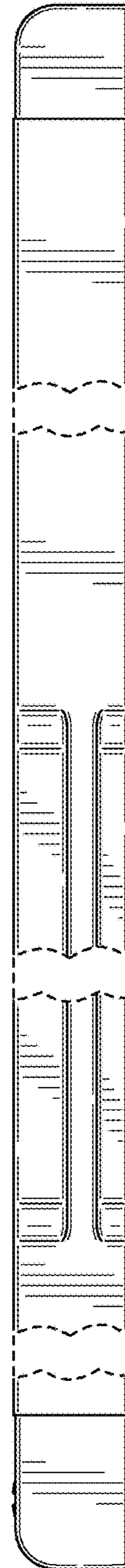


FIG. 10



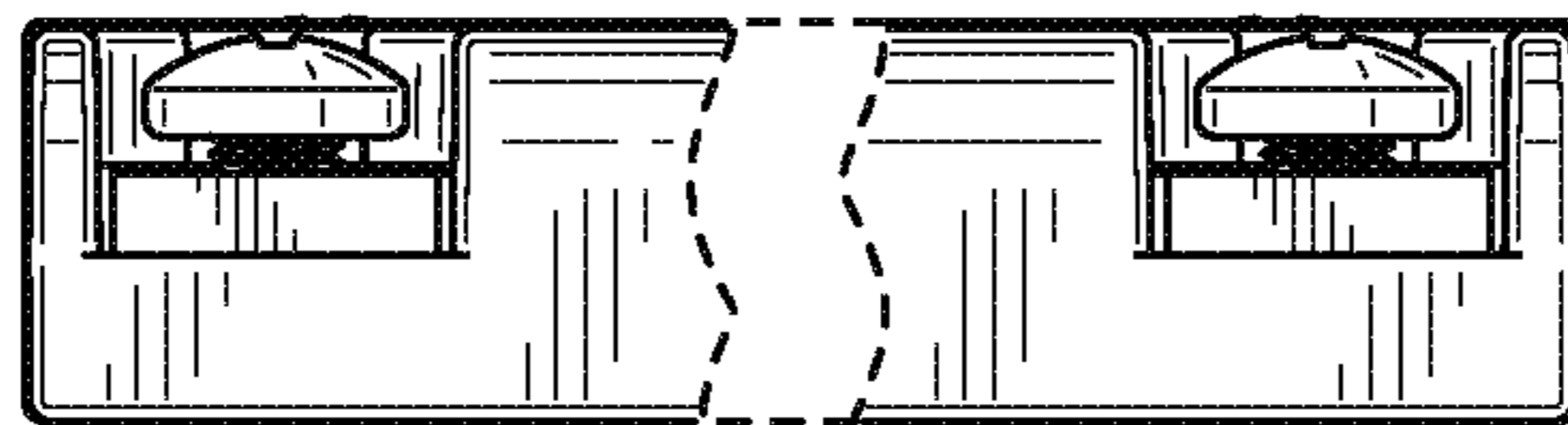


FIG. 11

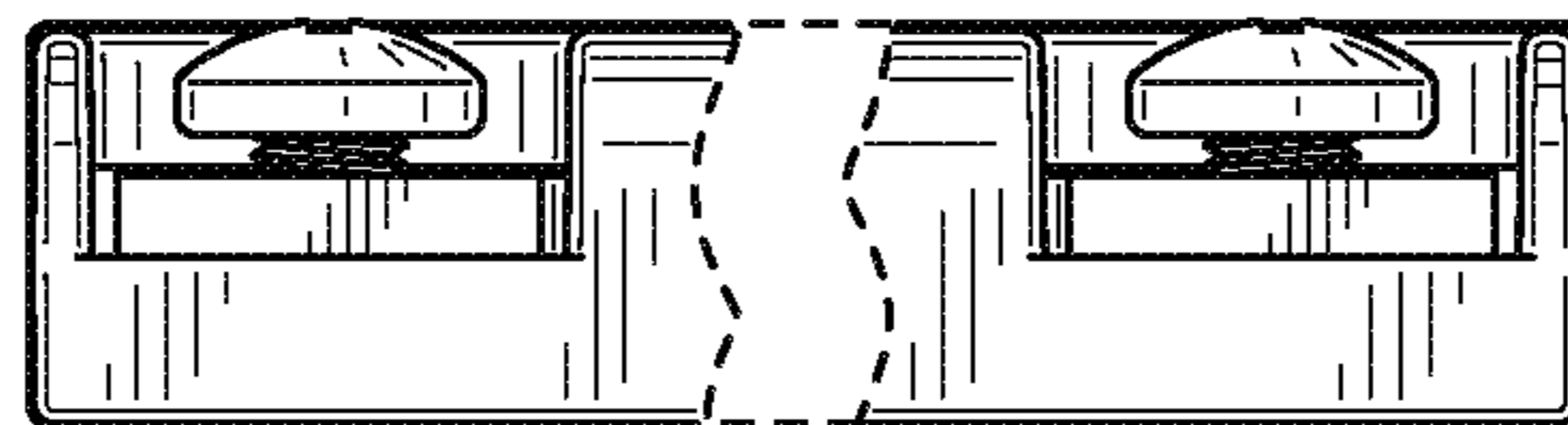


FIG. 12