



US00D813155S

(12) **United States Design Patent** (10) **Patent No.:** **US D813,155 S**
Yamada et al. (45) **Date of Patent:** **** Mar. 20, 2018**

(54) **BATTERY FOR A TOBACCO SUCTION TOOL**

9,131,733 B2 * 9/2015 Liu A24F 47/008
D751,977 S * 3/2016 Hong D13/103
D773,729 S * 12/2016 Jordan D27/194

(Continued)

(71) Applicant: **Japan Tobacco Inc.**, Tokyo (JP)

FOREIGN PATENT DOCUMENTS

(72) Inventors: **Manabu Yamada**, Tokyo (JP);
Masafumi Tarora, Tokyo (JP);
Hirofumi Matsumoto, Tokyo (JP)

CN 302715975 S 1/2014
JP D1385677 3/2010

(Continued)

(73) Assignee: **Japan Tobacco Inc.**, Minato-ku, Tokyo (JP)

OTHER PUBLICATIONS

(**) Term: **15 Years**

Japan Tobacco E-Lites, article published on Jun. 12, 2014, retrieved on Jul. 27, 2017, retrieved from the Internet URL: <http://www.thisismoney.co.uk/money/markets/article-2655180/Japan-Tobacco-Buy-British-E-Cigarette-Maker-Zandera.html>.*

(21) Appl. No.: **29/572,021**

(22) Filed: **Jul. 25, 2016**

Primary Examiner — Rosemary K Tarcza

Assistant Examiner — Alison M Ofstun

(30) **Foreign Application Priority Data**

Jan. 25, 2016 (JP) 2016-001329

(74) *Attorney, Agent, or Firm* — Ohlandt, Greeley, Ruggiero & Perle, L.L.P.

(51) **LOC (11) Cl.** **13-02**

(52) **U.S. Cl.**
USPC **D13/103; D27/101**

(57) **CLAIM**

The ornamental design for a battery for a tobacco suction tool, as shown and described.

(58) **Field of Classification Search**
USPC D13/102–110, 118–119, 184, 199;
D27/101, 163, 167, 170
CPC Y02E 60/12; Y02E 60/122; Y02E 60/124;
Y02E 60/50; H01M 2/02; H01M 2/022;
H01M 2/0202; H01M 2/0207; H01M
2/0212; H01M 2/1061; H01M 2/1022;
H01M 2/1055; H01M 2/1066; H01M
2/105; H01M 2/204; H01M 10/4257;
H01M 10/0436; H01M 10/48

DESCRIPTION

See application file for complete search history.

FIG. 1 is a perspective view from the left side of a battery for a tobacco suction tool.
FIG. 2 is a perspective view from the right side thereof.
FIG. 3 is a front elevation view thereof.
FIG. 4 is a rear elevation view thereof.
FIG. 5 is a top plan view thereof.
FIG. 6 is a bottom plan view thereof.
FIG. 7 is a left side elevation view thereof.
FIG. 8 is a right side elevation view thereof; and,
FIG. 9 is a cross-sectional view taken along the line 9-9 in FIG. 7.

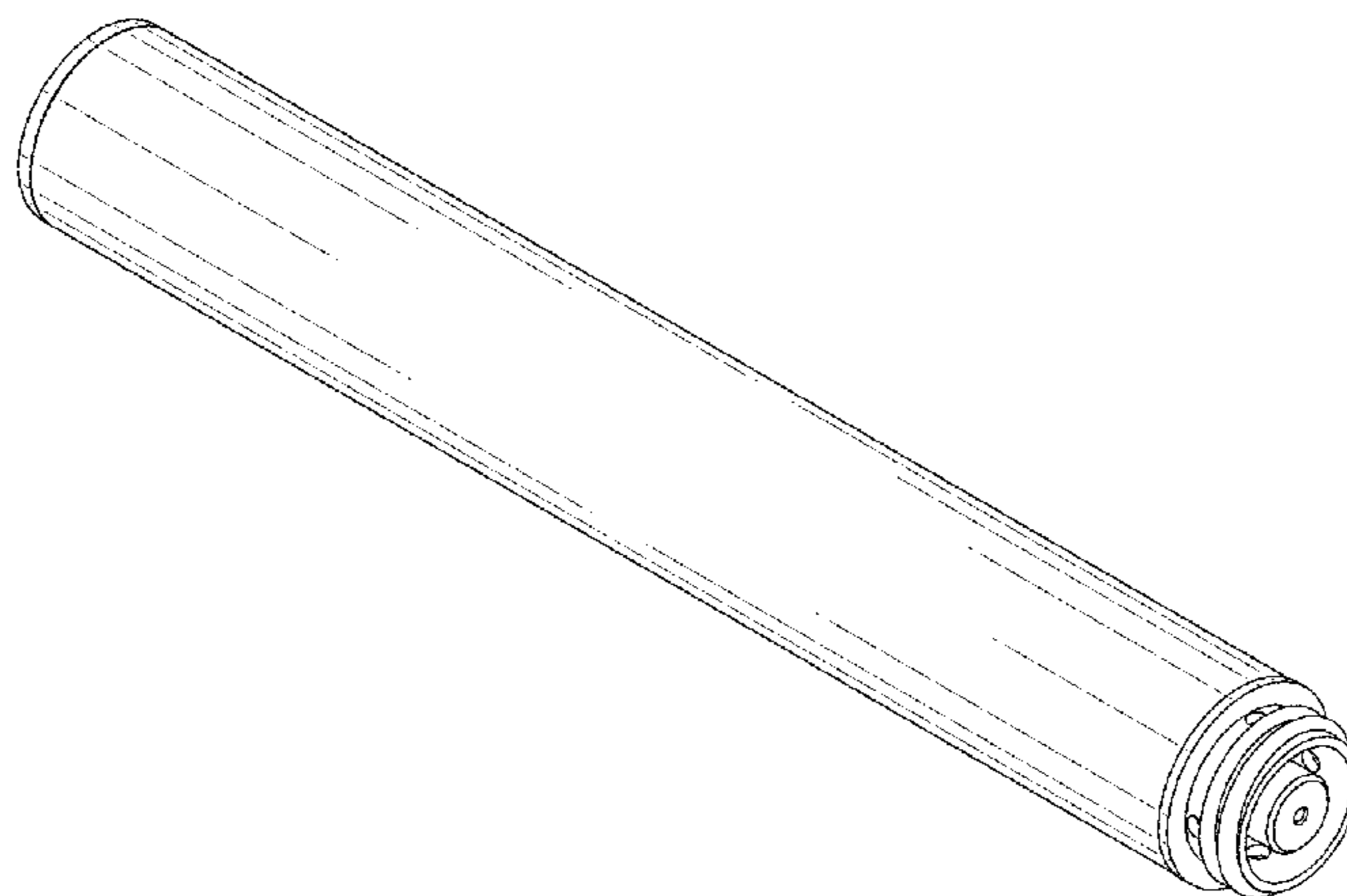
The broken lines shown in the drawings illustrate portions of the battery for a tobacco suction tool that form no part of the claimed design.

(56) **References Cited**

U.S. PATENT DOCUMENTS

D692,612 S * 10/2013 Lowenthal D13/103
D709,933 S * 7/2014 Wu D15/143
D722,956 S * 2/2015 Alima D13/103
D730,286 S 5/2015 Liu et al.

1 Claim, 9 Drawing Sheets



(56)

References Cited

U.S. PATENT DOCUMENTS

D774,248 S * 12/2016 Jordan D27/194
D775,085 S * 12/2016 Hachisuka D13/153
D779,460 S * 2/2017 Turksu D14/218
2015/0000684 A1* 1/2015 Wu A61M 15/06
131/329
2015/0280273 A1* 10/2015 Liu H01M 10/0422
429/164
2015/0335072 A1* 11/2015 Giller F21V 33/0004
131/328
2016/0073691 A1* 3/2016 Liu A24F 47/008
131/329

FOREIGN PATENT DOCUMENTS

JP D1385679 3/2010
JP D1385677 4/2010
JP D1385679 4/2010
KR 30-2013-0040813 12/2013
KR 30-0721091 12/2013
KR 30-2013-0064261 9/2014
KR 30-0763926 9/2014

* cited by examiner

FIG. 1

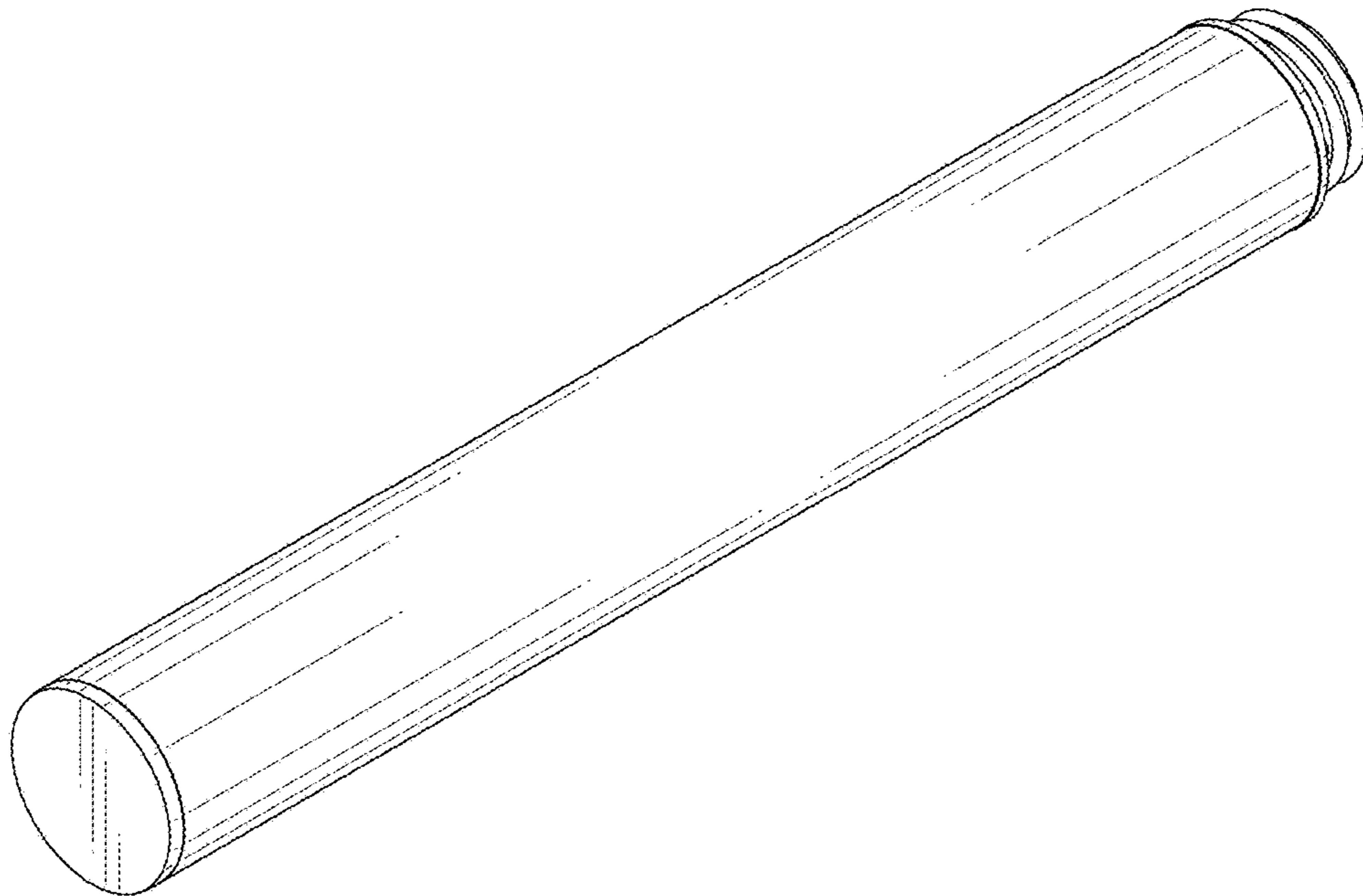


FIG. 2

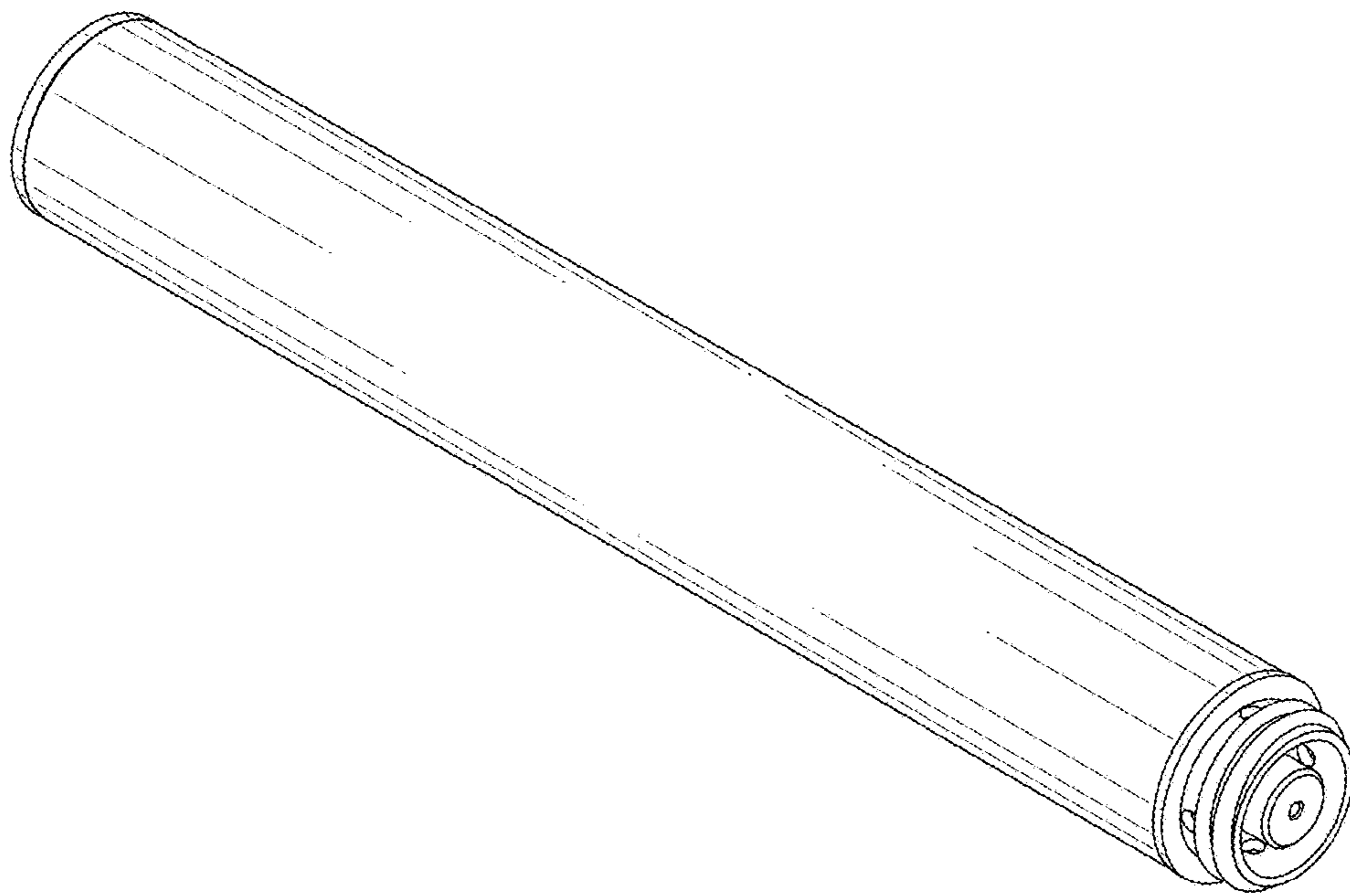


FIG. 3

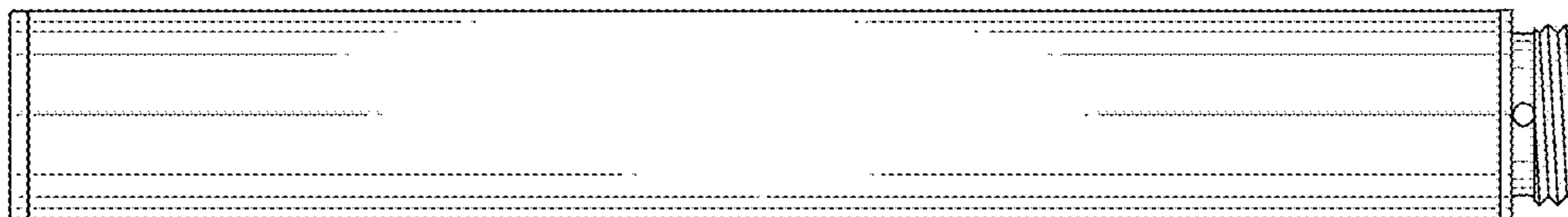


FIG. 4

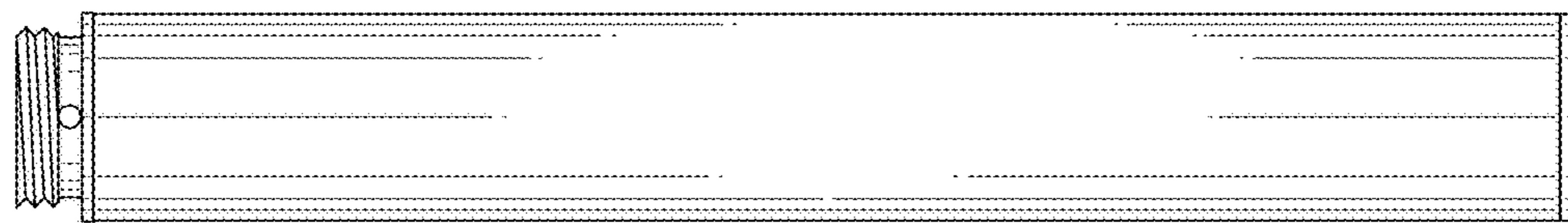


FIG. 5

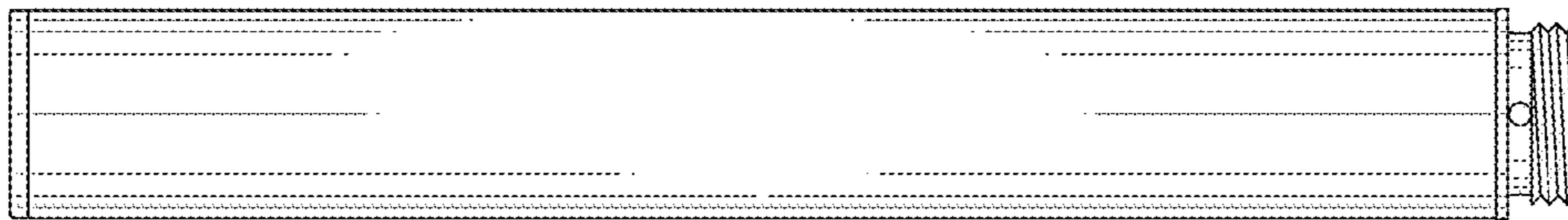


FIG. 6

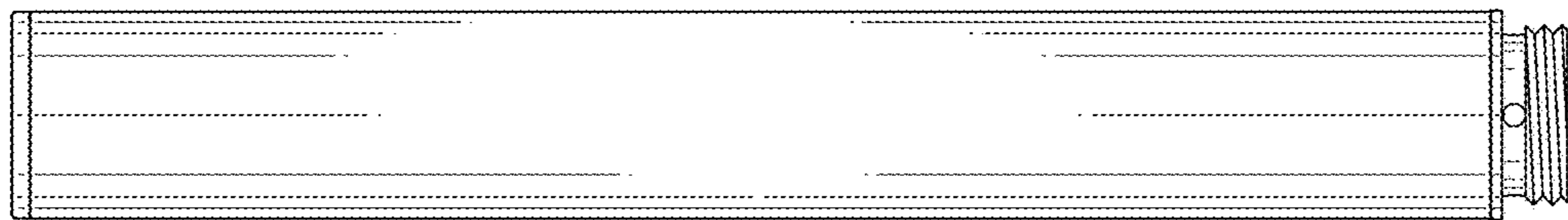
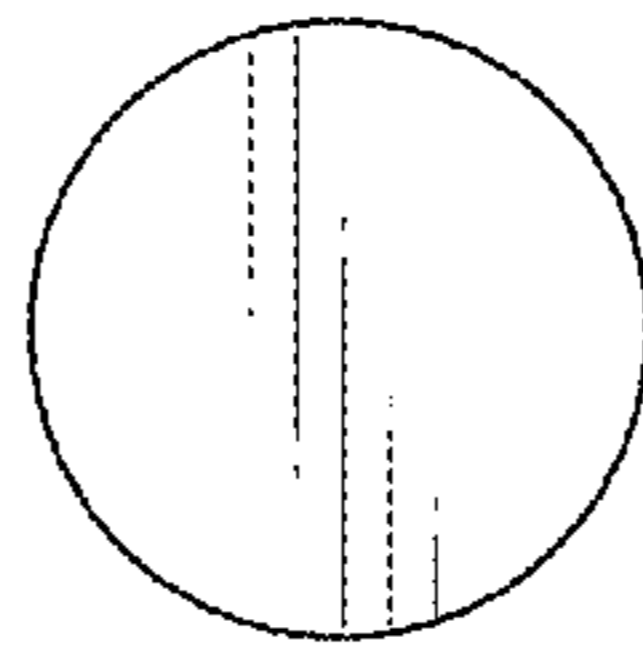


FIG. 7

9 ←



9 ←

FIG. 8

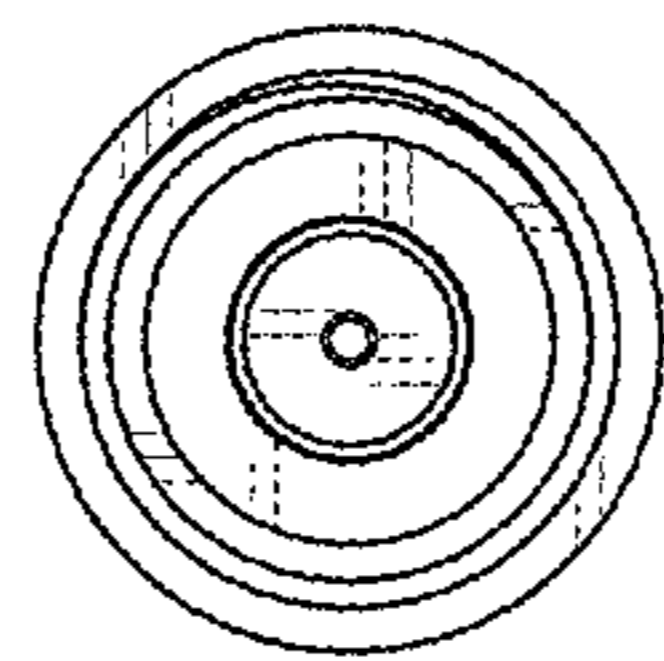


FIG. 9

