



US00D813150S

(12) **United States Design Patent**  
**Schoeppner et al.**

(10) **Patent No.:** **US D813,150 S**  
(45) **Date of Patent:** **\*\* Mar. 20, 2018**

- (54) **TIRE SIDEWALL**
- (71) Applicant: **The Goodyear Tire & Rubber Company, Akron, OH (US)**
- (72) Inventors: **Nicholas Thomas Schoeppner, Cuyahoga Falls, OH (US); Brandy Lynn Gadd, Fairlawn, OH (US)**
- (73) Assignee: **The Goodyear Tire & Rubber Company, Akron, OH (US)**
- (\*\*) Term: **15 Years**
- (21) Appl. No.: **29/556,426**
- (22) Filed: **Mar. 1, 2016**
- (51) **LOC (11) Cl.** ..... **12-05**
- (52) **U.S. Cl.**  
USPC ..... **D12/605**
- (58) **Field of Classification Search**  
USPC ..... D12/500-605, 900; D5/30; D7/396.4, D7/396.5, 588; 152/DIG. 12, 209.1, 152/209.8, 209.9, 209.12, 209.16, 209.26, 152/209.27, 517, 523, 524, 902, 903  
CPC ..... B60C 13/00; B60C 13/001; B60C 13/02; B60C 1/00; B60C 1/0025; B60C 17/08  
See application file for complete search history.

D543,497 S	5/2007	Maxwell et al. ....	D12/605
D543,933 S	6/2007	Shondel .....	D12/605
D550,149 S	9/2007	Shondel .....	D12/605
D550,150 S	9/2007	Shondel .....	D12/605
D552,536 S	10/2007	Shondel .....	D12/605
D552,537 S	10/2007	Franks et al. ....	D12/605
D557,202 S	12/2007	Shondel .....	D12/605
D563,310 S	3/2008	Shondel .....	D12/605
D567,169 S	4/2008	Maxwell et al. ....	D12/605
D567,793 S	5/2008	Dixon .....	D12/605
D568,236 S	5/2008	Holden et al. ....	D12/605
D569,338 S	5/2008	Shondel .....	D12/605
D569,793 S	5/2008	Dixon .....	D12/605
D574,320 S	8/2008	Dixon .....	D12/605
D581,352 S *	11/2008	Harvey .....	D12/605
D581,353 S *	11/2008	Harvey .....	D12/605

(Continued)

(56) **References Cited**

U.S. PATENT DOCUMENTS

D379,168 S	5/1997	Ratliff, Jr. ....	D12/152
D385,834 S	11/1997	Ratliff, Jr. ....	D12/152
D450,274 S	11/2001	Ratliff, Jr. et al. ....	D12/152
D492,648 S	7/2004	Maxwell et al. ....	D12/605
D503,146 S	3/2005	Maxwell et al. ....	D12/605
D504,867 S	5/2005	Maxwell et al. ....	D12/605
D539,729 S	4/2007	Maxwell .....	D12/605
D540,739 S *	4/2007	Maxwell .....	D12/605
D541,211 S	4/2007	Shondel et al. ....	D12/605
D542,219 S	5/2007	Shondel et al. ....	D12/605
D542,220 S *	5/2007	Shondel .....	D12/605

OTHER PUBLICATIONS

Chilean Search Report received by Applicant dated Oct. 20, 2017.

*Primary Examiner* — Wan Laymon  
*Assistant Examiner* — Clint A Samuel  
(74) *Attorney, Agent, or Firm* — Robert N. Lipsik

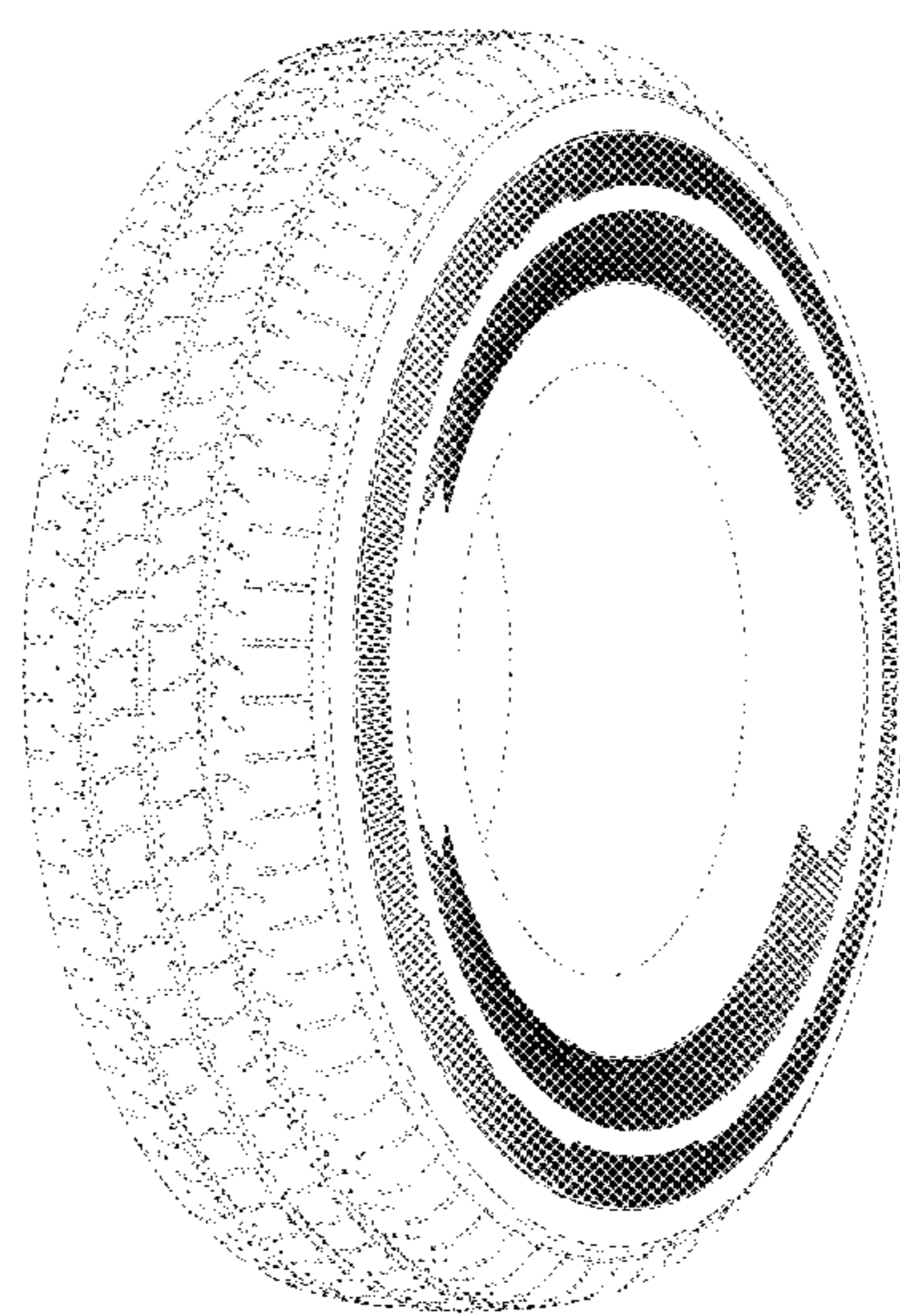
(57) **CLAIM**

The ornamental design for a tire sidewall, as shown and described.

**DESCRIPTION**

FIG. 1 is a perspective view of a tire sidewall showing our new design;  
FIG. 2 is a front elevational view thereof; and,  
FIG. 3 is a cross-sectional view taken from line 3-3 of FIG. 2.  
In the drawings, the broken lines showing of the tire tread, inner bead and the peripheral boundary between the tire tread and the sidewall in FIGS. 1 through 3 depict environmental subject matter and form no part of the claimed design.

**1 Claim, 3 Drawing Sheets**



(56)

References Cited

U.S. PATENT DOCUMENTS

D581,354 S *	11/2008	Harvey	.....	D12/605	D640,187 S	6/2011	Fontaine et al.	.....	D12/605
D583,313 S	12/2008	Harvey	.....	D12/605	D647,044 S	10/2011	Takemoto	.....	D12/605
D585,017 S	1/2009	Shondel	.....	D12/605	D647,473 S *	10/2011	Kujime	.....	D12/605
D585,018 S	1/2009	Shondel	.....	D12/605	D647,474 S *	10/2011	Takahashi	.....	D12/605
D588,531 S	3/2009	Maxwell	.....	D12/605	D655,671 S *	3/2012	Yasunaga	.....	D12/605
D590,332 S *	4/2009	Sato	.....	D12/605	D662,877 S	7/2012	Arrant et al.	.....	D12/605
D598,843 S	8/2009	Maxwell	.....	D12/605	D665,337 S	8/2012	Fontaine et al.	.....	D12/605
D605,583 S *	12/2009	Scheifele	.....	D12/605	D667,369 S	9/2012	Fontaine et al.	.....	D12/605
D606,013 S	12/2009	Reese et al.	.....	D12/605	D667,782 S	9/2012	Mukai	.....	D12/605
D606,933 S	12/2009	Palma et al.	.....	D12/605	D678,832 S	3/2013	Fontaine et al.	.....	D12/605
D608,275 S	1/2010	Maxwell	.....	D12/605	D708,121 S *	7/2014	Iwabuchi	.....	D12/605
D610,978 S	3/2010	Harvey et al.	.....	D12/605	D711,816 S *	8/2014	Iwabuchi	.....	D12/605
D610,979 S	3/2010	Maxwell et al.	.....	D12/605	D735,123 S *	7/2015	Iwabuchi	.....	D12/605
D610,980 S	3/2010	Shondel	.....	D12/605	D735,124 S *	7/2015	Iwabuchi	.....	D12/605
D610,981 S	3/2010	Shondel	.....	D12/605	D740,747 S *	10/2015	Sato	.....	D12/605
D614,123 S	4/2010	Harvey	.....	D12/605	D750,553 S *	3/2016	Scheifele	.....	D12/605
D618,163 S *	6/2010	Sato	.....	D12/605	D768,067 S *	10/2016	Kuwano	.....	D12/605
D628,959 S	12/2010	Harvey	.....	D12/605	D768,565 S *	10/2016	Yasunaga	.....	D12/605
D629,745 S	12/2010	Shondel	.....	D12/605	D773,985 S *	12/2016	Sakamoto	.....	D12/605
					D773,986 S *	12/2016	Nakamura	.....	D12/605
					2002/0174928 A1	11/2002	Ratliff, Jr.	.....	152/555

\* cited by examiner

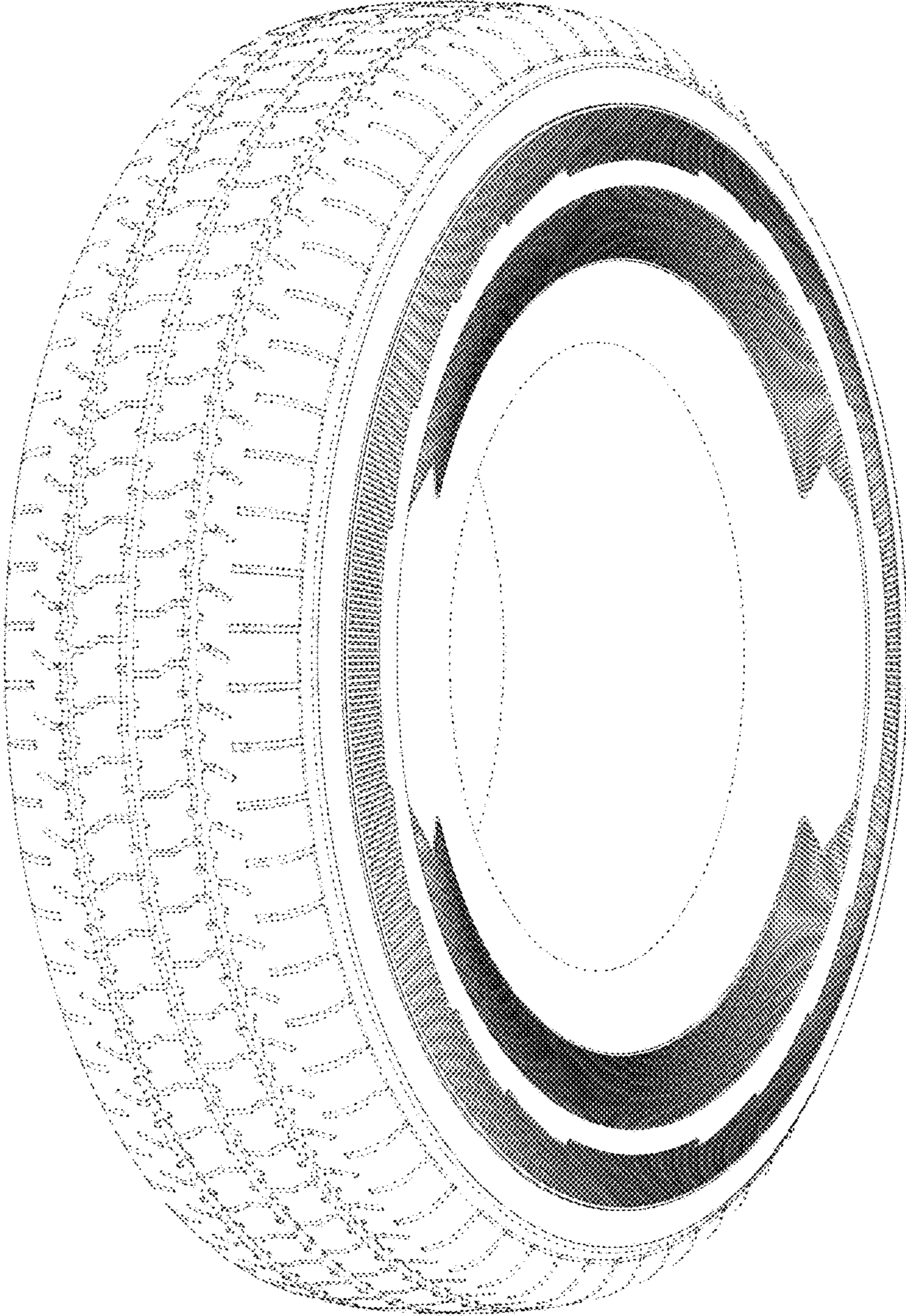


FIG - 1

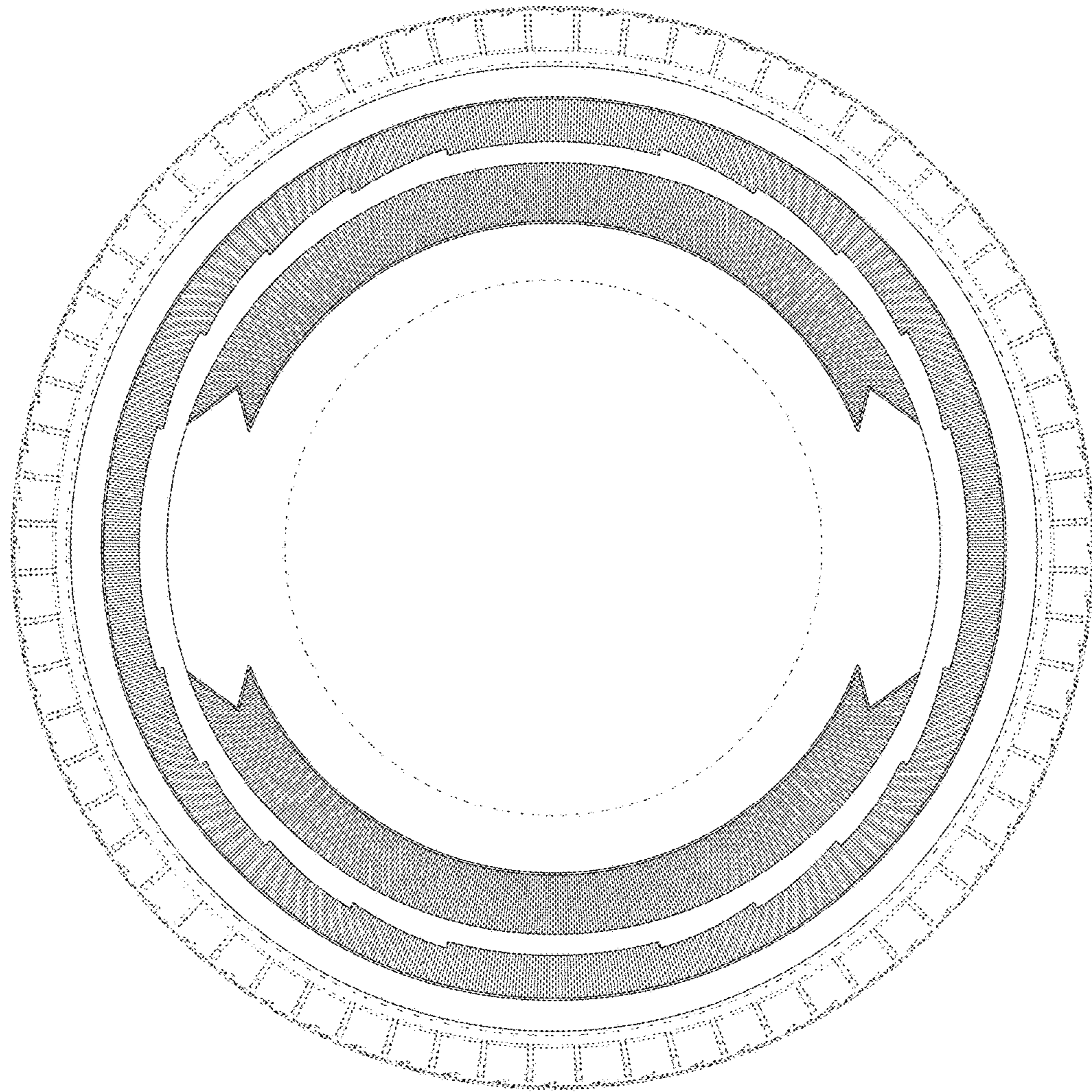


FIG - 2

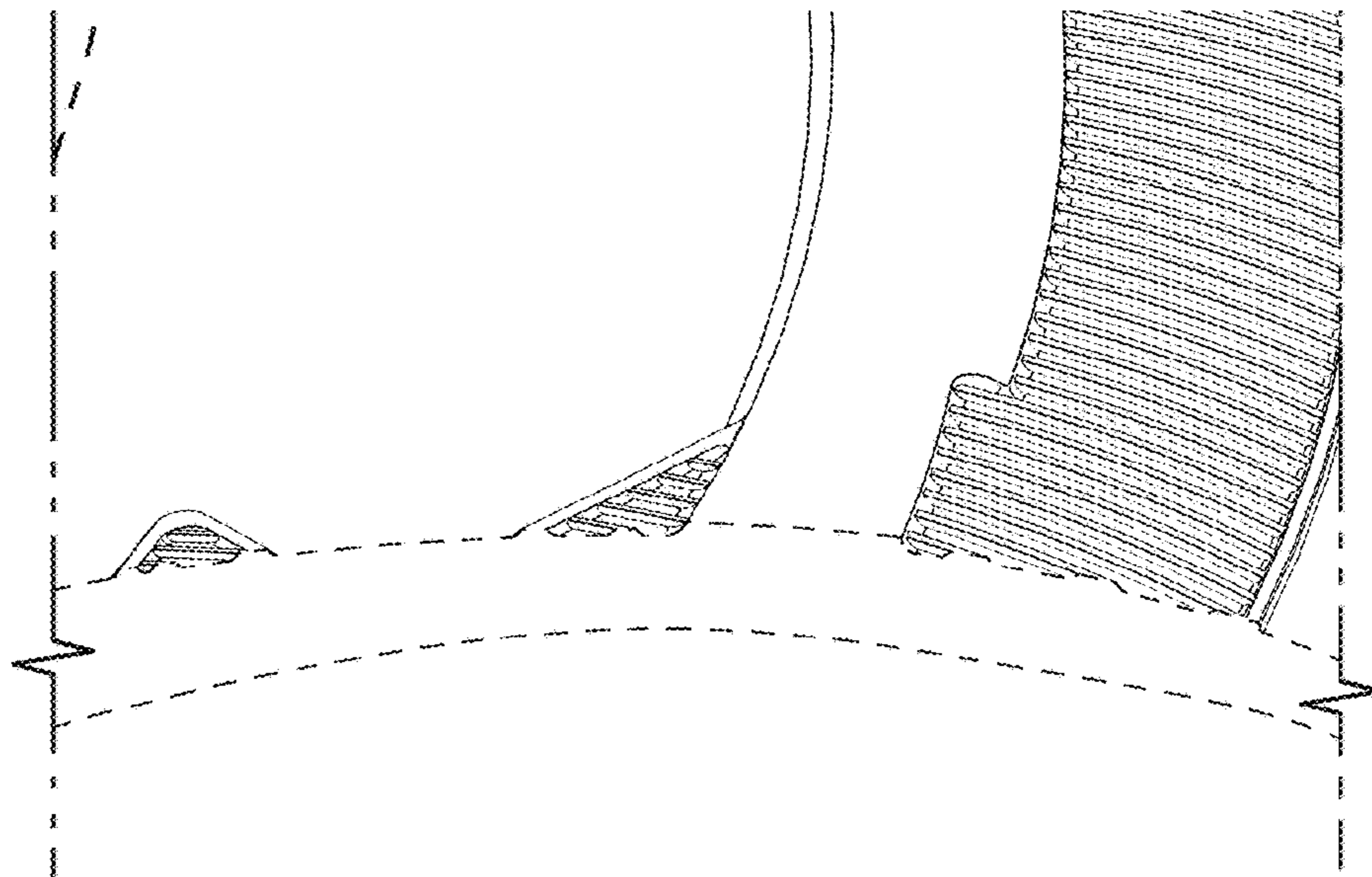


FIG - 3