



US00D813145S

(12) **United States Design Patent**  
**Brown**

(10) **Patent No.:** **US D813,145 S**  
(45) **Date of Patent:** **\*\* Mar. 20, 2018**

- (54) **LIFT FOR UTILITY VEHICLE**
- (71) Applicant: **Stacy Lee Brown**, Stephens, AR (US)
- (72) Inventor: **Stacy Lee Brown**, Stephens, AR (US)
- (\*\*) Term: **15 Years**
- (21) Appl. No.: **29/549,444**
- (22) Filed: **Dec. 22, 2015**

|                |         |                |                       |
|----------------|---------|----------------|-----------------------|
| 5,511,929 A    | 4/1996  | Loftus         |                       |
| 5,718,555 A    | 2/1998  | Swalheim       |                       |
| 5,743,702 A    | 4/1998  | Gunderson      |                       |
| 5,862,926 A    | 1/1999  | Johnson        |                       |
| 6,126,379 A    | 10/2000 | Feldman et al. |                       |
| 6,520,723 B2   | 2/2003  | Christensen    |                       |
| 7,011,486 B2 * | 3/2006  | Dyer           | B60P 1/54<br>212/180  |
| 7,413,394 B2 * | 8/2008  | Risser         | B60P 1/5442<br>212/74 |
| D624,005 S *   | 9/2010  | Winner         | D12/412               |
| 8,322,964 B2   | 12/2012 | O'Brien        |                       |
| 8,322,967 B2   | 12/2012 | Owens et al.   |                       |
| 8,534,980 B2   | 9/2013  | Kuramoto       |                       |
| D695,675 S *   | 12/2013 | Voglmayr       | D12/414               |
| D717,230 S *   | 11/2014 | Fichter        | D12/414               |
| D722,007 S *   | 2/2015  | Ting           | D12/414               |
| D765,577 S *   | 9/2016  | Kmita          | D12/412               |

**Related U.S. Application Data**

- (62) Division of application No. 29/478,792, filed on Jan. 8, 2014, now Pat. No. Des. 748,565.
- (51) **LOC (11) Cl.** ..... **12-16**
- (52) **U.S. Cl.**  
USPC ..... **D12/414**
- (58) **Field of Classification Search**  
USPC ..... D12/412, 406, 413, 414, 414.1; D6/552;  
D3/304-306  
CPC ..... B60R 9/04; B60R 9/045; B60R 9/048  
See application file for complete search history.

\* cited by examiner

*Primary Examiner* — Katrina A Betton  
(74) *Attorney, Agent, or Firm* — Polsinelli PC

(57) **CLAIM**

The ornamental design for a lift for utility vehicle, as shown and described.

**DESCRIPTION**

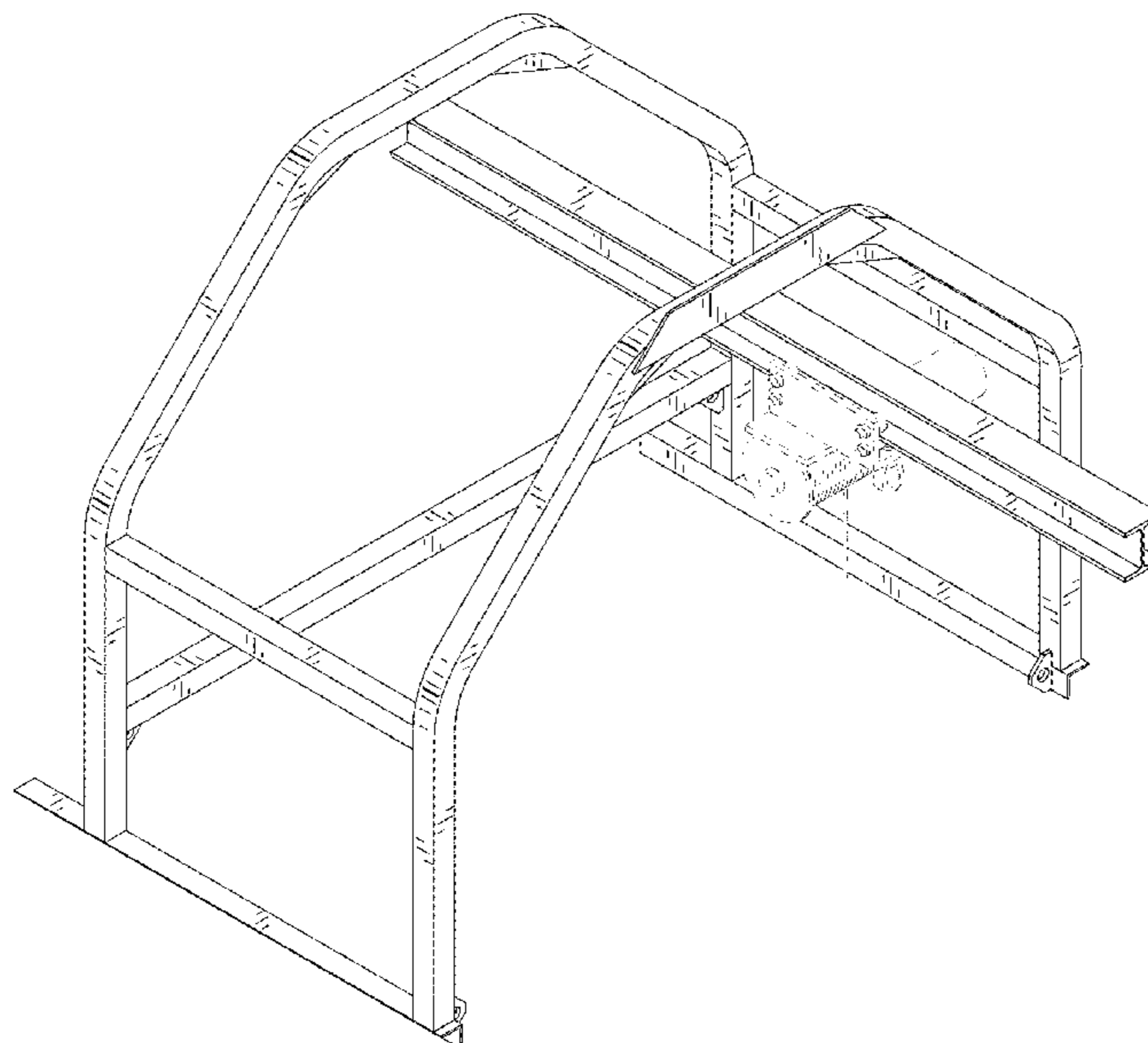
FIG. 1 is a perspective view of a lift for utility vehicle; FIG. 2 is a front view of the lift for utility vehicle; FIG. 3 is a first side view of the lift for utility vehicle; FIG. 4 is a top view of the lift for utility vehicle; FIG. 5 is a rear view of the lift for utility vehicle; FIG. 6 is a second side view of the lift for utility vehicle; and, FIG. 7 is a bottom view of the lift for utility vehicle. The broken lines showing in FIGS. 1-7 are included for the purpose of illustrating portions of the lift for utility vehicle that form no part of the claimed design.

**1 Claim, 5 Drawing Sheets**

(56) **References Cited**

**U.S. PATENT DOCUMENTS**

|               |         |                |                      |
|---------------|---------|----------------|----------------------|
| 2,289,366 A * | 7/1942  | Johnson        | B66C 7/00<br>414/542 |
| 2,778,512 A * | 1/1957  | Strona         | B66C 1/24<br>212/74  |
| 2,927,704 A   | 3/1960  | Condon         |                      |
| 3,899,089 A   | 8/1975  | Wardlaw        |                      |
| 4,187,048 A   | 2/1980  | Bohlmann       |                      |
| 4,872,581 A   | 10/1989 | Wedhorn        |                      |
| 4,930,970 A   | 6/1990  | Sunderland     |                      |
| 5,028,198 A   | 7/1991  | Buhr           |                      |
| 5,062,760 A   | 11/1991 | Samaniego      |                      |
| 5,391,042 A   | 2/1995  | Song           |                      |
| 5,486,082 A   | 1/1996  | Feldman et al. |                      |



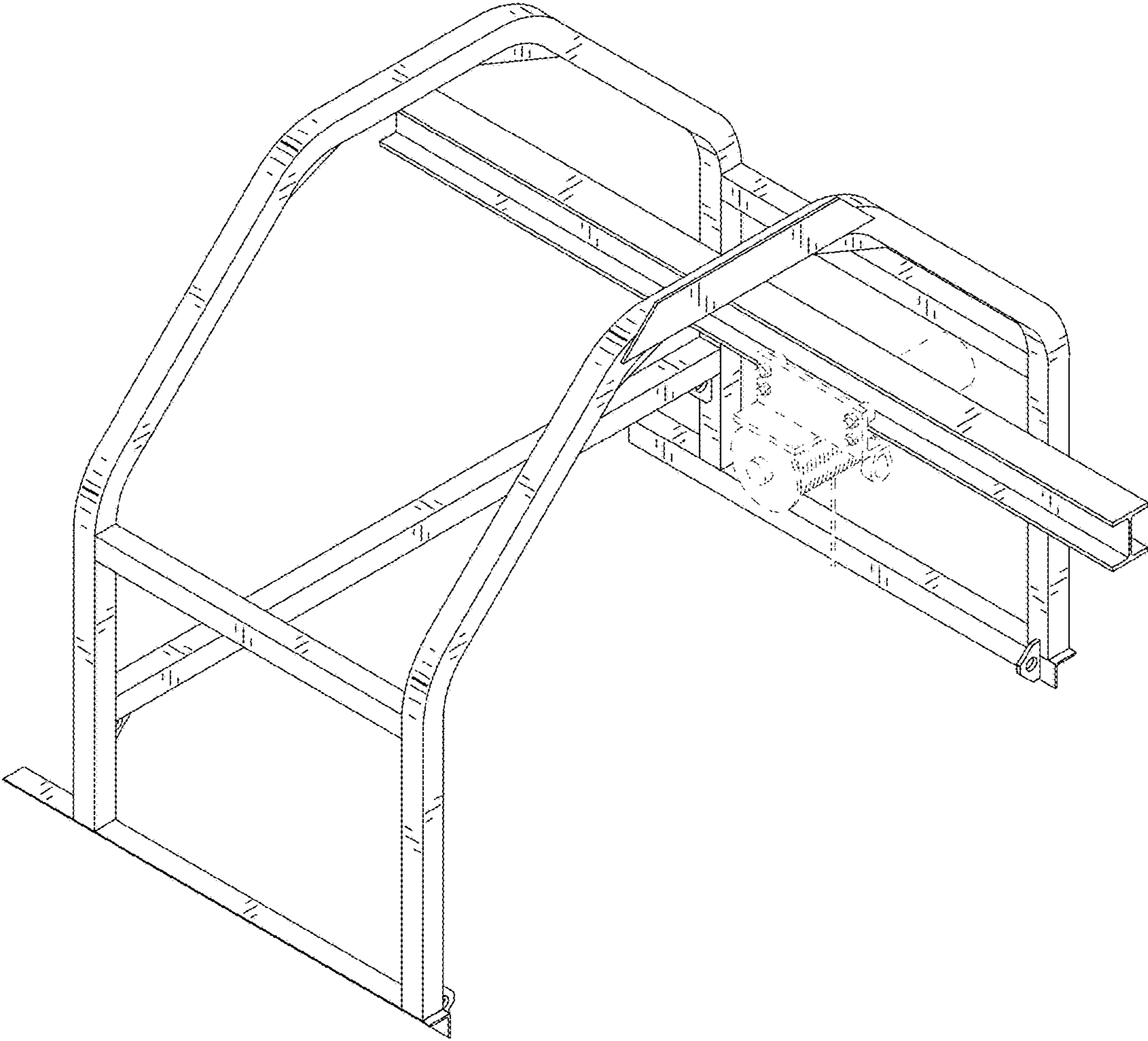


FIG. 1

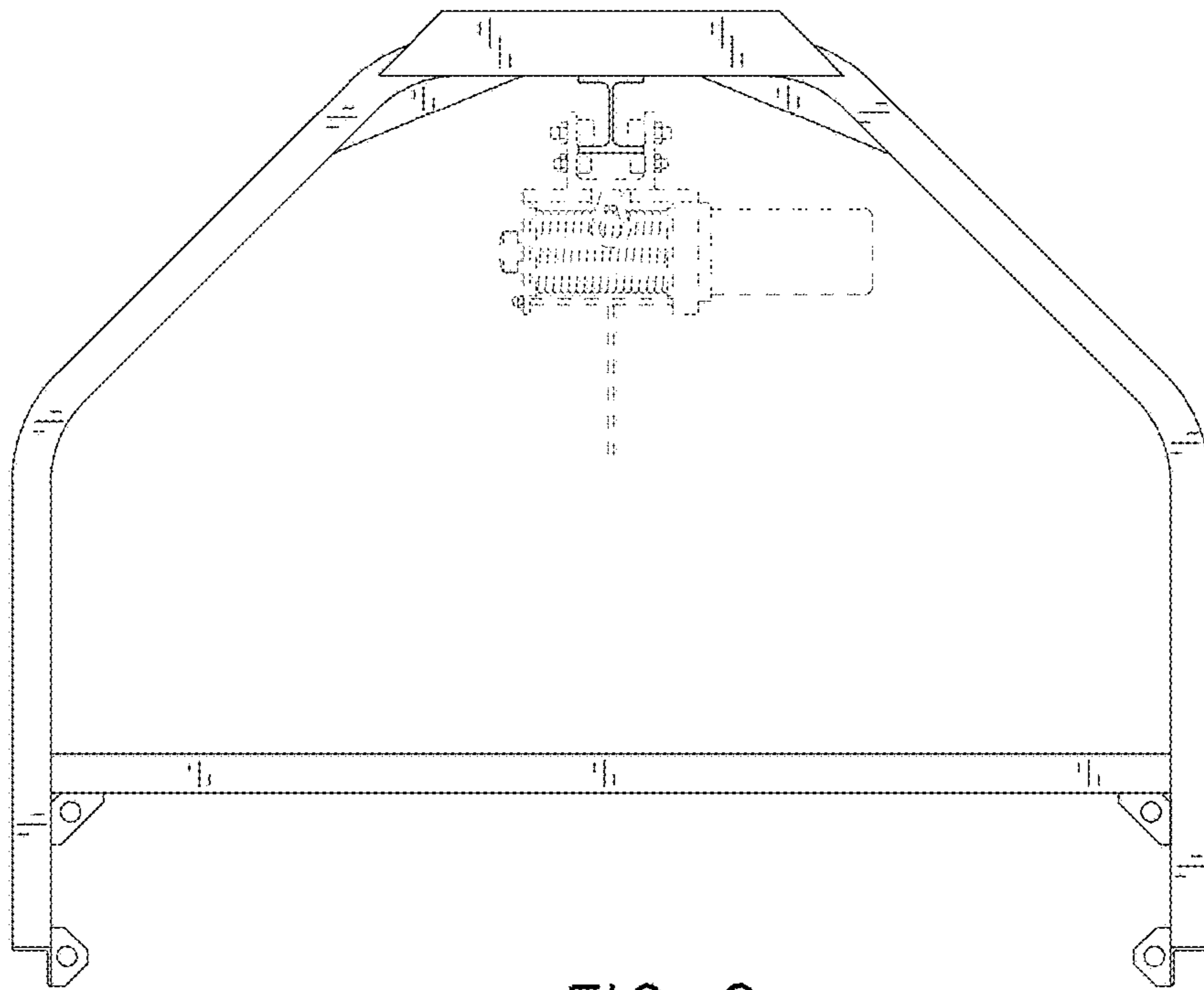


FIG. 2

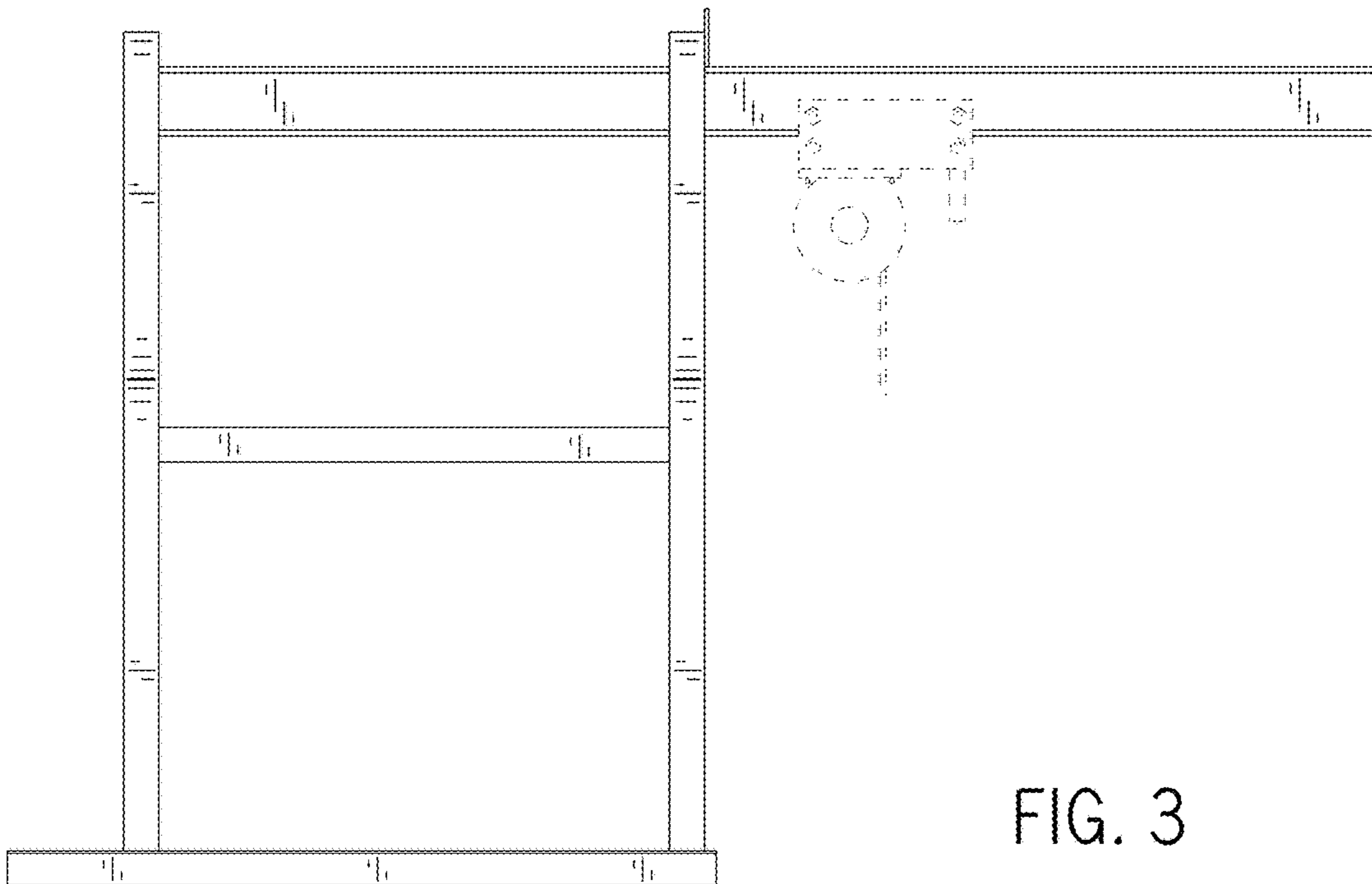


FIG. 3

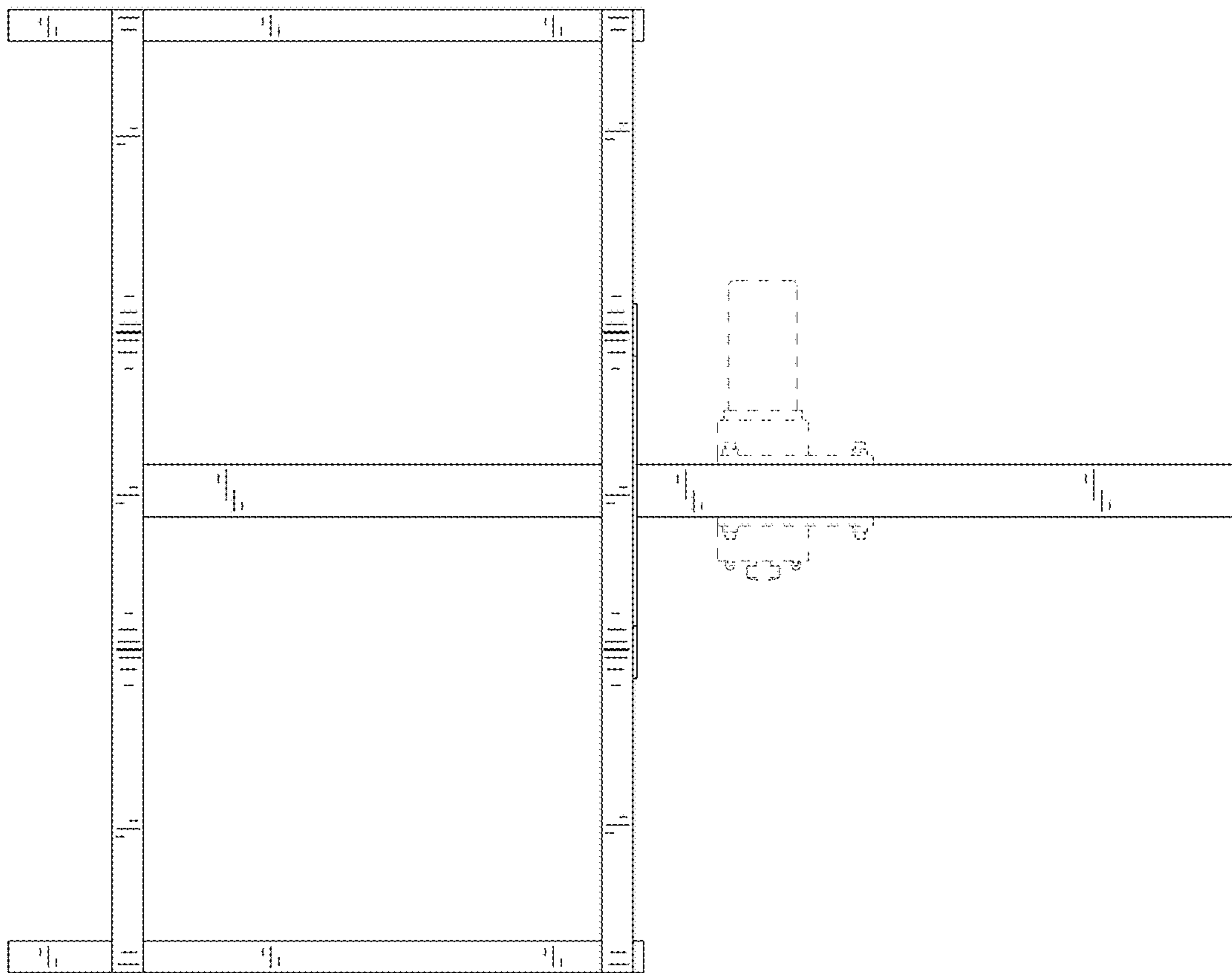


FIG. 4

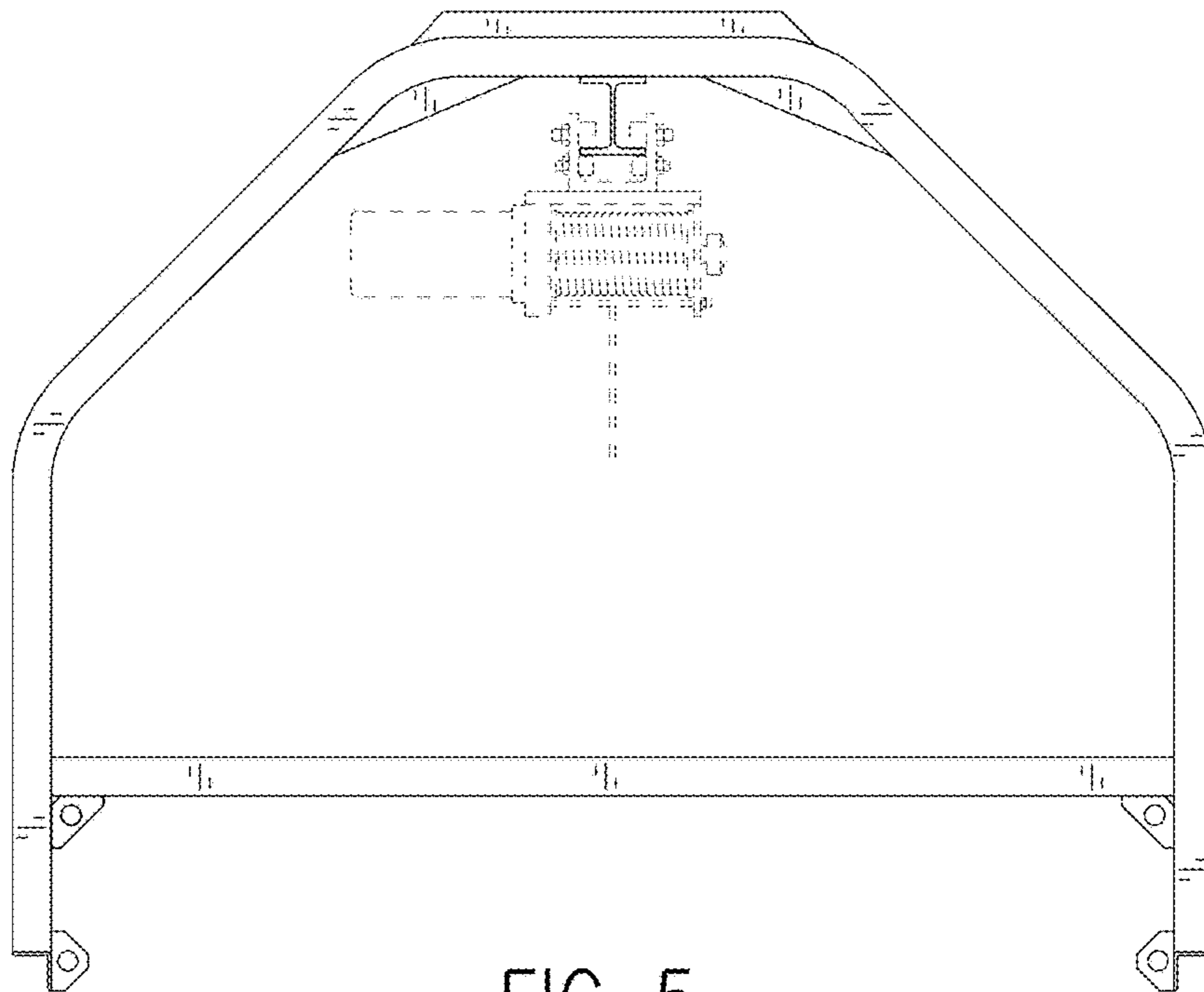


FIG. 5

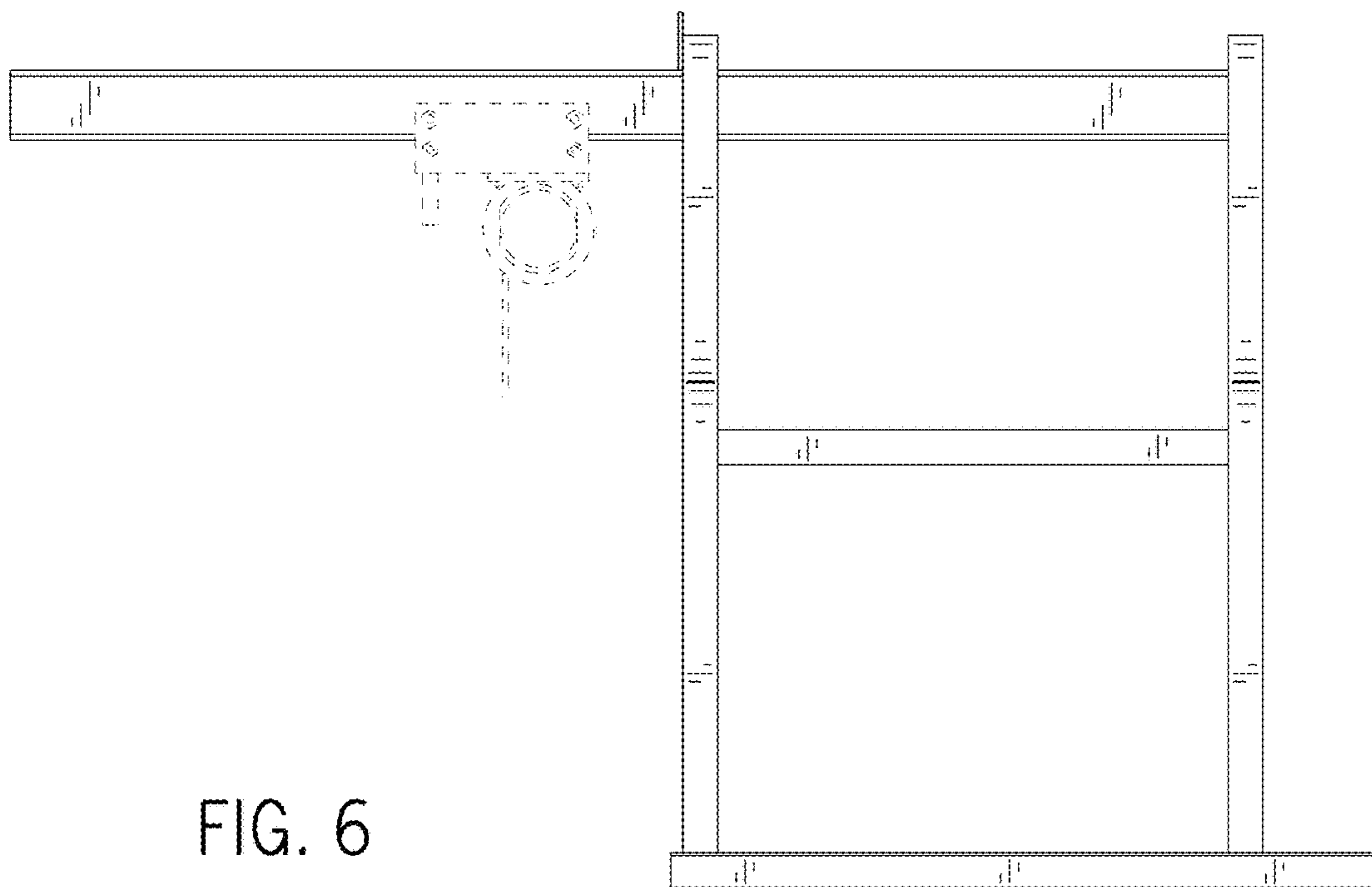


FIG. 6

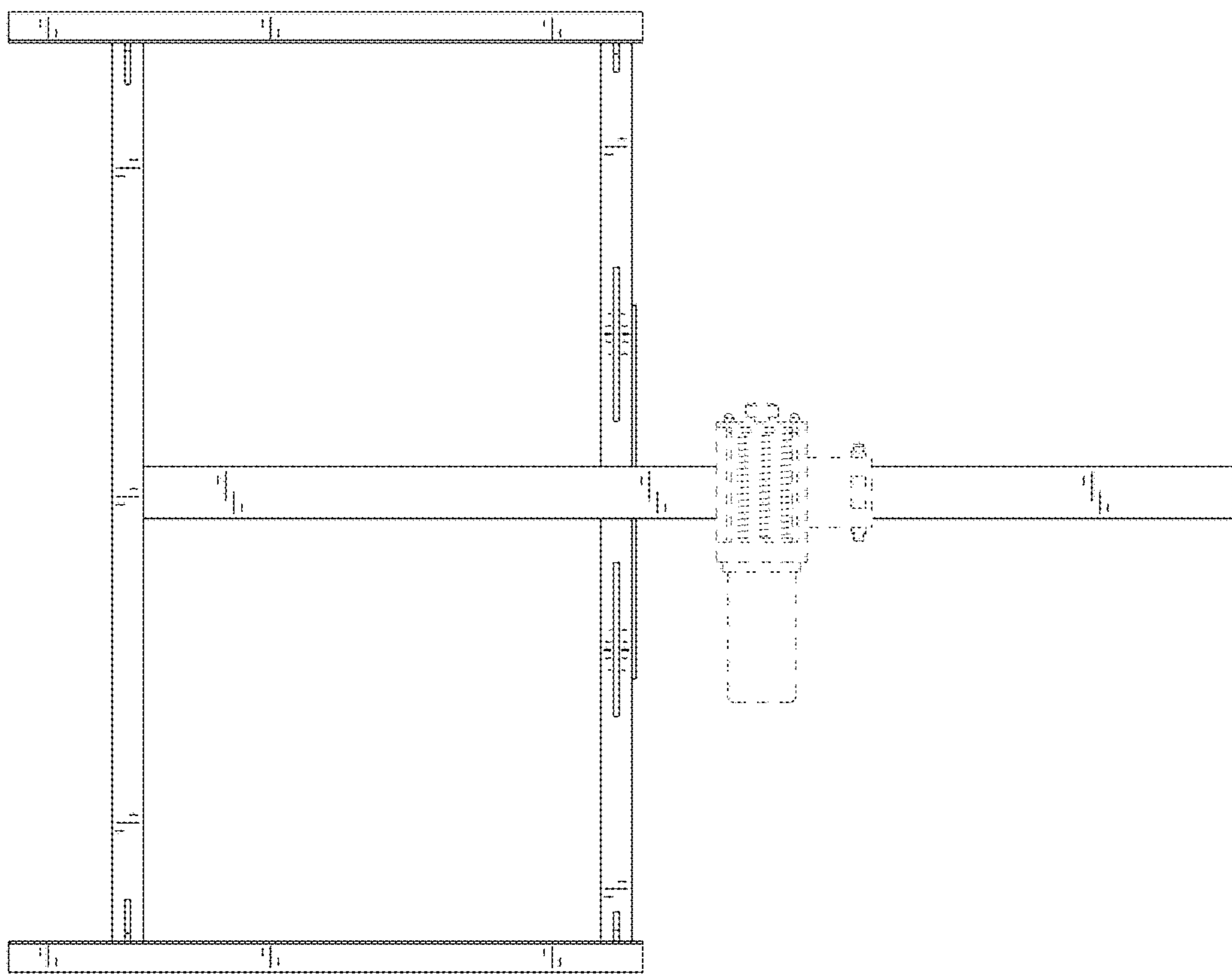


FIG. 7