



US00D813144S

(12) **United States Design Patent**
McGregor et al.

(10) **Patent No.:** **US D813,144 S**
(45) **Date of Patent:** **** Mar. 20, 2018**

(54) **PORTABLE OVERHANG FOR A RECREATIONAL VEHICLE**

D732,460 S * 6/2015 Seneker D12/403
D780,088 S * 2/2017 Gholston D12/403
D796,420 S * 9/2017 Abrams D12/403

(71) Applicants: **Kevin McGregor**, St. Louis Park, MN (US); **Benjamin Braun**, Minnetonka, MN (US)

OTHER PUBLICATIONS

Photographs of awnings identified "A"-"K" made by Canvas Craft, Inc. of Otsego, MN prior to Dec. 1, 2016.

(72) Inventors: **Kevin McGregor**, St. Louis Park, MN (US); **Benjamin Braun**, Minnetonka, MN (US)

* cited by examiner

(73) Assignee: **AWOL OUTDOORS, INC.**, Somerset, WI (US)

Primary Examiner — Katrina A Betton

(74) *Attorney, Agent, or Firm* — Steven M. Koehler; Westman, Champlin & Koehler, P.A.

(**) Term: **15 Years**

(57) **CLAIM**

The ornamental design for a portable overhang for a recreation vehicle, as shown and described.

(21) Appl. No.: **29/586,271**

DESCRIPTION

(22) Filed: **Dec. 1, 2016**

(51) **LOC (11) Cl.** **12-16**

(52) **U.S. Cl.**
USPC **D12/403**

(58) **Field of Classification Search**
USPC D12/401-405; D6/610, 611, 596, 601, D6/602, 603, 615, 617, 621; D7/332, D7/334-337
CPC E04H 15/06; B62J 19/00; B62J 1/18; B62J 1/26; B62J 1/24; B62J 1/28; B62J 1/22
See application file for complete search history.

FIG. 1 is a perspective view of a portable overhang for a recreational vehicle.
FIG. 2 is a left elevational view of a portable overhang for a recreational vehicle.
FIG. 3 is a right elevational view of a portable overhang for a recreational vehicle.
FIG. 4 is a rear elevational view of a portable overhang for a recreational vehicle.
FIG. 5 is a front elevational view of a portable overhang for a recreational vehicle.
FIG. 6 is a top plan view of a portable overhang for a recreational vehicle; and,
FIG. 7 is a bottom view of a portable overhang for a recreational vehicle.

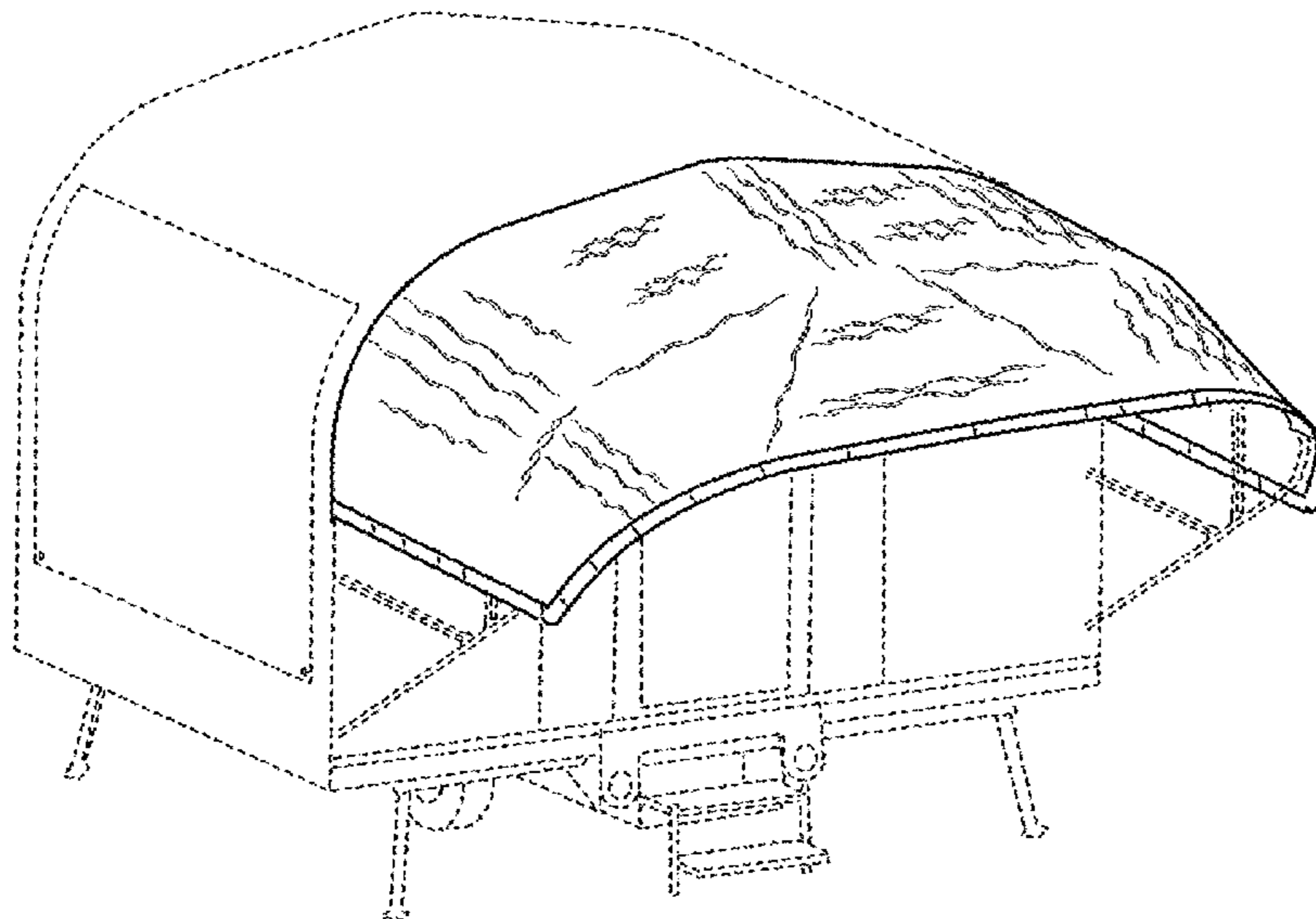
In the drawings, the broken lines depict a recreational vehicle and form no part of the claimed design. The material illustrated is intended to represent any form of material including solid, transparent, translucent, and screen materials.

(56) **References Cited**

U.S. PATENT DOCUMENTS

D382,248 S * 8/1997 Long D12/403
D397,669 S * 9/1998 Komick D12/403
D503,143 S * 3/2005 Napieraj D12/403
D516,497 S * 3/2006 Napieraj D12/403
D583,746 S * 12/2008 Napieraj D12/403
D583,747 S * 12/2008 Napieraj D12/403
D651,678 S * 1/2012 Muggleton D12/402

1 Claim, 4 Drawing Sheets



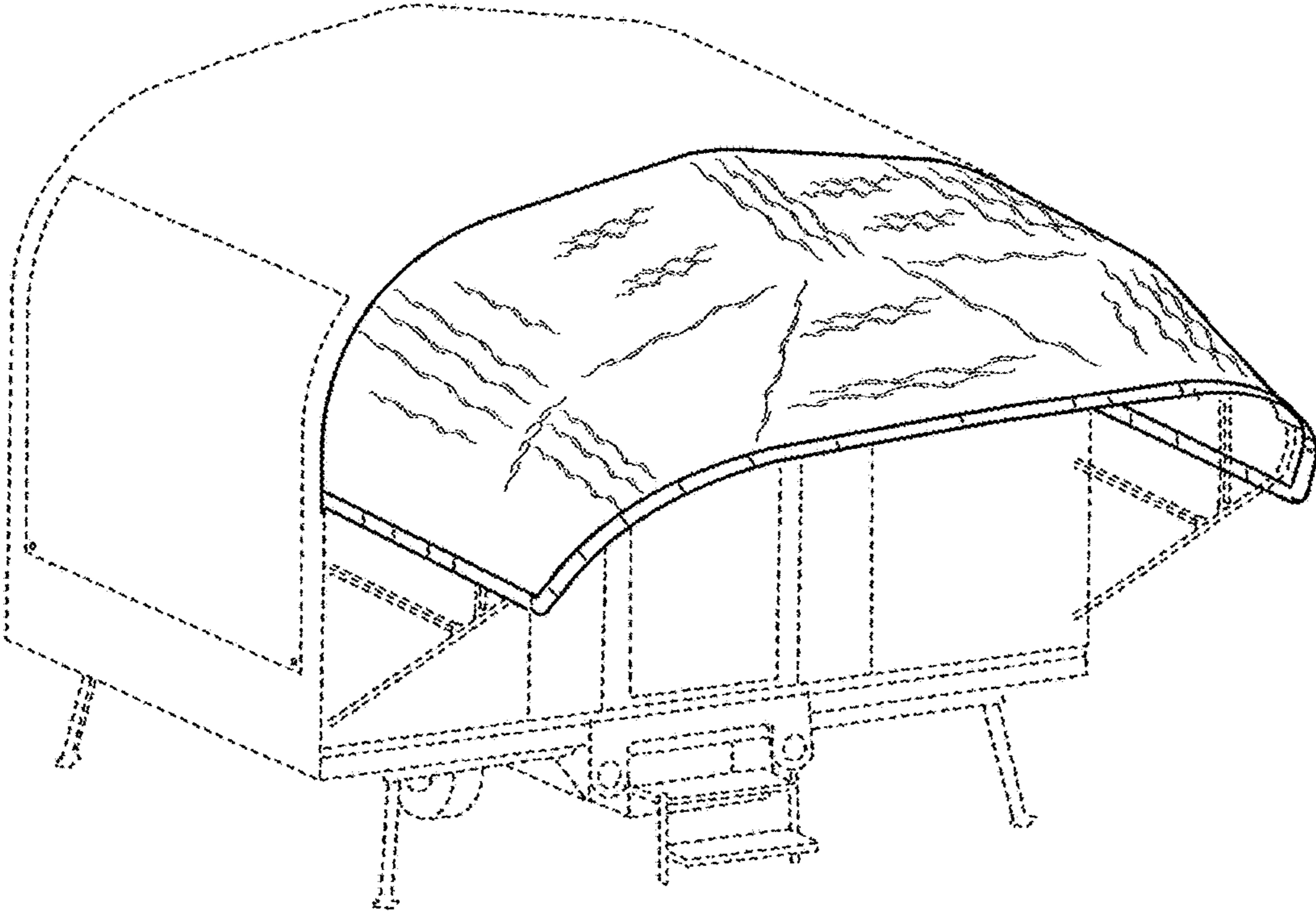


FIG. 1

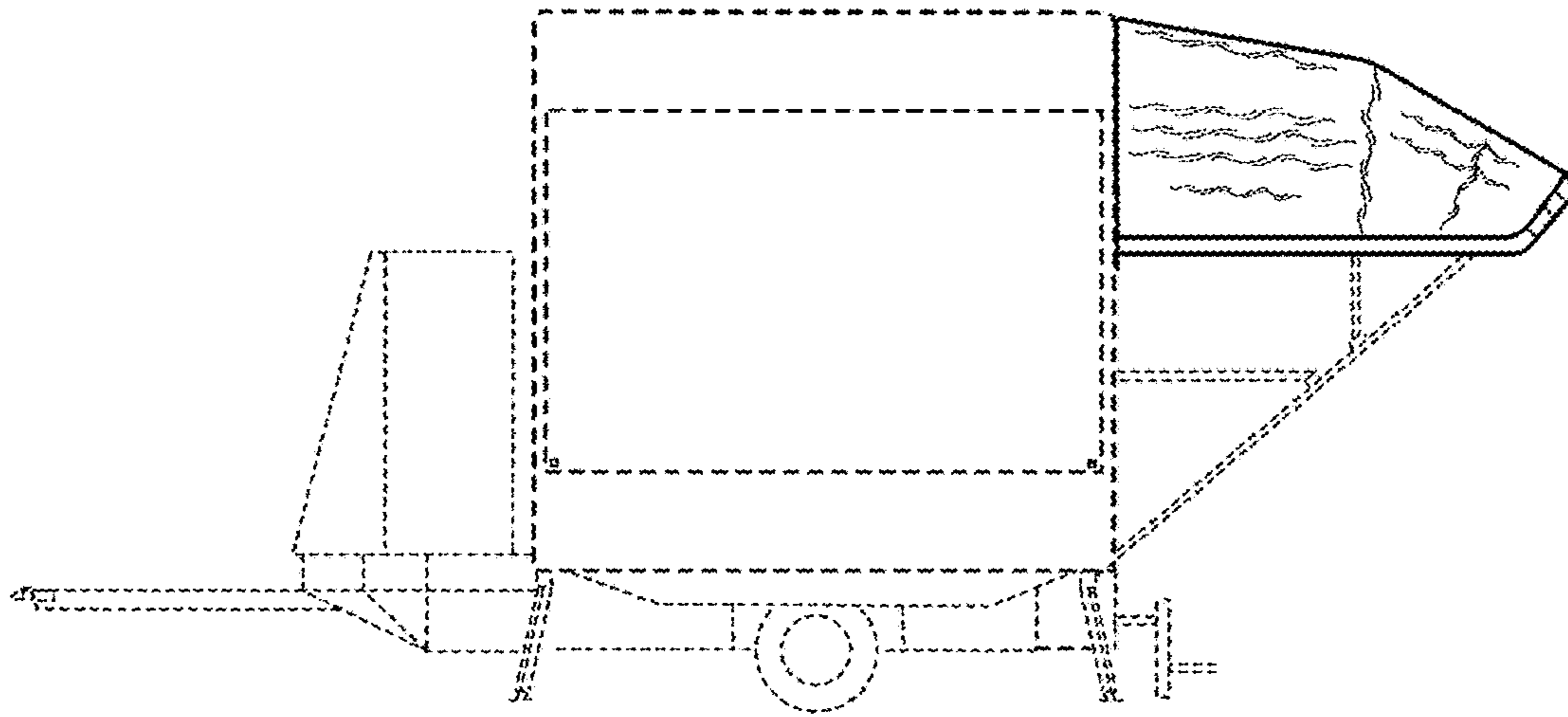


FIG. 2

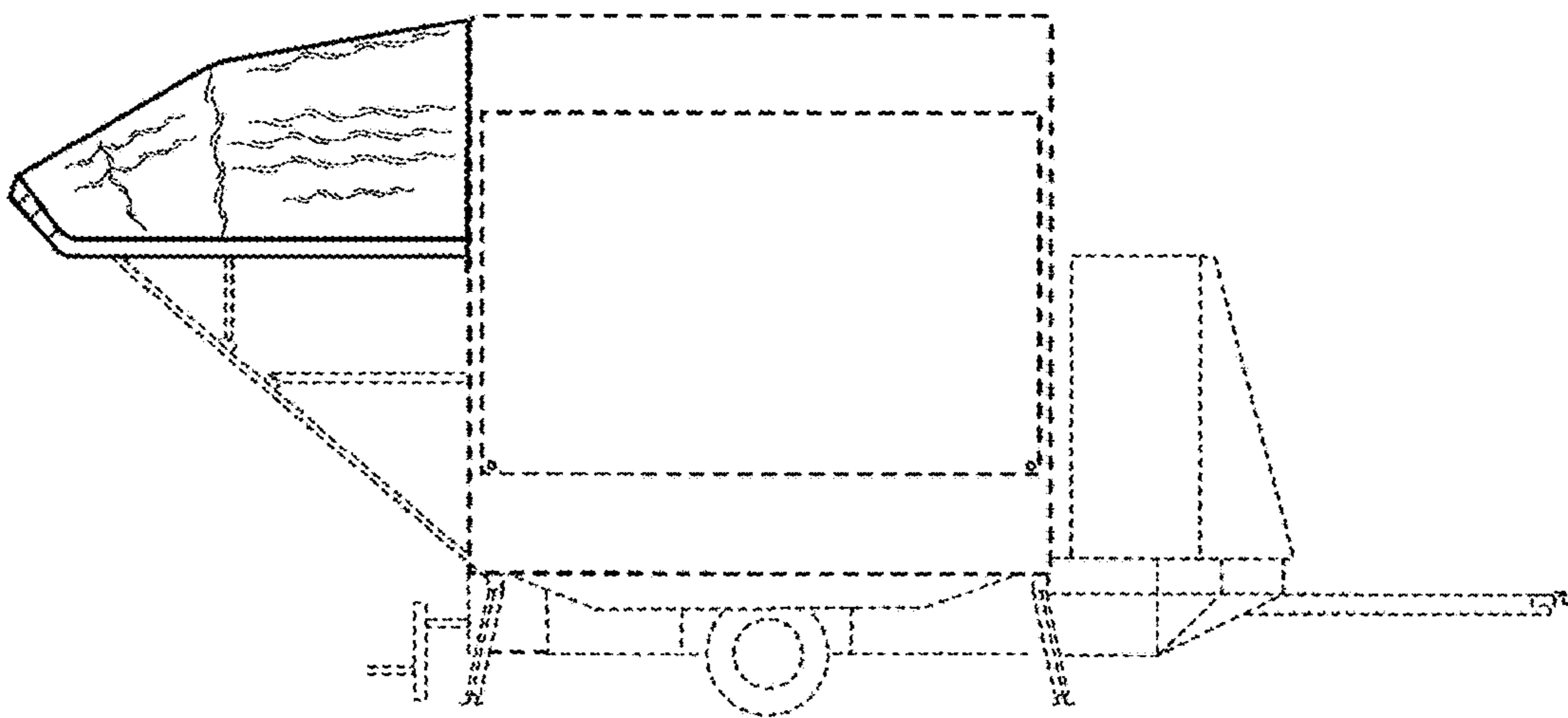


FIG. 3

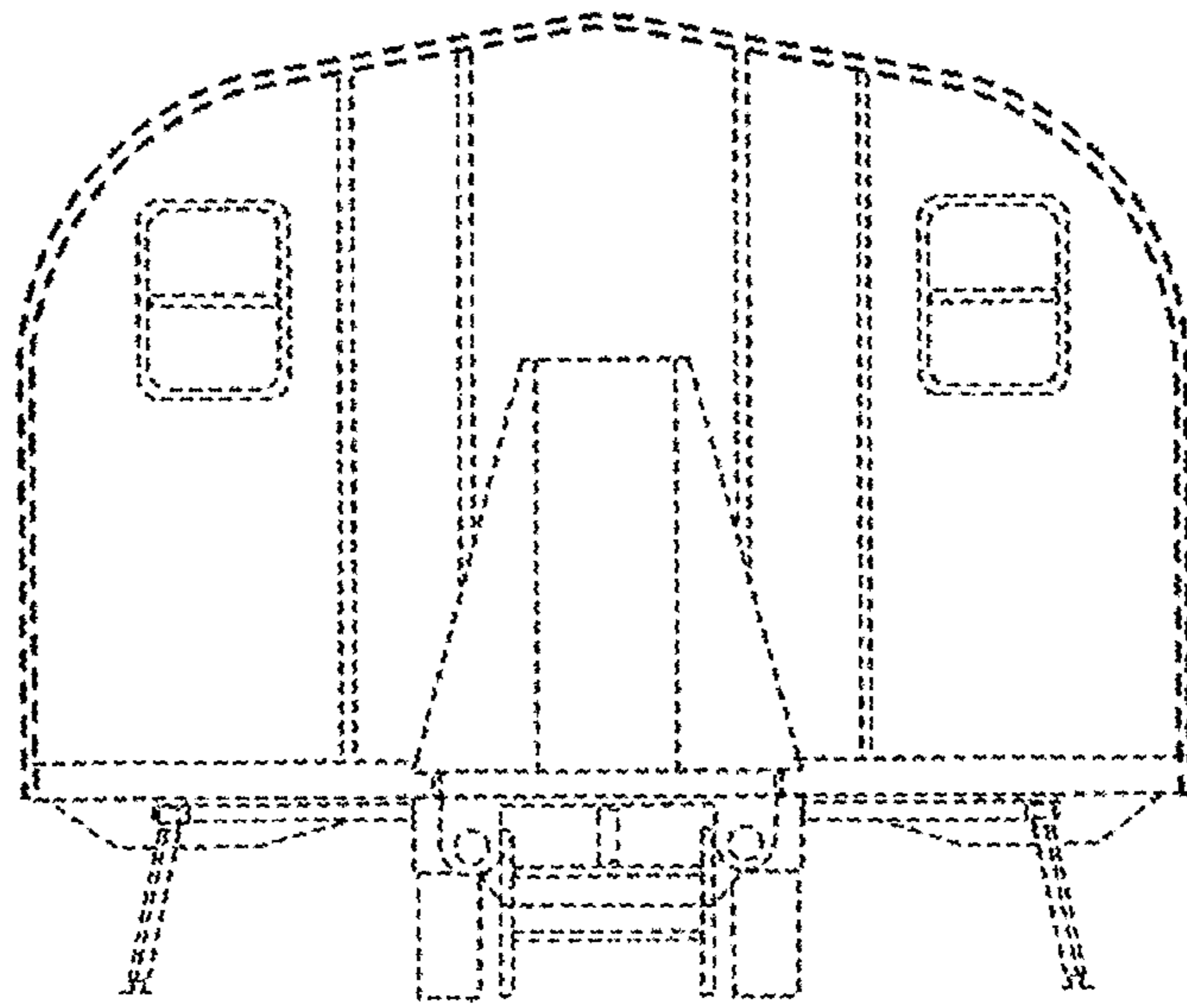


FIG. 4

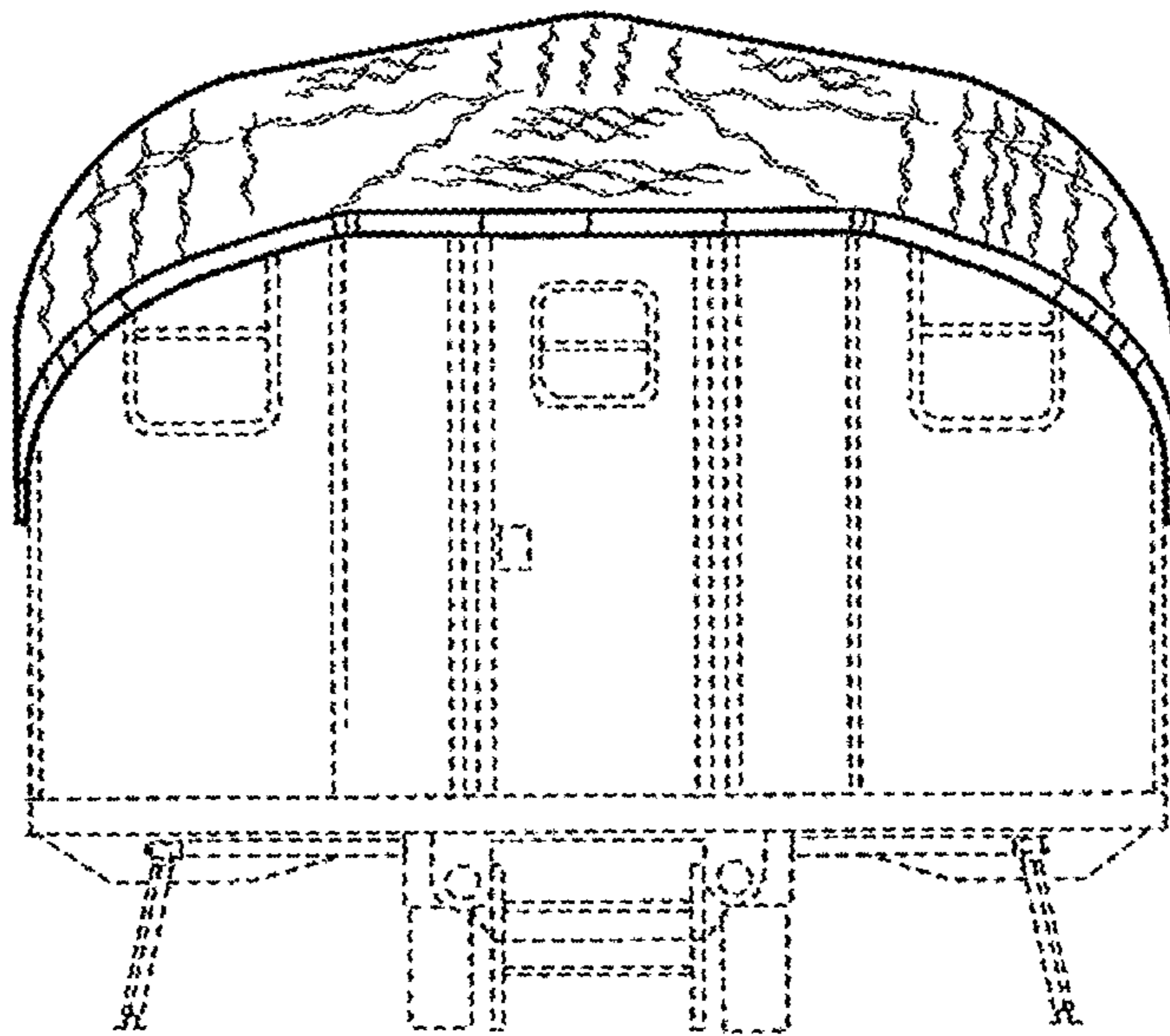


FIG. 5

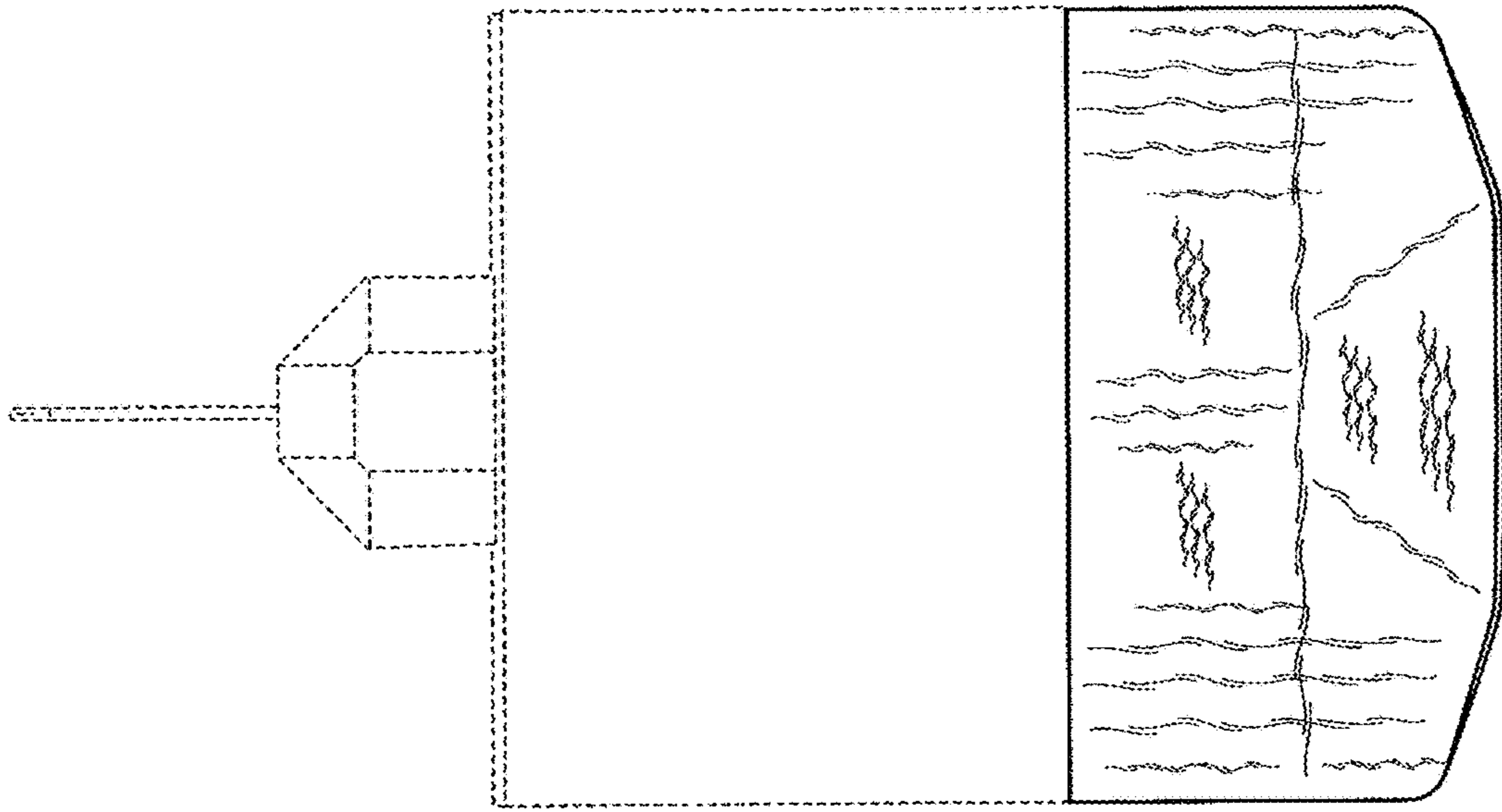


FIG. 6

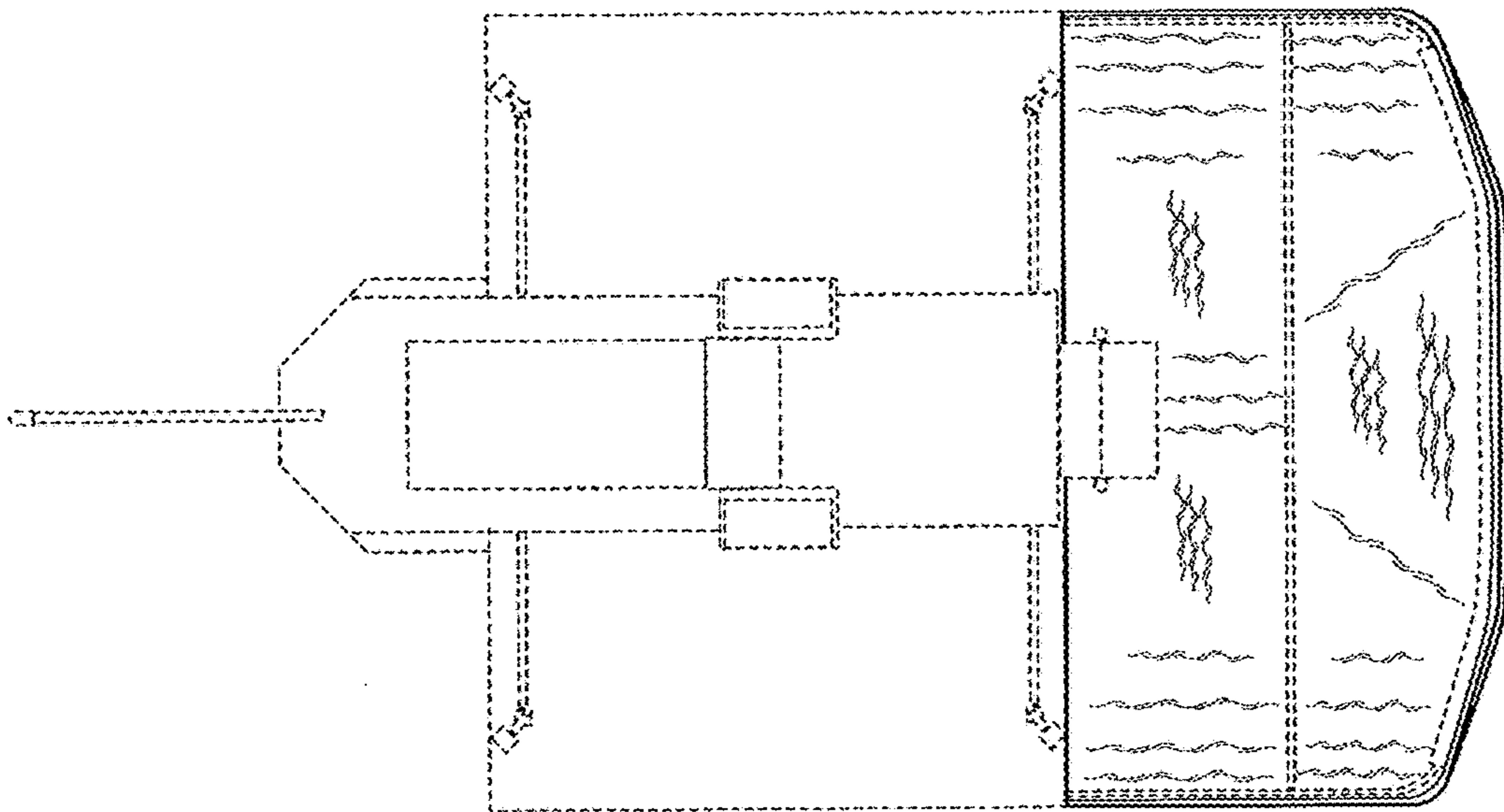


FIG. 7