



US00D813143S

(12) **United States Design Patent** (10) **Patent No.:** **US D813,143 S**  
**Belik et al.** (45) **Date of Patent:** **\*\* Mar. 20, 2018**

(54) **VERTICAL TAKE-OFF AND LANDING (VTOL) WINGED AIR VEHICLE WITH COMPLEMENTARY ANGLED ROTORS**

(71) Applicant: **AeroVironment, Inc.**, Monrovia, CA (US)

(72) Inventors: **Pavel Belik**, Simi Valley, CA (US); **Andrew Logan**, Thousand Oaks, CA (US); **Henry Won**, Simi Valley, CA (US); **Jeremy Tyler**, Thousand Oaks, CA (US)

(73) Assignee: **AeroVironment, Inc.**, Monrovia, CA (US)

(\*\*) Term: **15 Years**

(21) Appl. No.: **29/583,481**

(22) Filed: **Nov. 4, 2016**

(51) **LOC (11) Cl.** ..... **12-07**

(52) **U.S. Cl.**  
USPC ..... **D12/326**

(58) **Field of Classification Search**  
USPC ..... D12/3, 16.1, 319-345; D21/436-455  
CPC ..... B64C 39/024; B64C 2201/108  
See application file for complete search history.

(56) **References Cited**

U.S. PATENT DOCUMENTS

D137,661 S *	4/1944	Sheffield	.....	244/101
D169,962 S *	7/1953	Burnelli	.....	D12/333
D219,042 S *	10/1970	King	.....	D21/448
D220,983 S *	6/1971	Webb	.....	244/155 R
D230,717 S *	3/1974	Smith	.....	D12/341
D277,976 S *	3/1985	Holloway	.....	D12/16.1
D337,751 S *	7/1993	Silva	.....	D12/324
D363,696 S *	10/1995	Kroo	.....	D12/331
D367,253 S *	2/1996	Albion	.....	D12/326
D371,536 S *	7/1996	Jones	.....	D12/333

D475,340 S *	6/2003	Arata	.....	D12/319
D499,689 S *	12/2004	Han	.....	D12/319
D500,730 S *	1/2005	Bye	.....	D12/319
D501,178 S *	1/2005	Han	.....	D12/319
D504,654 S *	5/2005	Graham	.....	D12/319
D508,013 S *	8/2005	Rihn	.....	D12/319
D532,742 S *	11/2006	Pan	.....	D12/319
D559,761 S *	1/2008	Au	.....	D12/319
D559,762 S *	1/2008	Au	.....	D12/319
D573,939 S *	7/2008	Las Heras	.....	D12/319
D583,295 S *	12/2008	Au	.....	D12/343
D588,519 S *	3/2009	Westra	.....	D12/319
D597,472 S *	8/2009	Cazals	.....	D12/319
D610,066 S *	2/2010	Au	.....	D12/345
D616,352 S *	5/2010	Schafroth	.....	D12/319
D616,804 S *	6/2010	Manley	.....	D12/319
D616,805 S *	6/2010	Zha	.....	D12/343

(Continued)

*Primary Examiner* — Robert M. Spear

*Assistant Examiner* — Marissa J Cash

(74) *Attorney, Agent, or Firm* — Pejman Yedidsion; Michael Zarrabian; Eric Aagaard

(57) **CLAIM**

The ornamental design for a vertical take-off and landing (VTOL) winged air vehicle with complementary angled rotors, as shown and described.

**DESCRIPTION**

FIG. 1 is a front perspective view of a vertical take-off and landing (VTOL) winged air vehicle with complementary angled rotors showing our new design; FIG. 2 is a rear perspective view of the embodiment of FIG. 1;

FIG. 3 is a front elevational view of FIG. 1;

FIG. 4 is a rear elevational view of FIG. 1;

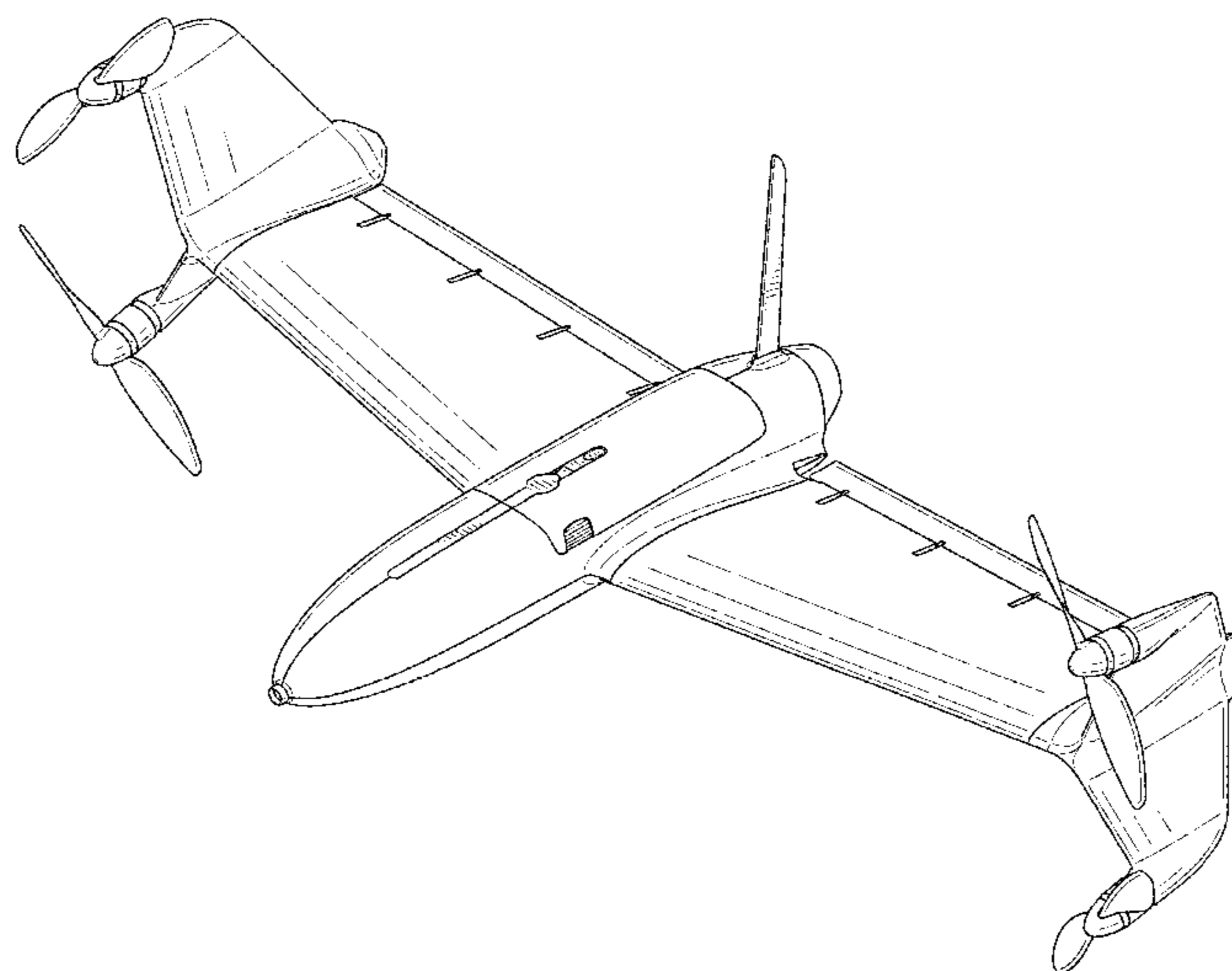
FIG. 5 is a right side elevational view of FIG. 1;

FIG. 6 is a left side elevational view of FIG. 1;

FIG. 7 is top plan view of FIG. 1; and,

FIG. 8 is a bottom plan view of FIG. 1.

**1 Claim, 6 Drawing Sheets**



(56)

**References Cited**

## U.S. PATENT DOCUMENTS

D620,392 S \* 7/2010 Rodriguez ..... D12/3  
D625,679 S \* 10/2010 Stinemetze ..... D12/319  
D626,056 S \* 10/2010 Garreau ..... D12/326  
D628,528 S \* 12/2010 Cabezas Carrasco ..... D12/319  
D635,083 S \* 3/2011 DeLaurier ..... D12/319  
D642,968 S \* 8/2011 Zhao ..... D12/344  
D651,156 S \* 12/2011 Gundlach ..... D12/319  
D665,331 S \* 8/2012 Sands ..... D12/319  
D708,563 S \* 7/2014 Colten ..... D12/319  
D717,227 S \* 11/2014 Herzberger ..... D12/324  
D725,576 S \* 3/2015 Vickers ..... D12/3  
D733,030 S \* 6/2015 Navarro-Machado ..... D12/319  
D736,140 S \* 8/2015 Moller ..... D12/326  
D738,438 S \* 9/2015 Cummings ..... D21/447  
D739,807 S \* 9/2015 Strand ..... D12/324  
D783,453 S \* 4/2017 Klick ..... D12/16.1  
D787,983 S \* 5/2017 Fargeau ..... D12/16.1  
D795,160 S \* 8/2017 Koppenwallner ..... D12/343  
D795,784 S \* 8/2017 Guo ..... D12/328  
D799,402 S \* 10/2017 Cummings ..... D12/327  
2017/0190443 A1 \* 7/2017 Fisher ..... B64F 1/005  
2017/0305564 A1 \* 10/2017 Pan ..... B64D 27/24

\* cited by examiner

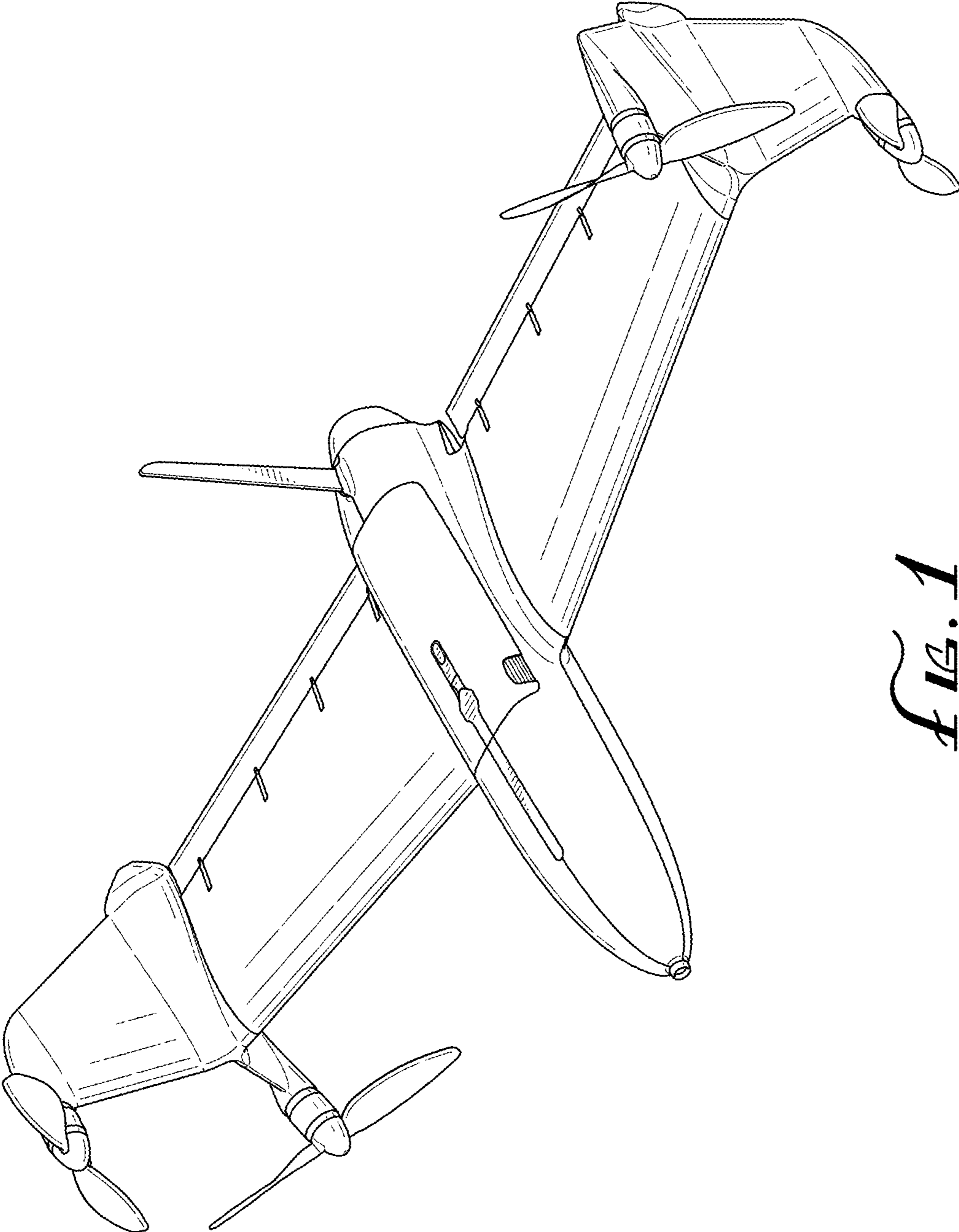


FIG. 1

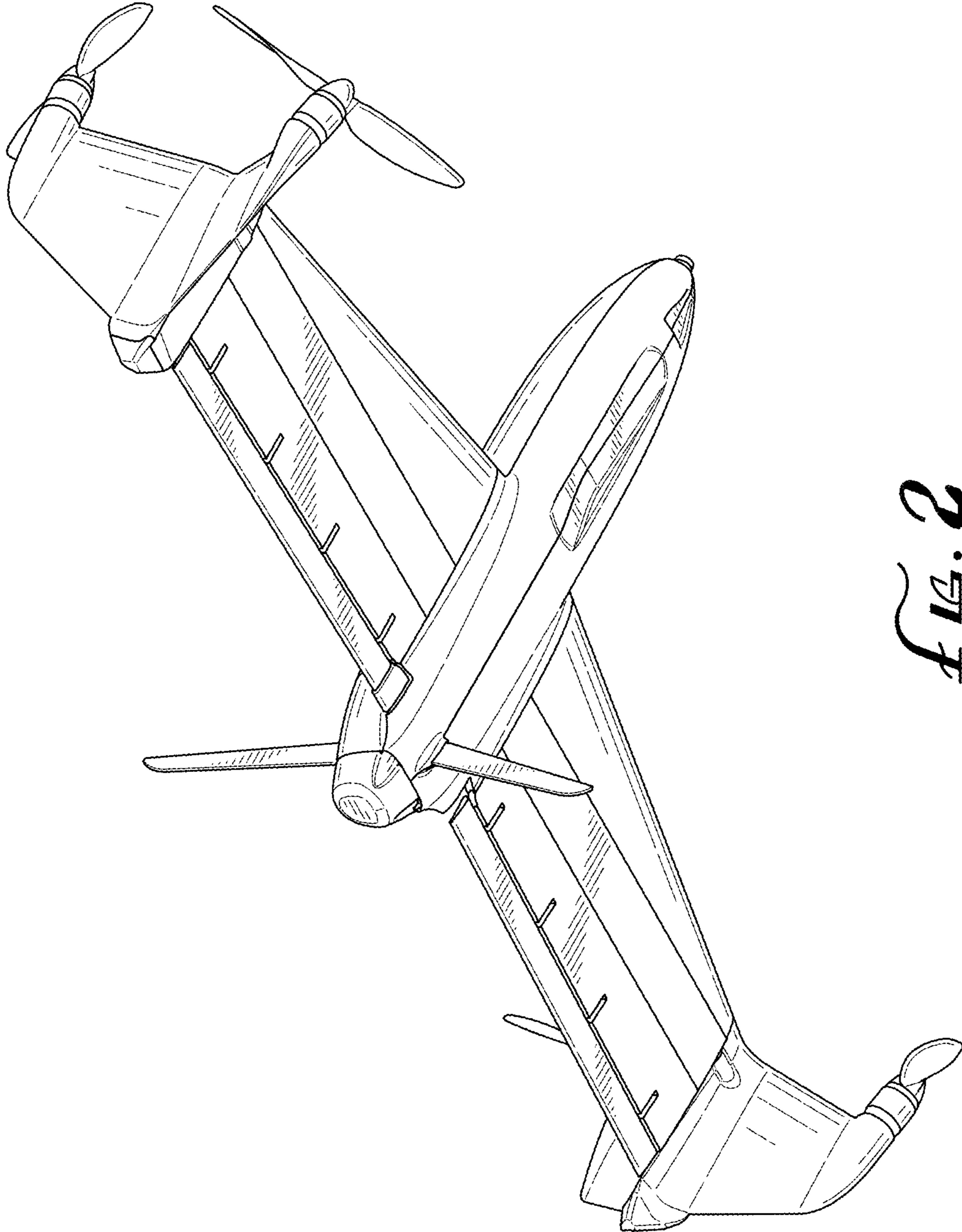


FIG. 2

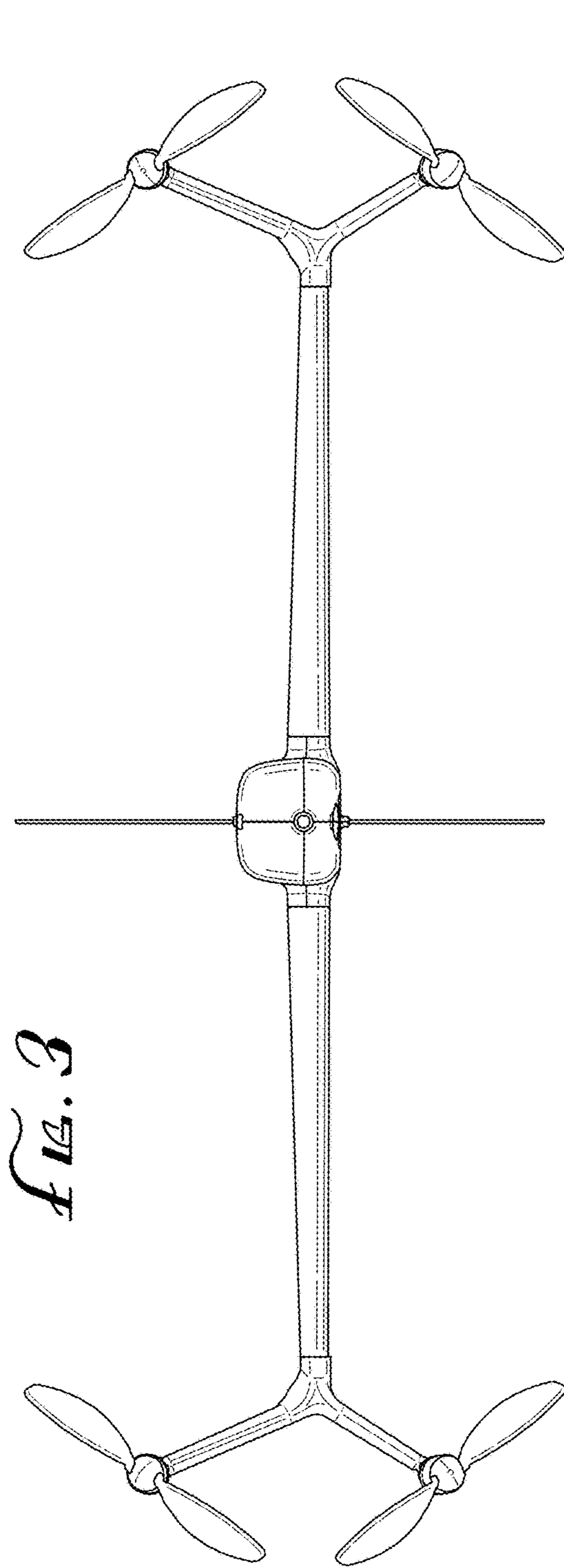


FIG. 3

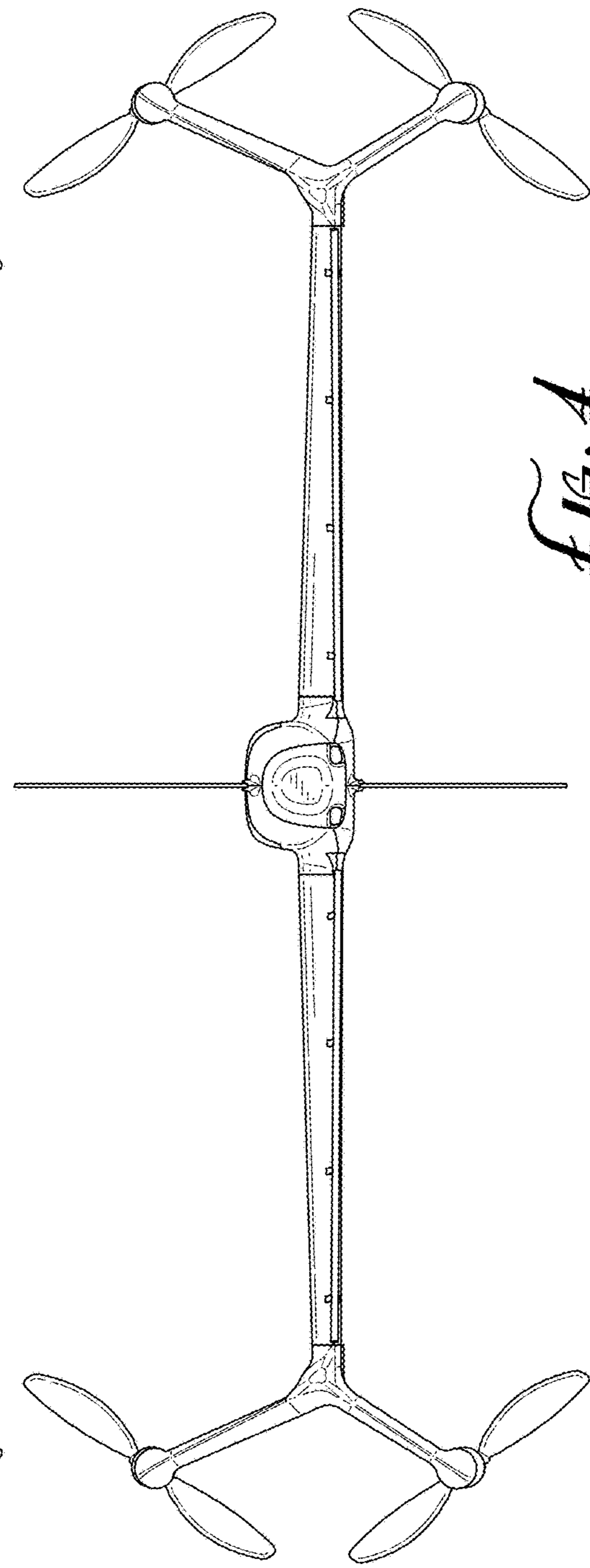
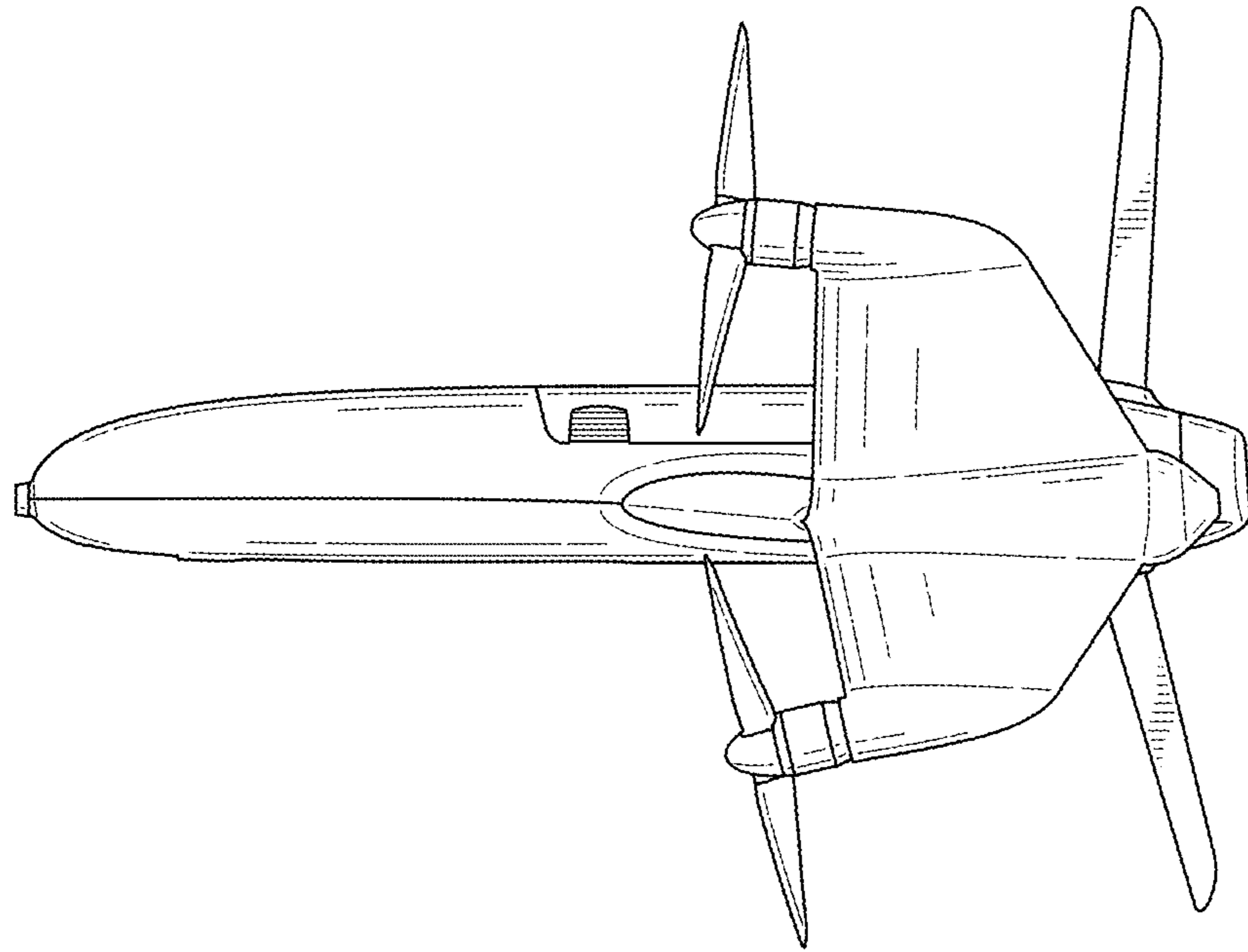
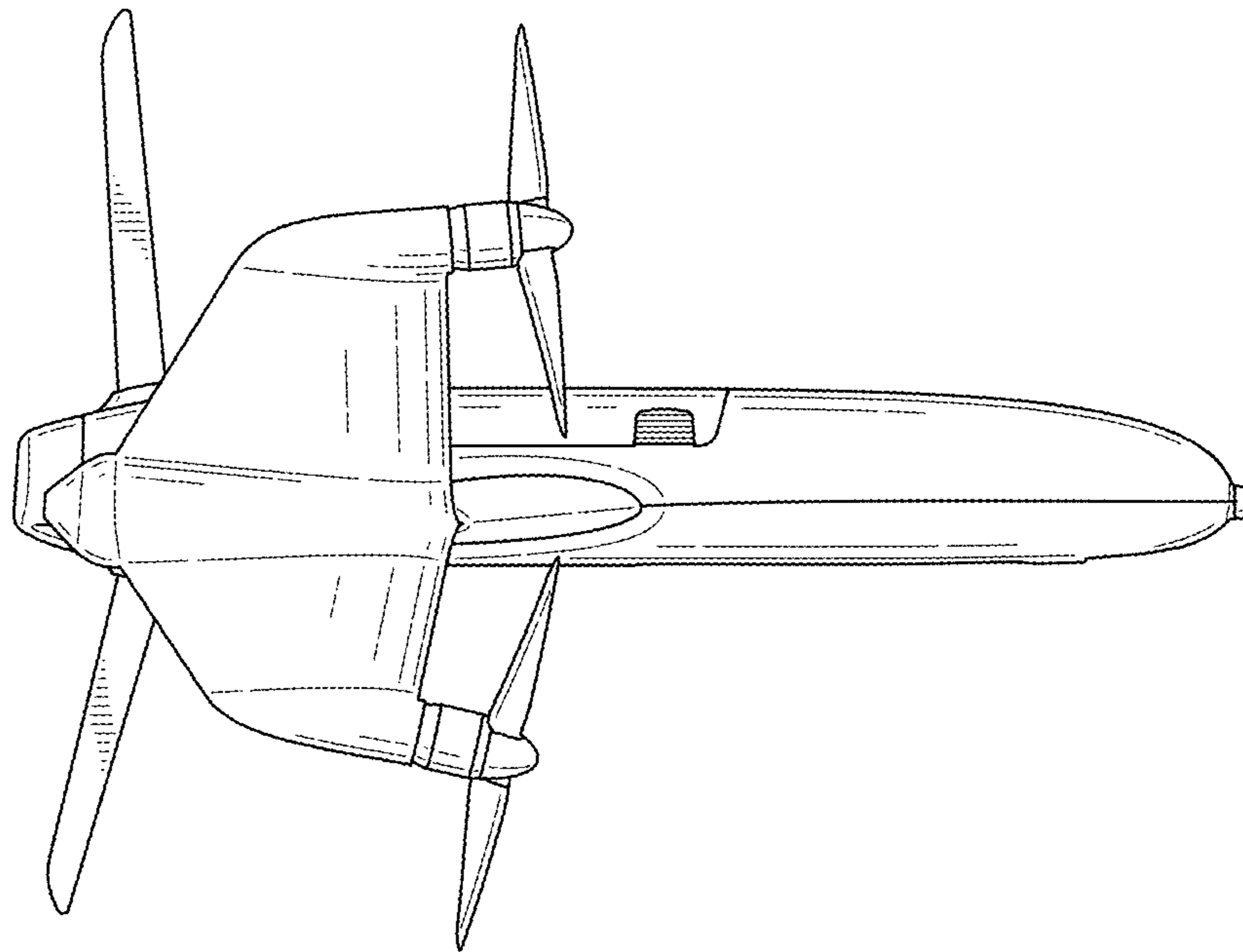


FIG. 4



*FIG. 5*



*FIG. 6*

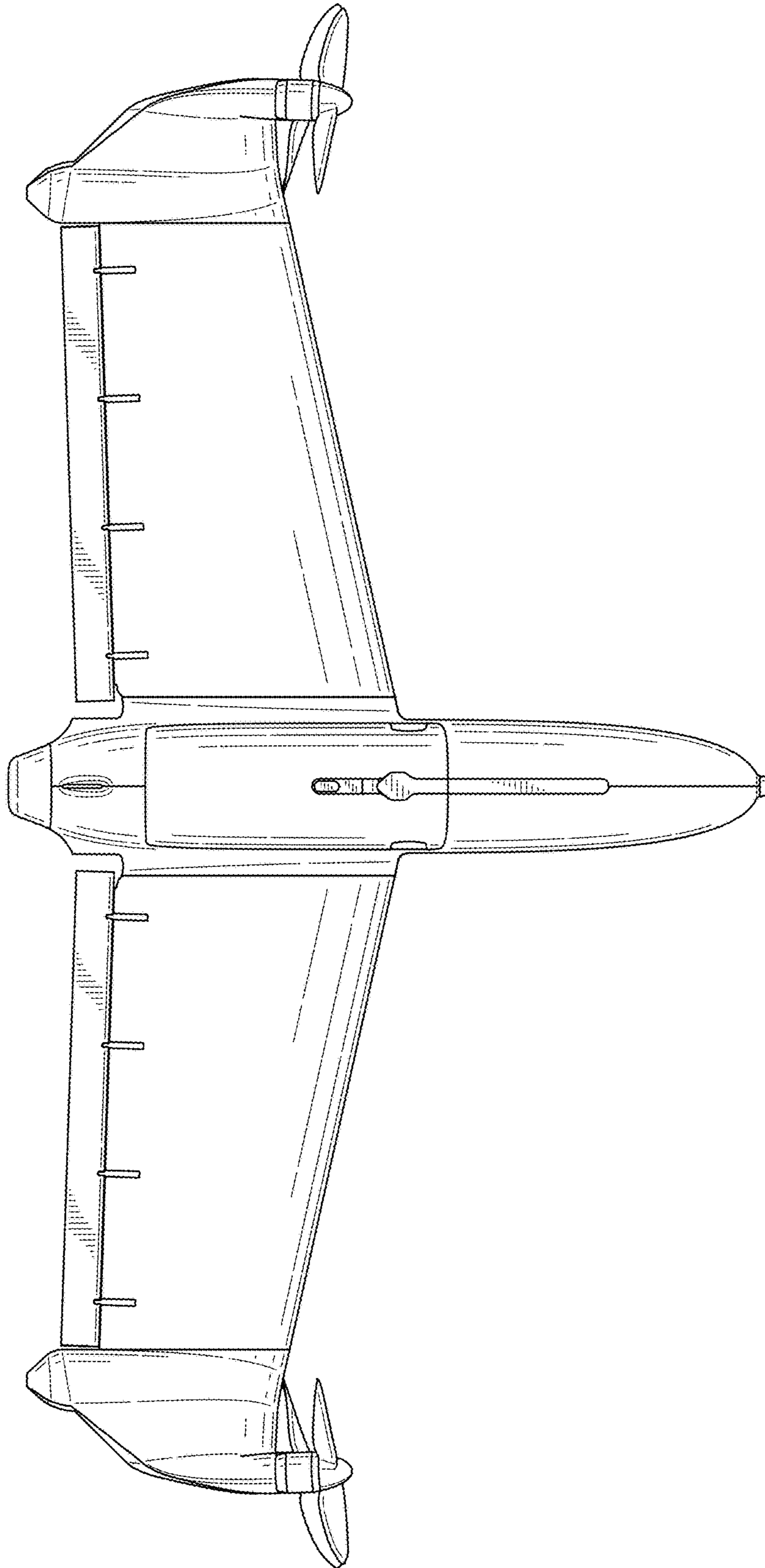


FIG. 7

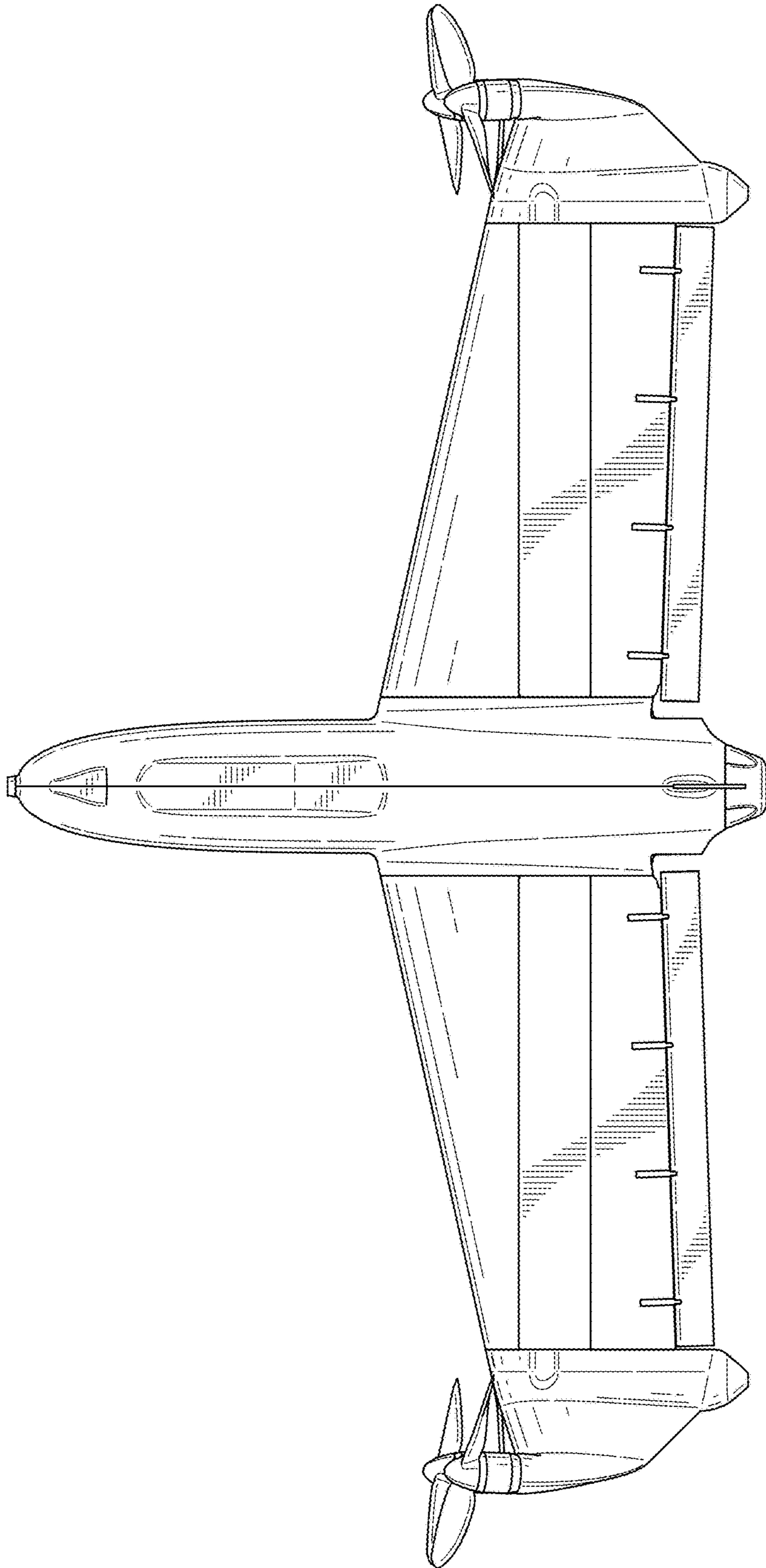


FIG. 8